



US00D871060S

(12) **United States Design Patent** (10) **Patent No.:** **US D871,060 S**
Lemaire (45) **Date of Patent:** **** Dec. 31, 2019**

(54) **HANDBAG**
 (71) Applicant: **LOUIS VUITTON MALLETIER**,
 Paris (FR)
 (72) Inventor: **Alice Lemaire**, Paris (FR)
 (73) Assignee: **LOUIS VUITTON MALLETIER**,
 Paris (FR)
 (**) Term: **15 Years**
 (21) Appl. No.: **29/616,268**

D656,313 S * 3/2012 Dumas D3/243
 D659,393 S * 5/2012 Hermann D3/245
 D694,006 S * 11/2013 Della Valle D3/245
 D759,373 S * 6/2016 Spaziani D3/232
 D772,566 S * 11/2016 Slimane D3/245
 D779,197 S * 2/2017 Gale D3/243
 D783,277 S * 4/2017 Spaziani D3/245
 D787,181 S * 5/2017 Gale D3/245
 D790,214 S * 6/2017 Gale D3/243
 D799,209 S * 10/2017 Spaziani D3/245
 D807,032 S * 1/2018 Agazzi D3/243
 D818,265 S * 5/2018 Hawkes D3/232
 D818,266 S * 5/2018 Hawkes D3/232
 D835,905 S * 12/2018 Sassi D3/243

* cited by examiner

(22) Filed: **Sep. 5, 2017**
 (30) **Foreign Application Priority Data**
 Mar. 7, 2017 (FR) 2017-1192
 (51) **LOC (12) Cl.** **03-01**
 (52) **U.S. Cl.**
 USPC **D3/243**
 (58) **Field of Classification Search**
 USPC D3/232-253, 273-277, 292, 303, 304,
 D3/285, 287, 318
 CPC .. A45C 1/024; A45C 3/04; A45C 3/06; A45C
 3/08; A45C 3/10; A45C 7/0059; A45C
 7/0077; A45C 13/08; A45C 13/26; A45C
 2001/083
 See application file for complete search history.

Primary Examiner — Cathron C Brooks
 (74) *Attorney, Agent, or Firm* — Fross Zelnick Lehrman
 & Zissu, P.C.; Charles T. J. Weigell, Esq.

(57) **CLAIM**
 The ornamental design for a handbag, as shown and
 described.

(56) **References Cited**
 U.S. PATENT DOCUMENTS
 D594,654 S * 6/2009 Guyon D3/245
 D618,909 S * 7/2010 Gaultier D3/243

DESCRIPTION
 FIG. 1 is a front perspective view of a handbag showing my
 new design;
 FIG. 2 is a front view thereof;
 FIG. 3 is a back view thereof;
 FIG. 4 is a left side view thereof;
 FIG. 5 is a right side view thereof;
 FIG. 6 is a top view thereof; and,
 FIG. 7 is a bottom view thereof.
 The dashed lines in the drawings illustrate stitching and
 form part of the claimed design.

1 Claim, 7 Drawing Sheets





FIG. 1

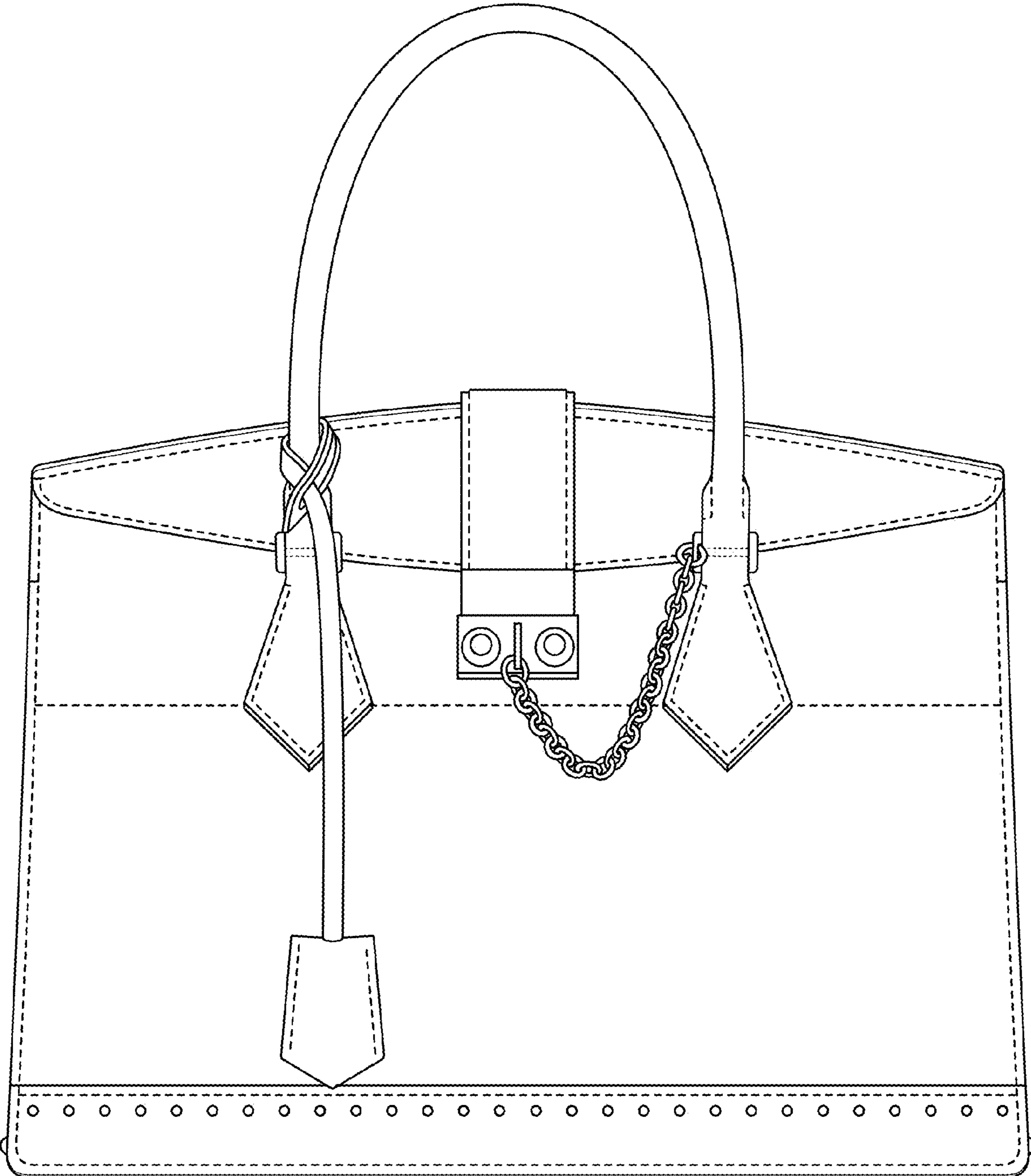


FIG. 2

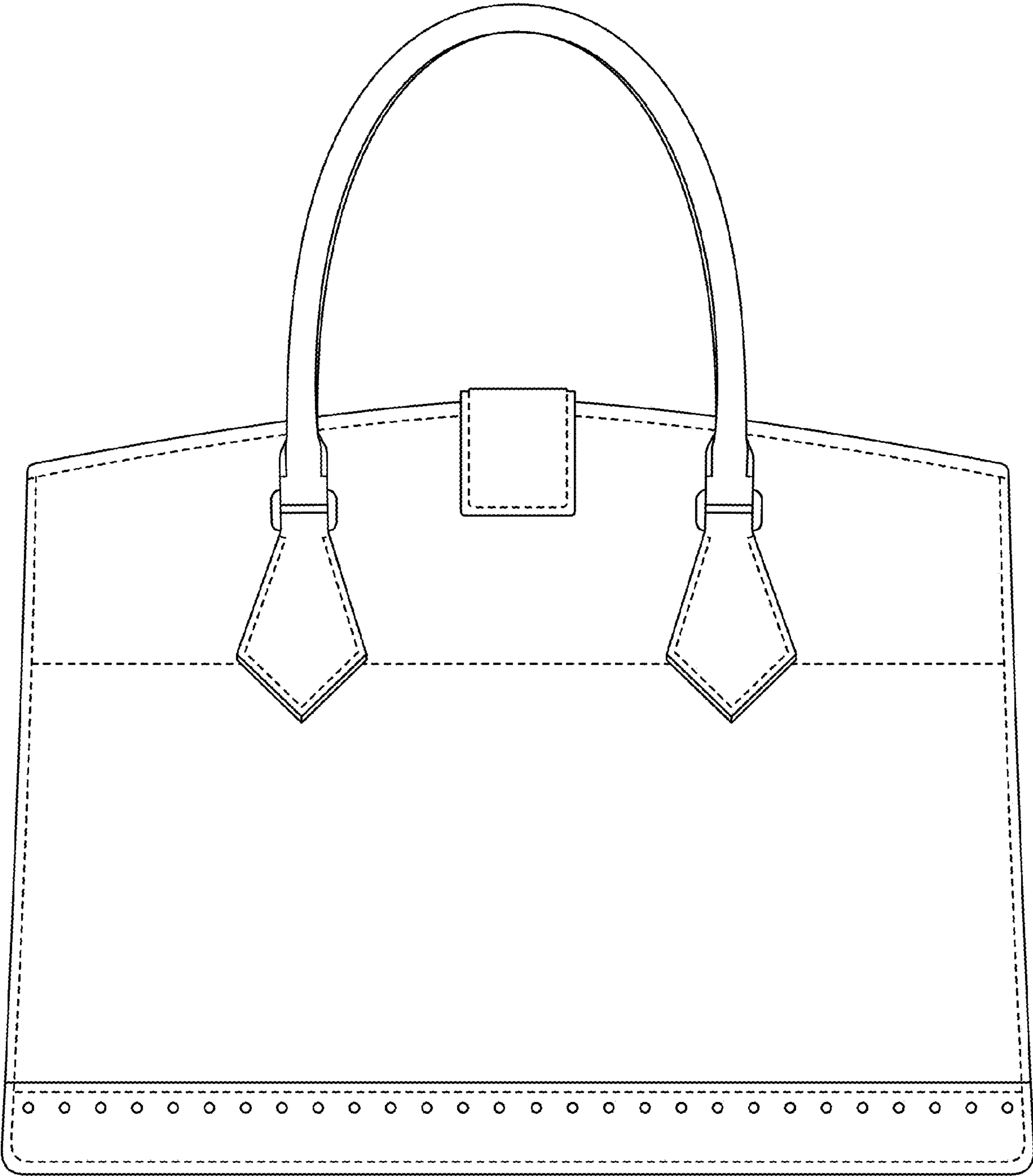


FIG. 3

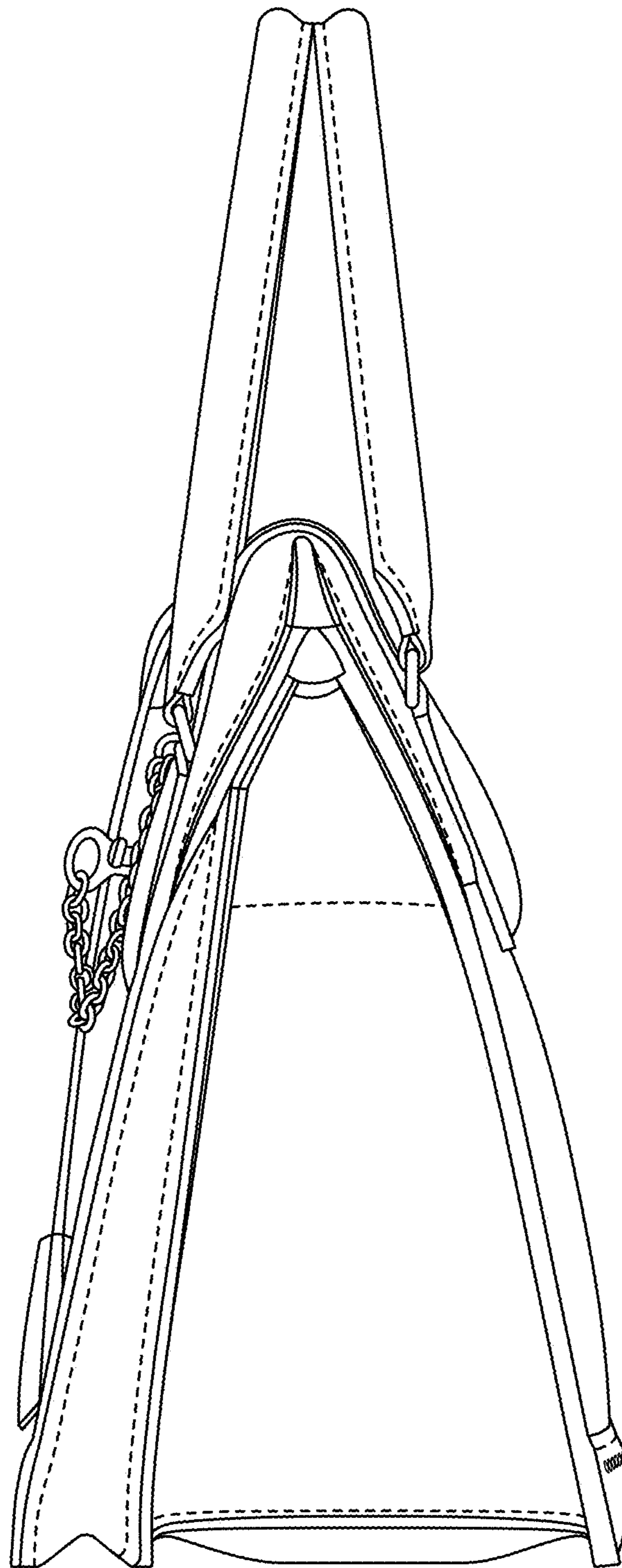


FIG. 4

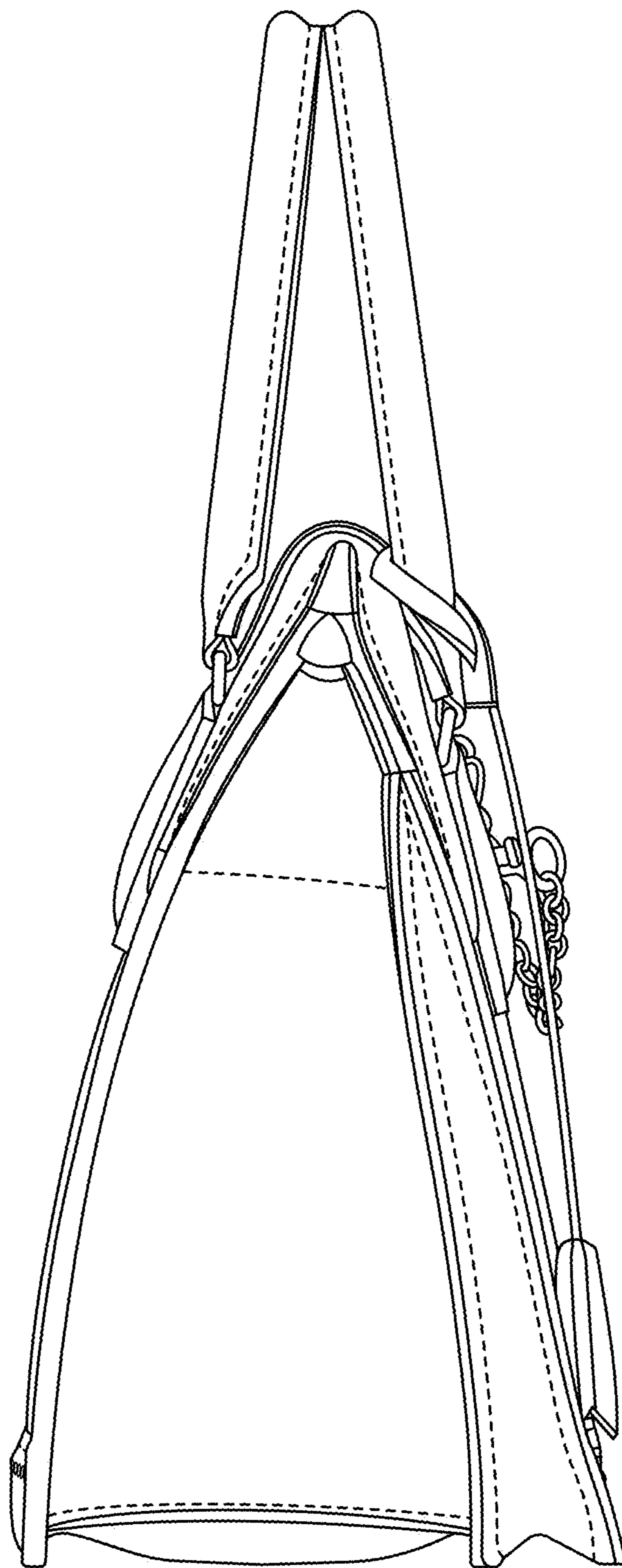


FIG. 5

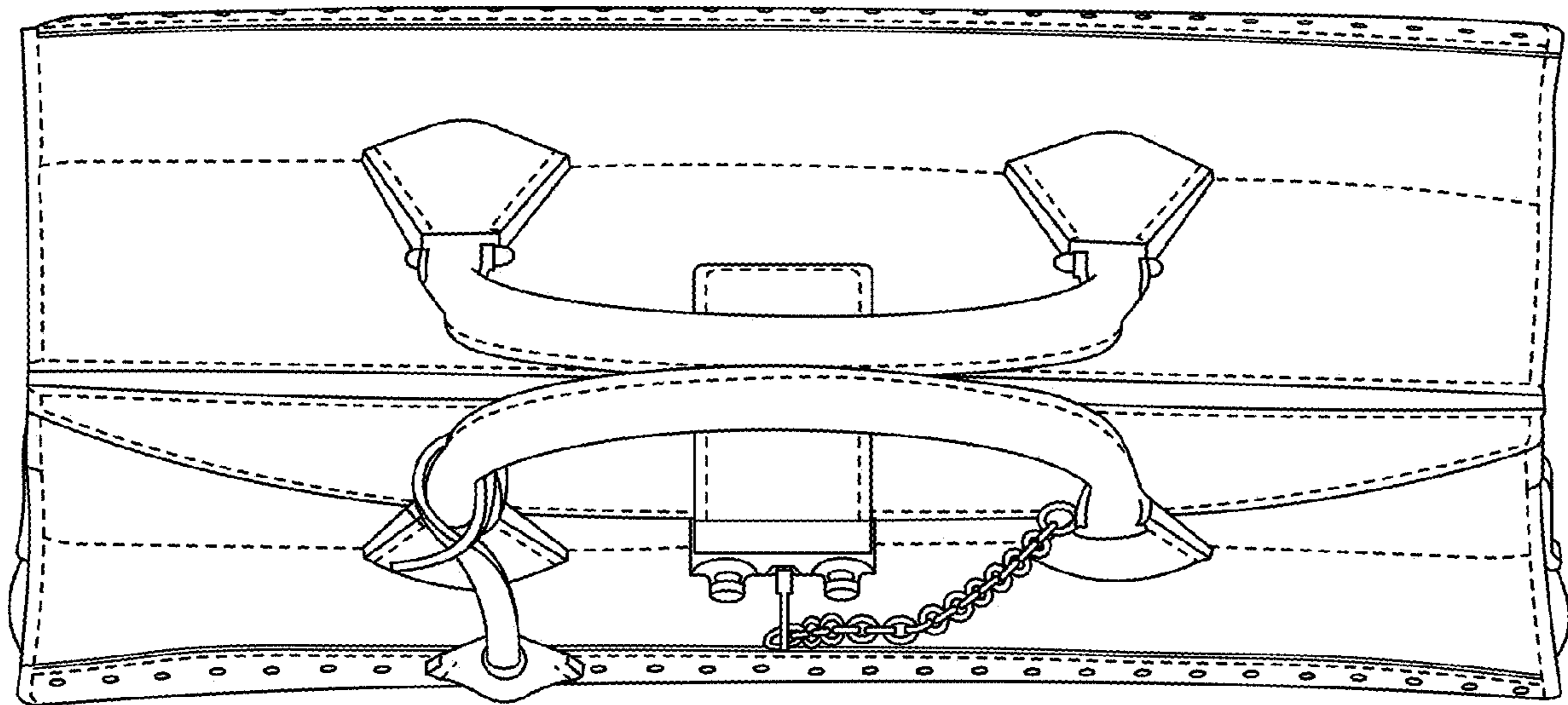


FIG. 6

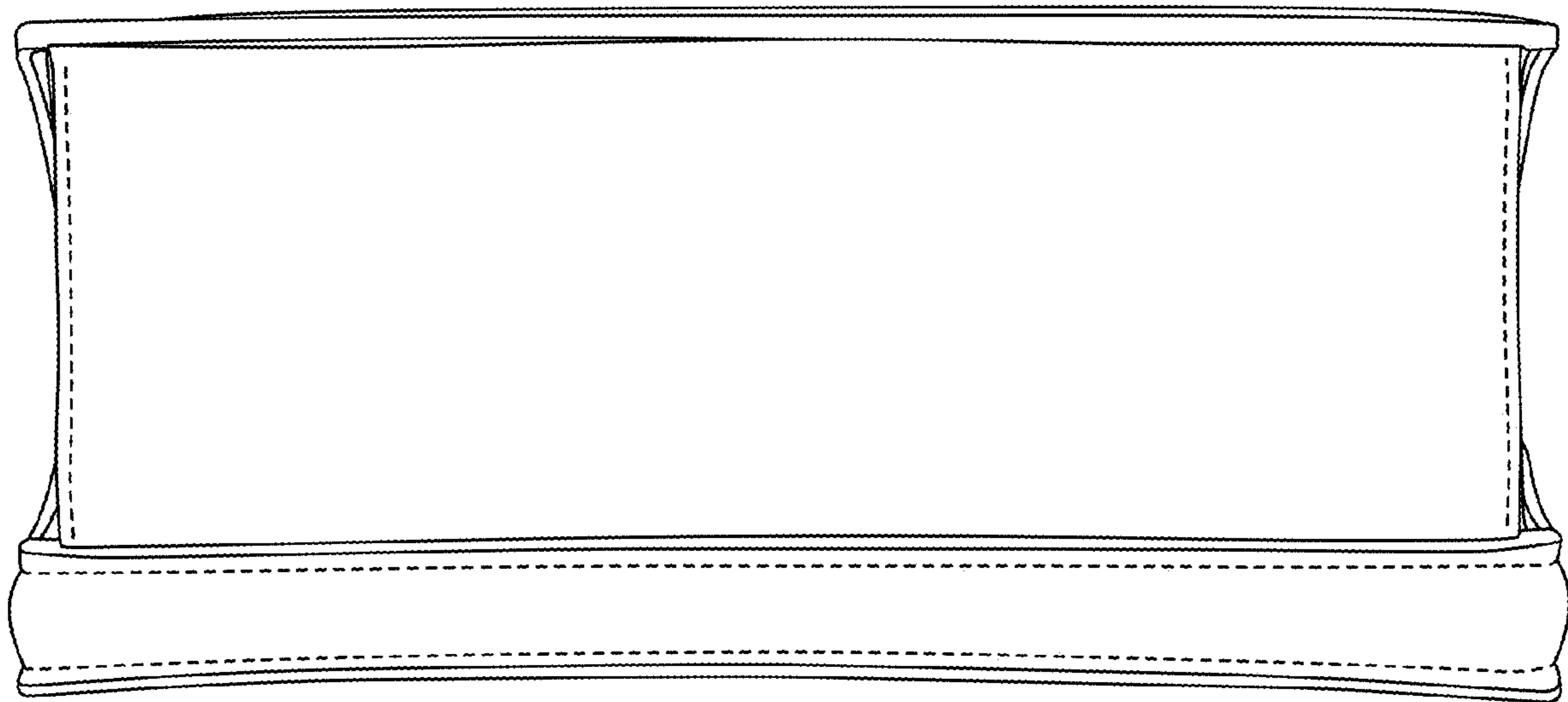


FIG. 7