



US00D871058S

(12) **United States Design Patent** (10) **Patent No.:** **US D871,058 S**  
**Mezzalira** (45) **Date of Patent:** **\*\* Dec. 31, 2019**

(54) **HOSE BAG**

(71) Applicant: **FITT USA INC.**, Chicago, IL (US)  
(72) Inventor: **Alessandro Mezzalira**, Vicenza (IT)  
(73) Assignee: **FITT USA INC.**, Chicago, IL (US)  
(\*\*) Term: **15 Years**

(21) Appl. No.: **29/669,445**

(22) Filed: **Nov. 8, 2018**

(51) **LOC (12) Cl.** ..... **03-01**

(52) **U.S. Cl.**  
USPC ..... **D3/232**

(58) **Field of Classification Search**  
USPC ..... D3/232-233, 240-243, 245-246  
CPC ..... A45C 1/024; A45C 3/06  
See application file for complete search history.

(56) **References Cited**

**U.S. PATENT DOCUMENTS**

D604,043 S \* 11/2009 Hawbaker ..... D3/232  
D763,570 S \* 8/2016 Potts ..... D3/232  
D768,378 S \* 10/2016 Schilp ..... D3/232

**FOREIGN PATENT DOCUMENTS**

EM 003313709-0001 7/2016  
EM 003313709-0002 7/2016  
EM 004028553-0001 6/2017  
EM 004171122-0001 8/2017  
EM 004171122-0002 8/2017  
EM 005133139-0001 3/2018

**OTHER PUBLICATIONS**

IdroEasy "Irrigation Solutions" (2016) <https://www.idroeasy.com/?lang=en>.

\* cited by examiner

*Primary Examiner* — Holly H Baynham  
(74) *Attorney, Agent, or Firm* — Kilyk & Bowersox, P.L.L.C.

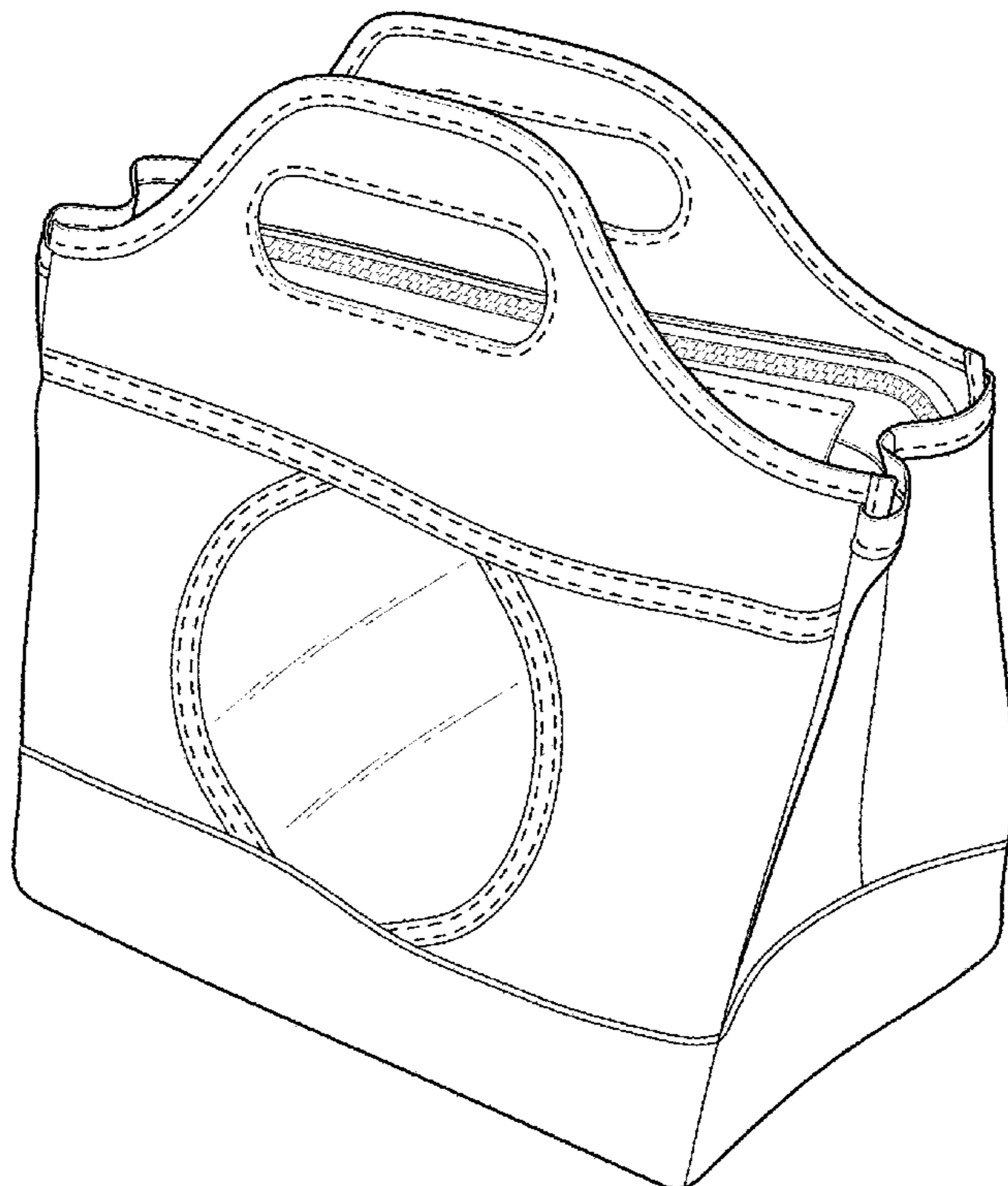
(57) **CLAIM**

The ornamental design for a hose bag, as shown and described.

**DESCRIPTION**

FIG. 1 is a front, top, right-side perspective view of the hose bag of the present invention;  
FIG. 2 is a front view of the hose bag design shown in FIG. 1;  
FIG. 3 is a back view of the hose bag design shown in FIGS. 1 and 2;  
FIG. 4 is a top view of the hose bag design shown in FIGS. 1-3; and,  
FIG. 5 is a back, bottom, left-side view of the hose bag design shown in FIGS. 1-4, with a back, bottom, right-side perspective view being a mirror-image of FIG. 5.  
The drawings show a hose bag. The broken lines shown represent stitching and form part of the claimed design. The zipper forms part of the claimed design.

**1 Claim, 5 Drawing Sheets**



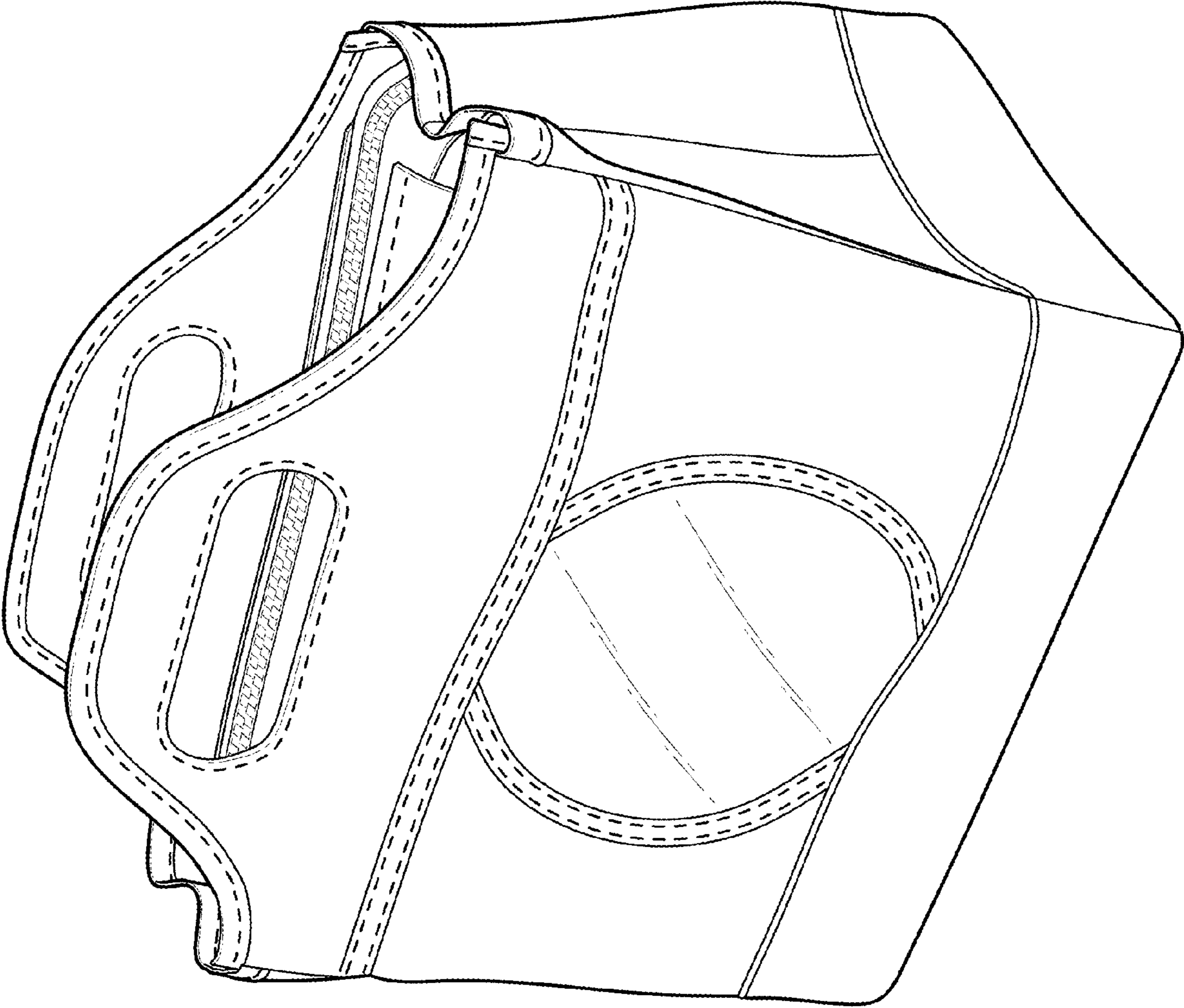


FIG. 1

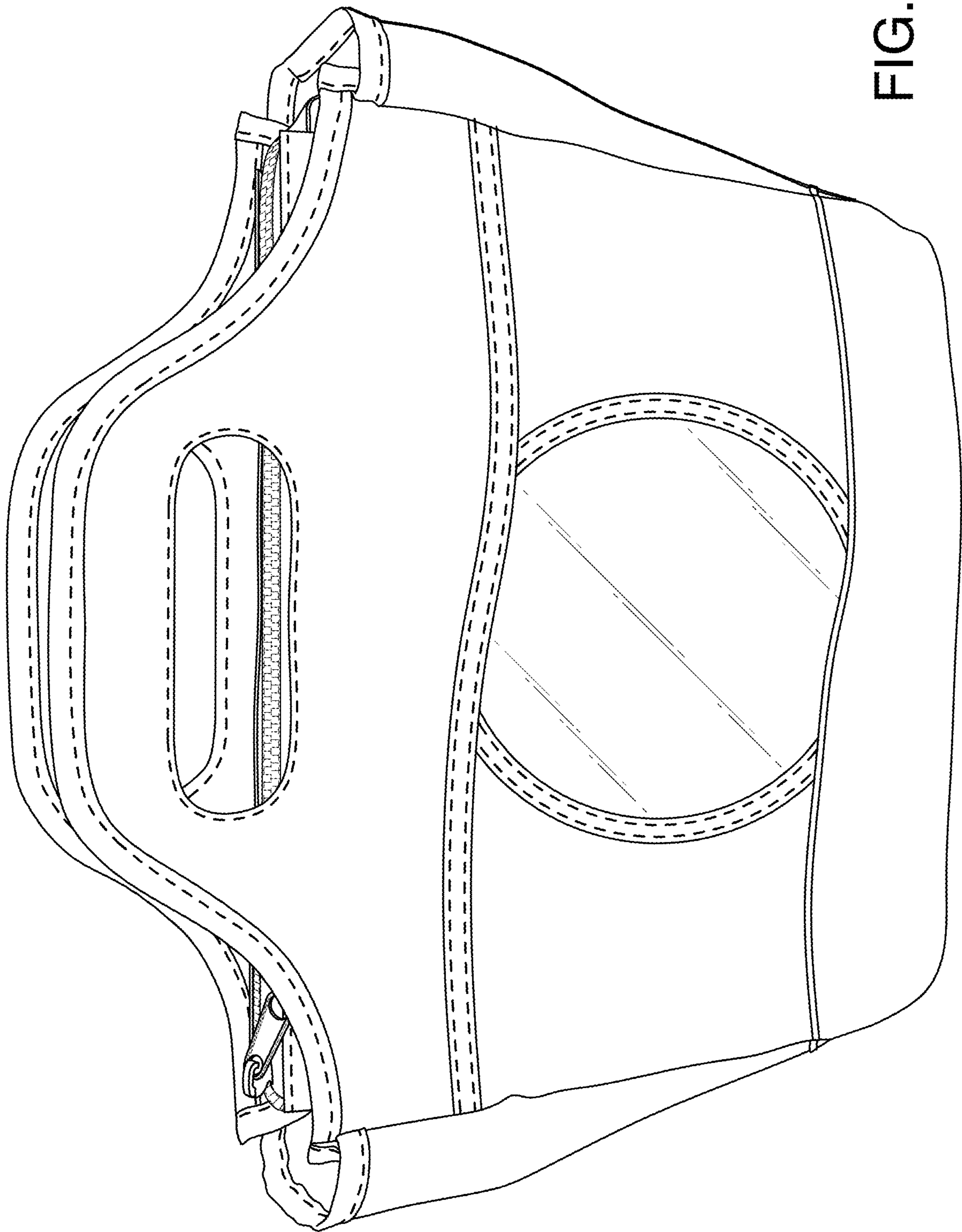


FIG. 2

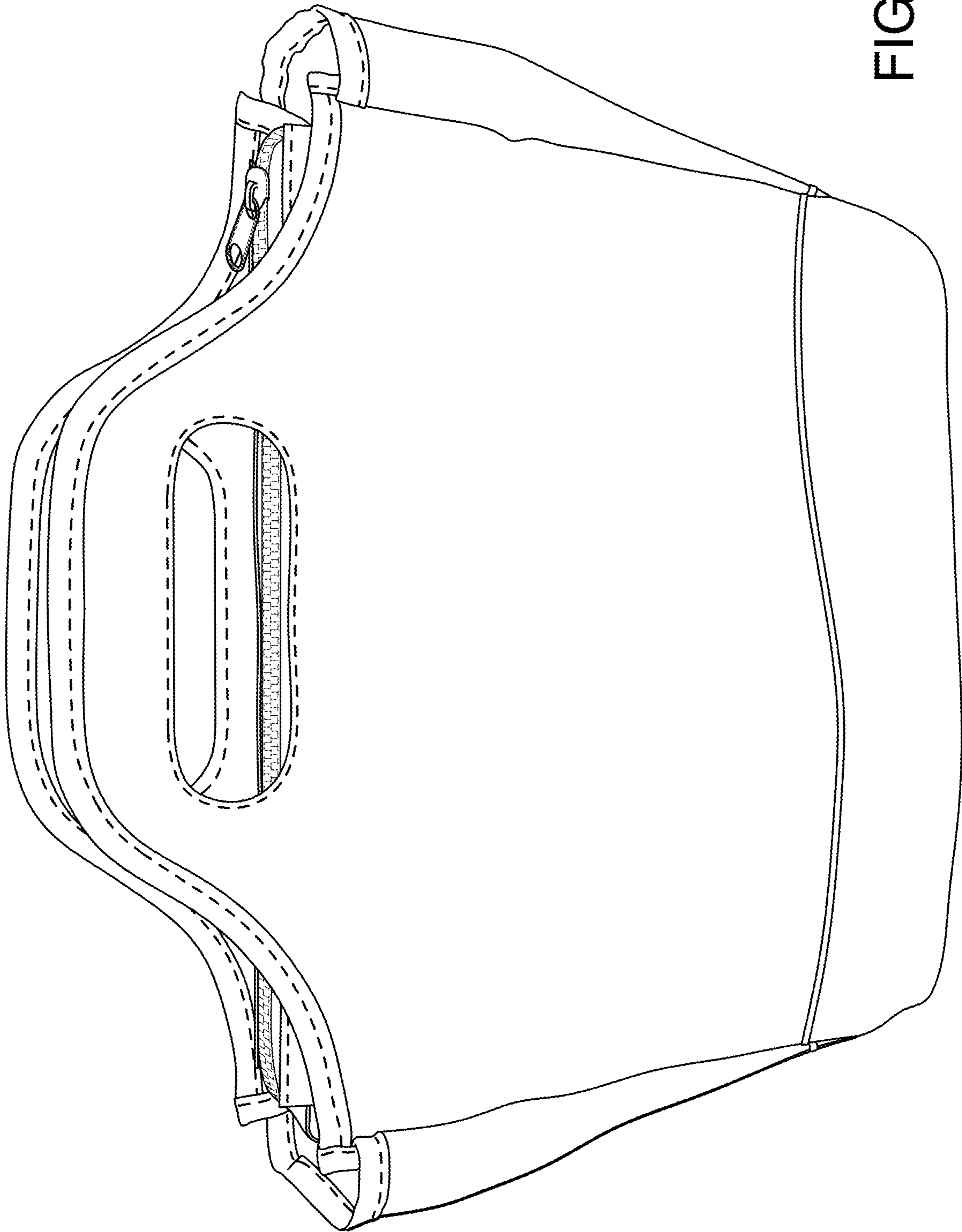


FIG.3

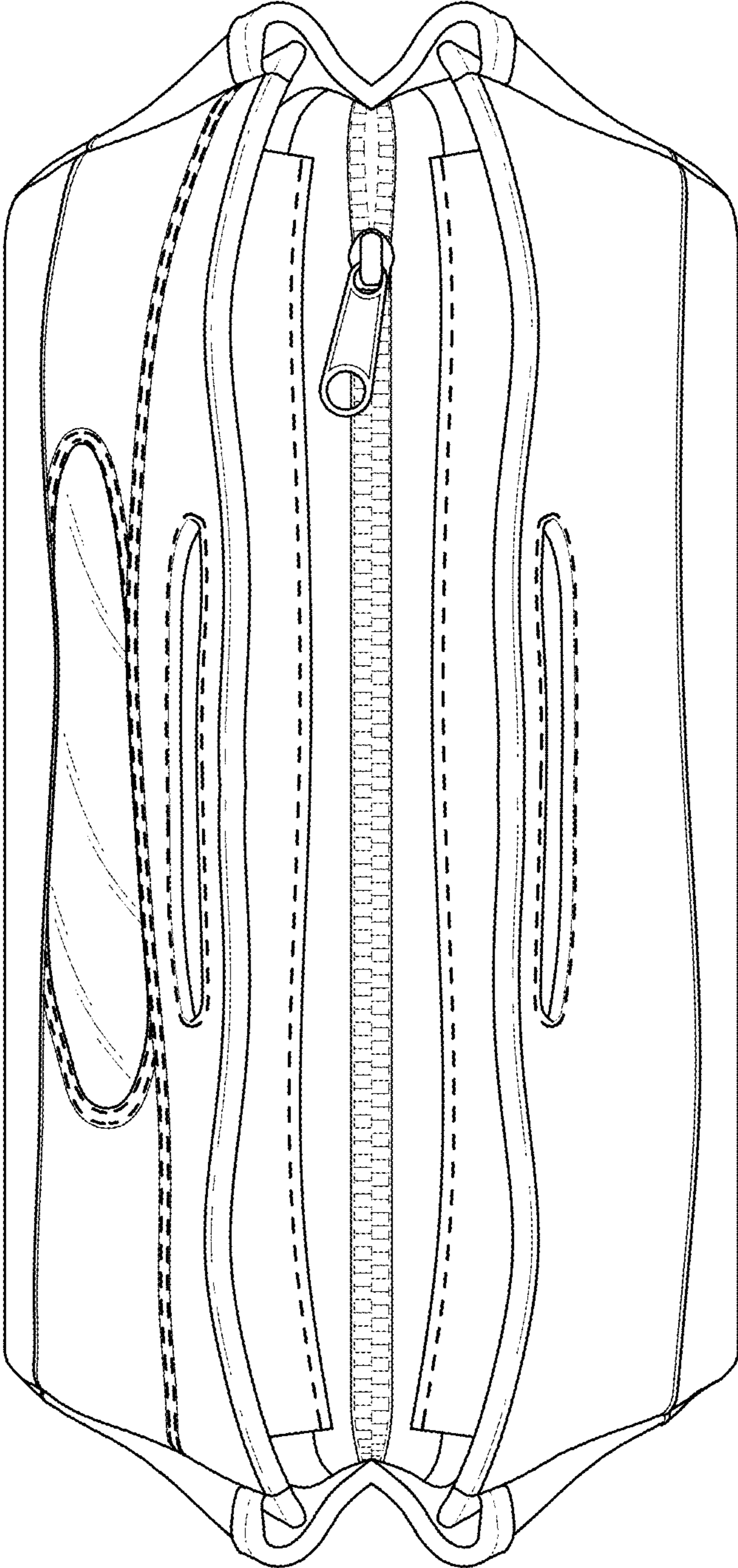


FIG.4

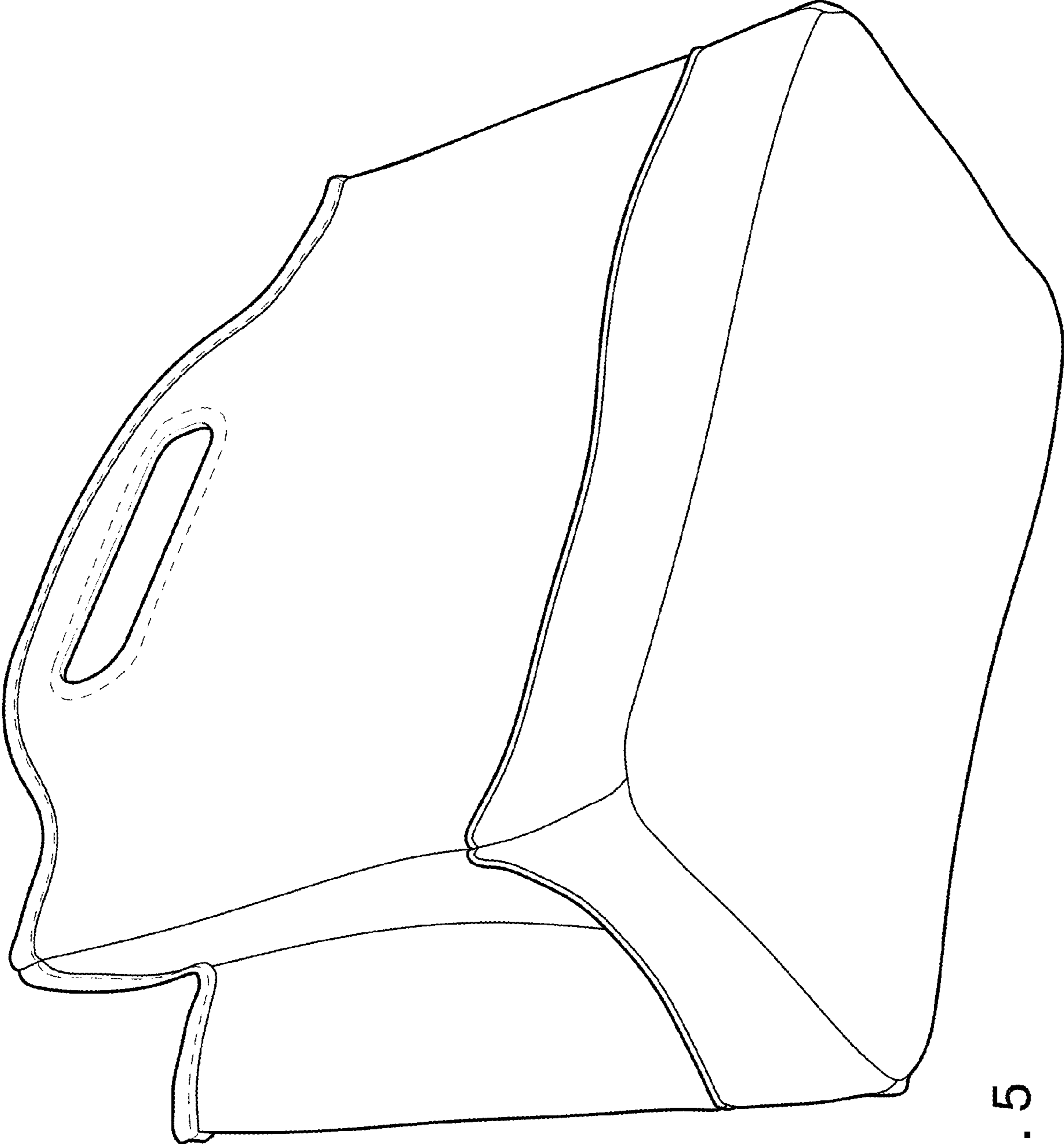


FIG. 5