



US00D871057S

(12) **United States Design Patent** (10) **Patent No.:** **US D871,057 S**
Lance et al. (45) **Date of Patent:** **** Dec. 31, 2019**

- (54) **HOLSTER** 1,635,984 A 7/1927 Corriston
1,641,439 A 9/1927 Jovino
(71) Applicant: **Vista Outdoor Operations LLC,** 1,750,139 A 3/1930 Swift
Anoka, MN (US) 1,851,352 A 3/1932 Denkert
1,951,865 A 3/1934 Franz
(72) Inventors: **Troy E. Lance,** Livingston, MT (US); 2,051,844 A 8/1936 Green
Liam Yarbrough, Nampa, ID (US); 2,088,811 A 8/1937 Ray
Robert Kincaid, Manhattan, MT (US); 2,109,734 A 3/1938 Preneta
Paul N. Smith, Bozeman, MT (US); 2,349,376 A 5/1944 Ray
Christopher J. Michael, Belgrade, MT 2,443,397 A 6/1948 Myres
(US) 2,551,913 A 5/1951 Toby
12/1951 Adams
(73) Assignee: **Vista Outdoor Operations LLC,** 2,577,869 A 7/1959 Couper
Anoka, MN (US) 2,893,615 A 12/1966 Taormina
12/1968 Wilson
3,419,728 A 1/1969 Clark
3,420,420 A 12/1970 Daigle
3,550,821 A 12/1970 Lloyd
(**) Term: **15 Years** 3,550,822 A 6/1972 Furman
3,669,325 A 2/1973 Rose
(21) Appl. No.: **29/624,387** 3,718,240 A 12/1973 Theodore
3,777,952 A 4/1974 Azurin
(22) Filed: **Oct. 31, 2017** 3,804,306 A 8/1974 Baldocchi
3,828,990 A 2/1975 Hamby
3,866,811 A 9/1975 Jones
3,904,091 A 10/1975 Baldocchi
3,910,469 A 3/1976 Chica
3,942,692 A 5/1976 Perkins
3,955,724 A 11/1979 Jones
4,225,067 A 9/1980 Bianchi et al.
4,277,007 A 7/1981 Bianchi et al.
4,463,884 A 8/1984 Parlante
4,846,384 A 7/1989 Perry
4,886,197 A 12/1989 Bowles et al.
5,018,654 A 5/1991 Rogers et al.
5,048,735 A 9/1991 McCormick
5,082,318 A 1/1992 Held et al.
5,094,376 A 3/1992 Baruch
5,100,036 A 3/1992 Rogers et al.
5,127,566 A 7/1992 Beletsky
5,129,562 A 7/1992 Bianchi
5,199,620 A 4/1993 Beletsky
5,209,383 A 5/1993 Theodore
5,215,238 A 6/1993 Baruch
5,275,317 A 1/1994 Rogers et al.
5,282,559 A 2/1994 Wisser et al.
5,284,281 A 2/1994 Nichols
5,322,200 A 6/1994 Blanchard
5,358,160 A 10/1994 Bianchi
5,372,288 A 12/1994 Rogers et al.
5,395,021 A 3/1995 Brown
5,419,474 A 5/1995 Marx et al.
5,421,497 A 6/1995 Gilmore

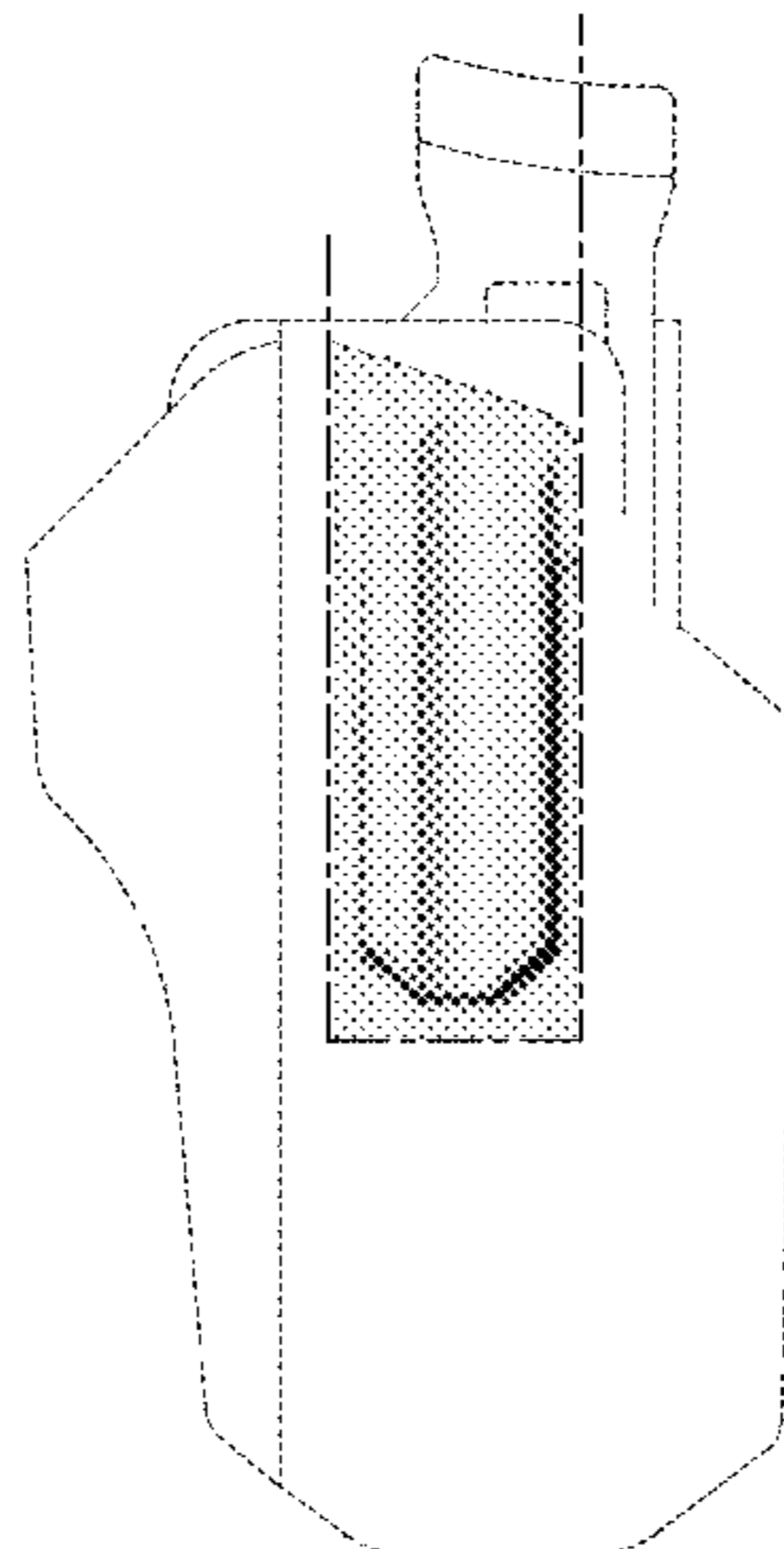
Related U.S. Application Data

- (63) Continuation of application No. 29/569,417, filed on Jun. 27, 2016, now Pat. No. Des. 801,041, which is a continuation-in-part of application No. 15/077,583, filed on Mar. 22, 2016, now Pat. No. 9,777,986.
(51) **LOC (12) Cl.** **03-01**
(52) **U.S. Cl.**
USPC **D3/222**
(58) **Field of Classification Search**
USPC D3/222-223, 269; 224/192-193,
224/197-198, 243-244, 587, 665, 682,
224/901.4, 911-912
CPC F41C 33/0209; F41C 33/0227; F41C
33/0263; F41C 33/845
See application file for complete search history.

(56) **References Cited**

U.S. PATENT DOCUMENTS

- 1,046,912 A 12/1912 Wanee
1,113,530 A 10/1914 Audley
1,148,935 A 8/1915 Snavely
1,421,578 A 7/1922 Schussler



US D871,057 S

Page 2

5,449,103 A	9/1995	Tilley	7,819,294 B2	10/2010	Lowe et al.
5,458,266 A	10/1995	Pichot	7,841,497 B1	11/2010	Gregory et al.
5,467,909 A	11/1995	Resca et al.	7,850,053 B2	12/2010	Rassias
5,570,830 A	1/1996	Nichols	7,922,050 B2	4/2011	Benes
5,501,380 A	3/1996	Wu	7,934,333 B1	5/2011	Tuz
5,501,381 A	3/1996	Rogers et al.	7,937,880 B1	5/2011	Fidlow
5,509,591 A	4/1996	Carver	7,950,553 B2	5/2011	Rassias
5,513,785 A	5/1996	Campagna, Jr.	7,954,971 B1	6/2011	Kincaid et al.
5,518,155 A	5/1996	Gallagher	8,052,018 B2	11/2011	Gallagher
5,551,611 A	9/1996	Gilmore	8,096,453 B2	1/2012	Lowe et al.
5,573,157 A	11/1996	Mauriello et al.	8,132,355 B1	3/2012	Kincaid et al.
5,598,958 A	2/1997	Ryan, III et al.	8,141,758 B2	3/2012	Spielberger
5,611,164 A	3/1997	Rassias	8,177,108 B1	5/2012	Kincaid et al.
5,622,295 A	4/1997	Hellweg et al.	8,215,525 B2	7/2012	Rassias
5,749,507 A	5/1998	Wood	8,251,266 B2	8/2012	Gregory et al.
5,758,448 A	6/1998	Thummel	8,281,512 B2	10/2012	Lara
5,768,816 A	6/1998	Rassias	8,302,827 B1	11/2012	Cole
5,779,114 A	7/1998	Owens	8,371,487 B1	2/2013	Plappert
5,806,739 A	9/1998	Wood	RE44,428 E	8/2013	Spielberger
5,810,221 A	9/1998	Beletsky et al.	8,517,235 B1	8/2013	Kincaid et al.
5,810,222 A	9/1998	Shoemaker	8,544,706 B2	10/2013	Crye
5,855,305 A	1/1999	Nichols	8,602,275 B1	12/2013	Kiger et al.
5,916,087 A	6/1999	Owens	8,602,276 B2	12/2013	Tyybakinoja
5,918,784 A	7/1999	Serpa	8,631,981 B2	1/2014	Zusman
5,927,578 A	7/1999	Kay	8,646,665 B2	2/2014	Abushaev
5,931,358 A	8/1999	Rogers	8,690,032 B2	4/2014	Baumann et al.
5,944,239 A	8/1999	Rogers et al.	8,714,423 B1	5/2014	Kincaid et al.
5,961,013 A	10/1999	Collins	8,720,754 B2	5/2014	Kirsch
6,085,951 A	7/2000	Beletsky et al.	8,720,755 B2	5/2014	Gregory et al.
6,112,962 A	9/2000	Matthews	8,783,532 B2	7/2014	Gregory et al.
6,149,042 A	11/2000	Rassias	8,807,404 B1	8/2014	Howell et al.
6,189,751 B1	2/2001	Tserng	8,851,344 B2	10/2014	Baumann et al.
6,230,946 B1	5/2001	Vor Keller et al.	8,870,042 B2	10/2014	Clifton
6,267,279 B1	7/2001	Matthews	8,910,839 B2	12/2014	Clifton
6,276,581 B1	8/2001	Glock	8,925,773 B2	1/2015	Clifton
6,320,975 B1	11/2001	Vieweg	8,985,412 B2	3/2015	Rorick et al.
6,349,496 B1	2/2002	Neely	9,016,533 B2	4/2015	Visalli et al.
6,371,341 B1	4/2002	Clifton, Jr.	9,022,262 B2	5/2015	Pellegrini
6,389,726 B1	5/2002	Bentley	9,057,579 B2	6/2015	Rorick et al.
6,398,089 B1	6/2002	Har-Shen	9,057,580 B2	6/2015	Rorick et al.
6,415,541 B1	7/2002	Rassias	9,086,254 B1	7/2015	Plappert
6,467,660 B1	10/2002	Rogers et al.	9,109,855 B1	8/2015	Kincel
6,523,374 B1	2/2003	Owens	9,134,093 B2	9/2015	Yeates
6,533,149 B2	3/2003	Vor Keller et al.	D740,021 S	10/2015	Faifer
6,547,111 B2	4/2003	French	9,175,925 B2	11/2015	Pellegrini
6,585,209 B1	7/2003	Mattingly	9,228,802 B2	1/2016	Ribas
6,588,635 B2	7/2003	Vor Keller et al.	9,759,515 B2	9/2017	Yeates
6,604,657 B2	8/2003	Yirmiyahu et al.	10,024,615 B1	7/2018	Oh et al.
6,616,020 B1	9/2003	Spielberger	2004/0050887 A1	3/2004	Spielberger
6,634,527 B2	10/2003	Lui	2004/0195282 A1	10/2004	Beletsky et al.
6,641,009 B2	11/2003	French et al.	2005/0205621 A1	9/2005	Shults
6,732,891 B2	5/2004	Locklear, III	2005/0205624 A1	9/2005	French et al.
6,752,300 B2	6/2004	Har-Shen	2005/0279789 A1	12/2005	Lowe
6,755,331 B2	6/2004	Rassias	2006/0156525 A1	7/2006	Jenkins et al.
6,769,581 B2	8/2004	Rogers et al.	2006/0157520 A1	7/2006	Clifton, Jr.
6,769,582 B1	8/2004	Beletsky et al.	2006/0175366 A1	8/2006	Dekaise
6,799,392 B2	10/2004	Milec et al.	2006/0226185 A1	10/2006	Har-Shen
D501,991 S	2/2005	Cook et al.	2007/0181619 A1	8/2007	Seyfert et al.
6,854,626 B2	2/2005	Liao	2008/0110947 A1	5/2008	Pikielny
6,886,725 B2	5/2005	Lowe et al.	2008/0121670 A1	5/2008	Buress
6,918,519 B2	7/2005	Vor Keller et al.	2008/0179359 A1	7/2008	Aberle et al.
6,948,644 B1	9/2005	Beletsky	2008/0179360 A1	7/2008	Lowe et al.
D512,561 S	12/2005	Cook et al.	2009/0321480 A1	12/2009	Kincaid et al.
7,117,625 B2	10/2006	Pikielny	2010/0276464 A1	11/2010	Hirt et al.
7,140,523 B2	11/2006	Lowe et al.	2011/0011904 A1	1/2011	Schultz et al.
7,200,965 B2	4/2007	Vor Keller et al.	2011/0101063 A1	5/2011	Zusman
7,258,259 B1	8/2007	Owens	2011/0163138 A1	7/2011	Tybakinoja
7,434,712 B2	10/2008	Cook et al.	2011/0174849 A1	7/2011	Clifton, Jr.
7,461,765 B2	12/2008	French et al.	2011/0174850 A1	7/2011	Clifton, Jr.
7,530,456 B1	5/2009	Tsai	2013/0240582 A1	9/2013	Tyybakinoja et al.
7,543,404 B2	6/2009	Kovalchuk et al.	2014/0048572 A1	2/2014	Yeates
7,556,181 B2	7/2009	Spielberger	2014/0109345 A1	4/2014	Melville
7,562,797 B2	7/2009	Senn et al.	2015/0285587 A1	10/2015	Abushaev
7,584,875 B2	9/2009	Lowe et al.	2017/0003101 A1	1/2017	Madrid et al.
7,591,402 B2	9/2009	Rassias			
7,644,845 B2	1/2010	Lowe			
7,694,860 B2	4/2010	Clifton, Jr.			
7,735,255 B1	6/2010	Kincaid et al.			
7,762,018 B1	7/2010	Fitzpatrick et al.			

FOREIGN PATENT DOCUMENTS

EP	1975542 A2	10/2008
FR	2893404 A1	5/2007

WO	WO2010/064268	6/2010
WO	WO2013/071402	5/2013
WO	WO2014/028876	2/2014
ZA	986778	2/1999

OTHER PUBLICATIONS

European Patent Office, Search Opinion of Application No. 10828676.6, dated Feb. 16, 2015 3 pages.

European Patent Office, Supplementary Search Report of Application No. 10828676.6, dated Feb. 16, 2015 2 pages.

Written Opinion of the International Searching Authority for International Application No. PCT/US2010/002935 dated Jan. 7, 2011. PCT International Preliminary Report on Patentability for International Application No. PCT/US2010/002935 dated May 15, 2012 5 pages.

PCT International Search Report for International Application No. PCT/US2010/002935 dated Jan. 7, 2011, 2 pages.

Primary Examiner — Catherine R Oliver-Garcia
 (74) *Attorney, Agent, or Firm* — Reed Smith LLP;
 Matthew P. Frederick; Cheryl L. Gastineau

(57) **CLAIM**

We claim the ornamental design for holster, as shown and described.

DESCRIPTION

FIG. 1 is a right side view of the holster of FIG. 1.
 FIG. 2 is a front elevation view of the holster of FIG. 1; and,

FIG. 3 is a left side view of the holster of FIG. 1.

The bottom appearance of the holster is not shown in the drawing and forms no part of the claimed design.

The top appearance of the holster is not shown in the drawing and forms no part of the claimed design.

The rear appearance of the holster is not shown in the drawing and forms no part of the claimed design.

The inventors do not consider the holster as illustrated to be the only embodiment of the invention. Applicants consider that the external features of the holster may be claimed without any of the structure and/or features within the interior of the holster. Such external individual features may be claimed in isolation or in any combination. The outline of the holster from any of the disclosed views may be considered embodiments, with or without individual features and any combination of such features. Thus, upon this filing, the inventors have possession of and consider that all of the above described variations to be embodiments of the invention.

Broken lines shown in the drawings form no part of the claimed design. The broken lines having alternating short and long dash lengths in the drawings depict boundaries between claimed and non-claimed subject matter. The boundaries themselves form no part of the claimed design. The broken lines having equal dash lengths in the drawings illustrate structure and/or features that form no part of the claimed design.

1 Claim, 3 Drawing Sheets

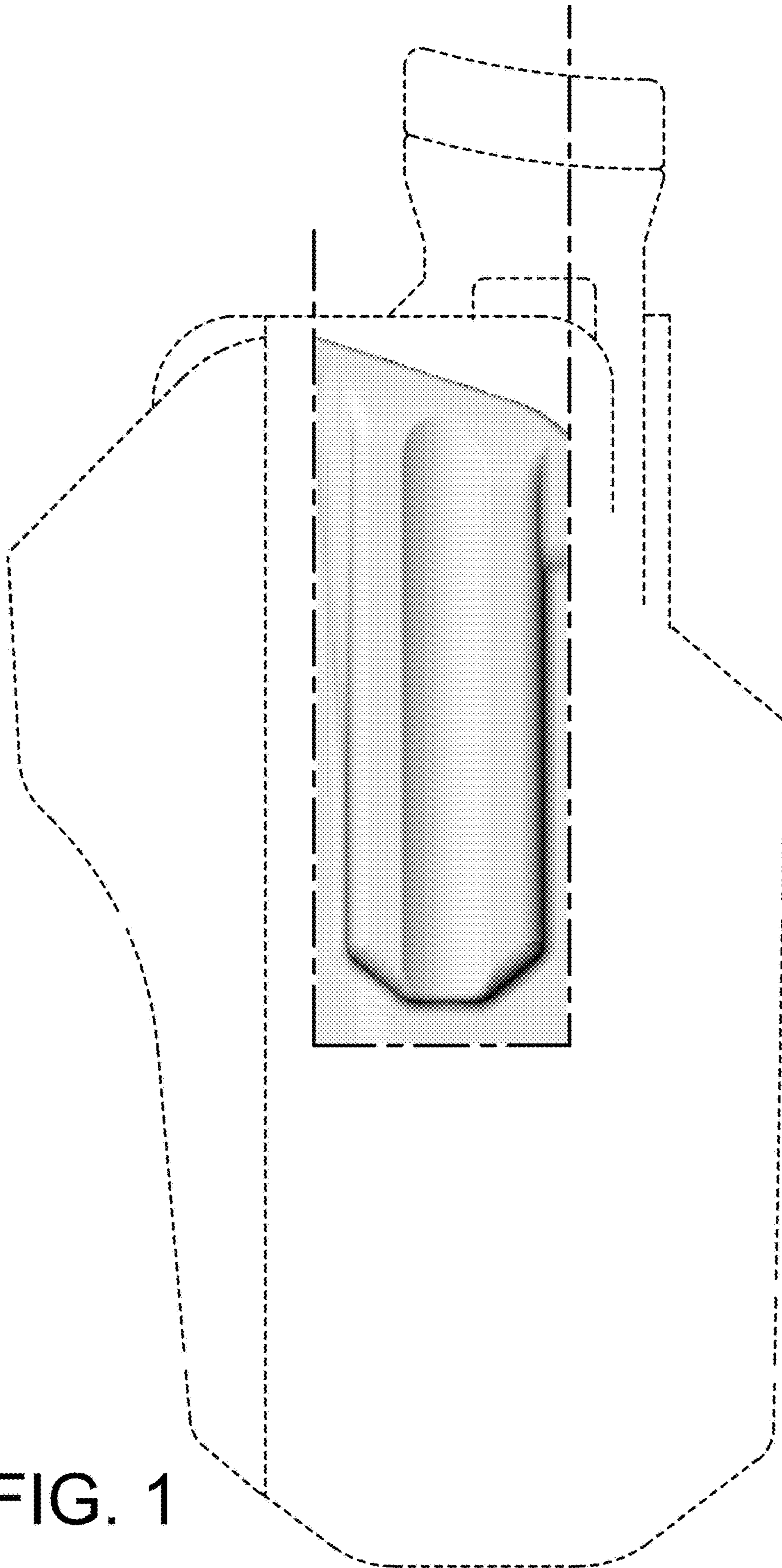


FIG. 1

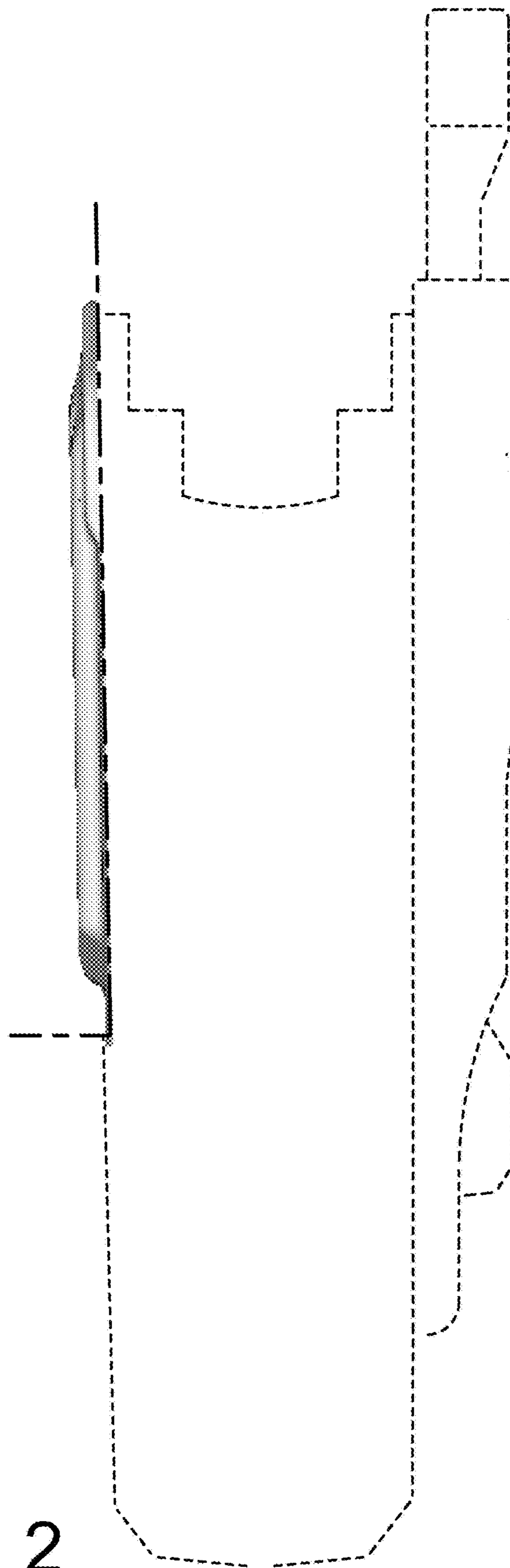


FIG. 2

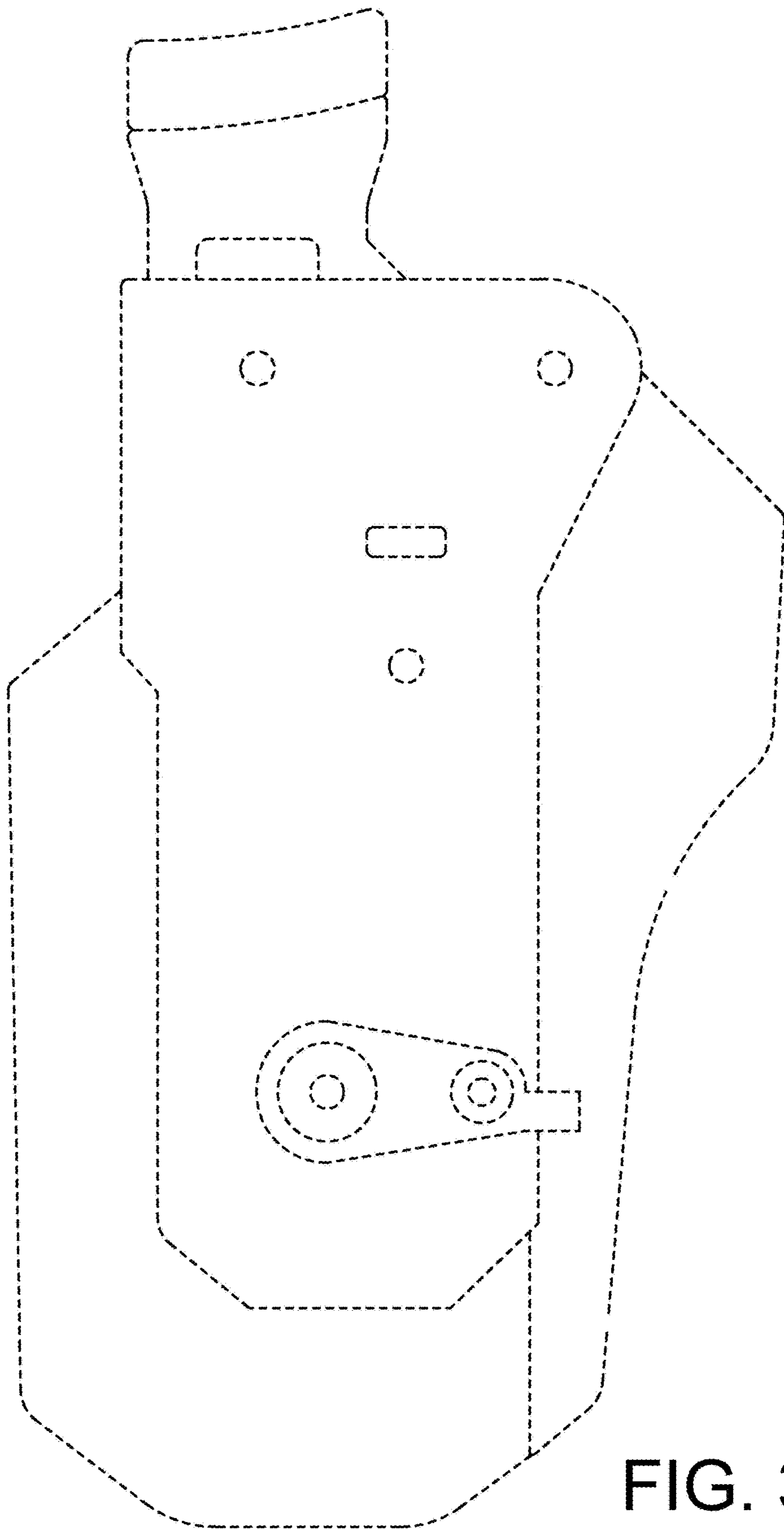


FIG. 3