



US00D871037S

(12) **United States Design Patent** (10) **Patent No.:** **US D871,037 S**  
**Christopherson et al.** (45) **Date of Patent:** **\*\* Dec. 31, 2019**

(54) **SHOE OUTSOLE BOTTOM**

(56) **References Cited**

(71) Applicant: **Skechers U.S.A., Inc. II**, Manhattan Beach, CA (US)

(72) Inventors: **Lafe Christopherson**, Rancho Palos Verdes, CA (US); **Kevin Fisher**, Hermosa Beach, CA (US); **Keith Shelton**, Redondo Beach, CA (US); **Anthony Macey**, Santa Barbara, CA (US); **Brian Yang**, Dong Guan (CN); **Kevin Chen**, Dong Guan (CN); **Glen Chang**, Torrance, CA (US)

(73) Assignee: **Skechers U.S.A., Inc. II**, Manhattan Beach, CA (US)

(\*\*) Term: **15 Years**

(21) Appl. No.: **29/684,958**

(22) Filed: **Mar. 25, 2019**

(51) **LOC (12) Cl.** ..... **02-04**

(52) **U.S. Cl.**  
USPC ..... **D2/957**; D2/951; D2/958

(58) **Field of Classification Search**  
USPC ..... D2/902, 906, 908, 916, 918, 925, D2/946-962, 977; 36/3 B, 22 R, 24.5, 36/25 R, 28, 32 R, 34 R, 59 C, 67 A, 103  
CPC ..... A43B 13/00; A43B 13/02; A43B 13/023; A43B 13/026; A43B 13/04; A43B 13/08; A43B 13/10; A43B 13/12; A43B 13/14; A43B 13/141; A43B 13/143; A43B 13/16; A43B 13/18; A43B 13/181; A43B 13/187; A43B 13/189; A43B 13/20; A43B 13/22; A43B 13/223; A43B 13/24; A43B 13/28; A43B 13/30; A43B 13/32; A43B 13/34; A43B 13/36

See application file for complete search history.

U.S. PATENT DOCUMENTS

|               |         |               |       |                        |
|---------------|---------|---------------|-------|------------------------|
| 4,180,923 A * | 1/1980  | Dassler       | ..... | A43B 13/223<br>36/32 R |
| D256,180 S    | 8/1980  | Turner        |       |                        |
| D257,908 S    | 1/1981  | Inohara       |       |                        |
| D264,017 S    | 4/1982  | Turner        |       |                        |
| D266,967 S    | 11/1982 | Inohara       |       |                        |
| D275,714 S    | 10/1984 | Jacobson      |       |                        |
| D288,262 S    | 2/1987  | Yokoishi      |       |                        |
| D290,184 S *  | 6/1987  | Boswell       | ..... | D2/957                 |
| D294,655 S    | 3/1988  | Heyes         |       |                        |
| D295,231 S    | 4/1988  | Heyes         |       |                        |
| D309,369 S    | 7/1990  | Issler        |       |                        |
| D322,154 S    | 12/1991 | Trueman       |       |                        |
| D335,953 S    | 6/1993  | Tyng          |       |                        |
| D341,481 S    | 11/1993 | Peterson      |       |                        |
| D398,749 S    | 9/1998  | Santos        |       |                        |
| D401,752 S    | 12/1998 | Santos et al. |       |                        |

(Continued)

Primary Examiner — T Chase Nelson

(74) Attorney, Agent, or Firm — Marshall A. Lerner; Marvin H. Kleinberg; Kleinberg & Lerner, LLP

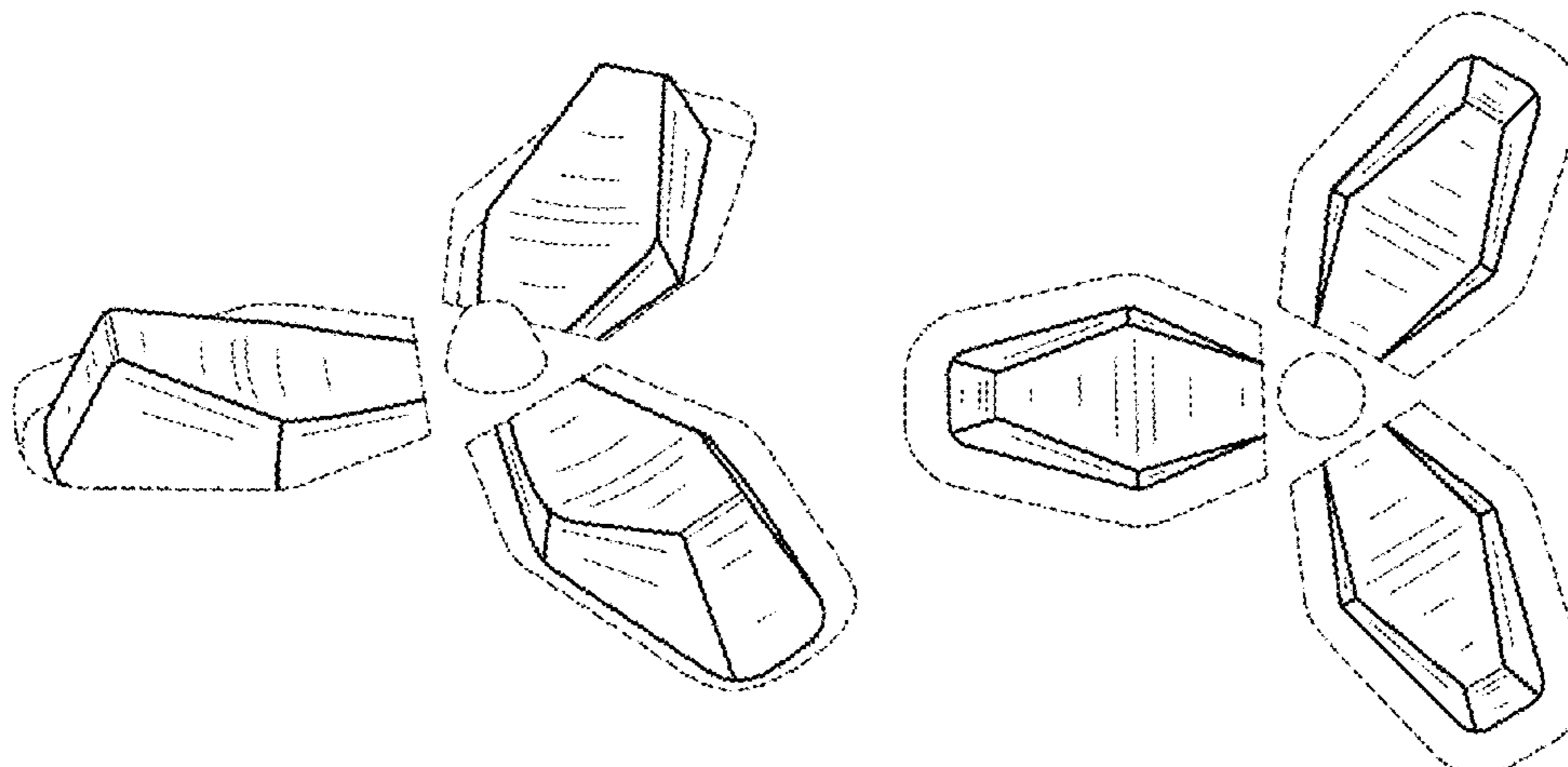
(57) **CLAIM**

The ornamental design for a shoe outsole bottom, as shown and described.

**DESCRIPTION**

FIG. 1 is a perspective view of a first embodiment of a shoe outsole bottom in accordance with our new design. FIG. 2 is a bottom plan view thereof; FIG. 3 is a perspective view of a second embodiment of a shoe outsole bottom in accordance with our new design; and, FIG. 4 is a bottom plan view thereof. The broken lines shown in the drawings represent the boundaries of the claim as well as portions of the shoe outsole bottom that form no part of the claimed design. The

(Continued)



broken lines, elements they depict, and broken line boundaries form no part of the claimed design.

**1 Claim, 2 Drawing Sheets**

(56)

**References Cited**

U.S. PATENT DOCUMENTS

D404,192 S \* 1/1999 McMullin ..... D2/962  
 D420,786 S 2/2000 Ramer et al.  
 D421,175 S 2/2000 Singer  
 D437,989 S 2/2001 Cass  
 D447,855 S 9/2001 Bramani  
 D449,431 S \* 10/2001 Savoie ..... D2/962  
 D449,921 S \* 11/2001 McMullin ..... D2/962  
 D459,061 S 6/2002 Lotti  
 D459,067 S 6/2002 Lotti  
 D477,129 S 7/2003 Ramer  
 D509,347 S 9/2005 Horton  
 6,959,505 B2 \* 11/2005 Poe ..... A43B 1/0009  
 36/141  
 D541,017 S 4/2007 McClaskie  
 D547,037 S 7/2007 Nakano  
 D547,534 S \* 7/2007 Schindler ..... D2/961  
 D561,439 S \* 2/2008 Schoenborn ..... D2/953  
 D561,441 S 2/2008 Matis et al.  
 D575,487 S \* 8/2008 Carruthers ..... D2/946  
 D579,185 S 10/2008 Mariman et al.  
 D583,135 S 12/2008 Mariman et al.  
 D635,338 S \* 4/2011 Favreau ..... A43B 13/04  
 D2/946  
 D635,754 S 4/2011 Mariman  
 D636,161 S \* 4/2011 Favreau ..... A43B 1/04  
 D2/962  
 D643,196 S 8/2011 Young  
 D644,826 S 9/2011 Portzline  
 D680,723 S \* 4/2013 Joseph ..... D2/951  
 D686,403 S 7/2013 Denniston  
 D686,404 S 7/2013 McCourt  
 D702,427 S 4/2014 Hlavacs  
 D702,428 S \* 4/2014 Hlavacs ..... D2/951  
 D716,027 S 10/2014 Kirschner

D717,034 S 11/2014 Bramani  
 D721,476 S 1/2015 Harlow et al.  
 D721,477 S 1/2015 O'Connor  
 D732,282 S \* 6/2015 Ringholz ..... D2/951  
 D733,414 S 7/2015 Butler  
 D733,416 S 7/2015 Butler  
 D734,009 S 7/2015 Butler  
 D734,931 S 7/2015 McCourt  
 D756,092 S \* 5/2016 McCourt ..... D2/951  
 D756,094 S 5/2016 Nyssen  
 D761,544 S \* 7/2016 Fisher ..... A43B 13/223  
 D2/962  
 D764,780 S 8/2016 Strother  
 D780,418 S 3/2017 Lee  
 D781,545 S 3/2017 Greenspan et al.  
 D782,795 S 4/2017 Cin et al.  
 D782,796 S 4/2017 Cin et al.  
 D782,797 S 4/2017 Cin et al.  
 D782,798 S 4/2017 Cin et al.  
 D783,964 S 4/2017 Kanata  
 D783,965 S 4/2017 Lee  
 D783,970 S 4/2017 Kanata  
 D787,171 S \* 5/2017 Petrie ..... D2/972  
 D790,180 S 6/2017 Little  
 D792,687 S 7/2017 Ngene  
 D794,298 S 8/2017 Greenspan et al.  
 D794,931 S 8/2017 Anceresi  
 D794,932 S 8/2017 Parrett et al.  
 D796,809 S 9/2017 Williams, Jr.  
 D803,534 S 11/2017 Strother  
 D803,535 S 11/2017 Strother  
 D803,536 S 11/2017 Strother  
 D805,746 S 12/2017 Vega  
 D807,000 S 1/2018 Ngene  
 D808,627 S \* 1/2018 Kohatsu ..... D2/962  
 D812,881 S 3/2018 Jalbert  
 D813,510 S 3/2018 Jalbert  
 D815,404 S 4/2018 Hernandez  
 D819,315 S \* 6/2018 Kuerbis ..... D2/957  
 D833,130 S 11/2018 Benzien  
 D833,723 S \* 11/2018 Benzien ..... D2/957  
 2016/0058098 A1 \* 3/2016 Cross ..... A43B 1/04  
 36/9 R  
 2017/0042288 A1 \* 2/2017 Lawless ..... A43B 13/223  
 2018/0338573 A1 \* 11/2018 Cross ..... A43B 13/04

\* cited by examiner

FIG. 1

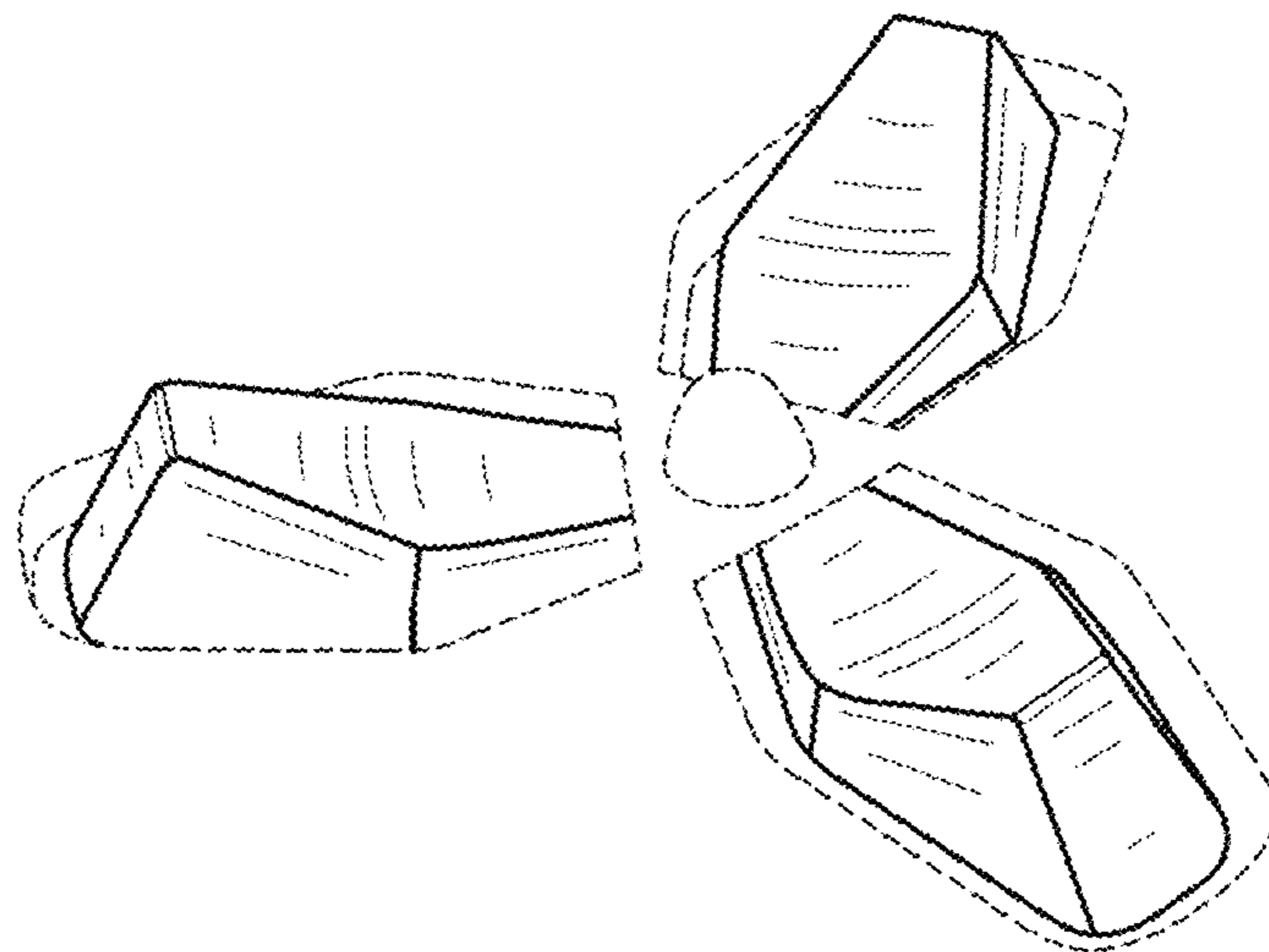


FIG. 2

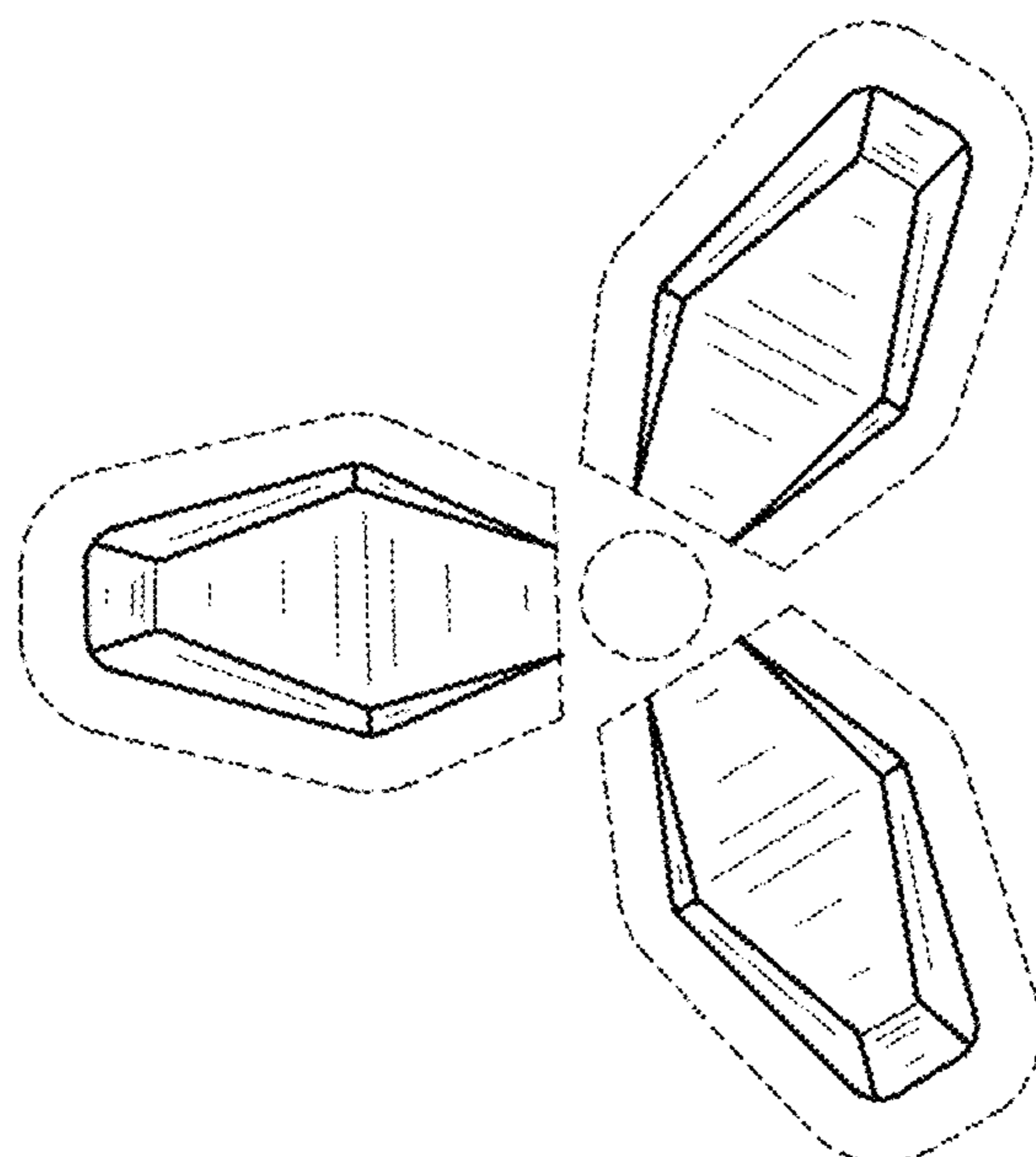


FIG. 3

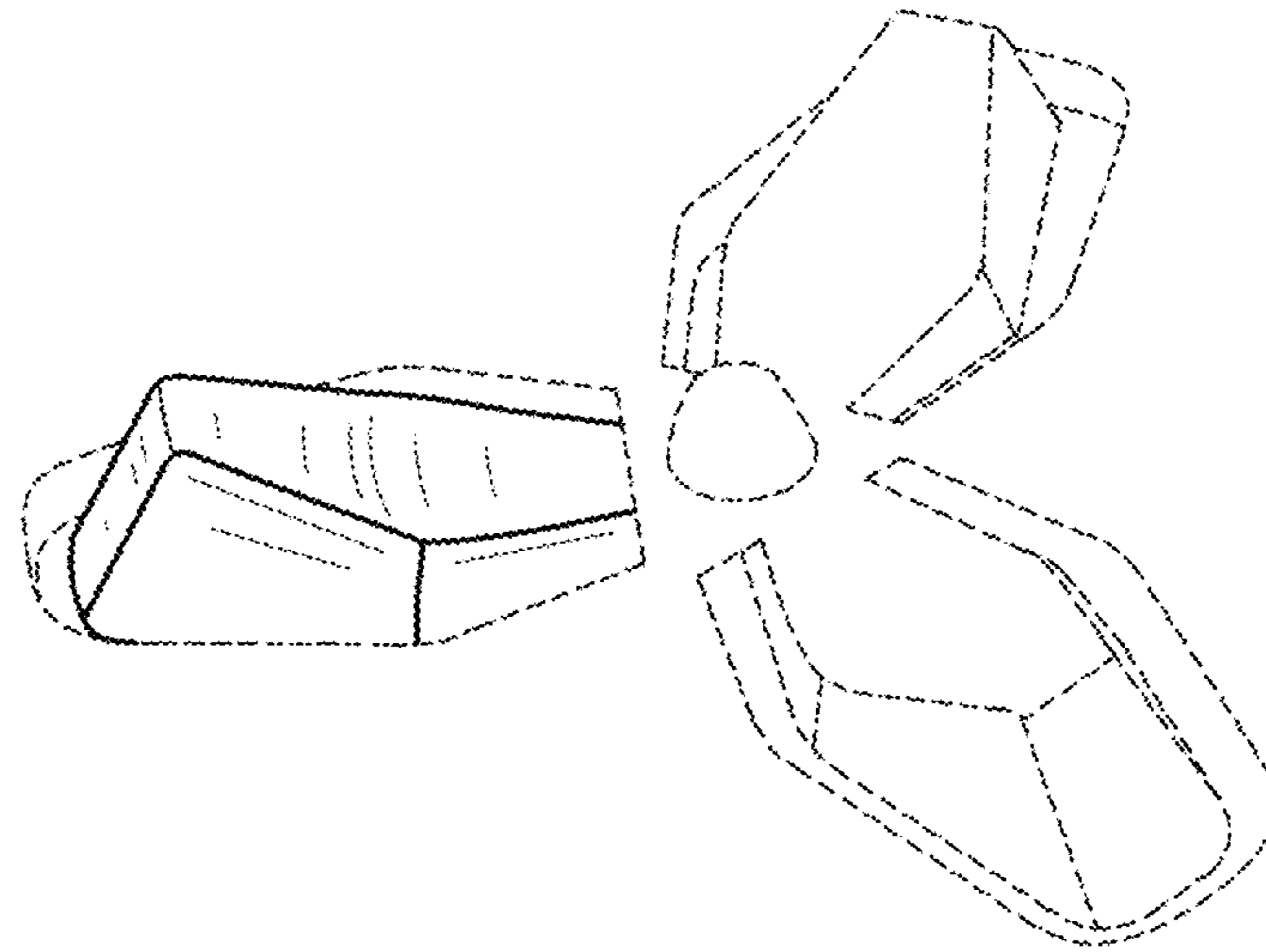


FIG. 4

