



US00D871031S

(12) **United States Design Patent**
Guccione

(10) **Patent No.:** **US D871,031 S**

(45) **Date of Patent:** **** Dec. 31, 2019**

(54) **SANDAL WITH REMOVABLE TOP**

(71) Applicant: **Michael Guccione**, St Charles, MO
(US)

(72) Inventor: **Michael Guccione**, St Charles, MO
(US)

(73) Assignee: **American Sewing Machine, Inc.**, St.
Charles, MO (US)

(**) Term: **15 Years**

(21) Appl. No.: **29/678,699**

(22) Filed: **Jan. 30, 2019**

(51) **LOC (12) Cl.** **02-04**

(52) **U.S. Cl.**
USPC **D2/917**

(58) **Field of Classification Search**
USPC D2/896-900, 903, 916-925, 943, 946,
D2/969, 971, 976
CPC A43B 3/12; A43B 3/122-128
See application file for complete search history.

(56) **References Cited**

U.S. PATENT DOCUMENTS

D145,482 S * 8/1946 Keyes D2/916
3,698,107 A * 10/1972 Fukuoka A43B 3/10
36/11.5

D521,213 S * 5/2006 Jarmon Mouchi D2/946
D530,897 S * 10/2006 Choi D2/971
D548,932 S * 8/2007 Choi D2/917
D554,834 S * 11/2007 Chang D2/917
D582,147 S * 12/2008 Weitzman D2/917
D599,540 S * 9/2009 Issler D2/971
D693,996 S * 11/2013 Khoury D2/917

* cited by examiner

Primary Examiner — Rashida C. Walshon

(74) *Attorney, Agent, or Firm* — Select Patents; Ashkon
Cyrus

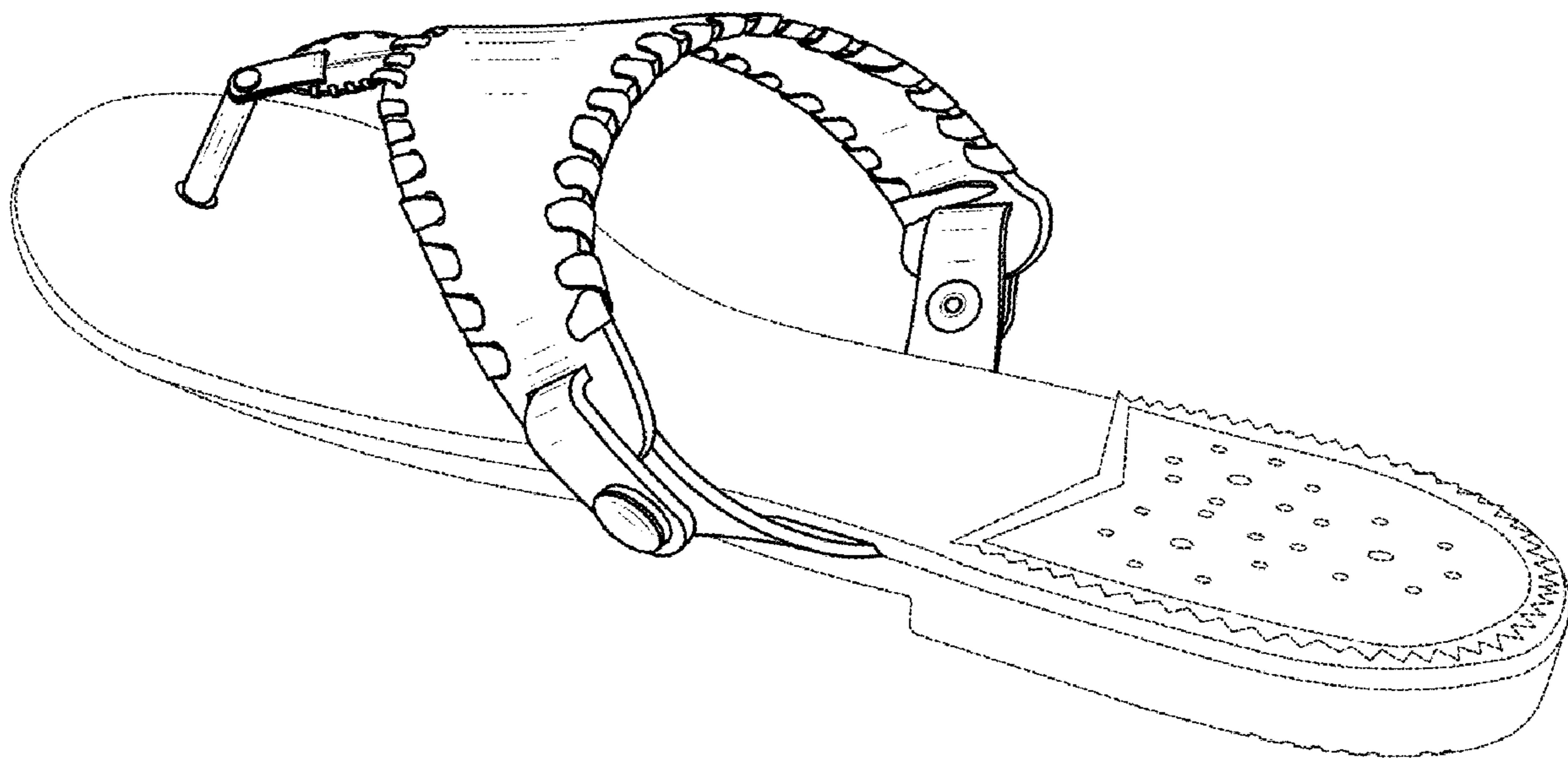
(57) **CLAIM**

The ornamental design for a sandal with removable top, as
shown and described.

DESCRIPTION

FIG. 1 is a side perspective view of a sandal with removable
top showing my new design;
FIG. 2 is another perspective view thereof.
FIG. 3 is a top perspective view thereof.
FIG. 4 is a right side view thereof; and,
FIG. 5 is a left side view thereof.
The unshaded regions form no part of the claimed design.
The broken lines showing the remainder of the sandal are for
environmental purposes only and form no part of the
claimed design.

1 Claim, 5 Drawing Sheets



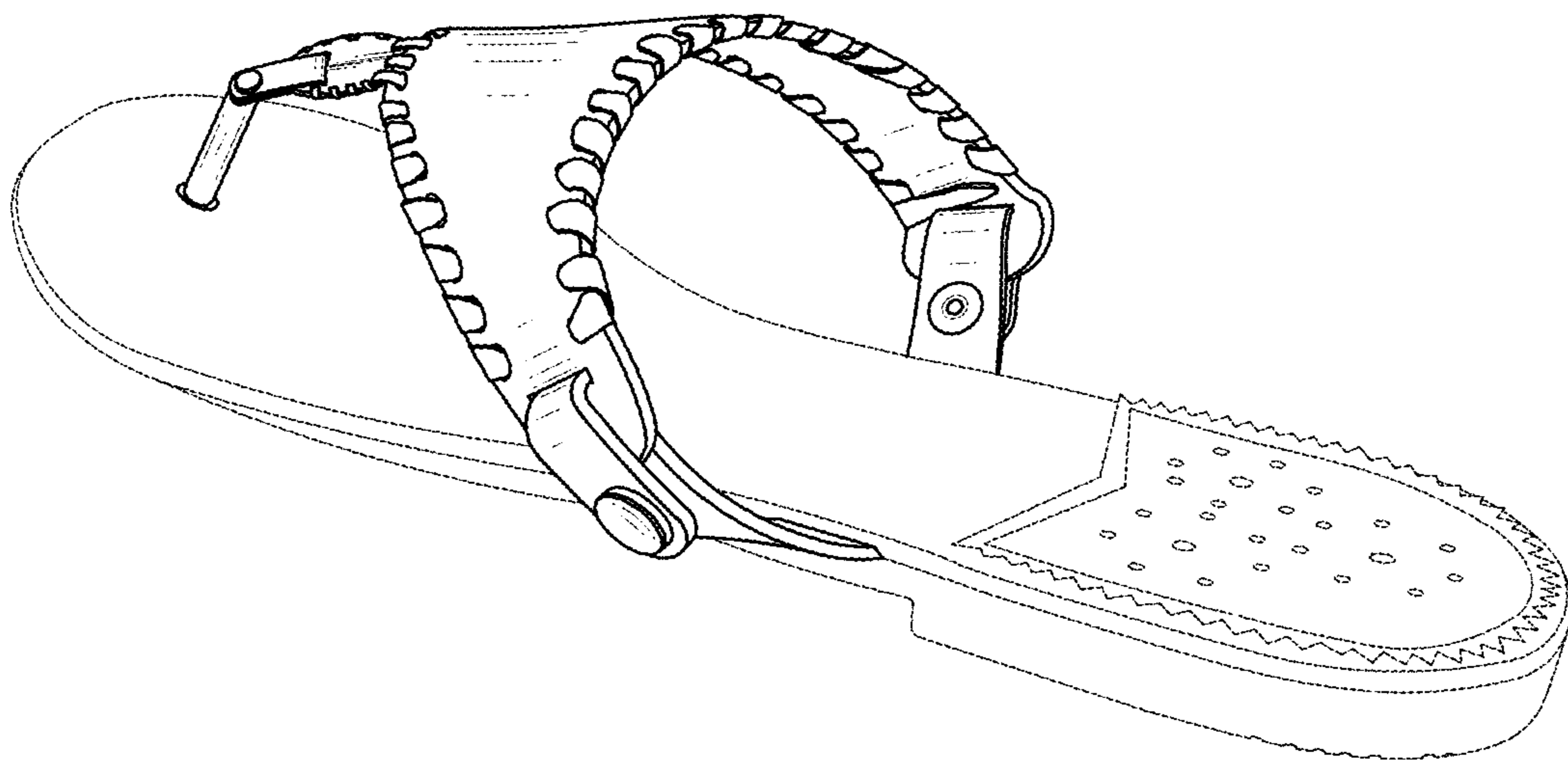


FIG. 1

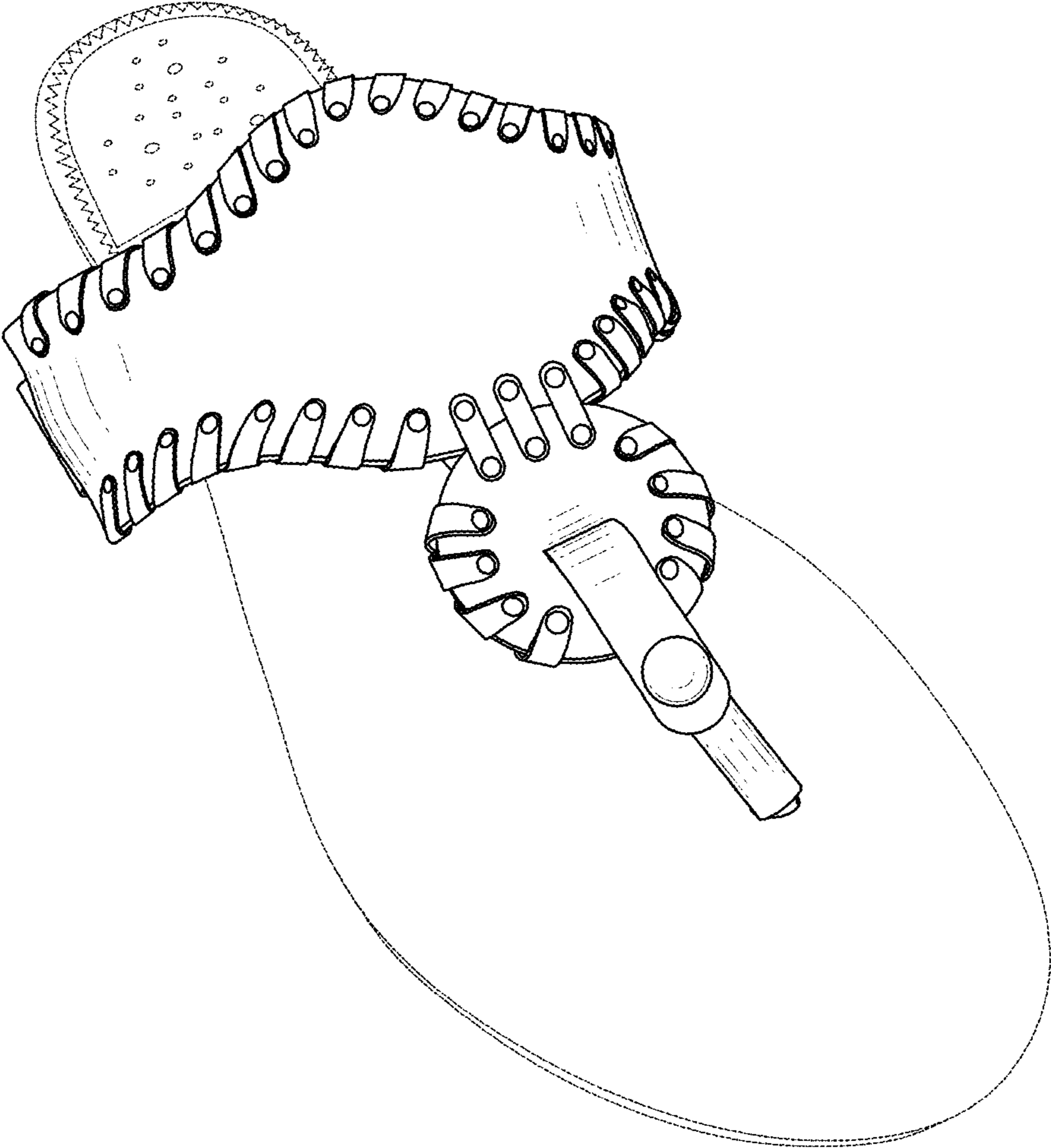


FIG. 2

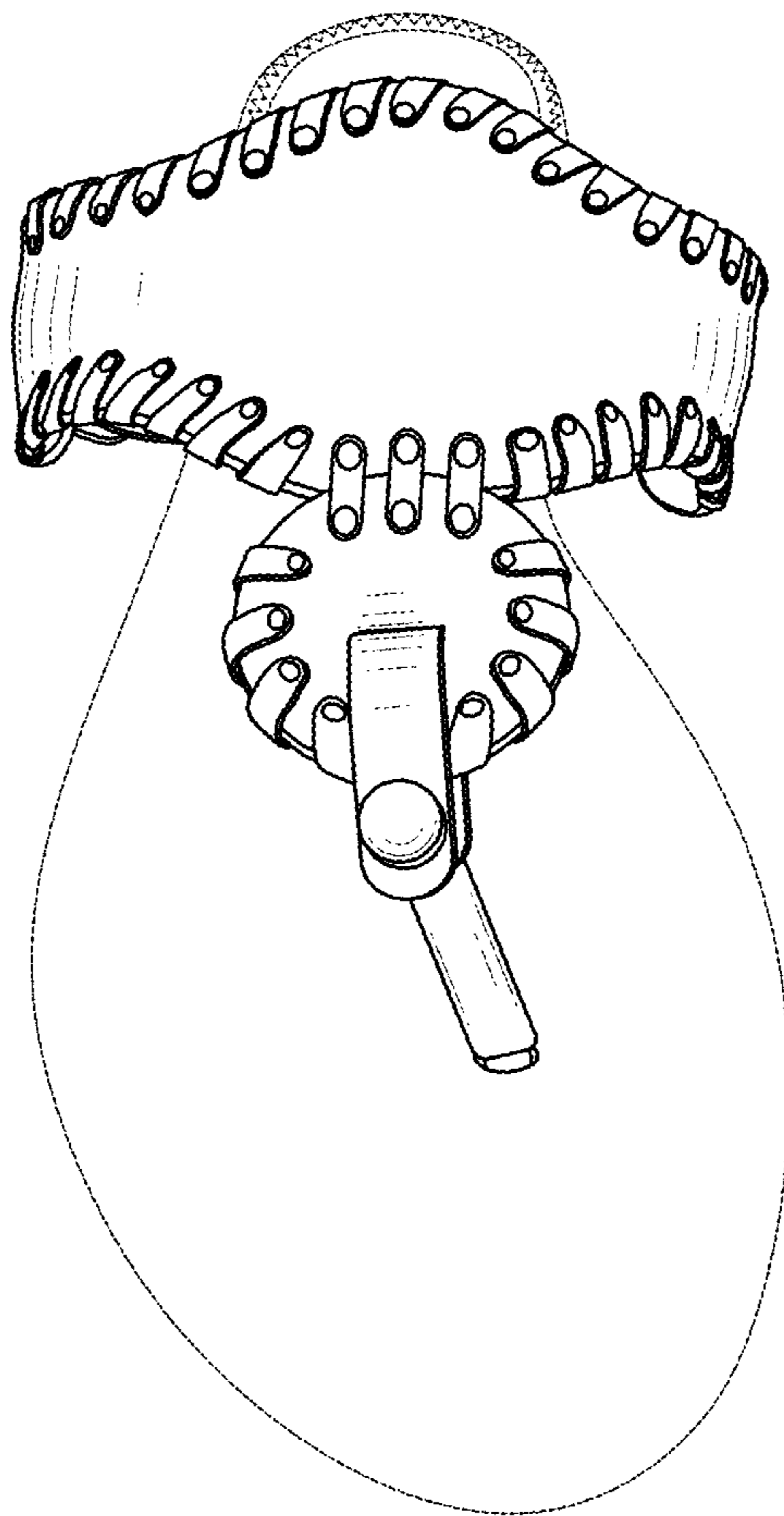


FIG. 3

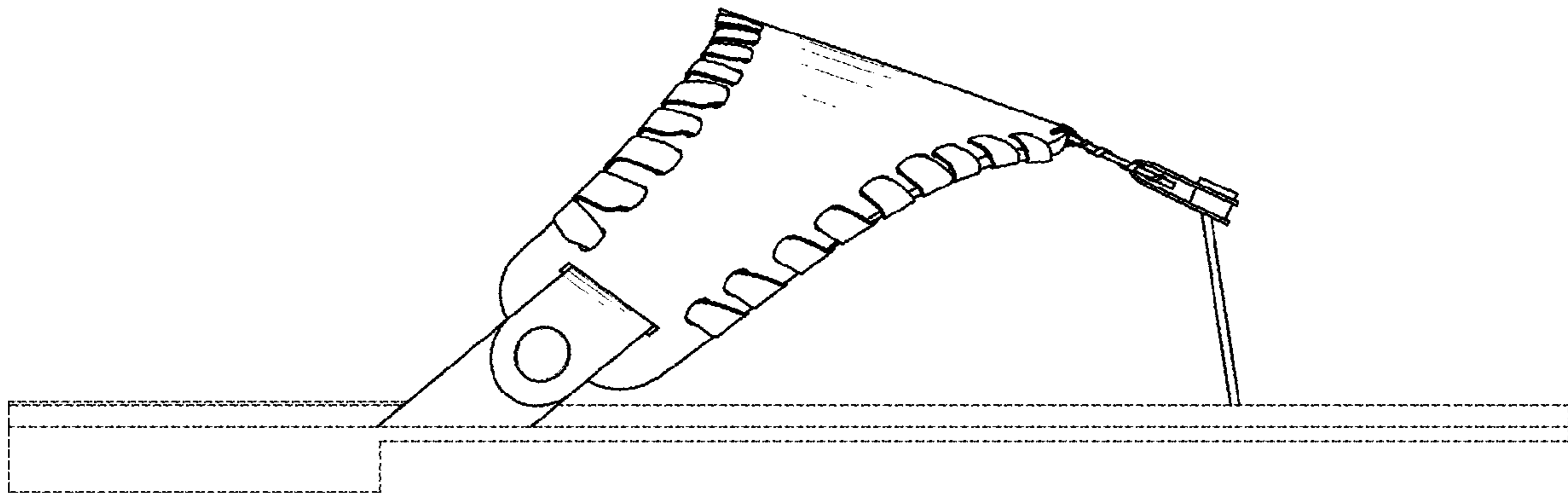


FIG. 4

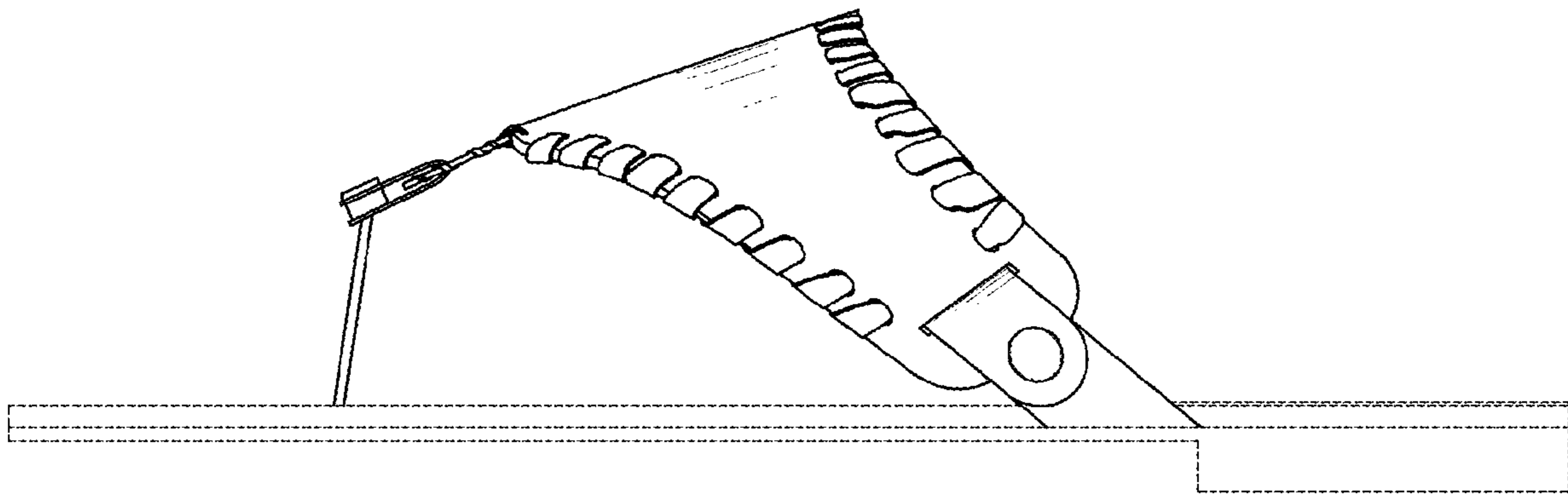


FIG. 5