



US00D871017S

(12) **United States Design Patent** (10) **Patent No.:** **US D871,017 S**
Butt et al. (45) **Date of Patent:** **** Dec. 31, 2019**

(54) **DENTAL STICK** 6,138,314 A * 10/2000 Schiff A46D 1/00
15/167.1
(71) Applicant: **Rondo Food GmbH & Co. KG,** D492,836 S * 7/2004 Lawrenson D1/106
Krefeld (DE) D575,612 S * 8/2008 Clampitt, Jr. D8/83
D649,740 S * 12/2011 Bredin D1/125
(72) Inventors: **Alan D. Butt,** Krefeld (DE); **Thilo** D661,868 S * 6/2012 Takeda D1/199
Kühne, Krefeld (DE) D666,705 S * 9/2012 Andersen D23/366
D683,517 S * 6/2013 Tansey D1/125
(73) Assignee: **Rondo Food GmbH & Co. KG,** D687,101 S * 7/2013 Sternberg D19/69
Krefeld (DE) D738,439 S * 9/2015 Kanbar D21/493
D789,650 S * 6/2017 Hansen D1/125
(**) Term: **15 Years** D804,741 S * 12/2017 Park D30/160
2006/0141105 A1 * 6/2006 Derrieu A01K 15/026
426/132
(21) Appl. No.: **29/603,826** 2017/0042192 A1 * 2/2017 She A23K 40/25

(22) Filed: **May 12, 2017**
(51) **LOC (12) Cl.** **01-01**
(52) **U.S. Cl.**
USPC **D1/125**
(58) **Field of Classification Search**
USPC D1/100-130, 199; 426/5, 76, 87, 92, 94,
426/95, 99, 101, 103, 104, 108, 134,
426/138-139, 143, 144, 279, 282, 283,
426/391, 514, 549, 559, 560, 660, 808;
D9/439; 521/50; 251/364; 220/574;
D8/8, 38, 40, 83; D21/487; D24/130;
D23/266; D15/139
CPC A23G 3/50; A23G 3/54; A23J 3/26; A23L
1/0067
See application file for complete search history.

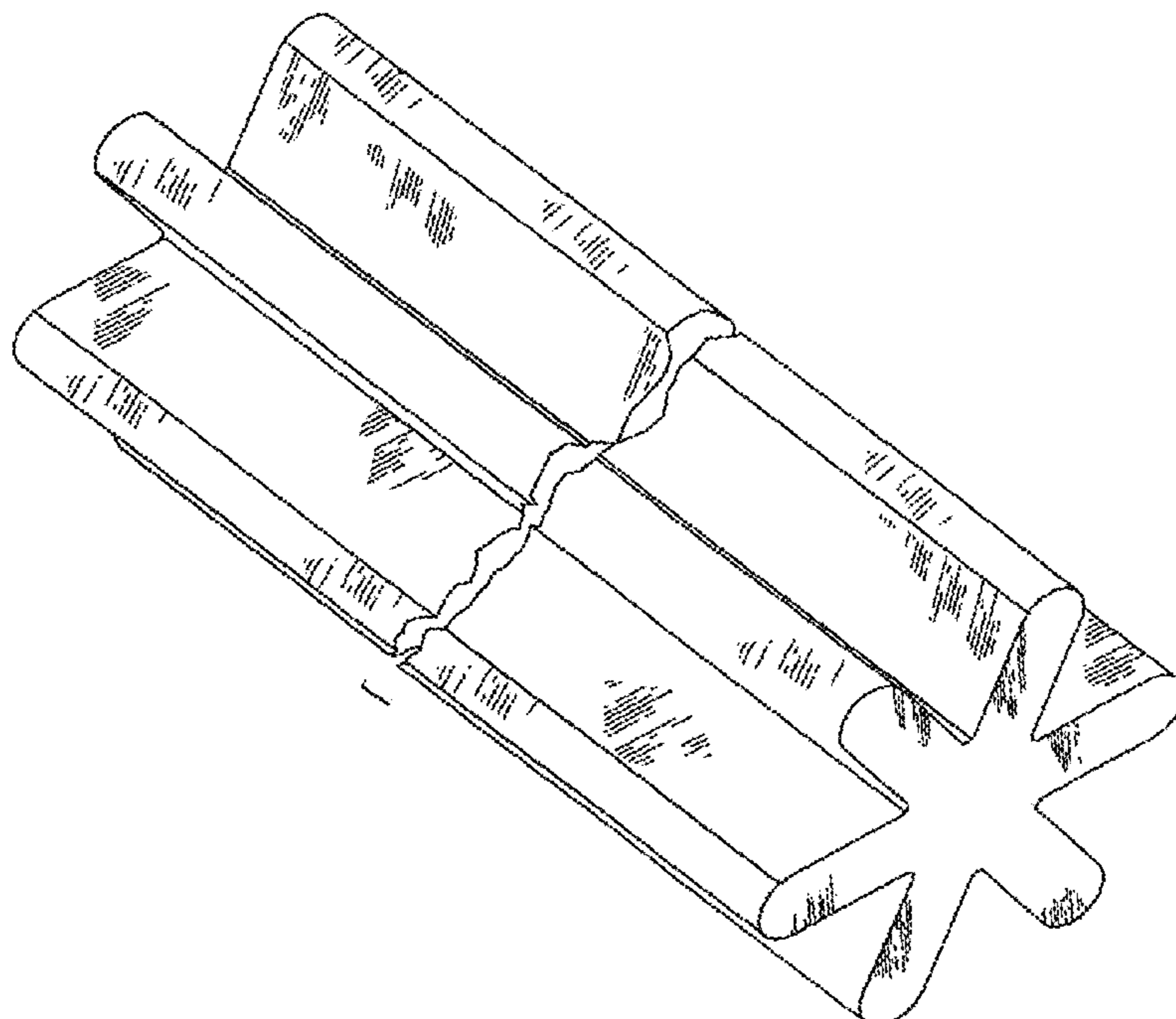
(56) **References Cited**
U.S. PATENT DOCUMENTS
4,584,226 A * 4/1986 Vitale B29C 53/564
156/172
5,725,954 A * 3/1998 Montsinger B29B 15/122
428/357

* cited by examiner
Primary Examiner — Katie Jane Stofko
(74) *Attorney, Agent, or Firm* — BakerHostetler

(57) **CLAIM**
The ornamental design for a dental stick, as shown and described.

DESCRIPTION
FIG. 1 is a perspective view of a dental stick;
FIG. 2 is a front elevation view thereof;
FIG. 3 is a top plan view thereof;
FIG. 4 is a side view thereof; and,
FIG. 5 is a bottom plan view thereof.
The break lines shown in the middle portion of the dental stick in FIGS. 1 and 3-5 indicate that the appearance of any portion of the article between the break lines forms no part of the claimed design.

1 Claim, 3 Drawing Sheets



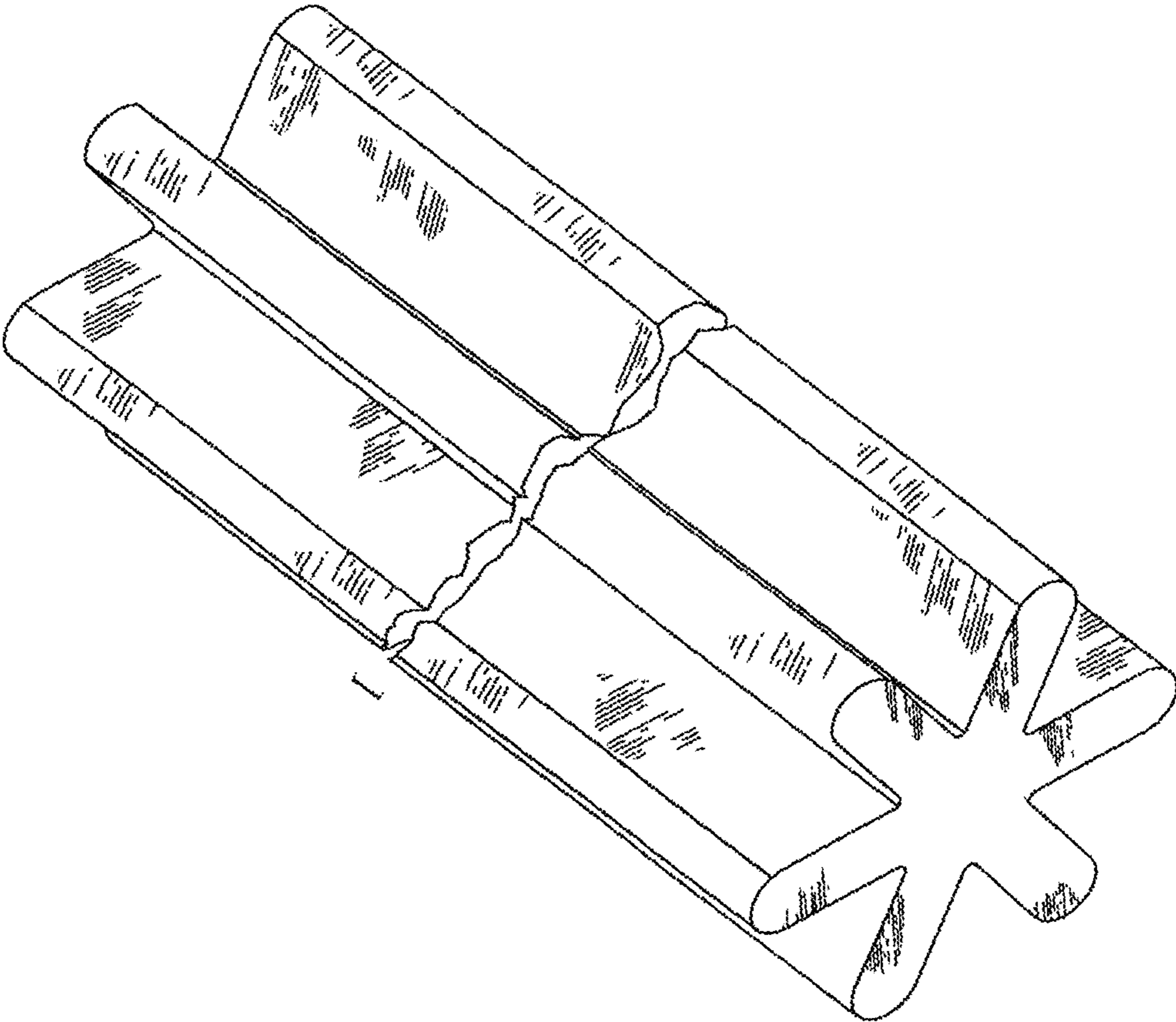


FIG. 1

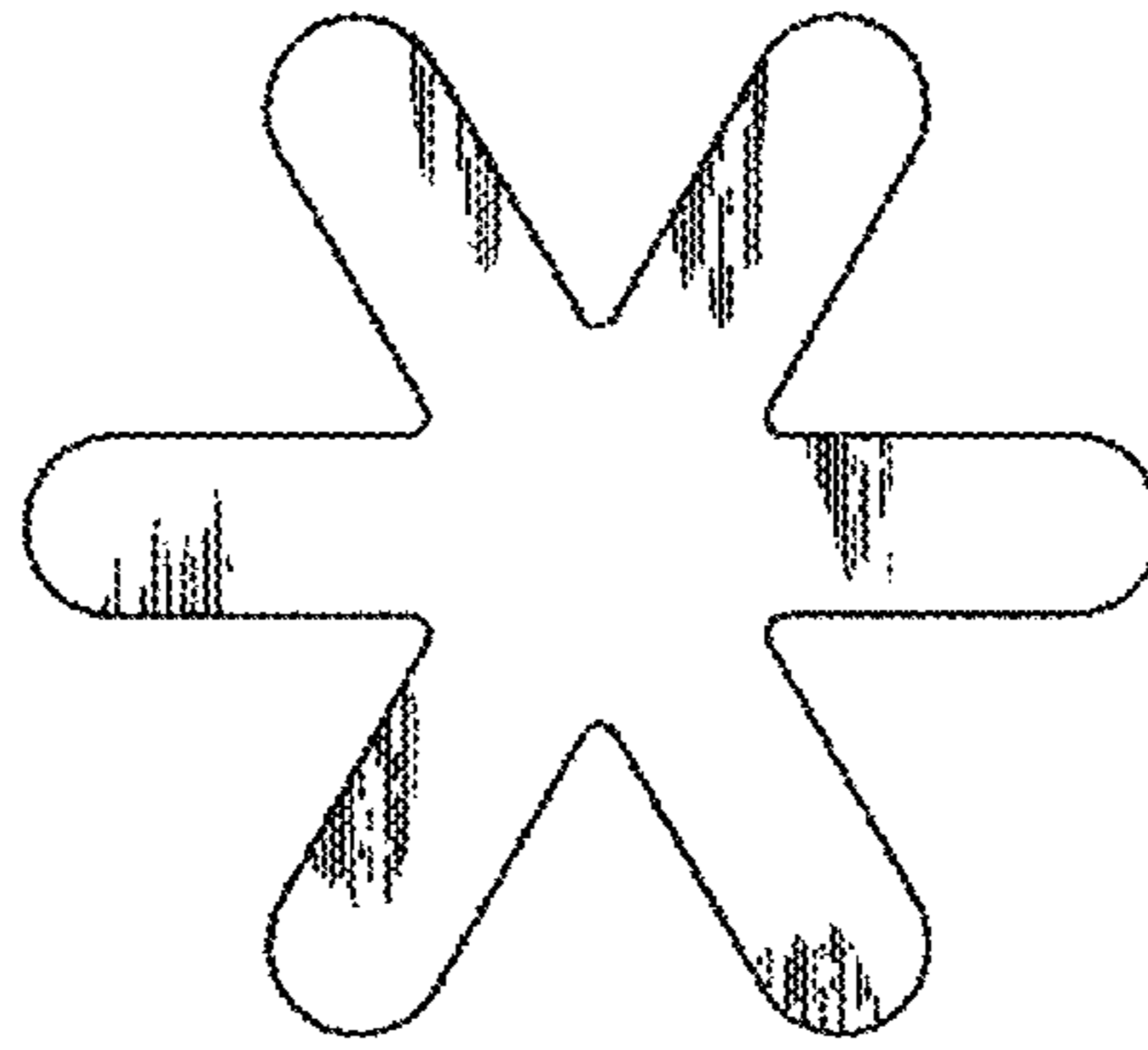


FIG. 2

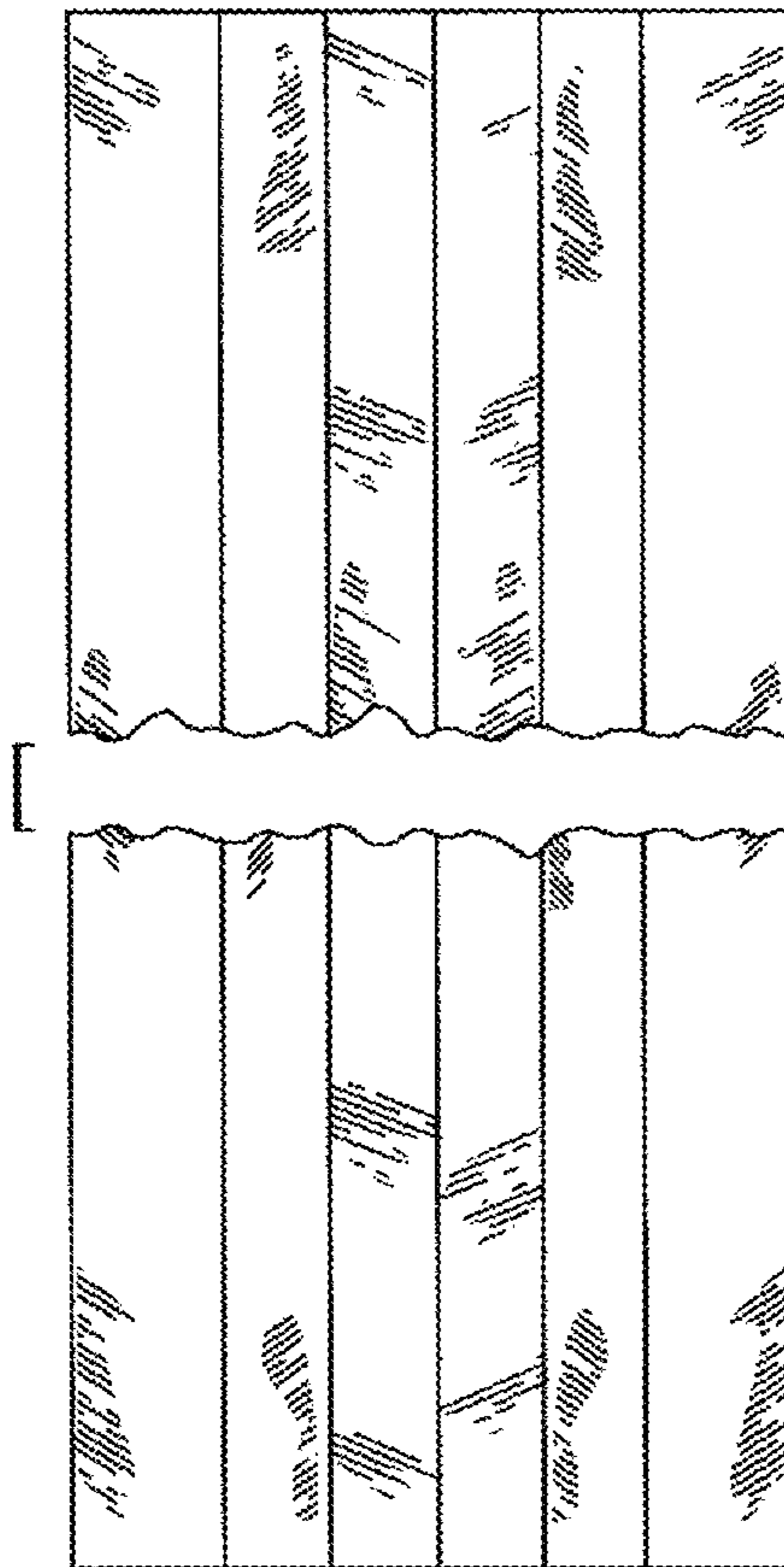


FIG. 3

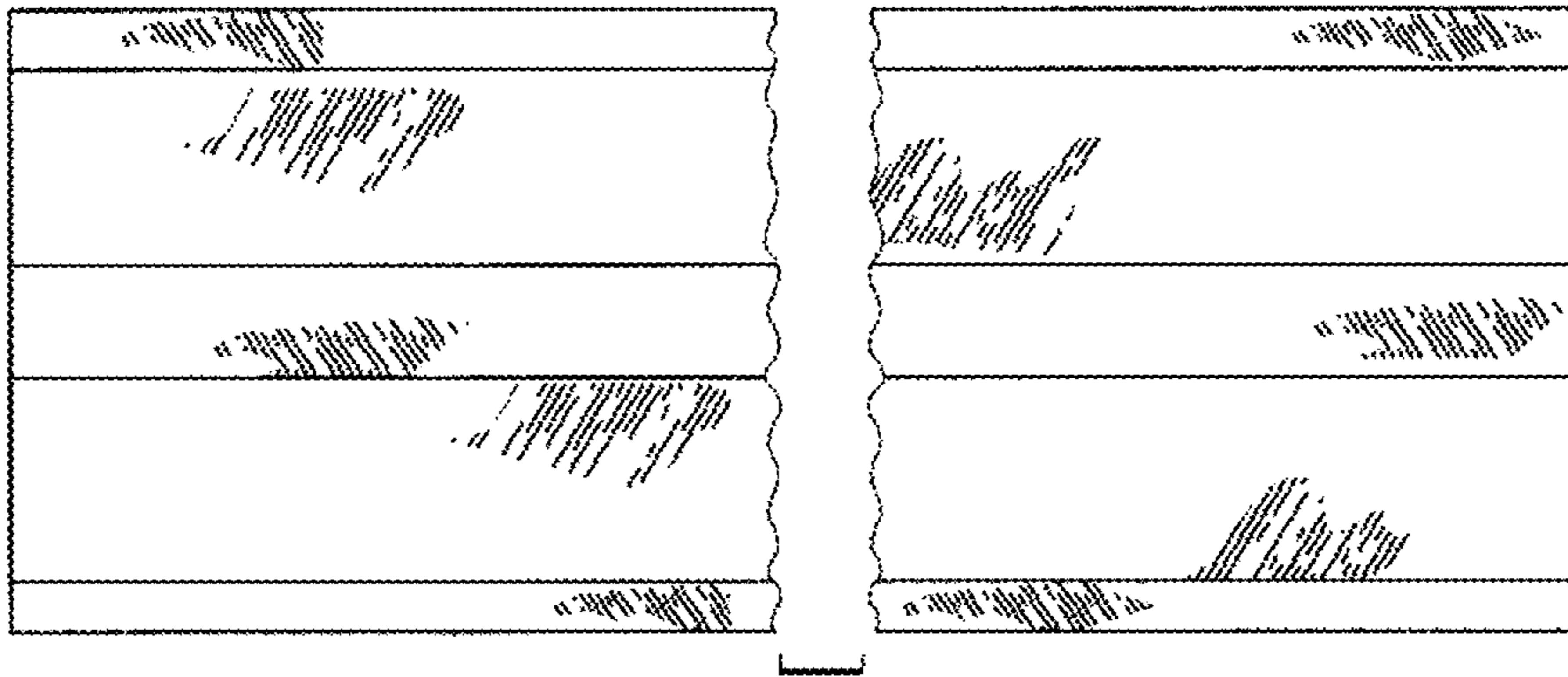


FIG. 4

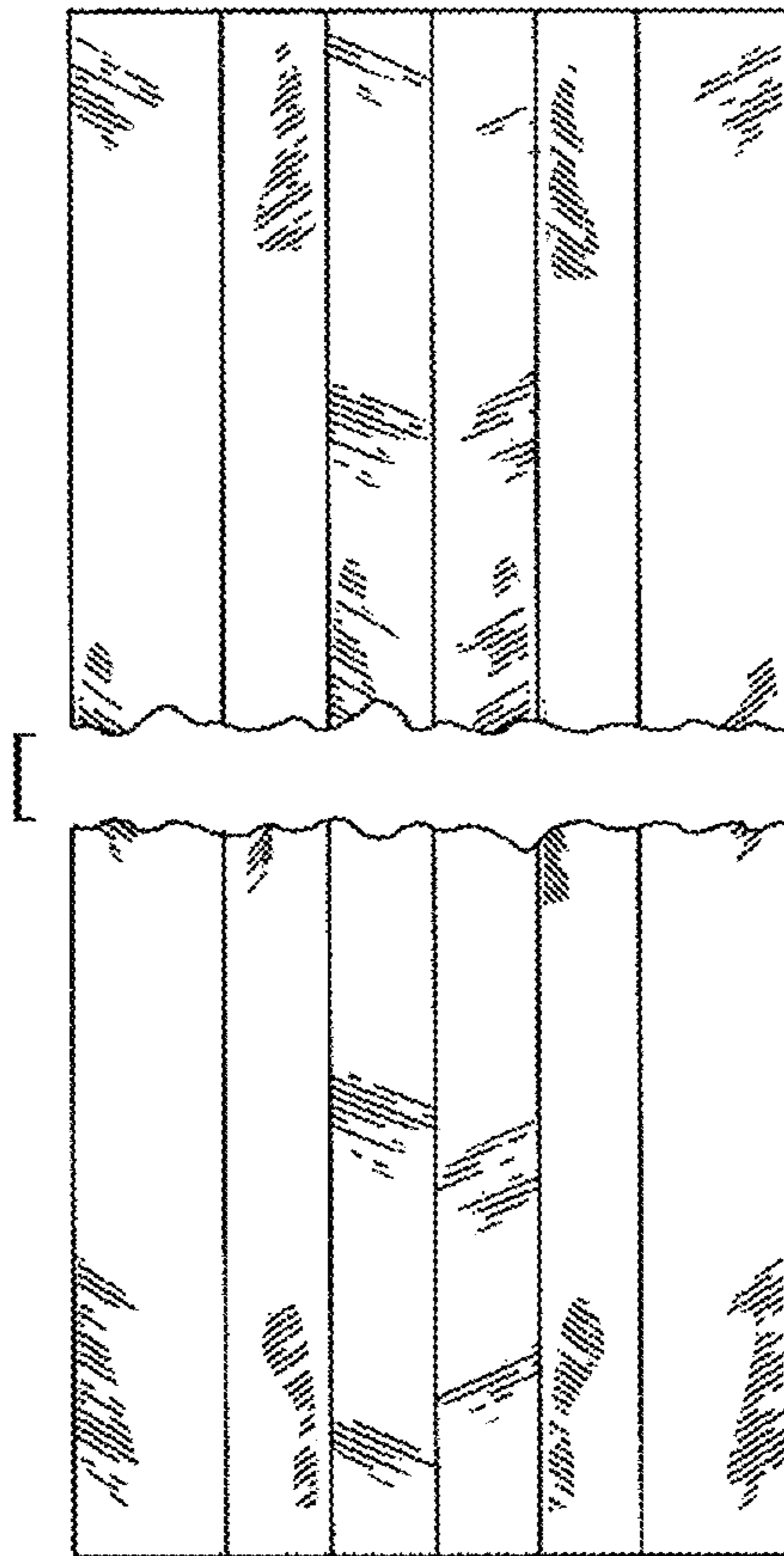


FIG. 5