



US00D871013S

(12) **United States Design Patent**  
**Liu**

(10) **Patent No.:** **US D871,013 S**

(45) **Date of Patent:** **\*\* Dec. 24, 2019**

(54) **UTILITY DOLLY BOARD**

D828,671 S \* 9/2018 Cope ..... D34/23  
2013/0154218 A1\* 6/2013 Tiilikainen ..... B62B 3/16  
280/79.11

(71) Applicant: **Michael Liu**, Qingdao (CN)

\* cited by examiner

(72) Inventor: **Michael Liu**, Qingdao (CN)

*Primary Examiner* — Cynthia Ramirez

(73) Assignee: **Qingdao Huatian Hand Truck Co., Ltd.**, Qingdao (CN)

(74) *Attorney, Agent, or Firm* — Hani Z. Sayed; Rutan & Tucker, LLP

(\*\*) Term: **15 Years**

(57) **CLAIM**

(21) Appl. No.: **29/640,030**

The ornamental design for utility dolly board, as shown and described.

(22) Filed: **Mar. 12, 2018**

**DESCRIPTION**

(51) **LOC (12) Cl.** ..... **12-02**

(52) **U.S. Cl.**

USPC ..... **D34/23**

(58) **Field of Classification Search**

USPC ..... D34/23, 12

CPC ..... B62B 2202/90; B62B 3/1476; B62B 3/16

See application file for complete search history.

FIG. 1 is a top, front, right side perspective view of a utility dolly board showing my new design; FIG. 2 is a front elevation view thereof; FIG. 3 is a rear elevation view thereof; FIG. 4 is a left side elevation view thereof; FIG. 5 is a right side elevation view thereof; FIG. 6 is a top plan view thereof; and, FIG. 7 is a bottom plan view thereof.

The broken lines in the figures are for the purpose of illustrating portions of the utility dolly board that form no part of the claimed design.

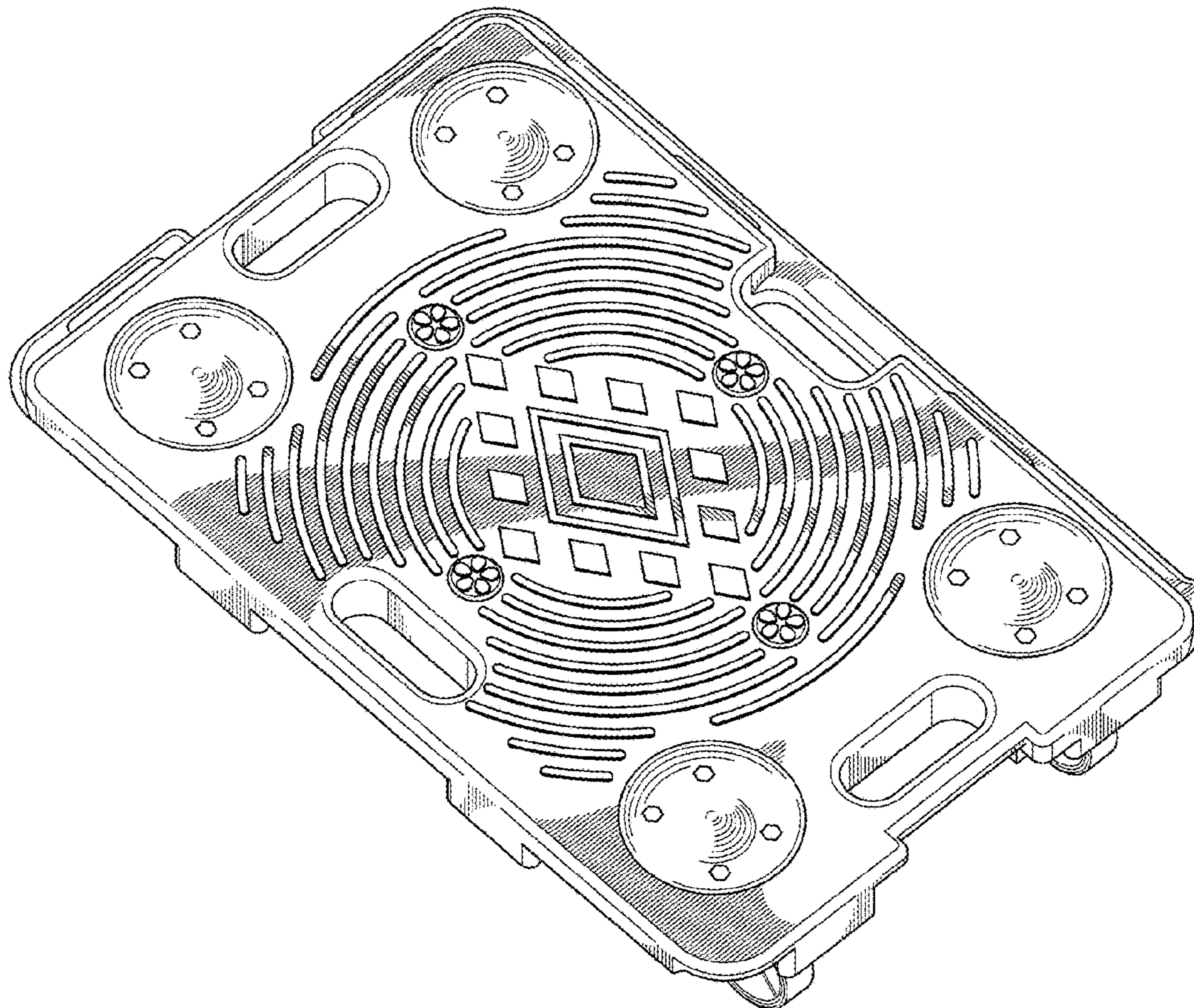
(56) **References Cited**

U.S. PATENT DOCUMENTS

D437,669 S \* 2/2001 Blason ..... D34/23

D456,972 S \* 5/2002 Blason ..... D34/23

**1 Claim, 5 Drawing Sheets**



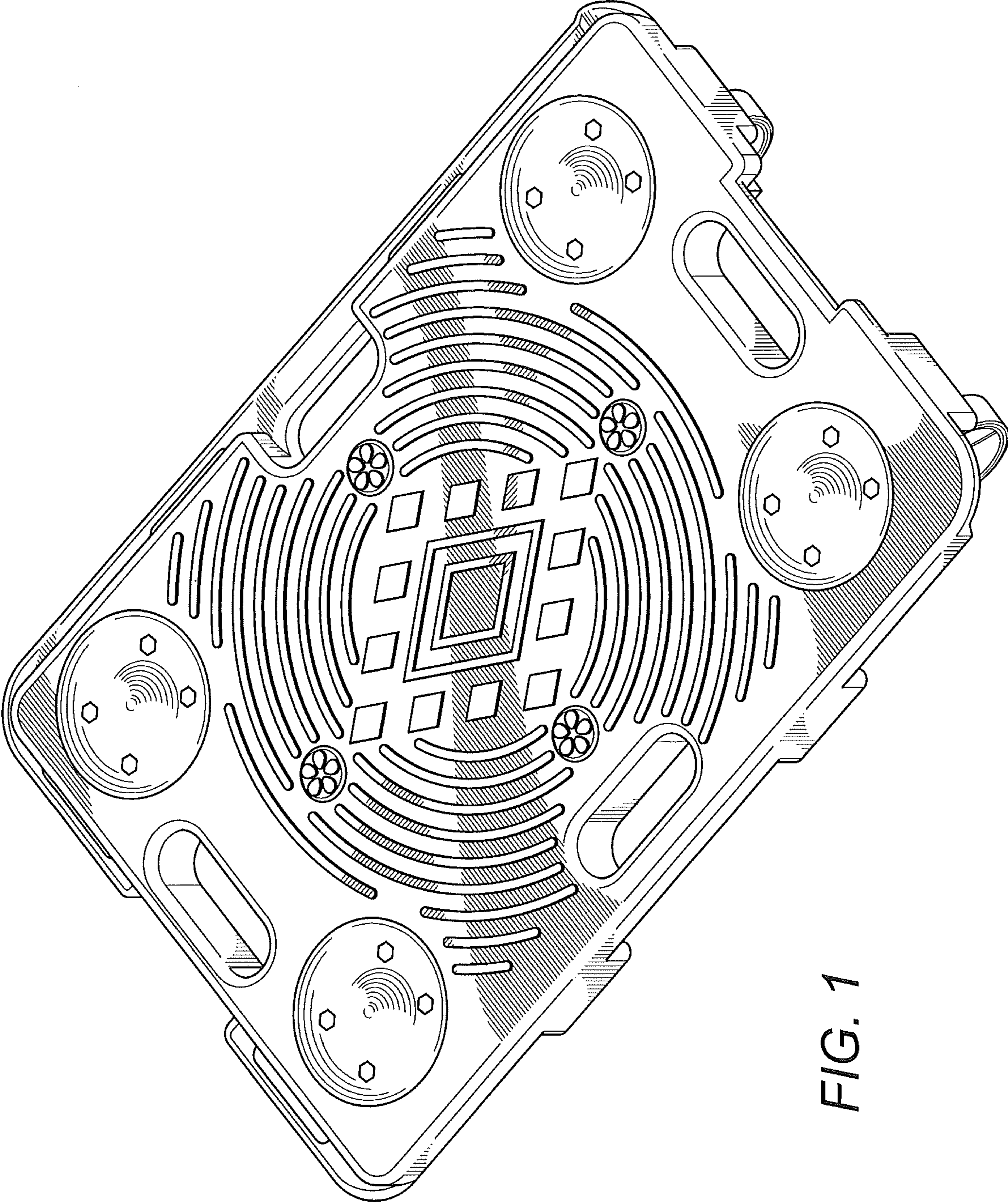


FIG. 1

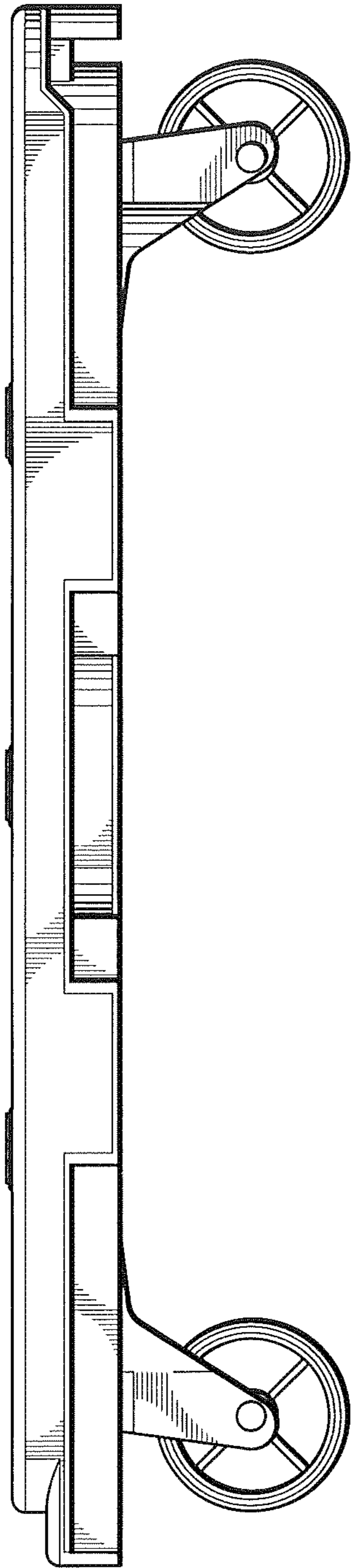


FIG. 2

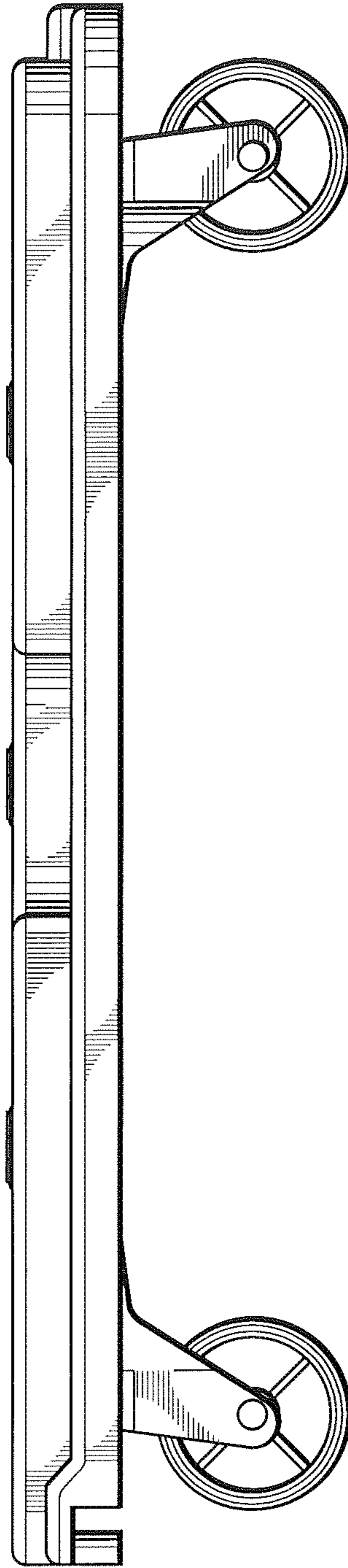


FIG. 3

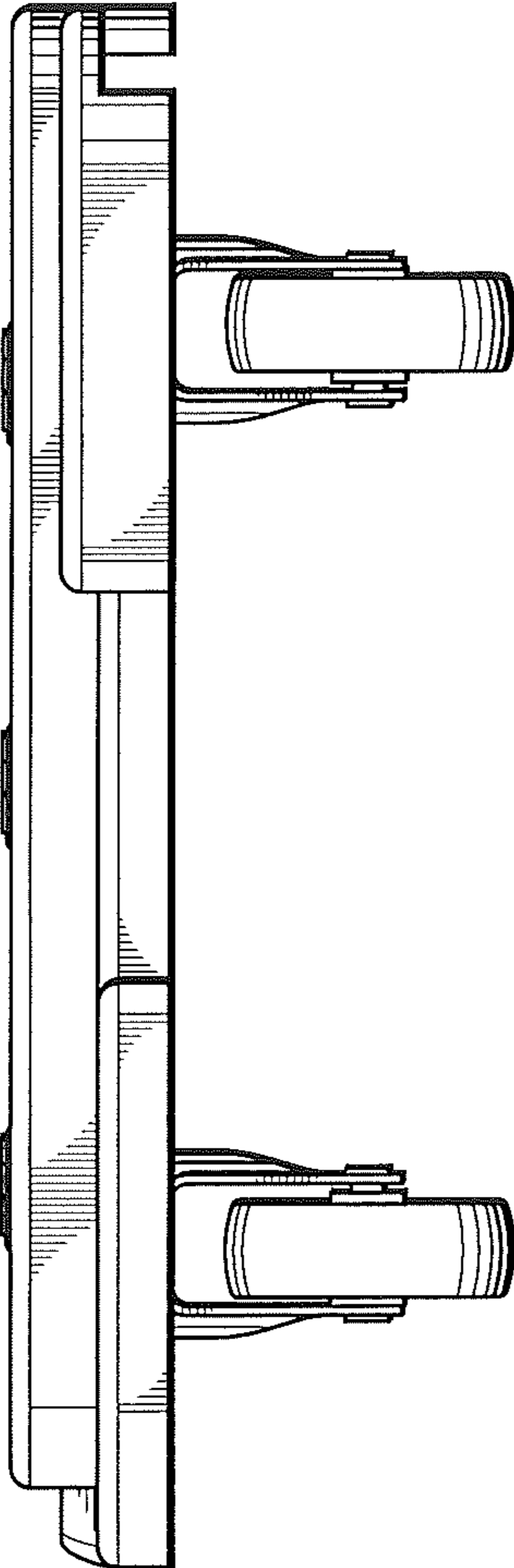


FIG. 4

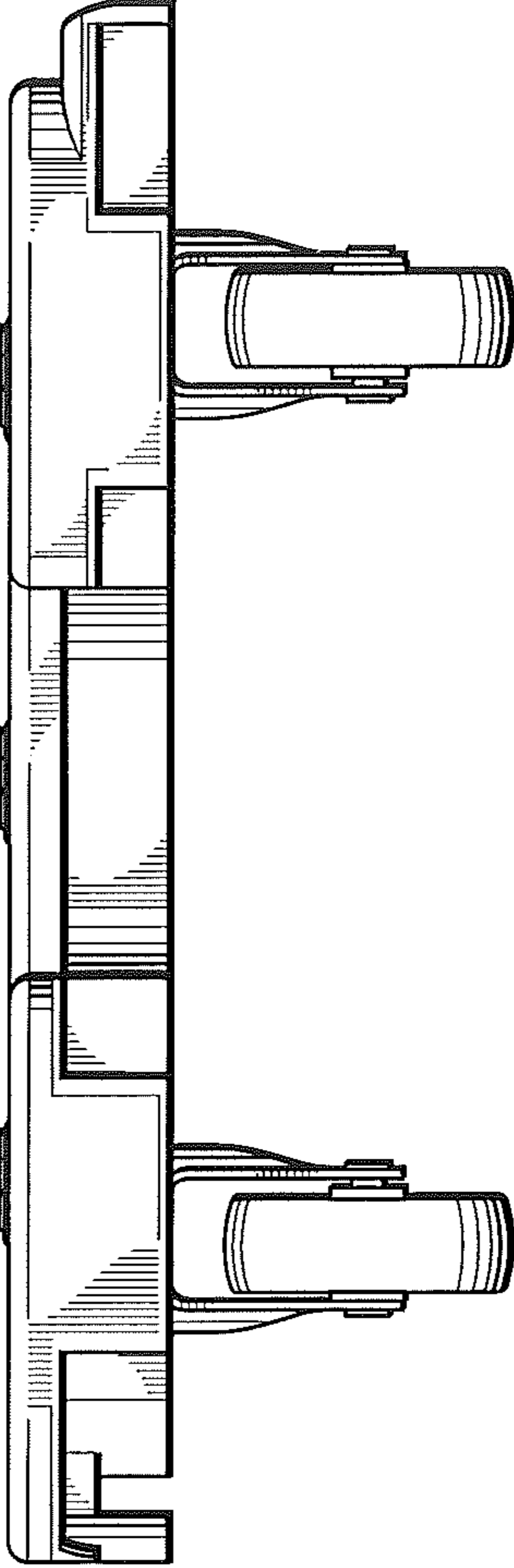


FIG. 5

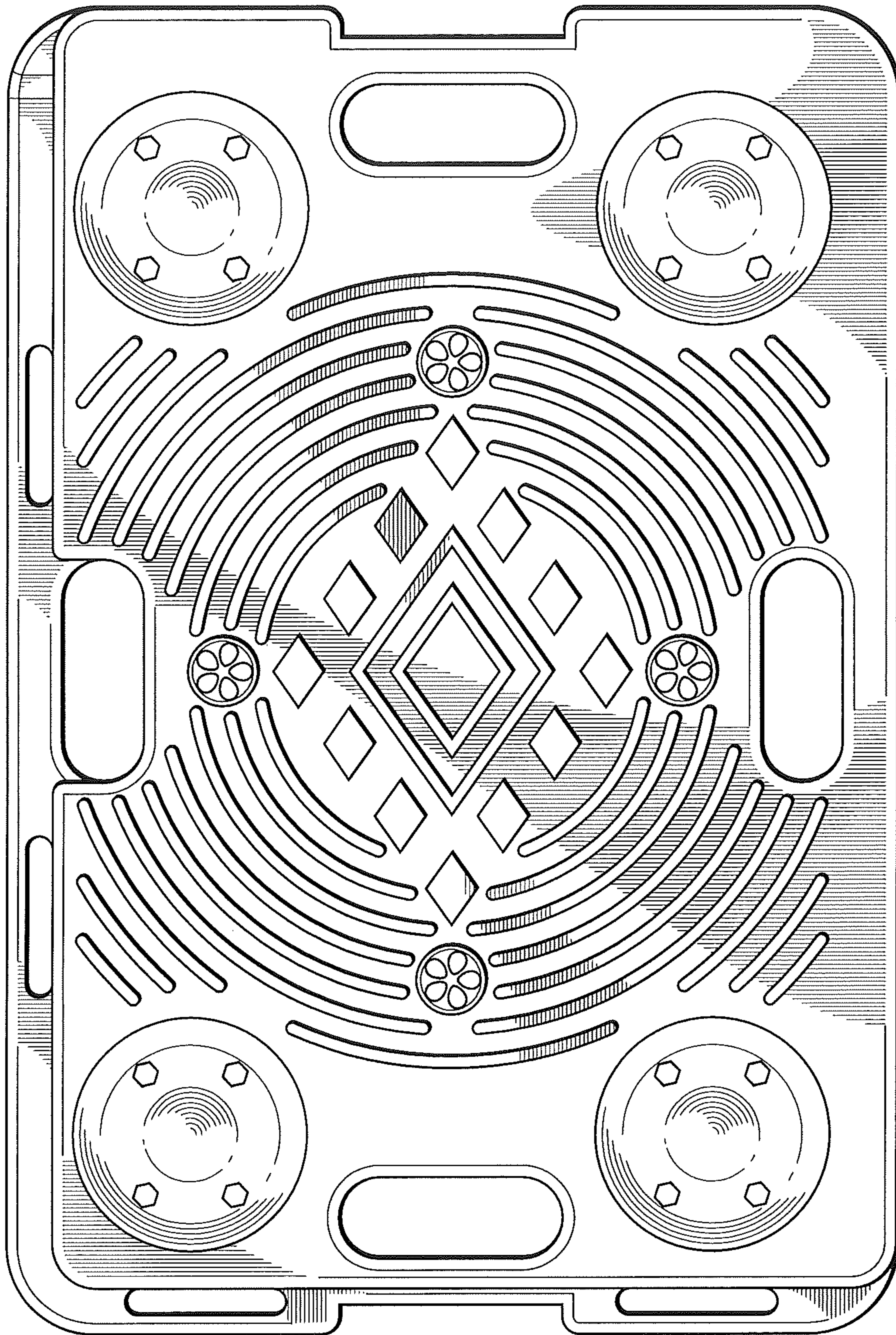


FIG. 6

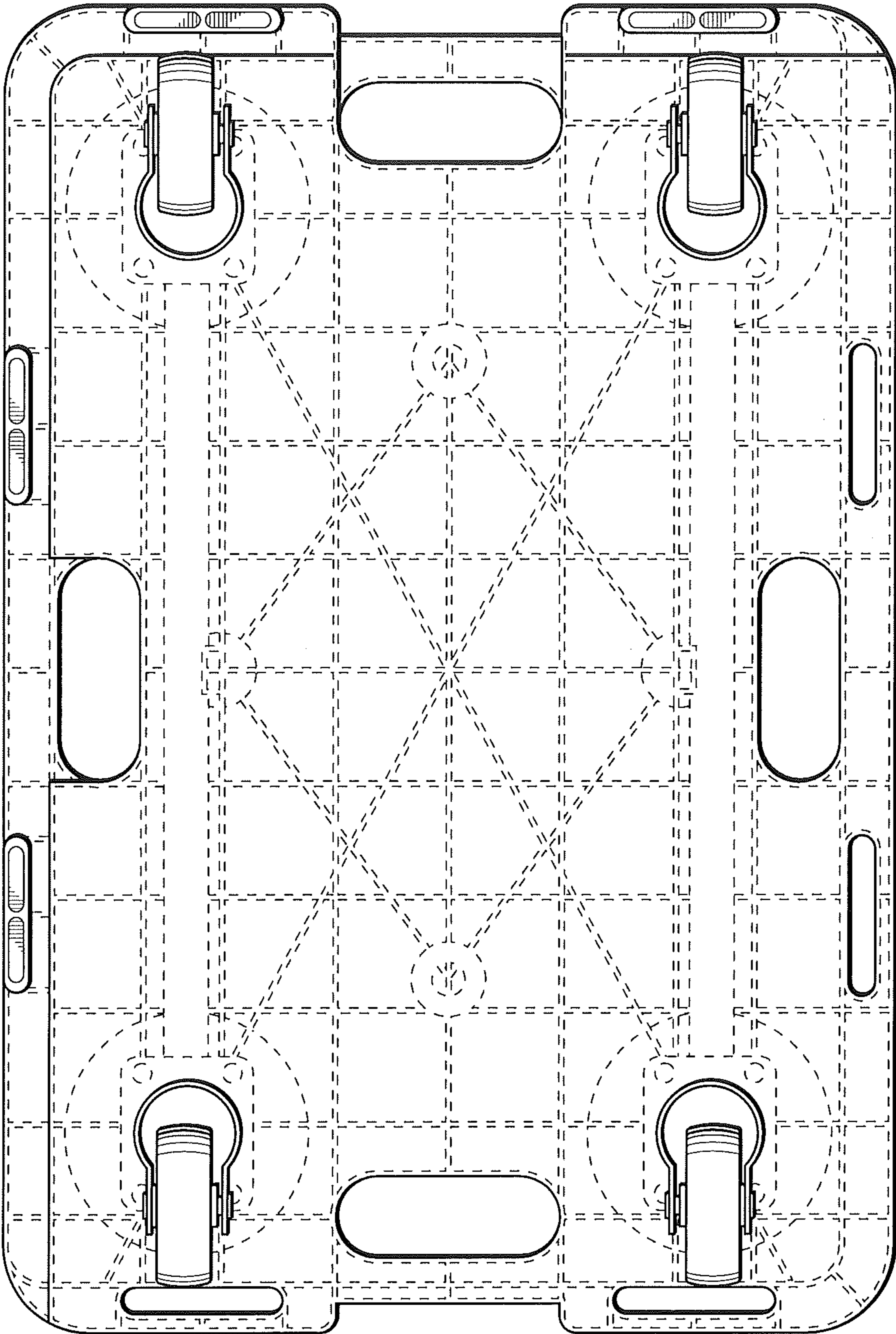


FIG. 7