



US00D871011S

(12) **United States Design Patent**
Serfas et al.

(10) **Patent No.:** **US D871,011 S**
(45) **Date of Patent:** **** Dec. 24, 2019**

(54) **LOBBY DUSTPAN**

(71) Applicant: **R.S. Quality Products Inc**, Allentown, PA (US)

(72) Inventors: **Adam H. Serfas**, Allentown, PA (US);
Robert L. Serfas, Allentown, PA (US);
David D. McClanahan, Harleysville, PA (US)

(73) Assignee: **R.S. Quality Products Inc**, Allentown, PA (US)

(**) Term: **15 Years**

(21) Appl. No.: **29/623,240**

(22) Filed: **Oct. 24, 2017**

(51) **LOC (12) Cl.** **07-05**

(52) **U.S. Cl.**
USPC **D32/74**

(58) **Field of Classification Search**
USPC D32/74, 41; D30/162; D7/691, 688;
D4/116; 15/257.5, 257.3, 257.2, 257.1;
134/6

(Continued)

(56) **References Cited**

U.S. PATENT DOCUMENTS

D342,358 S * 12/1993 Castro D32/74
D441,933 S * 5/2001 Savage D32/74

(Continued)

Primary Examiner — Austin Murphy

(74) *Attorney, Agent, or Firm* — Invention To Patent Services; Alex Hobson

(57) **CLAIM**

The ornamental design for a lobby dustpan, as shown and described.

DESCRIPTION

FIG. 1 is a front prospective view of the lobby dustpan with the lid closed;

FIG. 2 is a front prospective view of the lobby dustpan with the lid open;

FIG. 3 is a back prospective view of the lobby dustpan with the lid closed;

FIG. 4 is a back prospective view of the lobby dustpan with the lid open;

FIG. 5 is a right side view of the lobby dustpan with the lid open;

FIG. 6 is a left side view of the lobby dustpan with the lid open;

FIG. 7 is a back view of the lobby dustpan with the lid open;

FIG. 8 is a top view of the lobby dustpan with the lid open;

FIG. 9 is a top view of the lobby dustpan with the lid closed;

FIG. 10 is a bottom view of the lobby dustpan with the lid closed;

FIG. 11 is a bottom view of the lobby dustpan with the lid open;

FIG. 12 is a right side view of the lobby dustpan with the lid open;

FIG. 13 is a left side view of the lobby dustpan with the lid open;

FIG. 14 is a right side perspective view of the lid detached from the bucket of the lobby dustpan for ease of illustration;

FIG. 15 is a left side perspective view of the lid detached from the bucket of the lobby dustpan for ease of illustration;

FIG. 16 is a bottom view of the lid detached from the bucket of the lobby dustpan for ease of illustration;

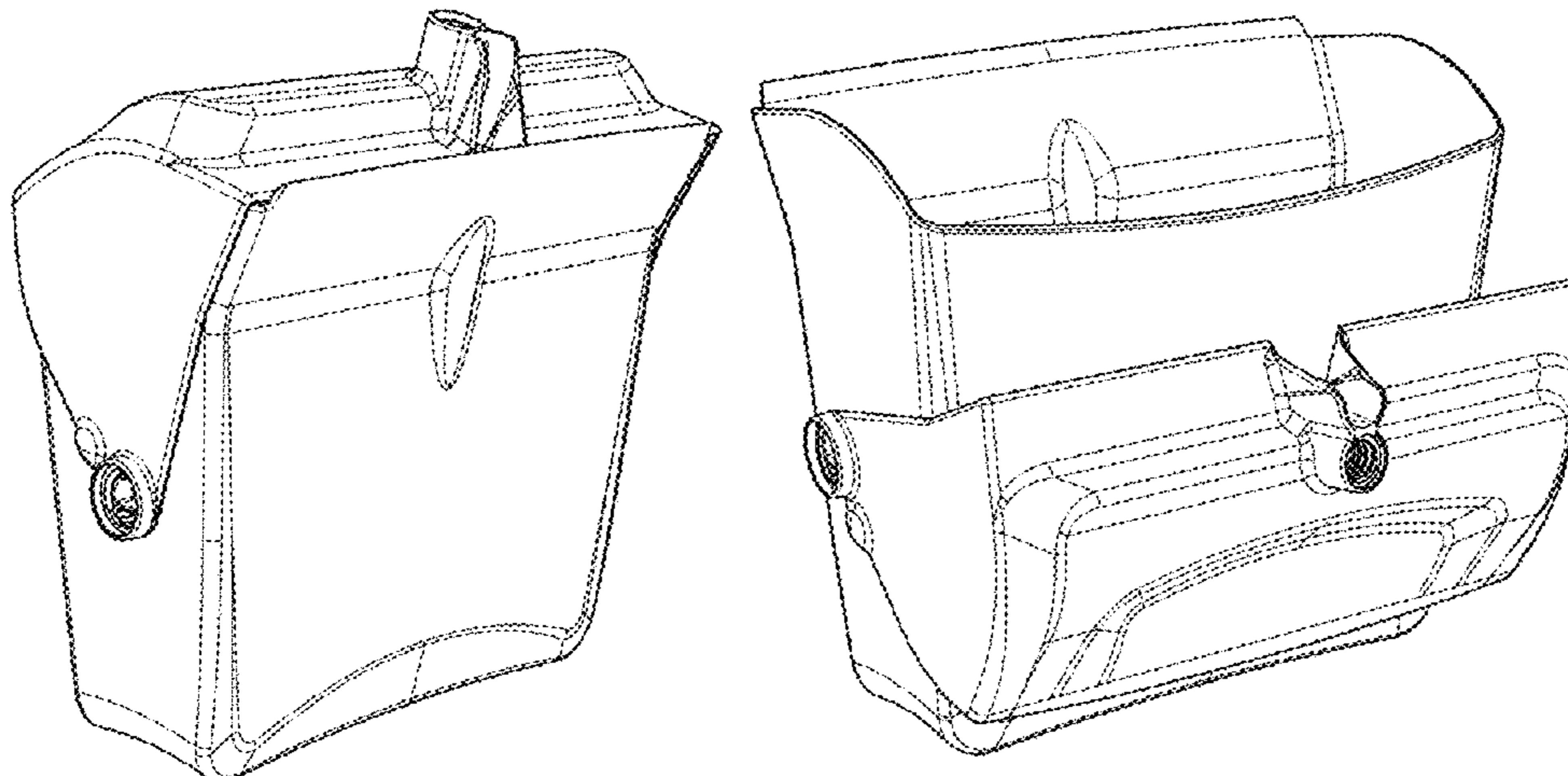
FIG. 17 is a top view of the lid detached from the bucket of the lobby dustpan for ease of illustration;

FIG. 18 is a front view of the bucket with the lid detached for ease of illustration;

FIG. 19 is a right side view of the bucket with the lid detached for ease of illustration; and,

FIG. 20 is a left side view of the bucket with the lid detached for ease of illustration.

1 Claim, 20 Drawing Sheets



(58) **Field of Classification Search**

CPC A47L 13/52; A47L 13/51; A46B 15/00;
 A46B 15/0097; A46B 15/0095; A46B
 17/04; A46B 5/00; A46B 2200/302
 See application file for complete search history.

(56) **References Cited**

U.S. PATENT DOCUMENTS

D461,610	S	*	8/2002	Perelli	D32/74
D463,642	S	*	9/2002	Morad	D32/74
D468,879	S	*	1/2003	Perelli	D32/74
D484,659	S	*	12/2003	Perelli	D32/74
6,732,402	B1	*	5/2004	Hsu	A47L 13/52 15/257.6
D493,265	S	*	7/2004	Libman	D32/74
D545,022	S	*	6/2007	Morad	D32/74
D551,820	S	*	9/2007	Morad	D32/74
D586,519	S	*	2/2009	Casteel	D32/74
D594,618	S	*	6/2009	ekercicio lu	D32/74
D599,073	S	*	8/2009	Caleca	D32/74
D601,769	S	*	10/2009	Cox	D32/74
D636,139	S	*	4/2011	Jones	D32/74
D695,471	S	*	12/2013	Buhagiar	D30/162
D824,629	S	*	7/2018	Libman	D32/74
D824,630	S	*	7/2018	Libman	D32/74
D834,276	S	*	11/2018	Gregory	D32/74
D836,277	S	*	12/2018	Re	D32/74
10,201,262	B1	*	2/2019	Serfas	A47L 13/51
D845,574	S	*	4/2019	Martino	D32/74

* cited by examiner

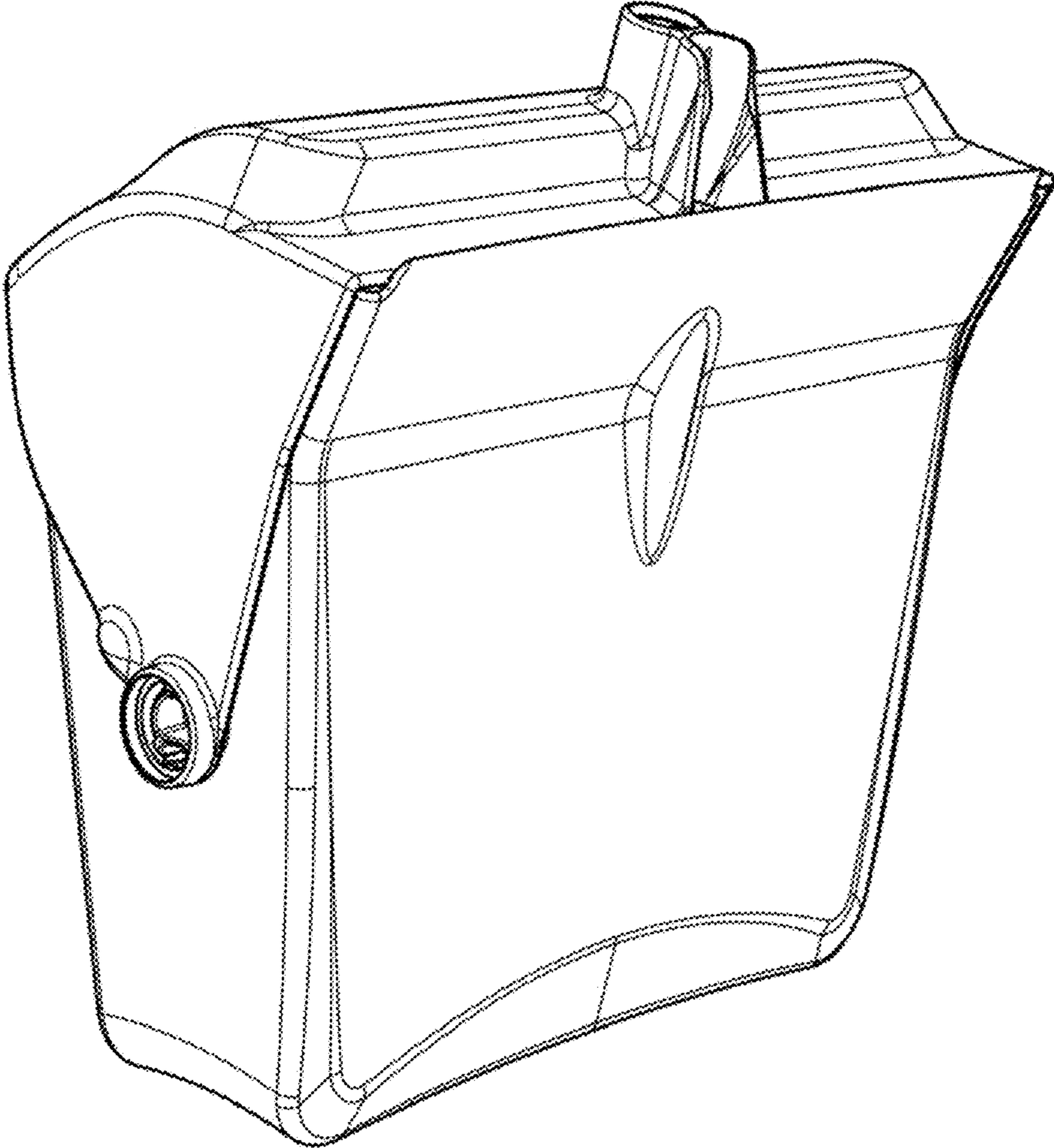


FIG. 1

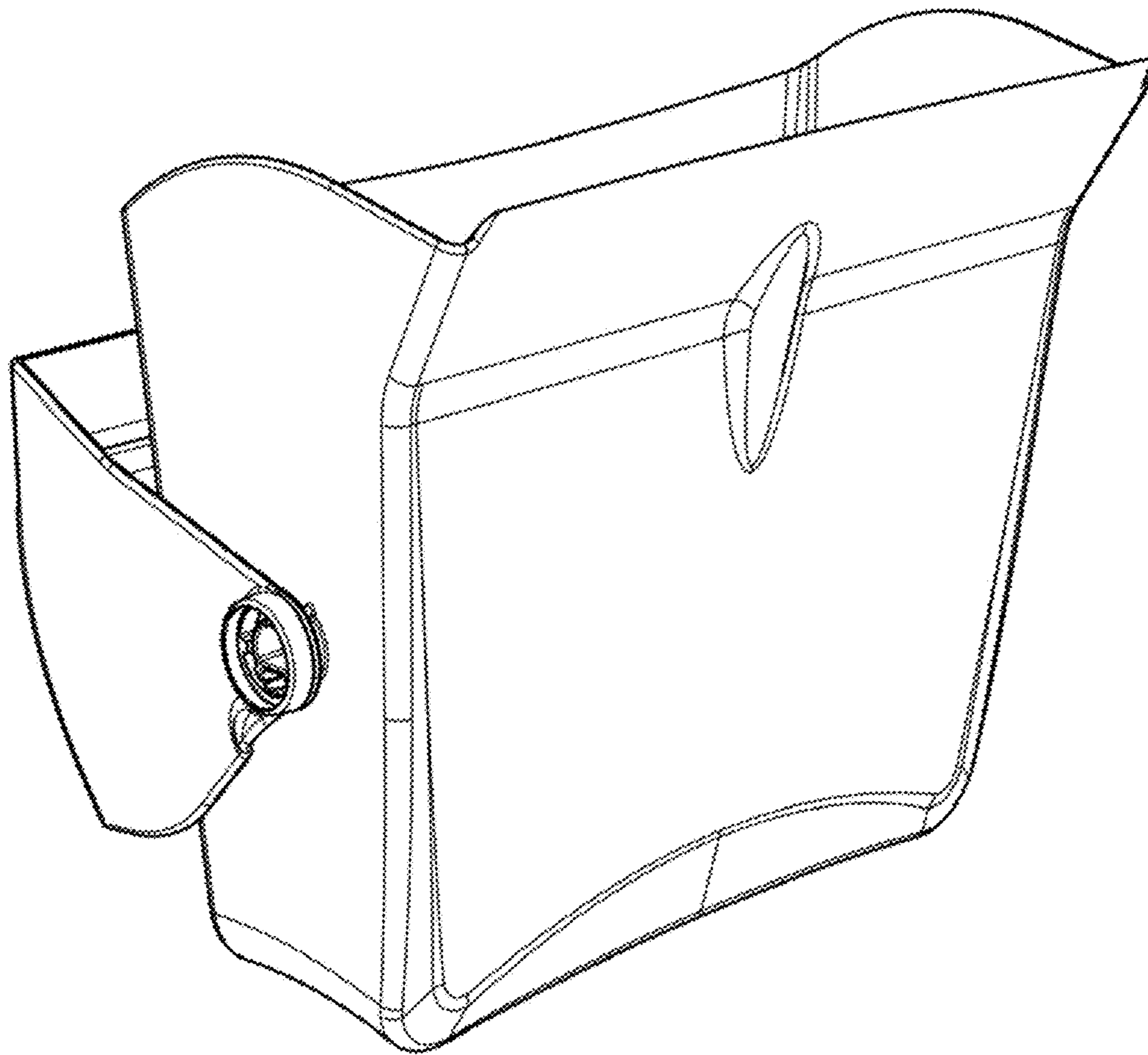


FIG. 2

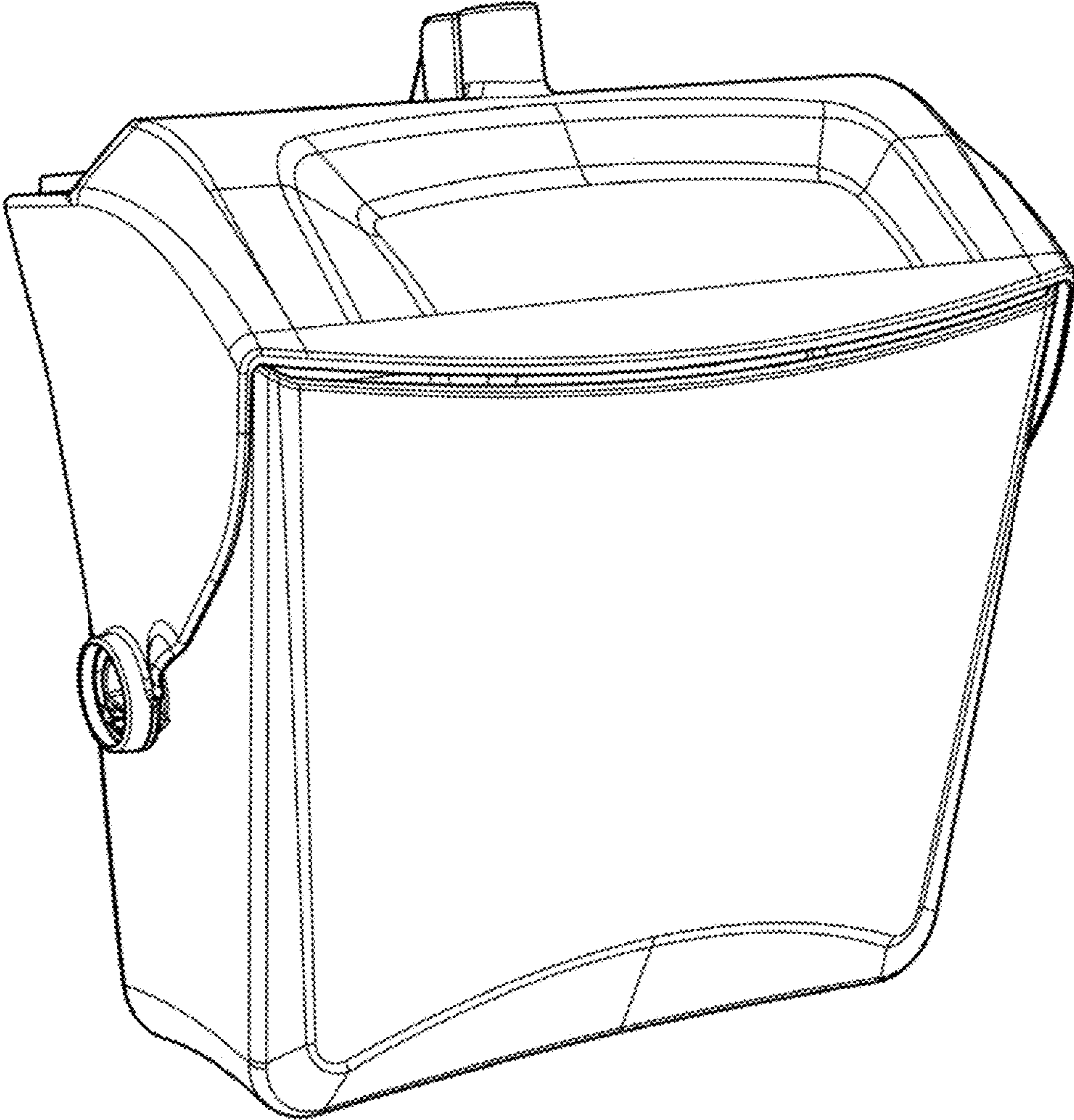


FIG. 3

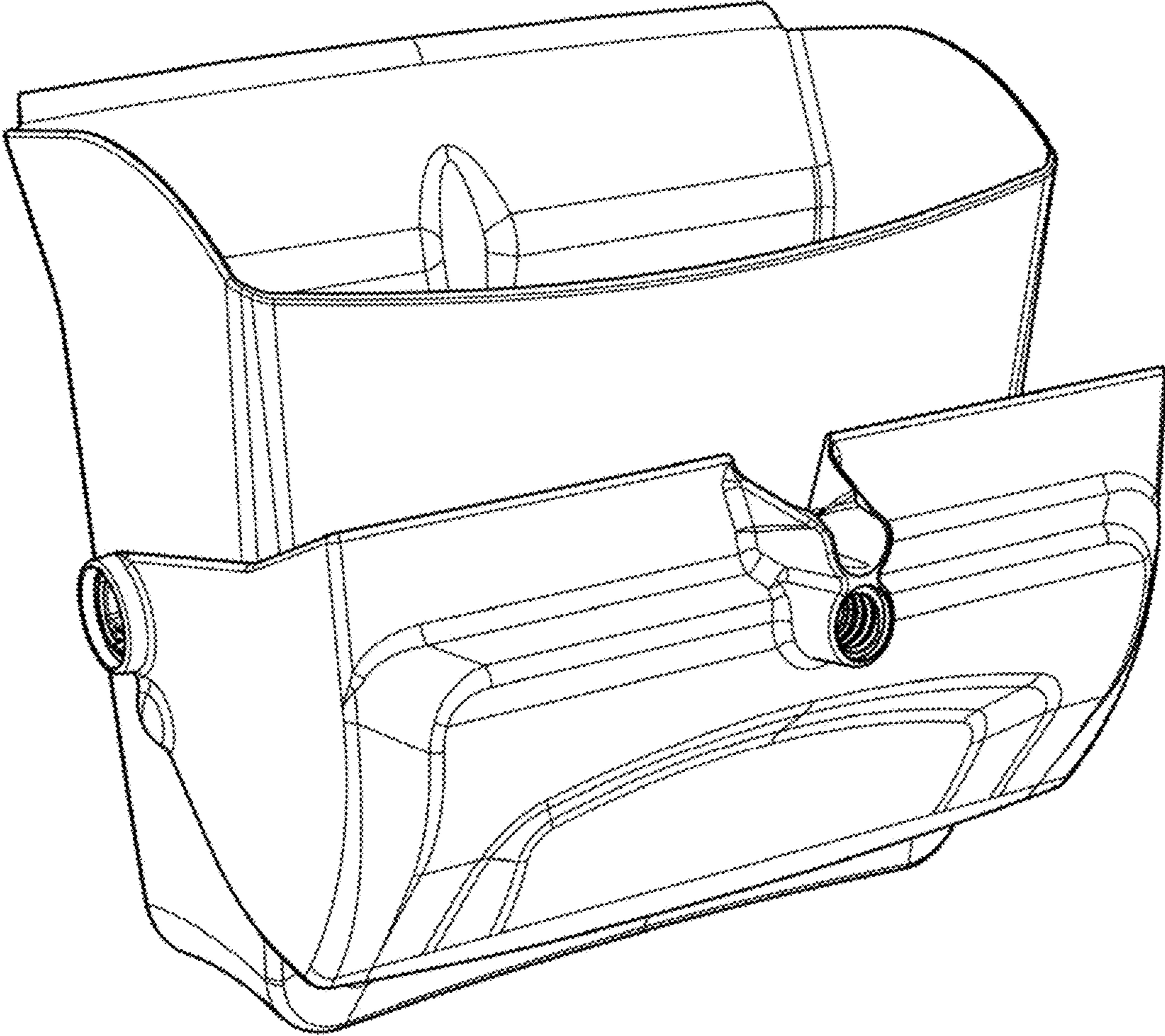


FIG. 4

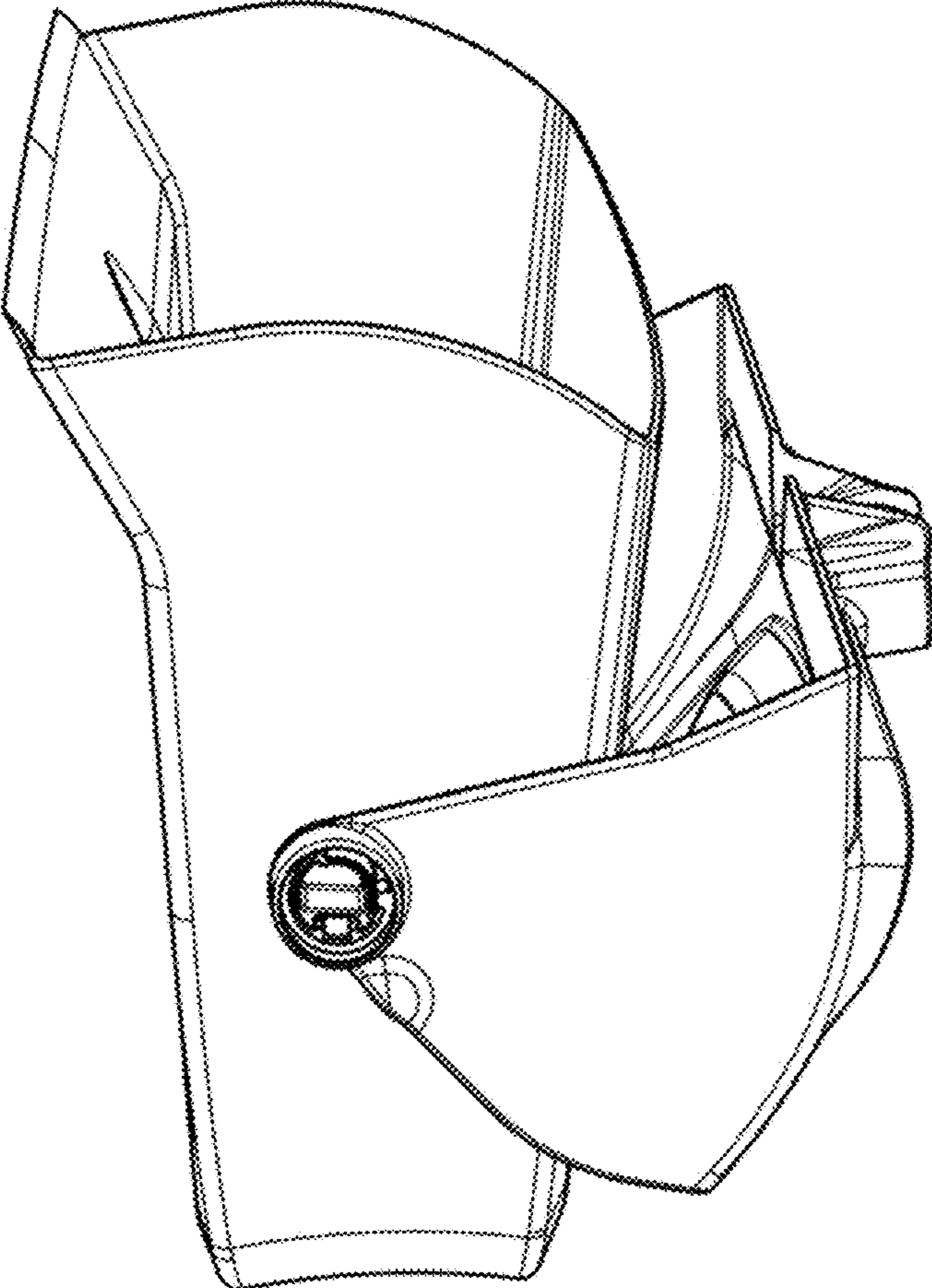


FIG. 5

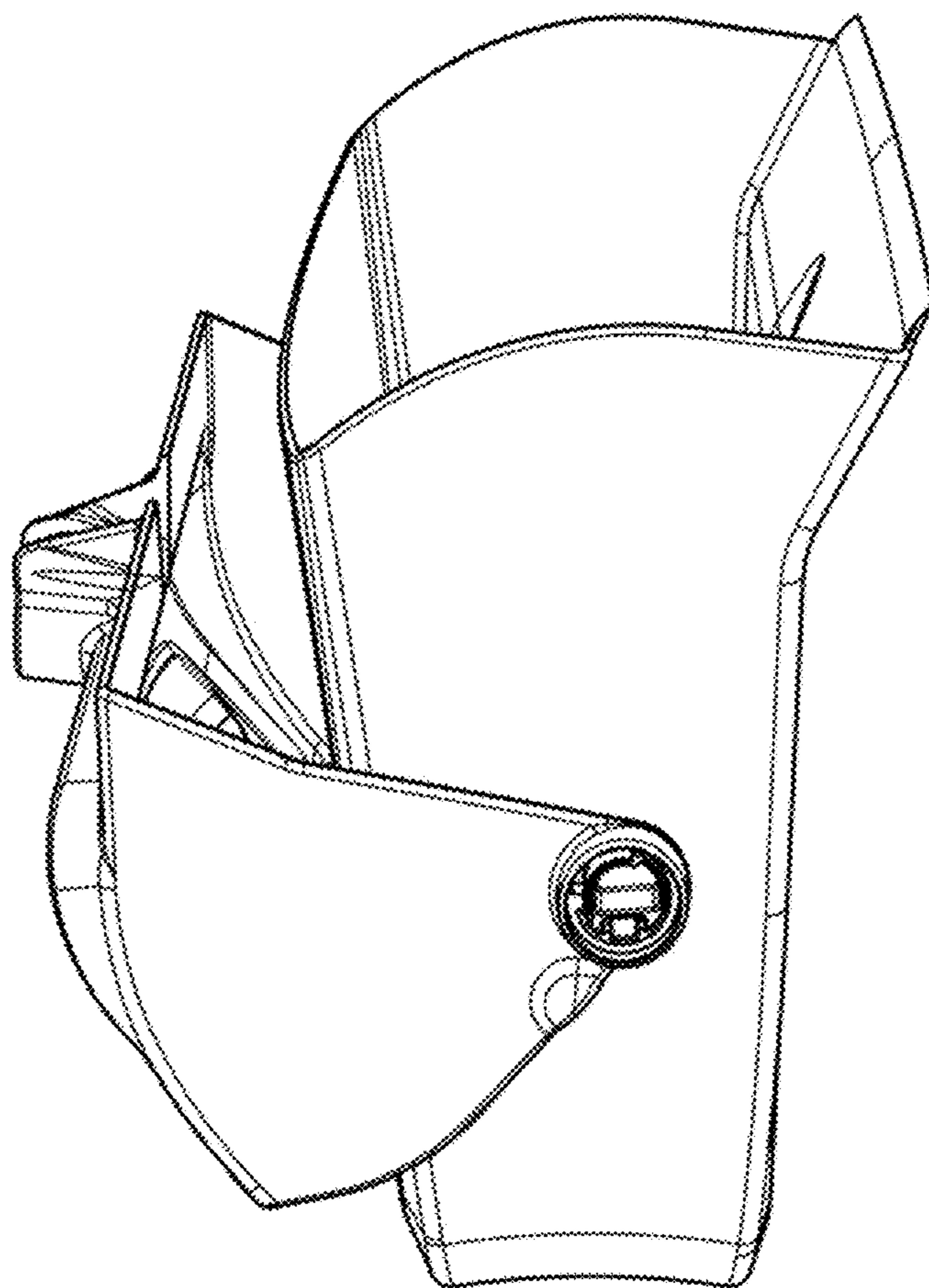


FIG. 6

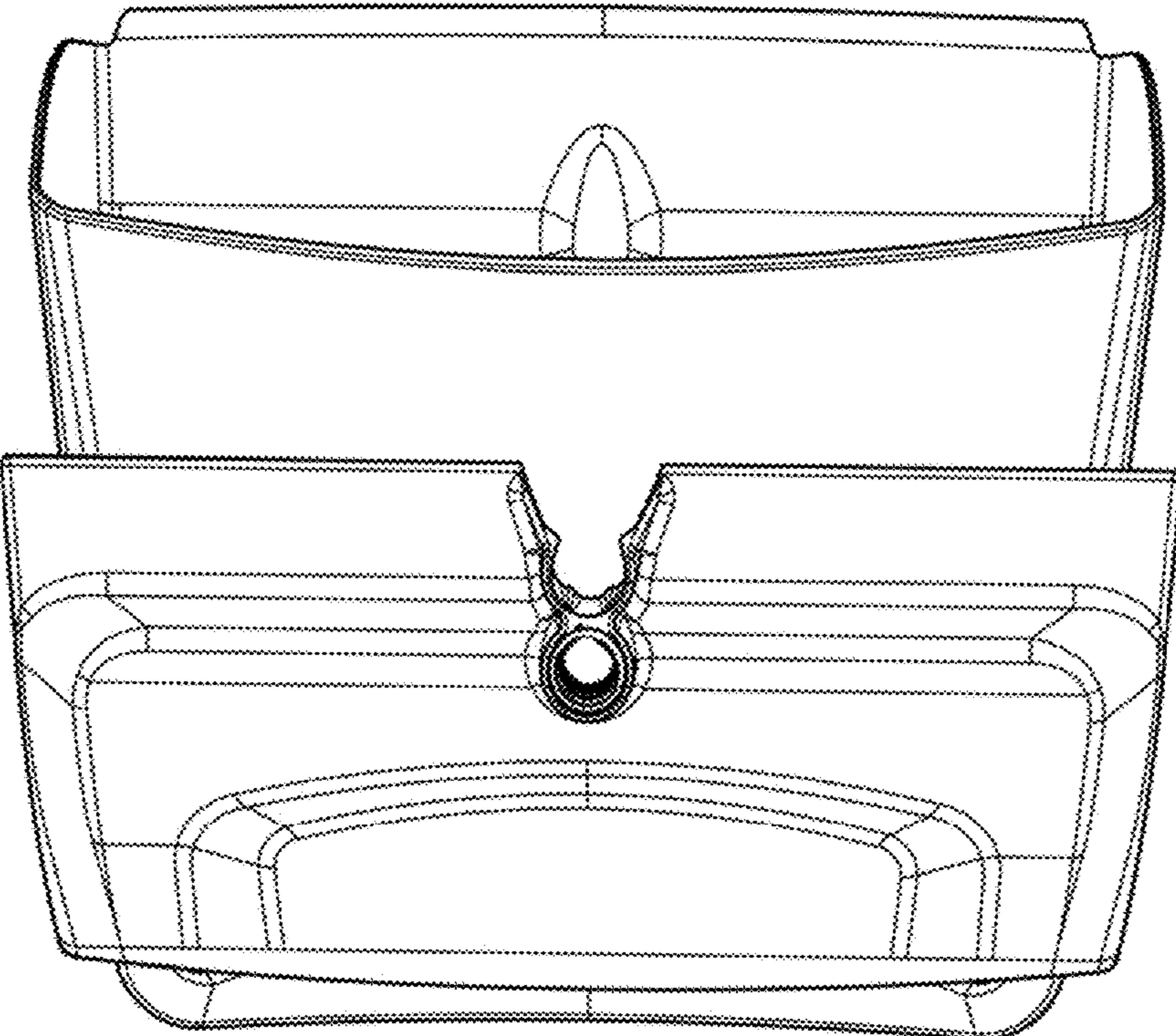


FIG. 7

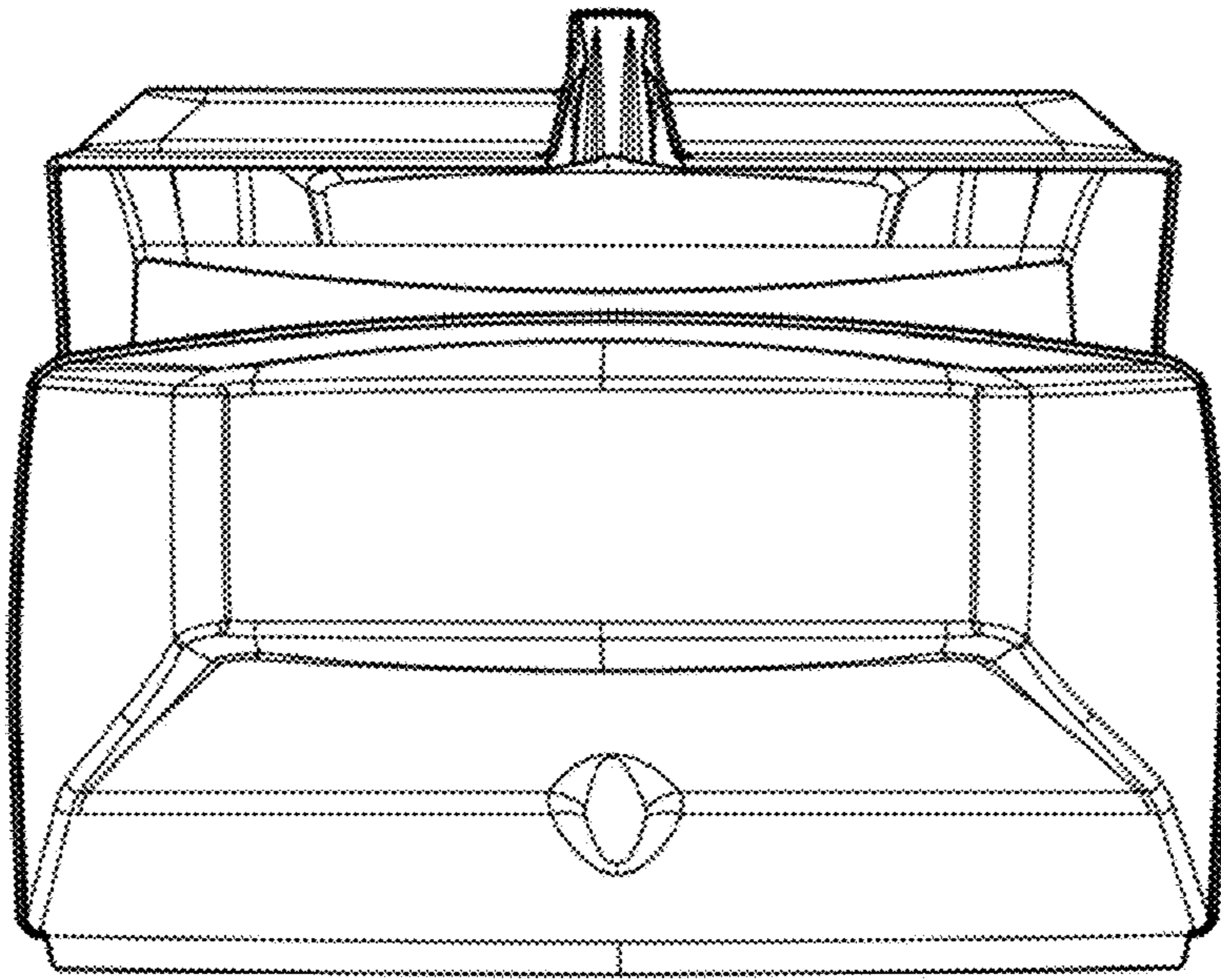


FIG. 8

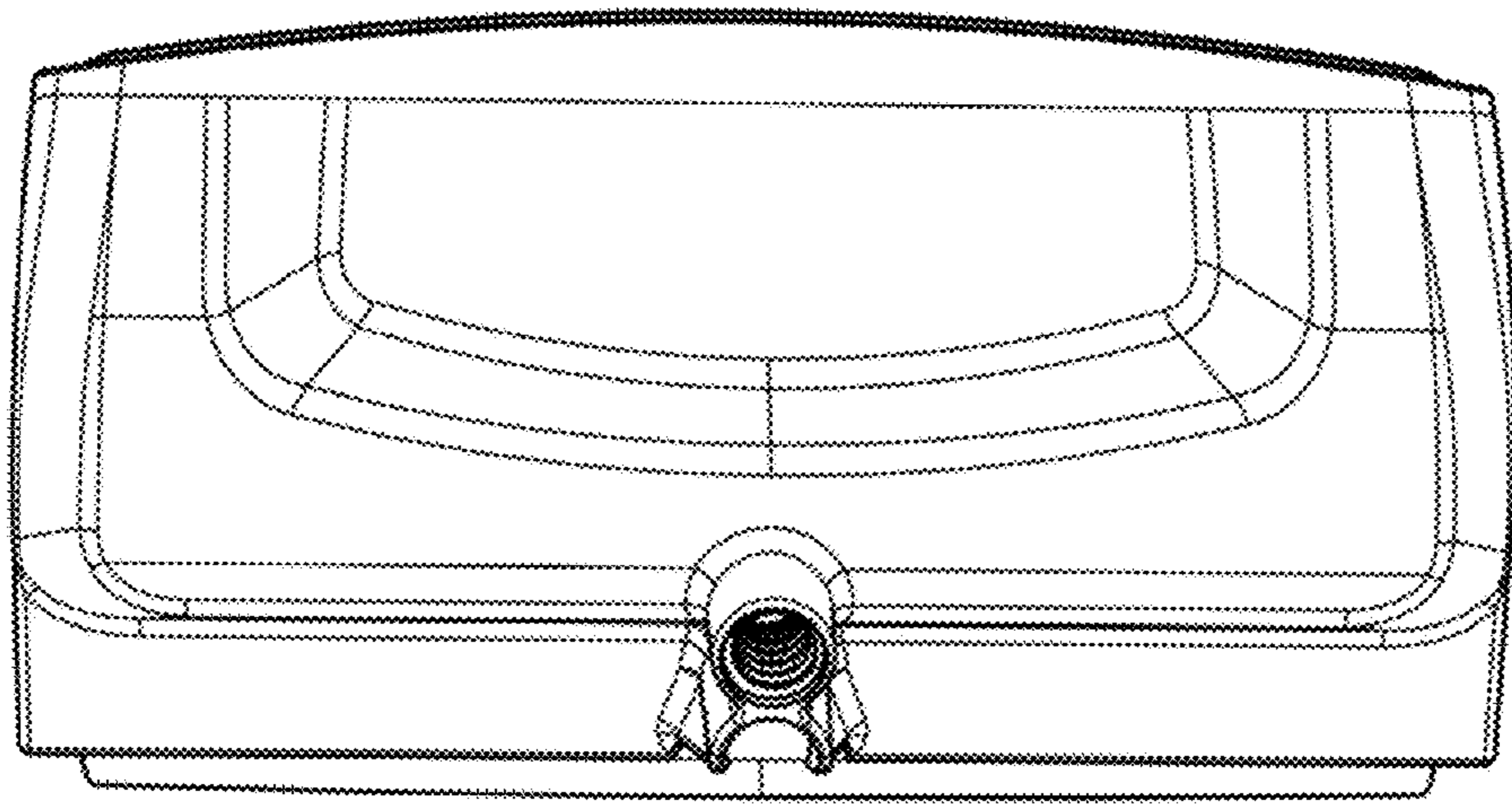


FIG. 9

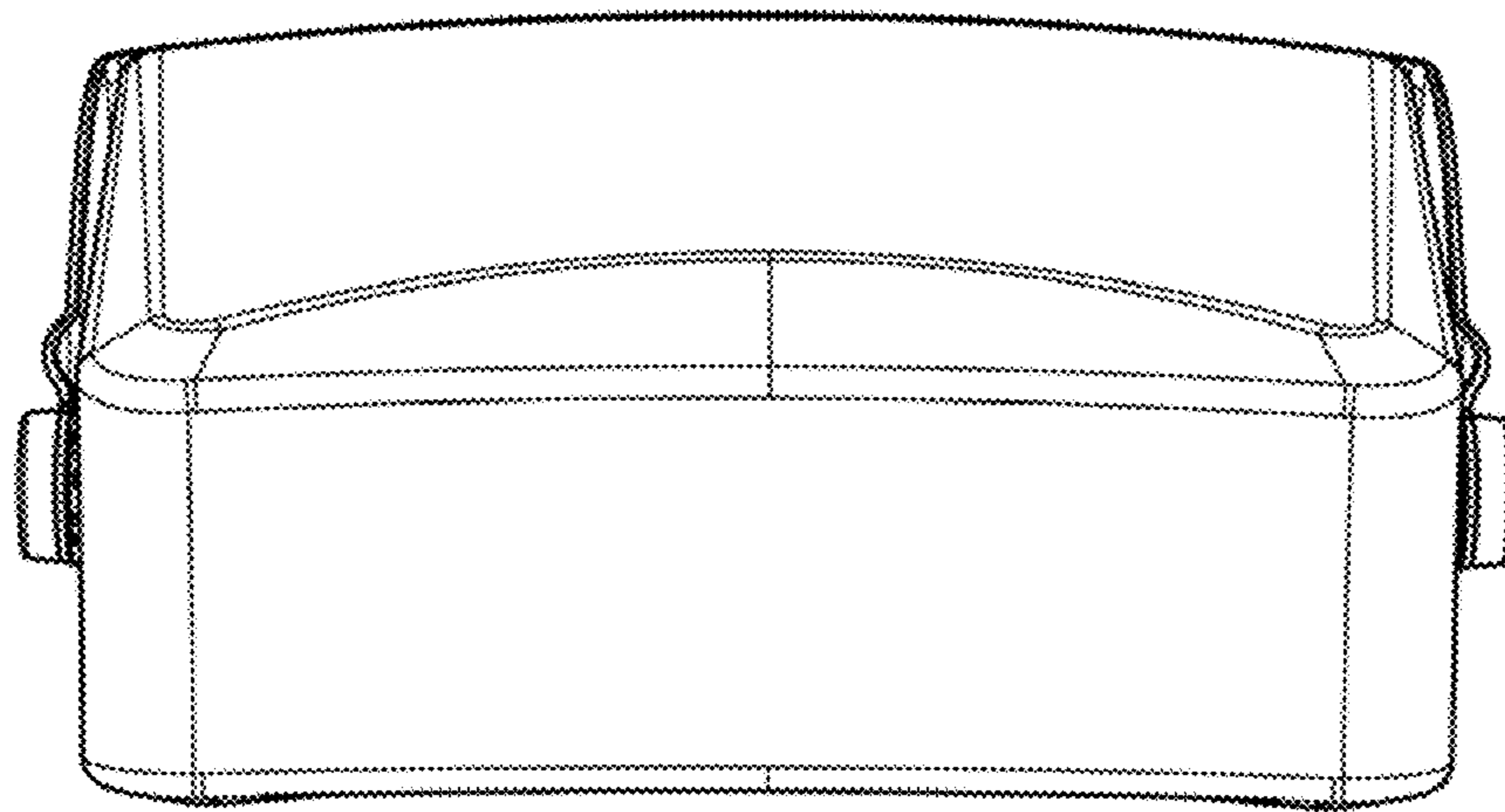


FIG. 10

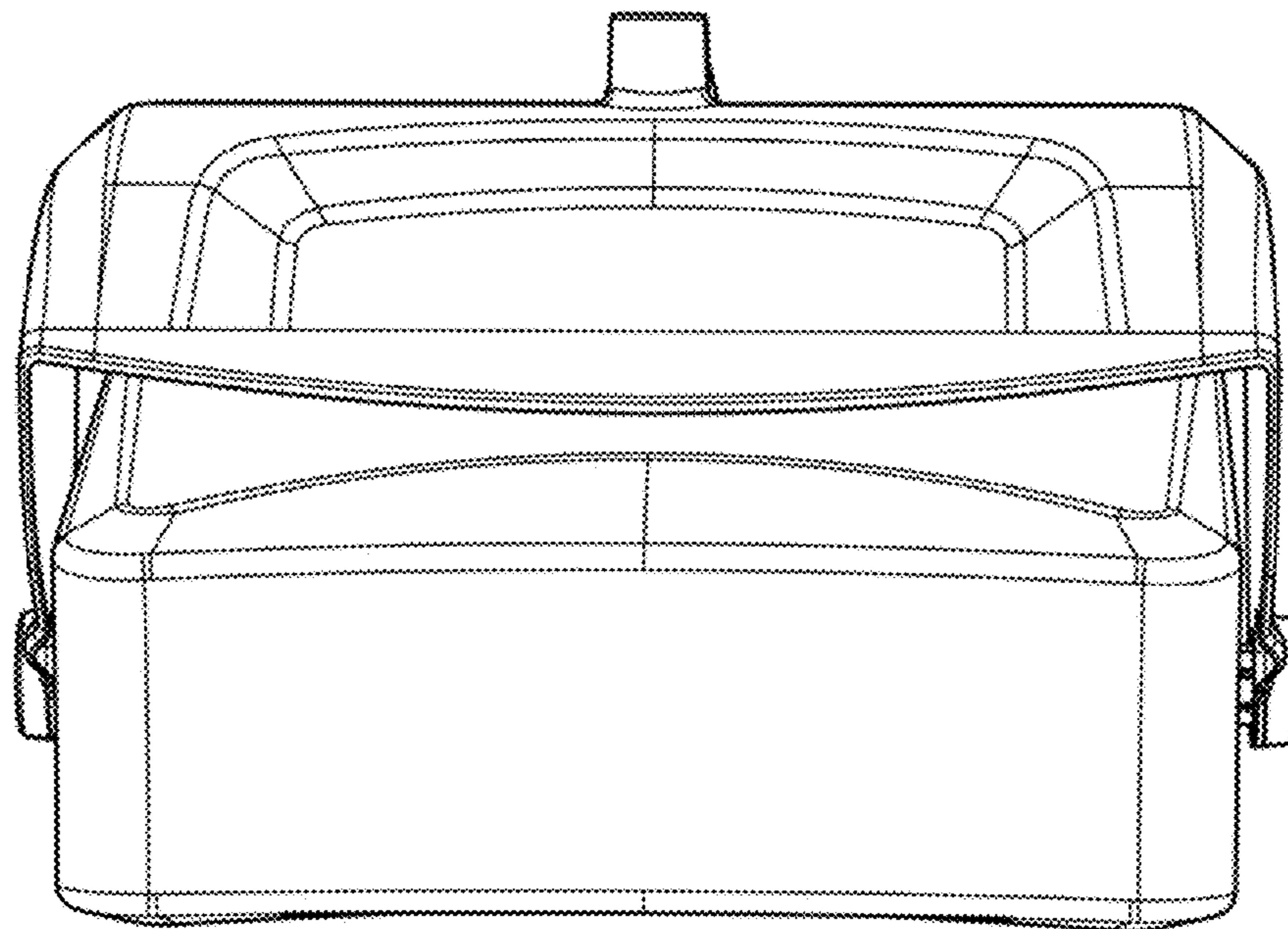


FIG. 11

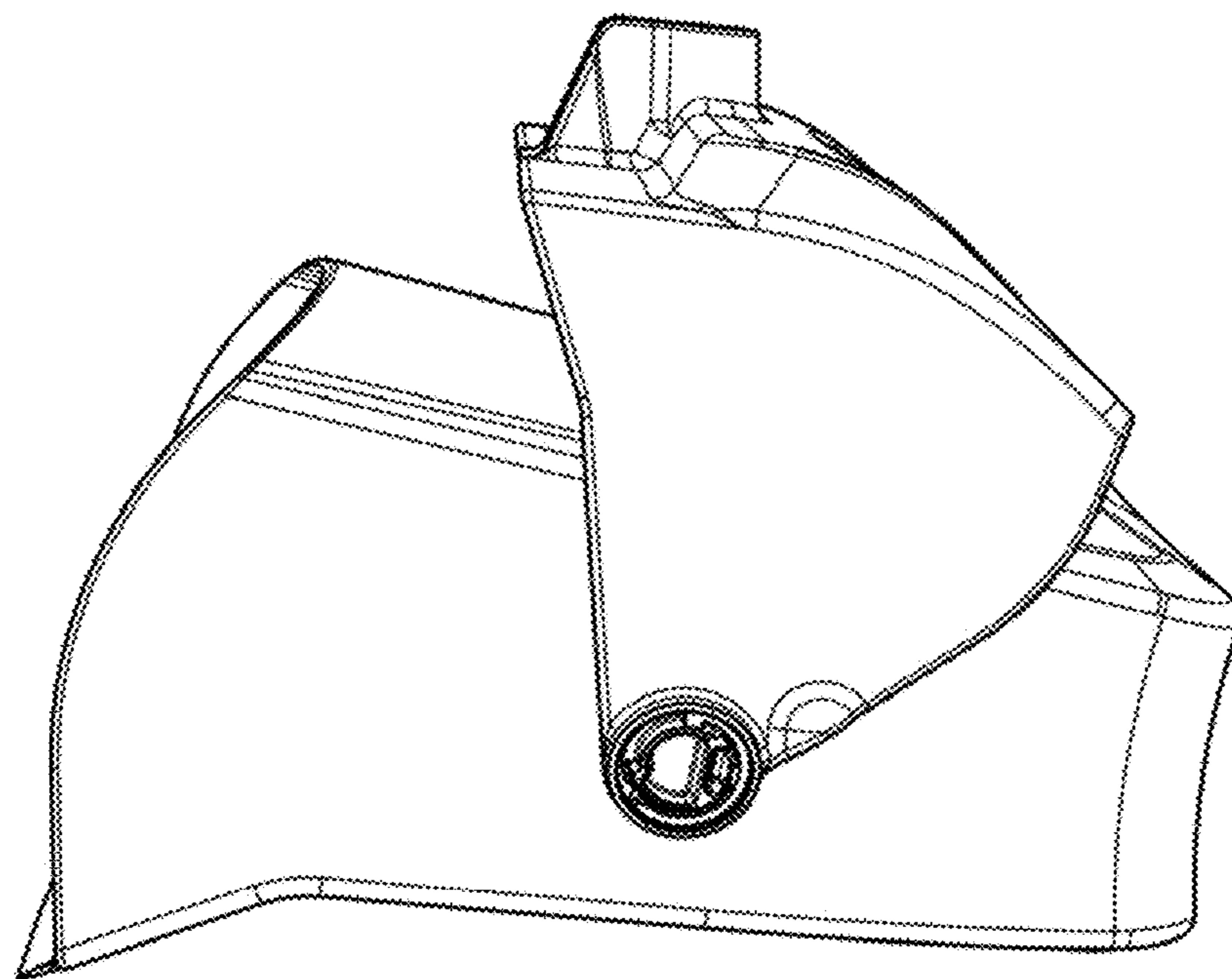


FIG. 12

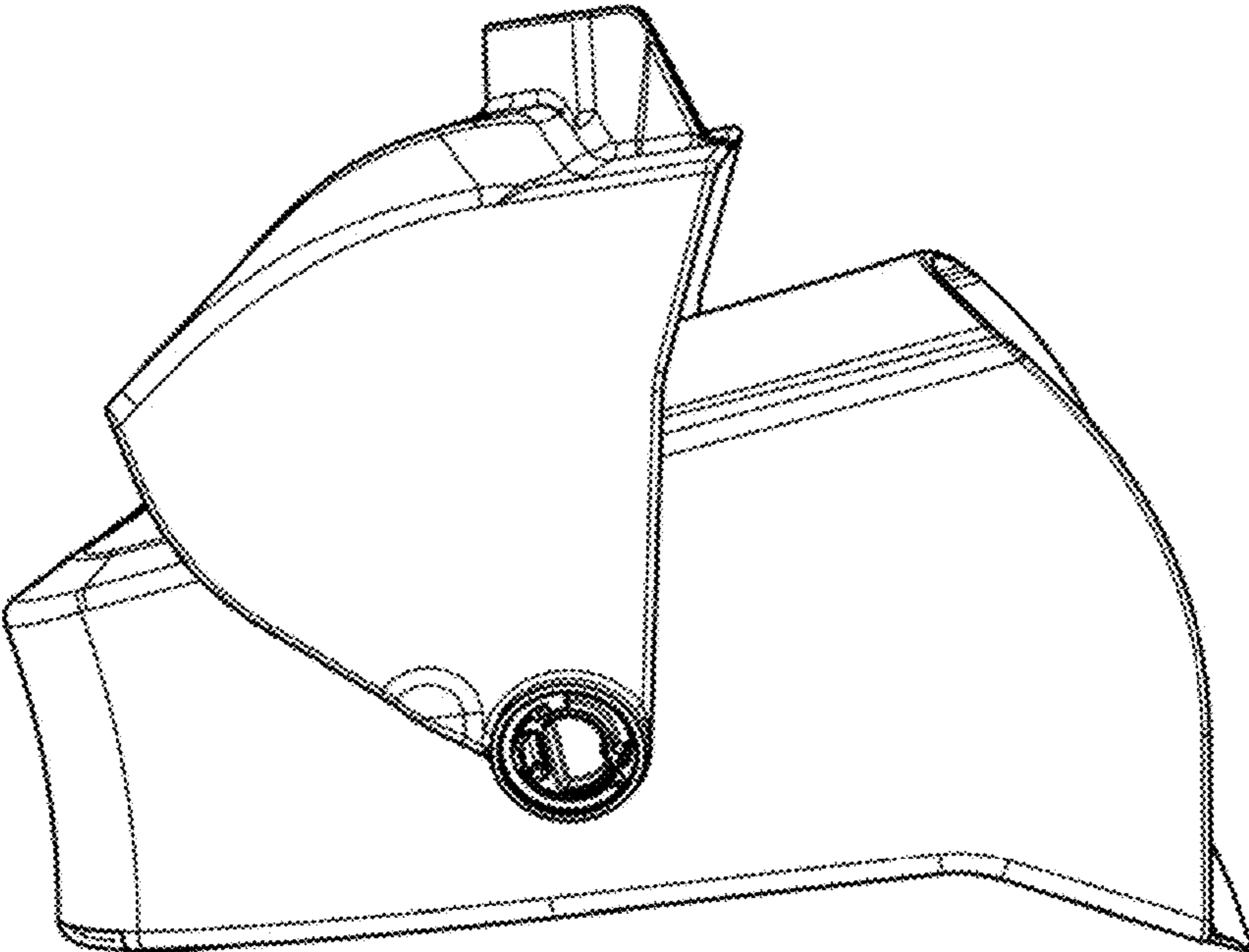


FIG. 13

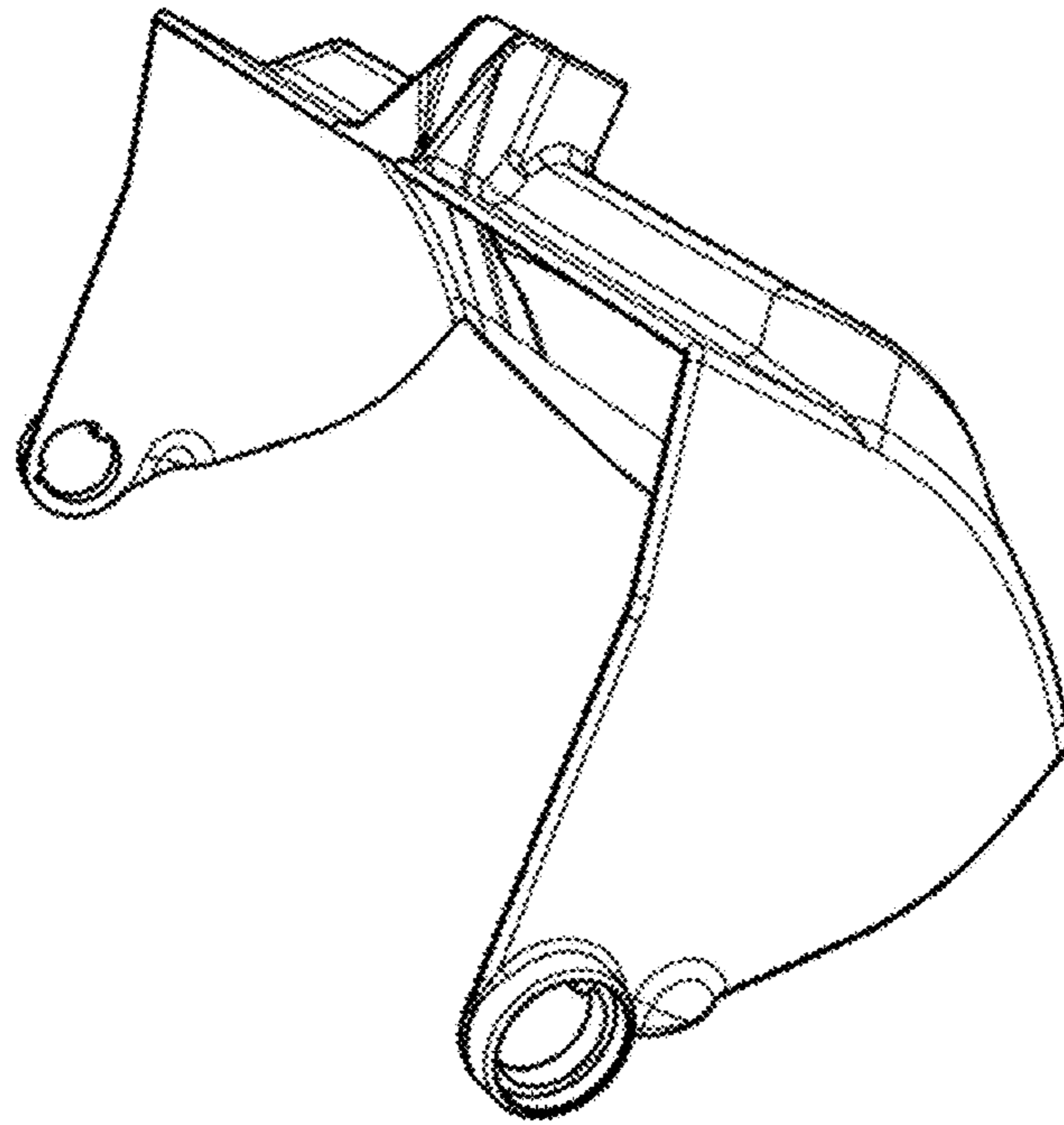


FIG. 14

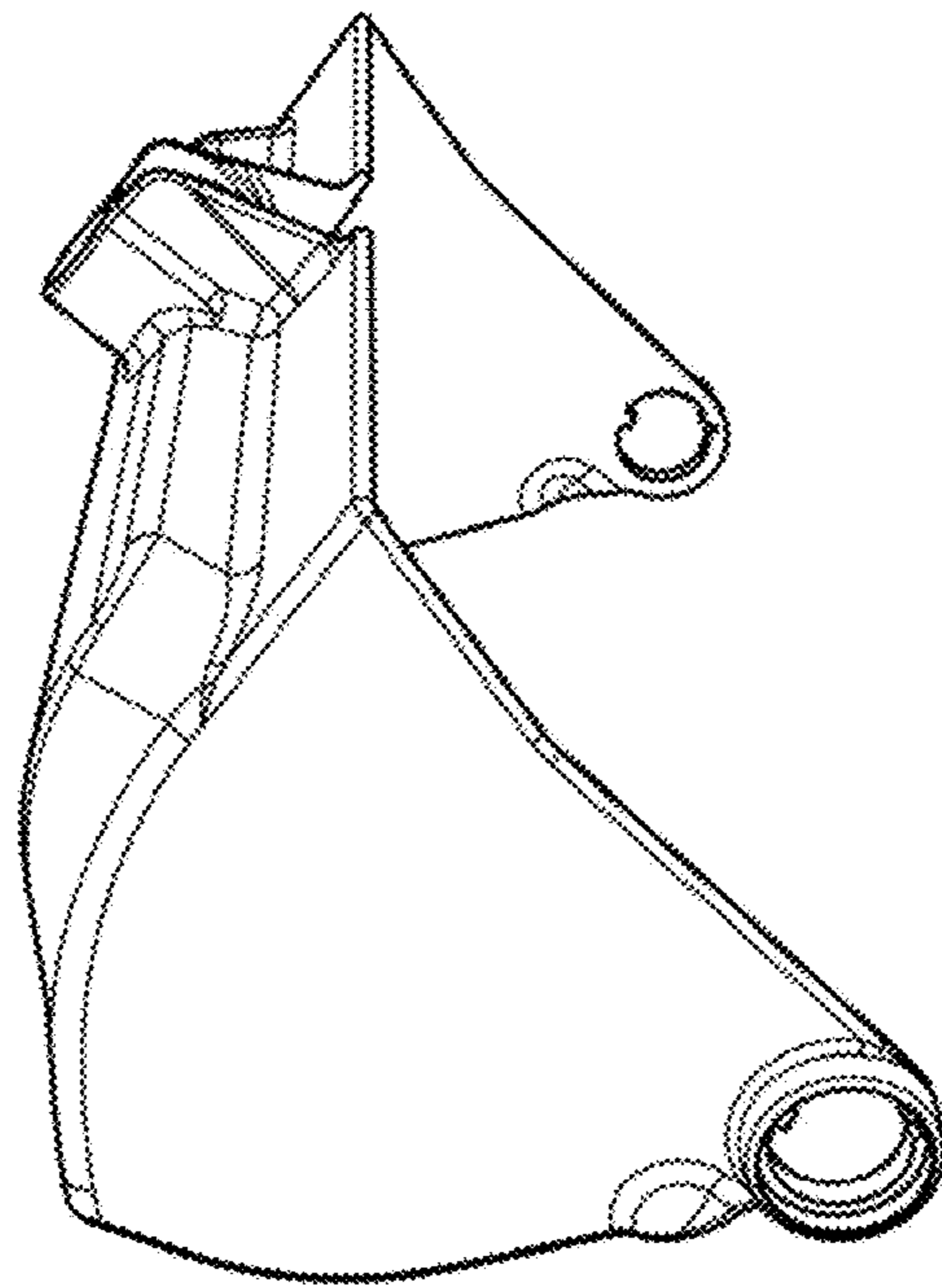


FIG. 15

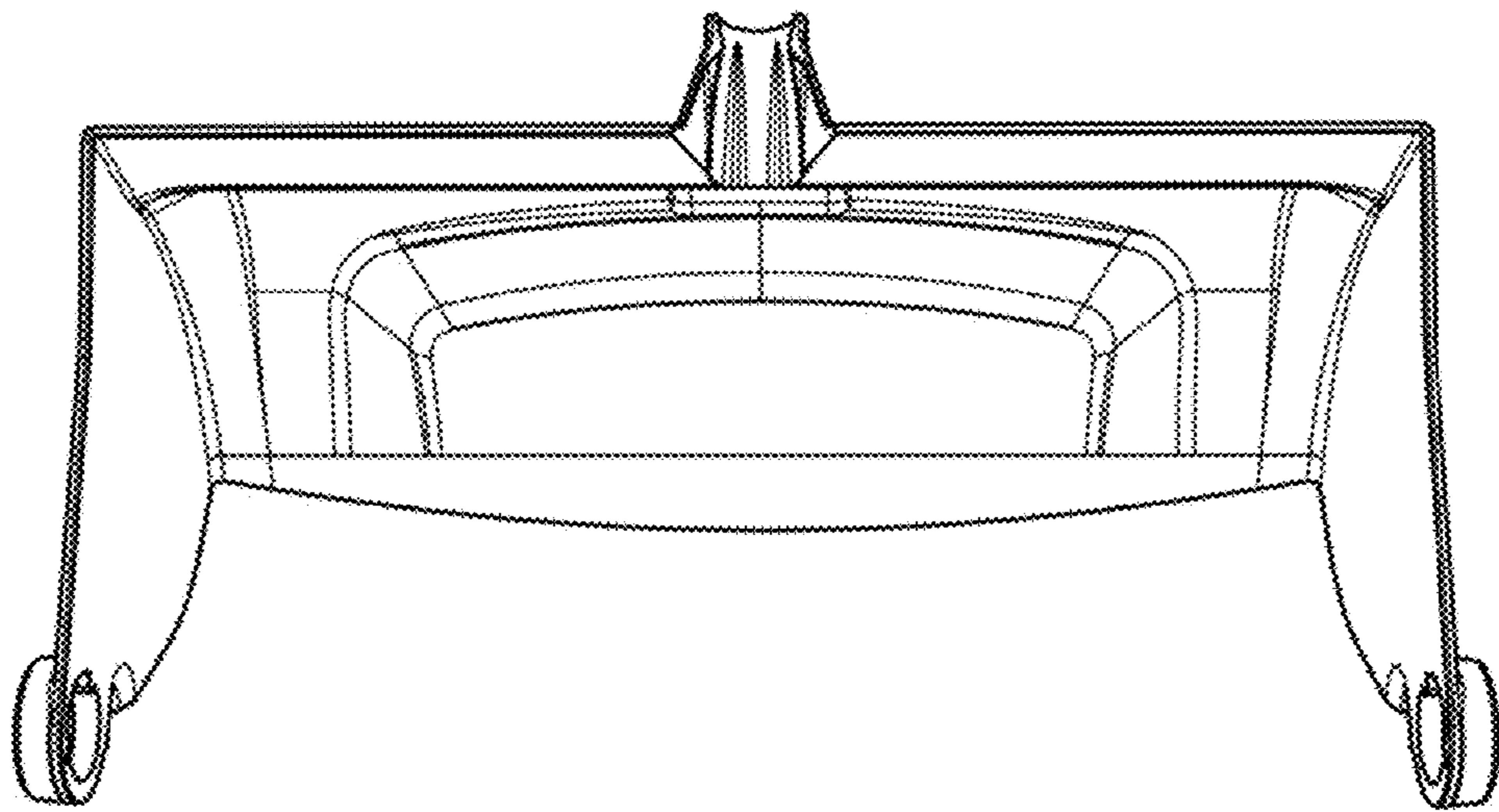


FIG. 16

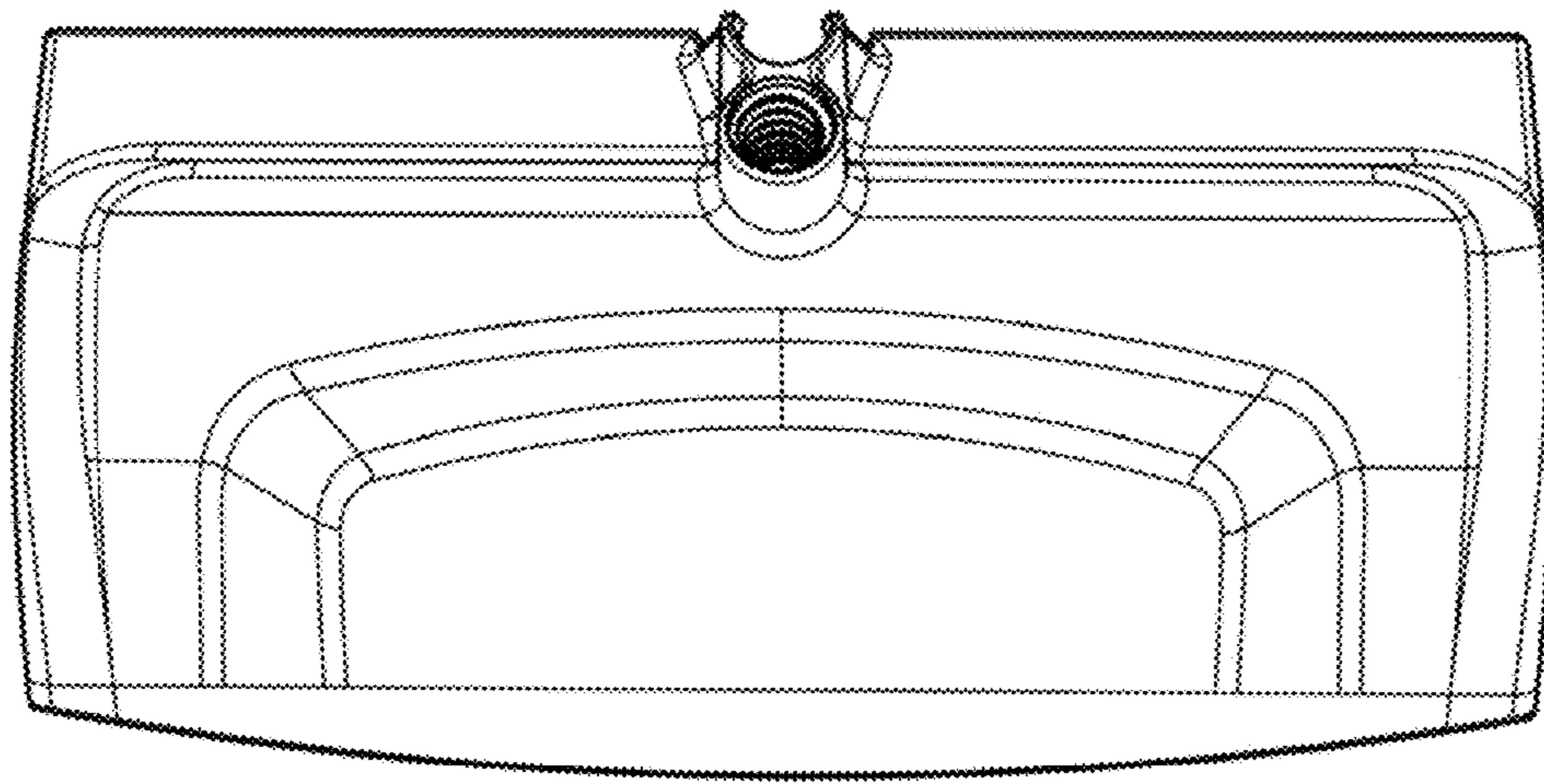


FIG. 17

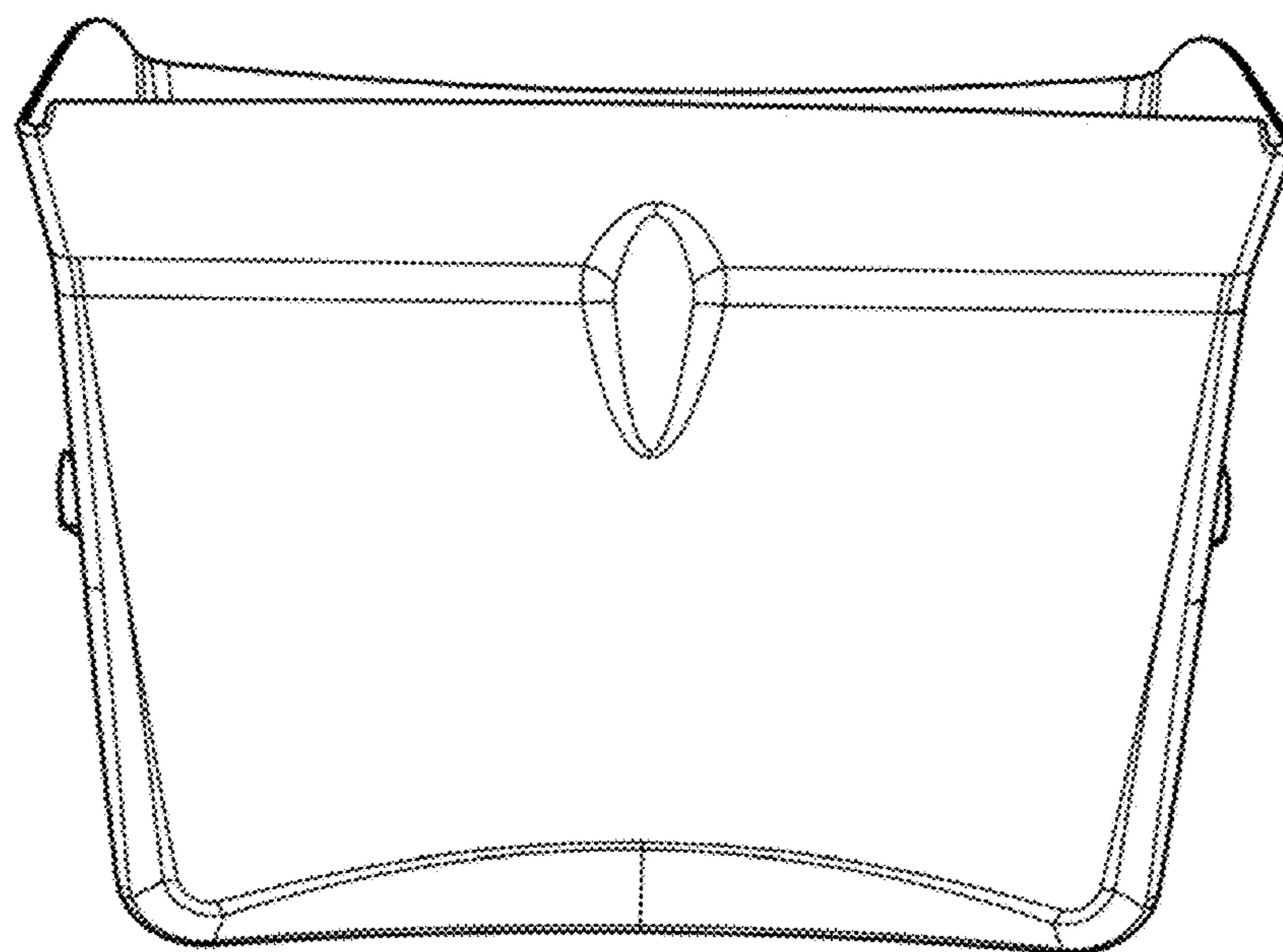


FIG. 18

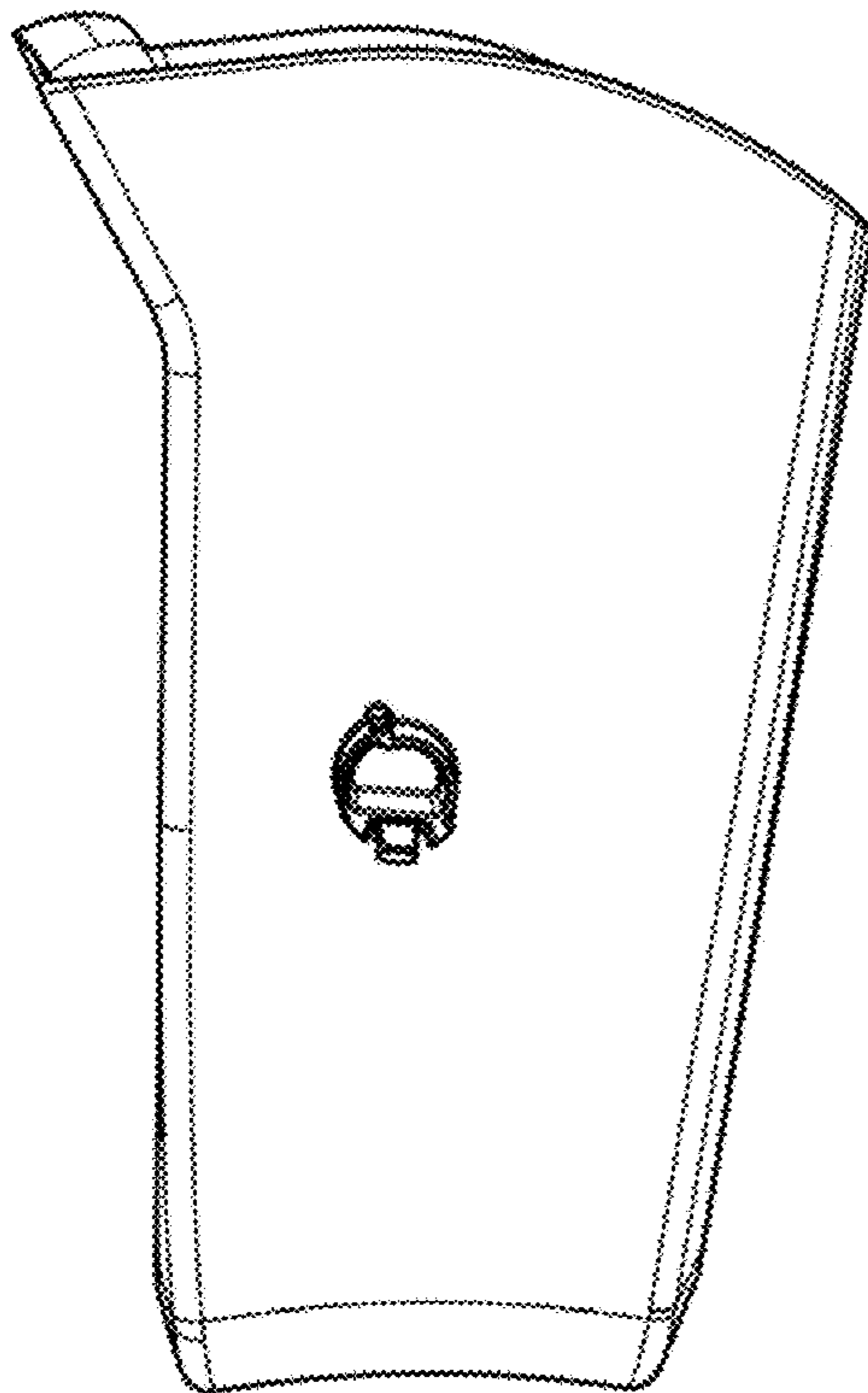


FIG. 19

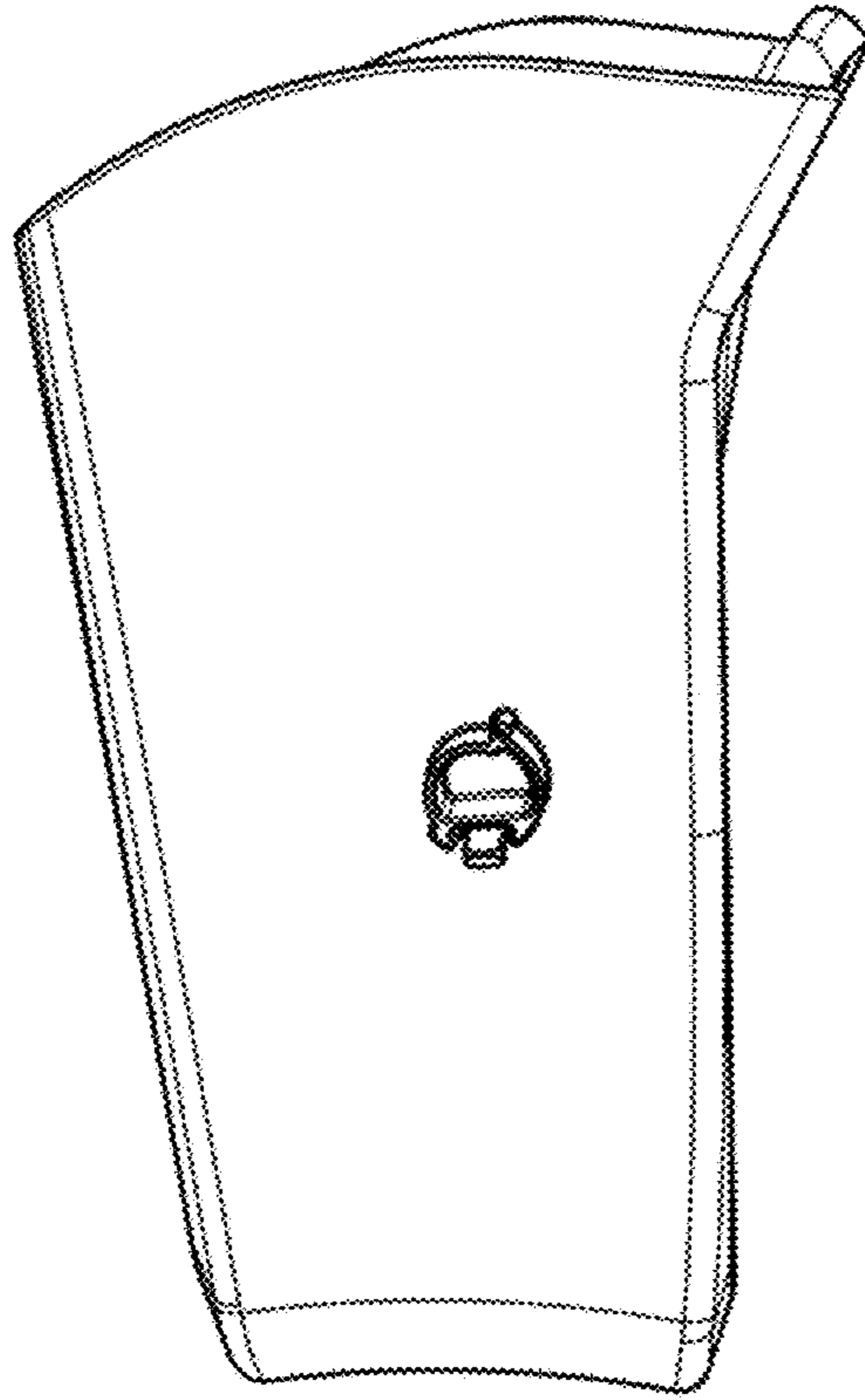


FIG. 20