



US00D871010S

(12) **United States Design Patent** (10) **Patent No.:** **US D871,010 S**  
**De Jesus** (45) **Date of Patent:** **\*\* Dec. 24, 2019**

(54) **CLOTHESLINE LINE SPACER**  
(71) Applicant: **Dayton Tooling Pty. Ltd.**, Preston, VIC (AU)  
(72) Inventor: **Cerewin De Jesus**, Preston (AU)  
(73) Assignee: **Dayton Tooling Pty. Ltd.**, Preston, VIC (AU)  
(\*\*) Term: **15 Years**  
(21) Appl. No.: **29/605,844**  
(22) Filed: **May 31, 2017**

(30) **Foreign Application Priority Data**  
Dec. 1, 2016 (AU) ..... 201616725  
(51) **LOC (12) Cl.** ..... **07-05**  
(52) **U.S. Cl.**  
USPC ..... **D32/60**  
(58) **Field of Classification Search**  
USPC ..... D32/58-64; D8/360  
CPC ..... D06F 53/00  
See application file for complete search history.

(56) **References Cited**  
**U.S. PATENT DOCUMENTS**  
D27,699 S \* 9/1897 Oliver ..... D32/60  
D31,186 S \* 7/1899 Stewart ..... D32/60  
D31,554 S \* 9/1899 Rubino ..... D32/60  
D44,730 S \* 10/1913 Murphy ..... D32/60  
D49,312 S \* 7/1916 Lee ..... D32/60  
D107,944 S \* 1/1938 Bocchino ..... D32/60  
D136,783 S \* 12/1943 Le Veck ..... D8/358  
D140,192 S \* 1/1945 Lewis ..... D8/356

D140,381 S \* 2/1945 Anderson ..... D8/383  
D162,767 S \* 4/1951 Adams ..... D32/60  
D169,406 S \* 4/1953 Zajac ..... D32/60  
4,213,597 A \* 7/1980 Rayner ..... D06F 53/00  
211/119.02  
D271,467 S \* 11/1983 Sakaguchi ..... D8/382  
D276,272 S \* 11/1984 Weissenburger ..... D24/176  
D307,108 S \* 4/1990 Morita ..... D13/154  
D335,371 S \* 5/1993 Meade ..... D32/60  
D366,606 S \* 1/1996 Nakamura ..... D8/356  
D418,268 S \* 12/1999 Morin ..... D32/60  
D519,024 S \* 4/2006 Knight ..... D8/395  
D520,352 S \* 5/2006 Knight ..... D8/395  
D686,793 S \* 7/2013 Machacs ..... D32/60  
D722,491 S \* 2/2015 Ramsauer ..... D8/395  
D722,492 S \* 2/2015 Ramsauer ..... D8/395  
D722,493 S \* 2/2015 Ramsauer ..... D8/395  
D722,494 S \* 2/2015 Ramsauer ..... D8/395  
D735,926 S \* 8/2015 Holley ..... D26/113

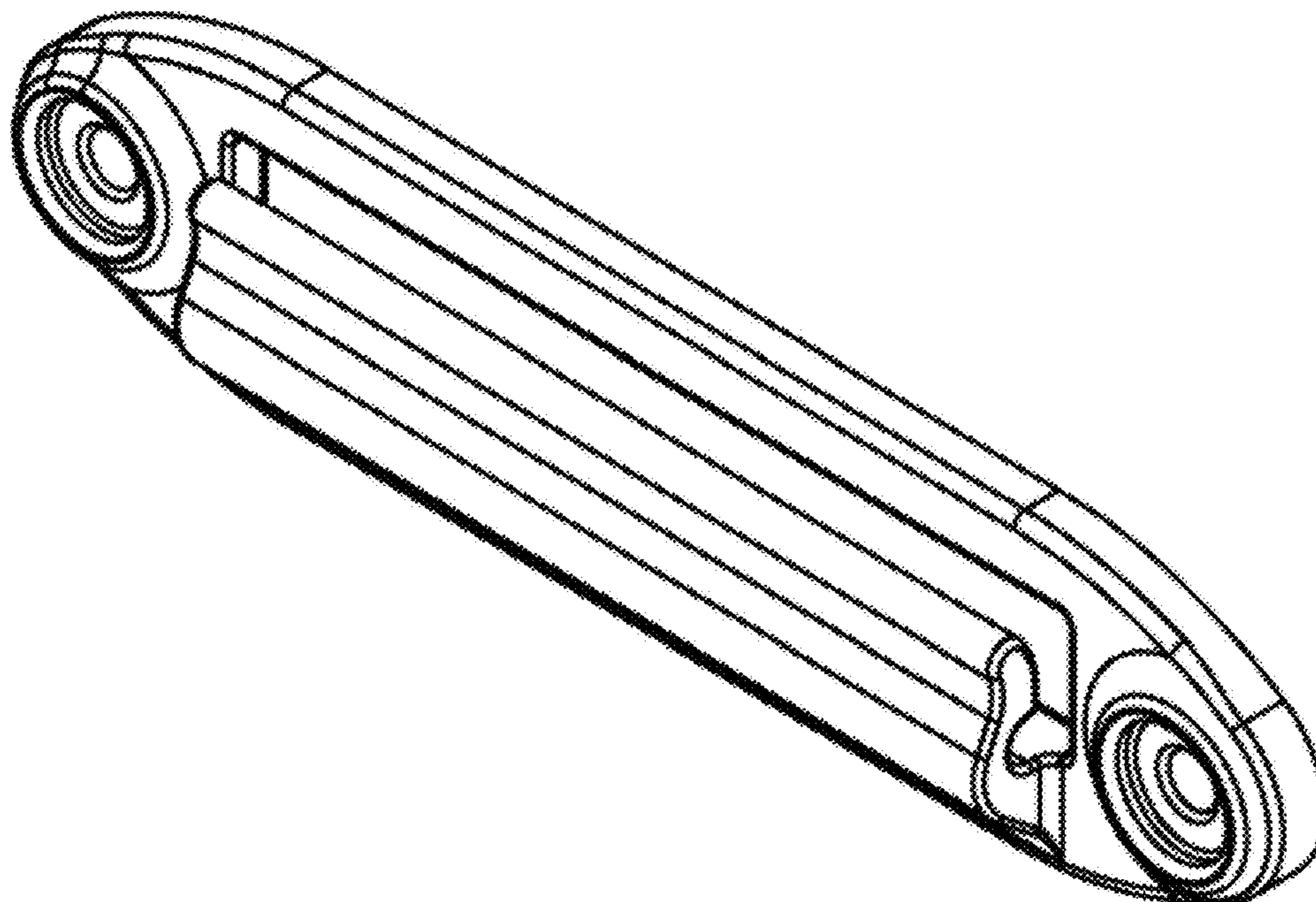
\* cited by examiner  
*Primary Examiner* — Michelle E. Wilson  
(74) *Attorney, Agent, or Firm* — Stevens & Showalter LLP

(57) **CLAIM**  
The ornamental design for a clothesline line spacer, as shown.

**DESCRIPTION**

FIG. 1 is a perspective view of a clothesline spacer in accordance with the present invention;  
FIG. 2 is a front view thereof;  
FIG. 3 is a top view thereof;  
FIG. 4 is a rear view thereof; and,  
FIG. 5 is a right side view thereof, the left side view being a mirror image of the right side view.

**1 Claim, 2 Drawing Sheets**



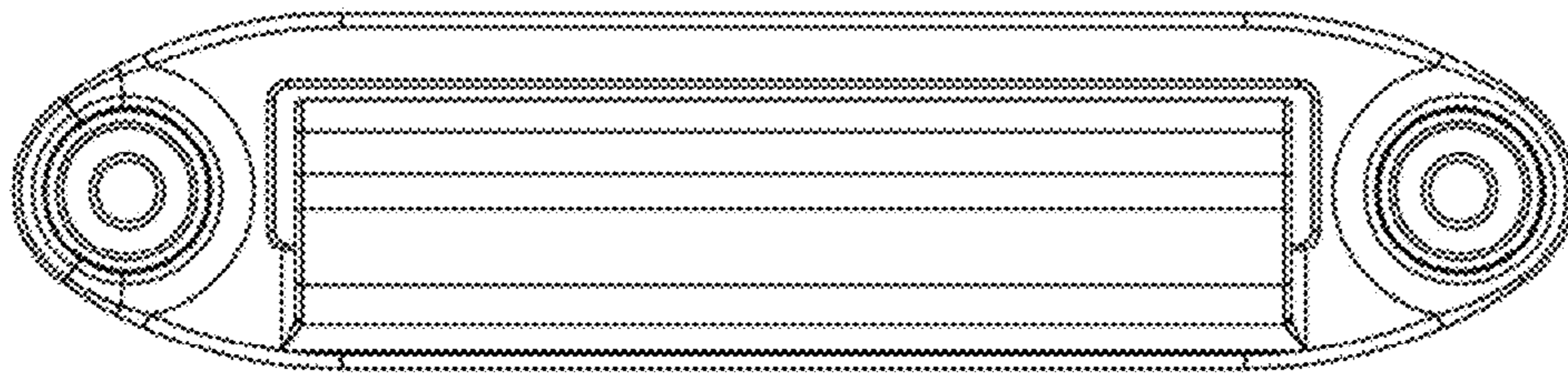
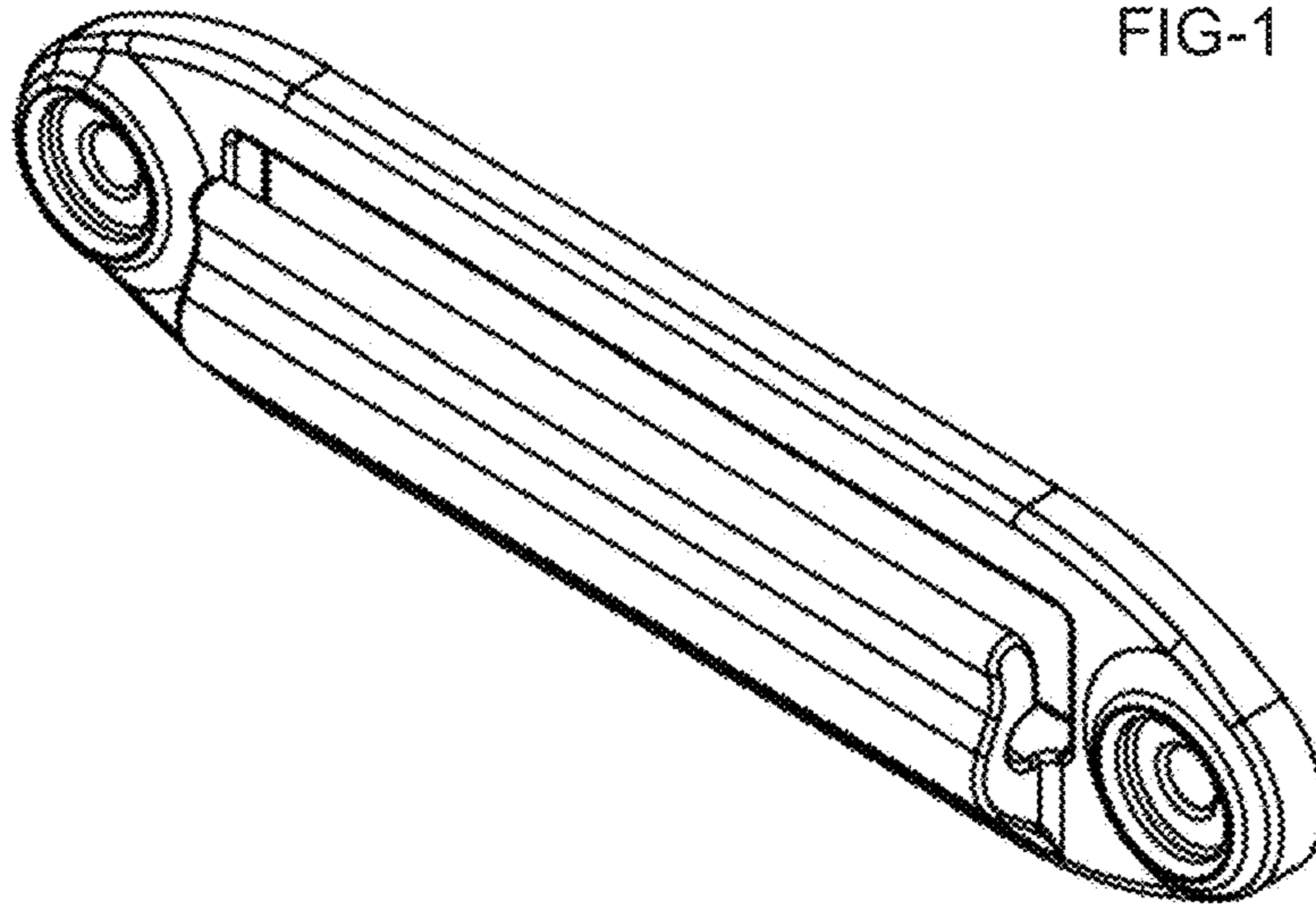


FIG-3

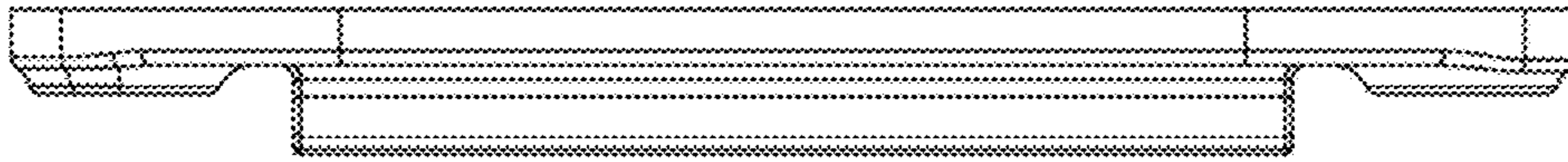


FIG-4

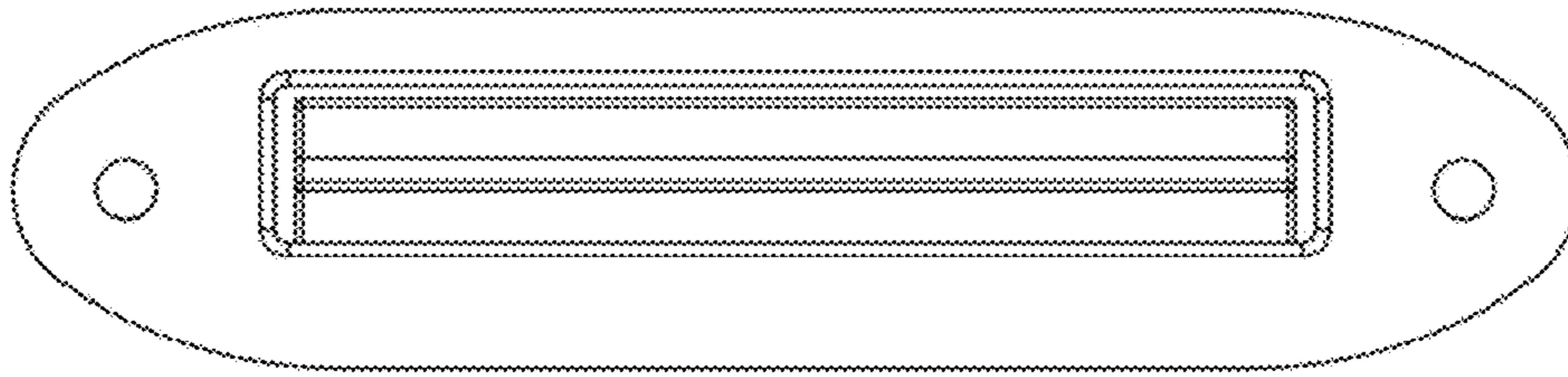


FIG-5

