



US00D871009S

(12) **United States Design Patent**  
**Sanduri Cohen**

(10) **Patent No.:** **US D871,009 S**

(45) **Date of Patent:** **\*\* Dec. 24, 2019**

(54) **DRYING RACK**

(71) Applicant: **BLUSHES**, Givat Zeev (IL)

(72) Inventor: **Sivan Sanduri Cohen**, Givat Zeev (IL)

(73) Assignee: **Blushes**, Givat Zeev (IL)

(\*\*) Term: **15 Years**

(21) Appl. No.: **29/689,277**

(22) Filed: **Apr. 29, 2019**

**Related U.S. Application Data**

(63) Continuation of application No. 29/674,448, filed on Dec. 21, 2018, now Pat. No. Des. 852,446.

(51) **LOC (12) Cl.** ..... **07-05**

(52) **U.S. Cl.**  
USPC ..... **D32/55**

(58) **Field of Classification Search**  
USPC ..... D32/585, 276, 3; D6/510, 525;  
D30/133; 211/41.5, 41.4, 41.3, 41.8;  
312/311, 333, 334.4; D7/354, 629  
CPC .. A47L 15/505; A47L 15/503; A47L 15/0013;  
A47L 19/02; A47L 19/04; A47J 47/20  
See application file for complete search history.

(56) **References Cited**

**U.S. PATENT DOCUMENTS**

D554,819 S *	11/2007	Shah	.....	D32/55
D559,491 S *	1/2008	Yang	.....	D32/55
D630,397 S *	1/2011	Molayem	.....	D32/55
D695,482 S *	12/2013	Huang	.....	D32/55
D699,413 S *	2/2014	Huang	.....	D32/55

D706,510 S *	6/2014	Lerner	.....	D32/55
D755,459 S *	5/2016	Erby	.....	D32/56
D762,035 S *	7/2016	Cooper	.....	D32/55
9,596,975 B2 *	3/2017	Bhajak	.....	A47L 15/4246
10,022,037 B2 *	7/2018	Kutto	.....	A47L 15/504
D852,446 S *	6/2019	Sanduri Cohen	.....	D32/55

\* cited by examiner

*Primary Examiner* — Austin Murphy

(74) *Attorney, Agent, or Firm* — Quarles & Brady LLP

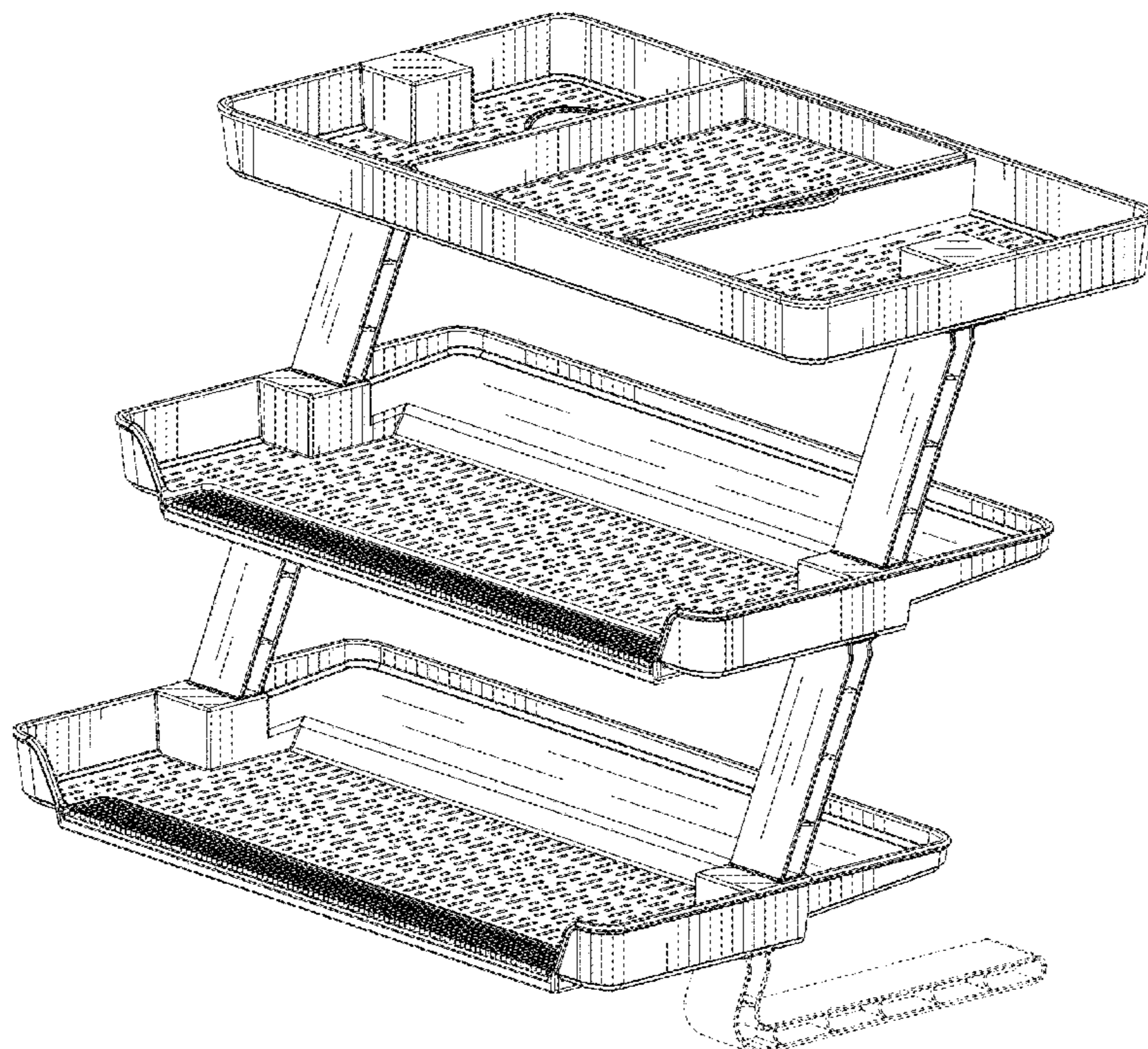
(57) **CLAIM**

The ornamental design for a drying rack, as shown and described.

**DESCRIPTION**

FIG. 1 is a top, right, and front perspective view of an ornamental design for a drying rack;  
FIG. 2 is a bottom, right, and front perspective view of the drying rack of FIG. 1;  
FIG. 3 is a front elevational view of the drying rack of FIG. 1;  
FIG. 4 is a rear elevational view of the drying rack of FIG. 1;  
FIG. 5 is a left side elevational view of the drying rack of FIG. 1;  
FIG. 6 is a right side elevational view of the drying rack of FIG. 1;  
FIG. 7 is a top plan view of the drying rack of FIG. 1; and, FIG. 8 is a bottom plan view of the drying rack of FIG. 1. The dash-dash-dash lines are included for the purpose of illustrating portions of the drying rack that form no part of the claimed design.

**1 Claim, 8 Drawing Sheets**



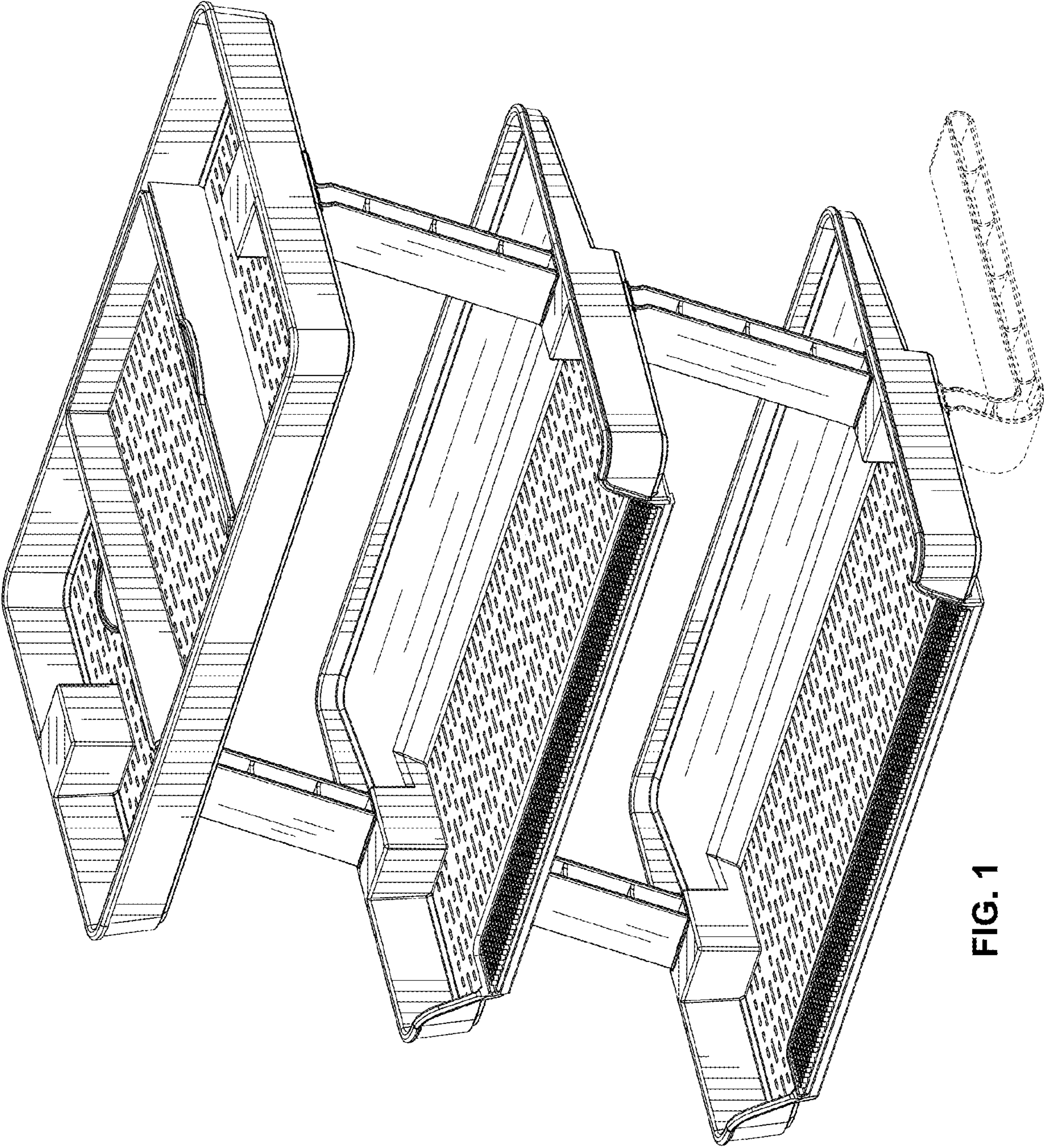


FIG. 1

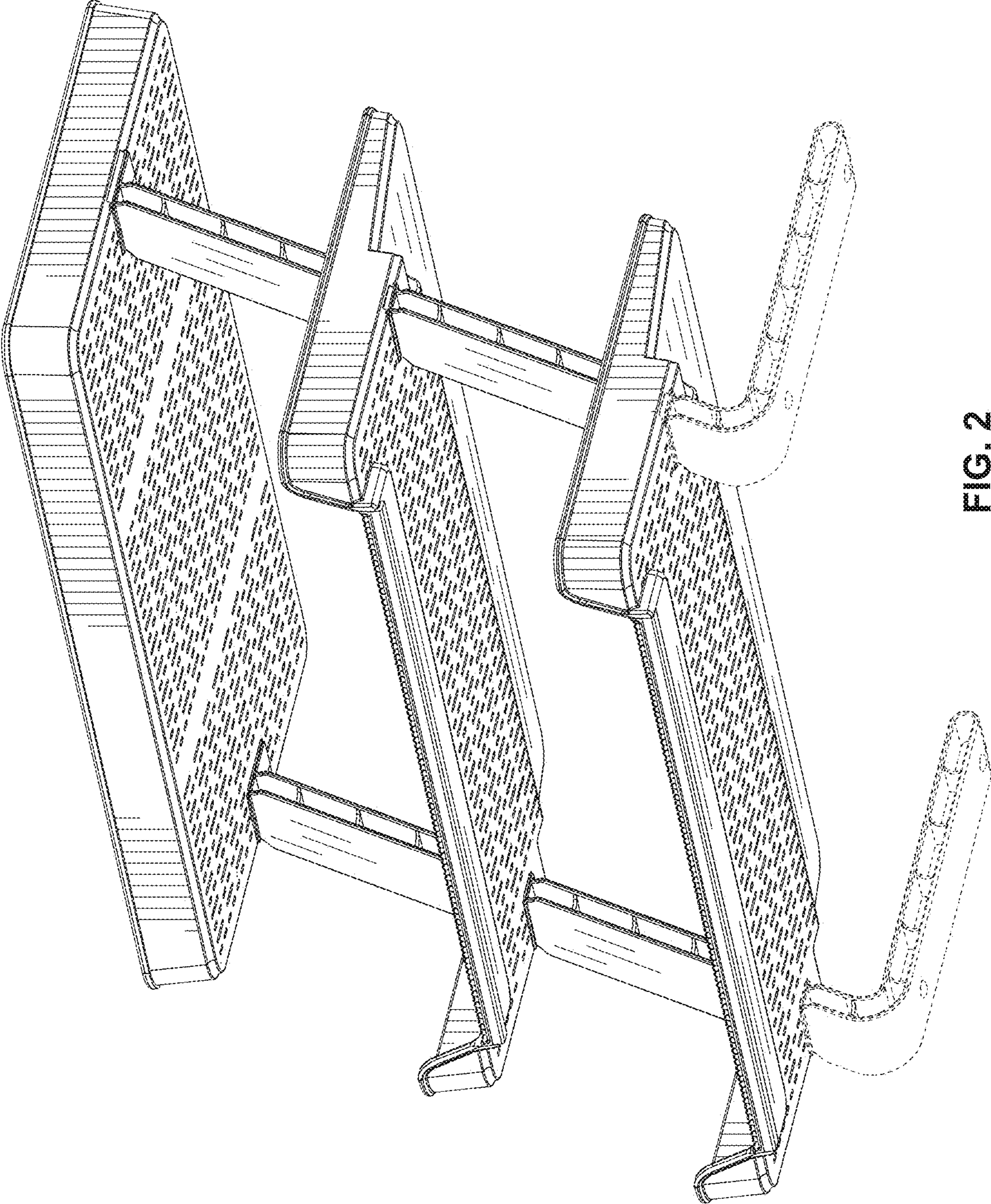


FIG. 2

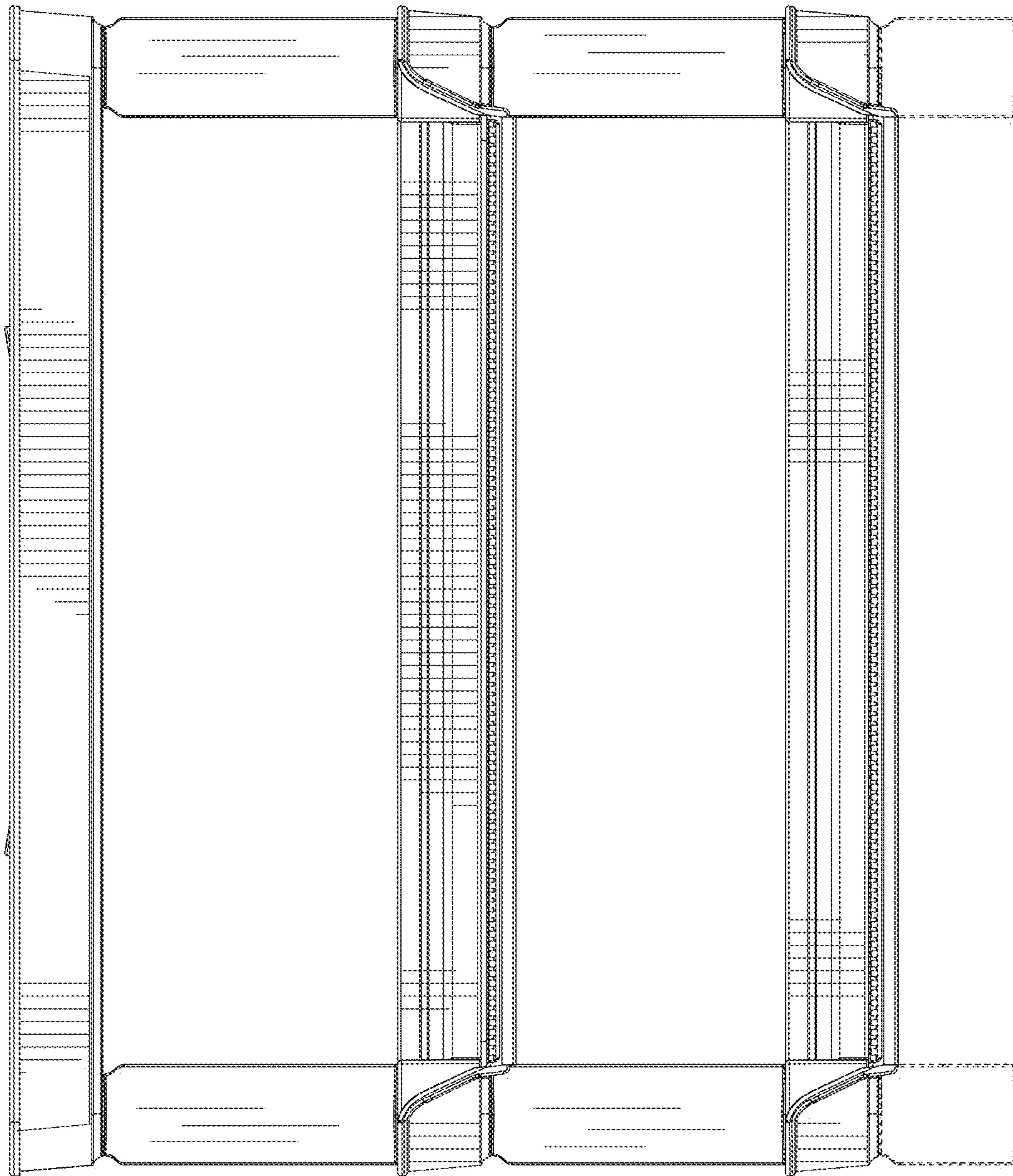


FIG. 3

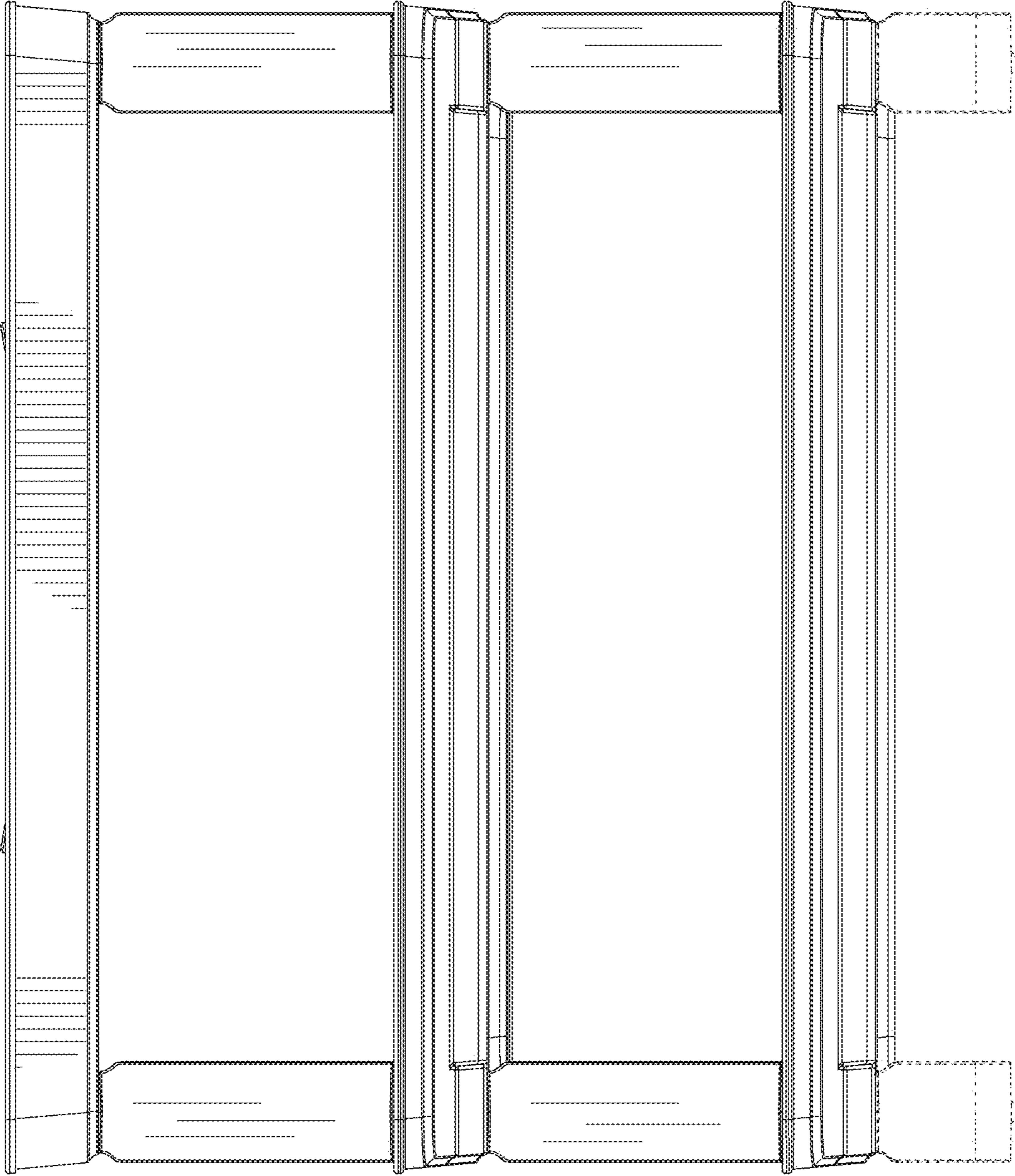


FIG. 4

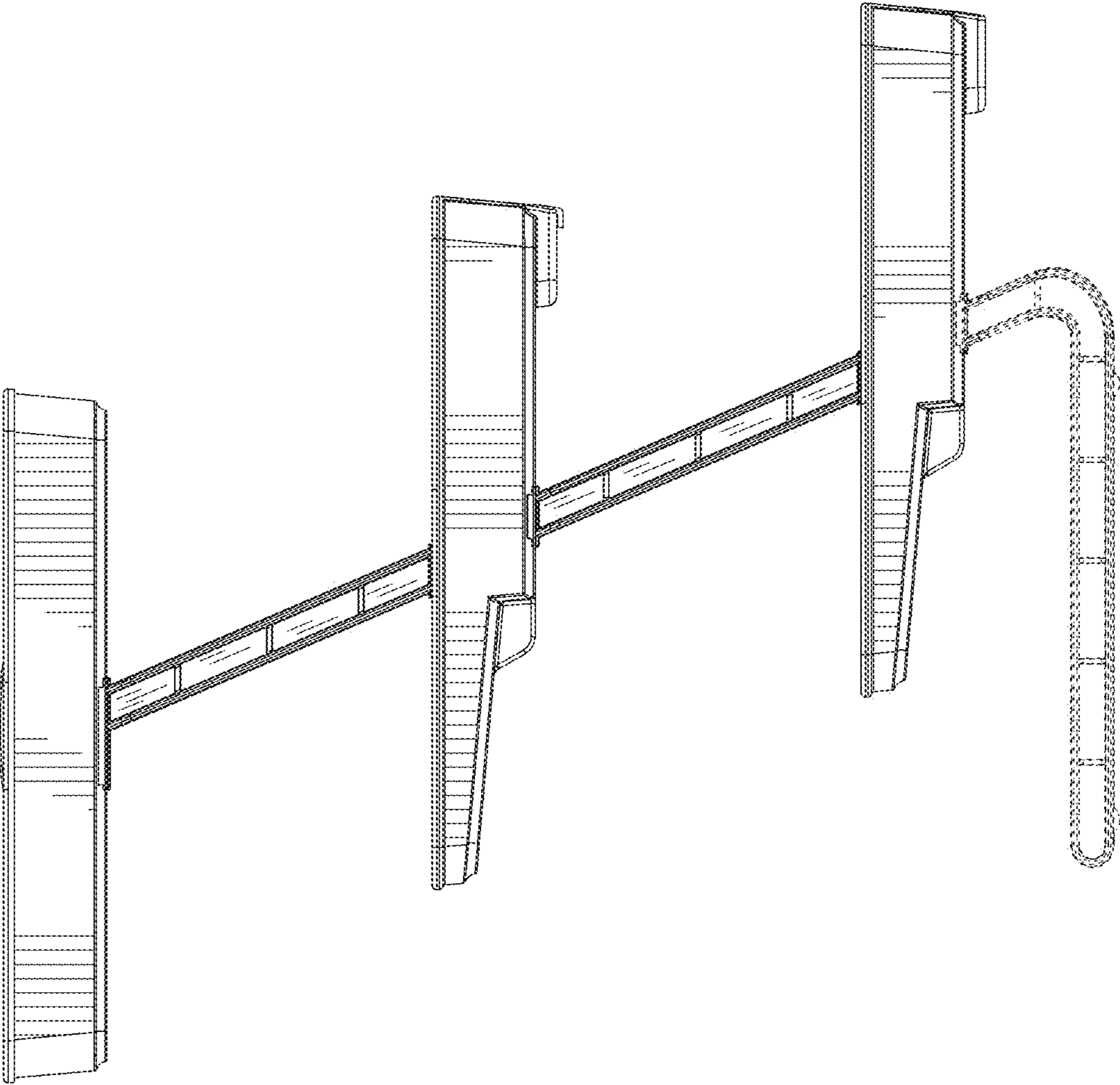


FIG. 5

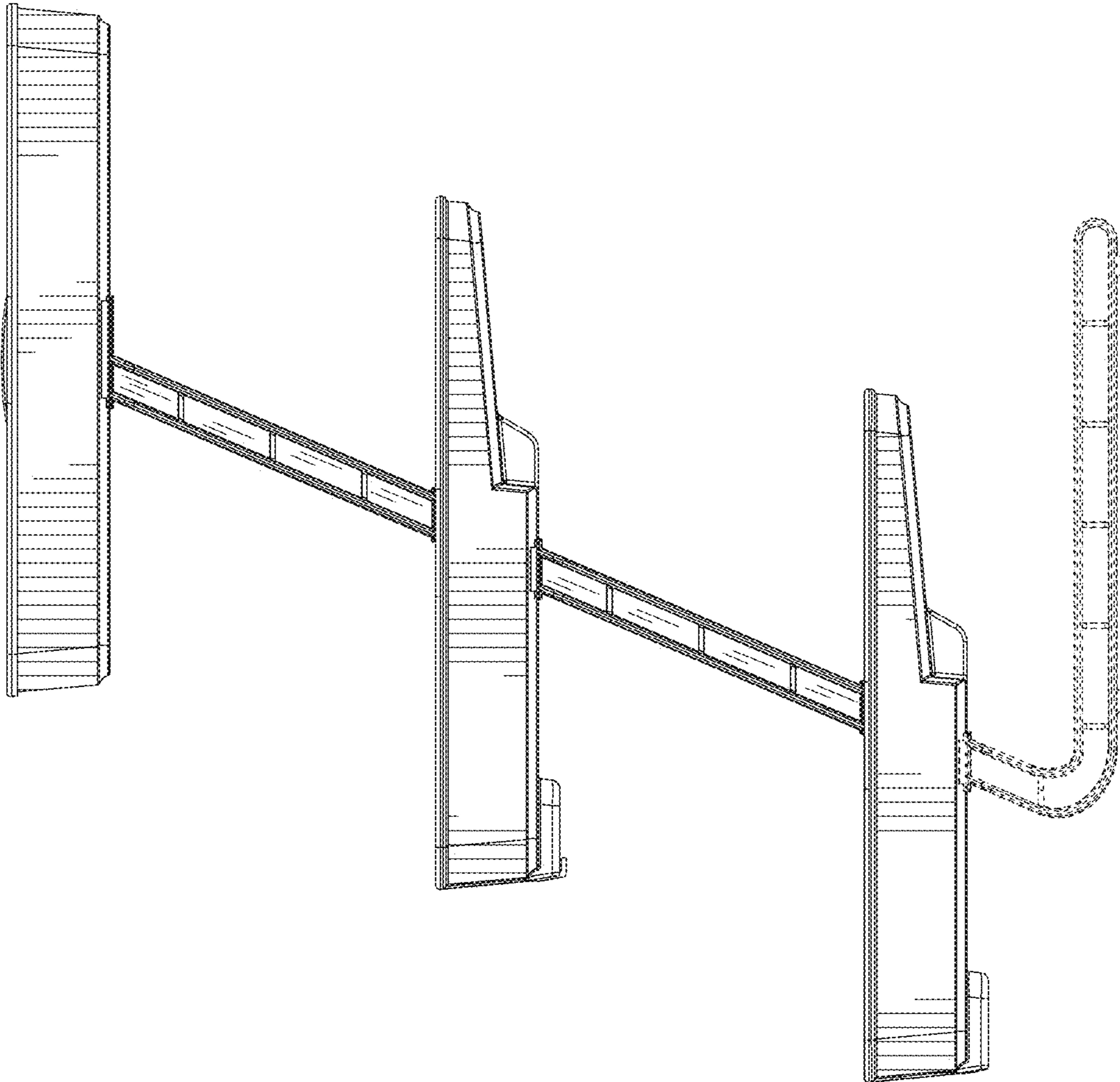


FIG. 6

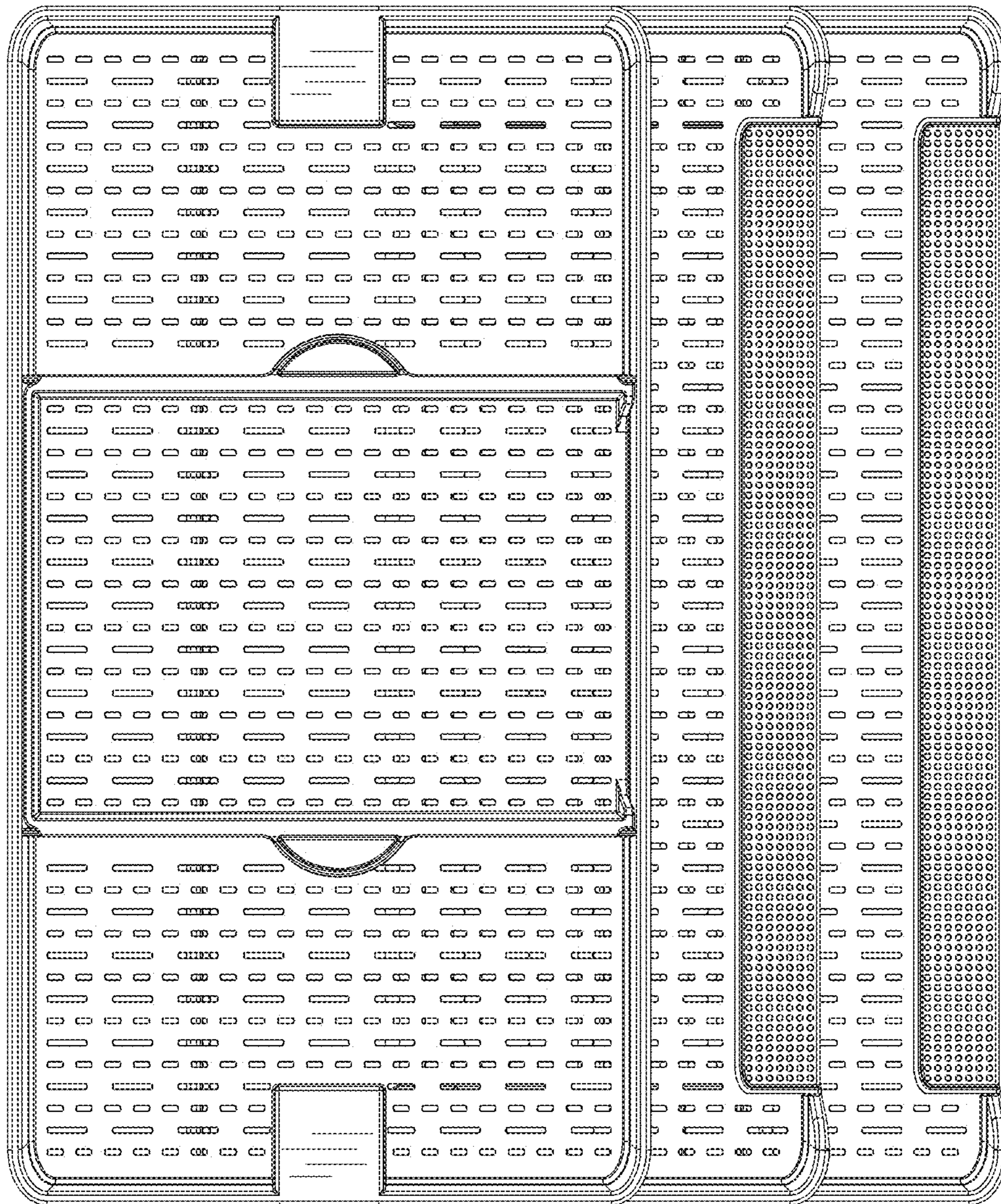


FIG. 7



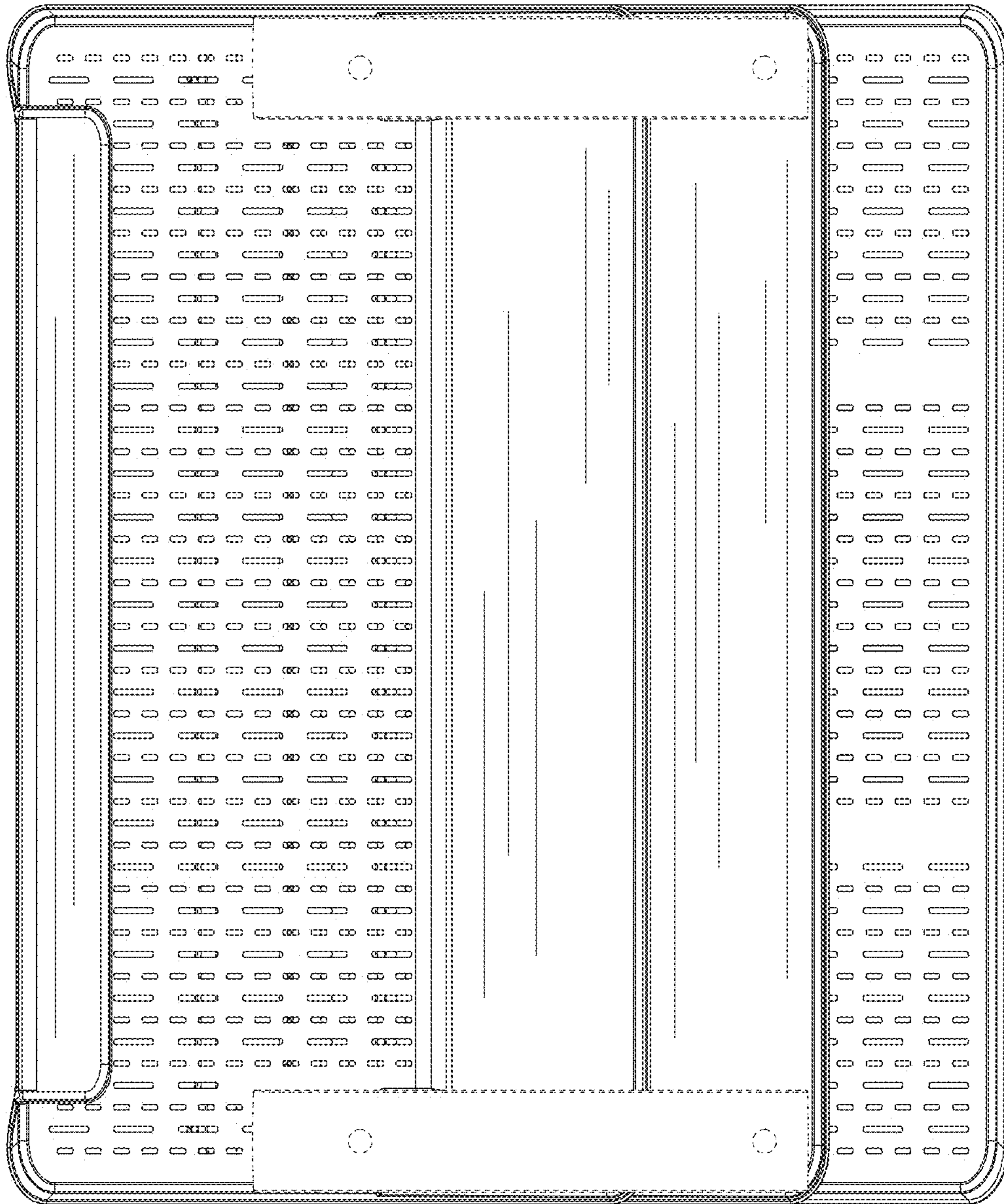


FIG. 8