



US00D871008S

(12) **United States Design Patent**
Feng

(10) **Patent No.:** **US D871,008 S**

(45) **Date of Patent:** **** Dec. 24, 2019**

(54) **CONTAINER**

(71) Applicant: **Shengli Feng**, Taizhou (CN)

(72) Inventor: **Shengli Feng**, Taizhou (CN)

(**) Term: **15 Years**

(21) Appl. No.: **29/648,709**

(22) Filed: **May 23, 2018**

(30) **Foreign Application Priority Data**

Mar. 12, 2018 (CN) 2018 3 0090277

(51) **LOC (12) Cl.** **07-05**

(52) **U.S. Cl.**
USPC **D32/53**

(58) **Field of Classification Search**
USPC D32/37, 53, 53.1, 54; D3/304, 307, 315,
D3/905; D34/1; D23/284, 288, 290
CPC B44D 3/123; B44D 3/128; B44D 3/12;
A47L 13/142; A47L 13/58; B65D 25/14;
B65D 2543/00092; B65D 45/20
See application file for complete search history.

(56) **References Cited**

U.S. PATENT DOCUMENTS

- D223,864 S * 6/1972 Vines D32/53.1
- 4,845,881 A * 7/1989 Ward A01K 97/22
43/21.2
- D339,436 S * 9/1993 Craft, Jr. B65F 1/02
D3/307
- 5,373,959 A * 12/1994 Haasewinkel B65D 43/0218
220/214
- D704,503 S * 5/2014 Manley B65F 1/02
D7/391
- D793,518 S * 8/2017 Ramczyk B65D 43/026
D22/136
- D803,637 S * 11/2017 Feng D7/629

- D820,636 S * 6/2018 Zhang B65D 43/026
D7/392.1
- D828,084 S * 9/2018 Zhang B65D 1/16
D7/392.1
- 2008/0105684 A1* 5/2008 Lindsay B65D 43/0218
220/324
- 2008/0308555 A1* 12/2008 Stolzman B65D 1/16
220/288
- 2010/0084396 A1* 4/2010 Wu B65D 45/20
220/203.29
- 2012/0285952 A1* 11/2012 James B65F 1/02
220/23.4
- 2015/0060459 A1* 3/2015 Wu B65D 43/0212
220/361
- 2015/0253055 A1* 9/2015 Tsui B65D 21/086
62/62
- 2016/0000271 A1* 1/2016 Park B65D 81/2038
220/203.29
- 2016/0046415 A1* 2/2016 Buck B65D 43/026
220/256.1

* cited by examiner

Primary Examiner — Sheryl Lane
Assistant Examiner — Calvin E Vansant
(74) *Attorney, Agent, or Firm* — Westbridge IP LLC

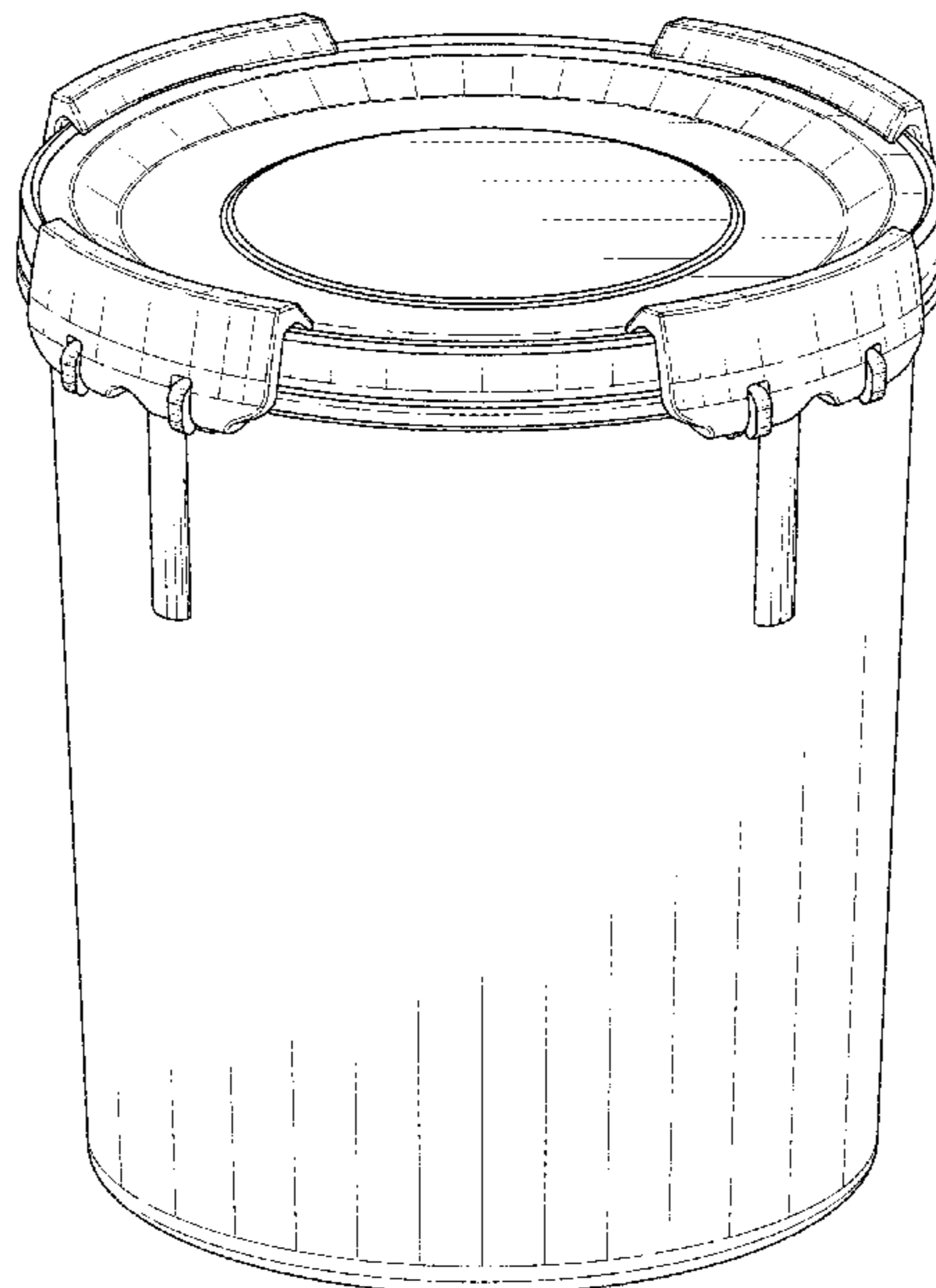
(57) **CLAIM**

The ornamental design for a container, substantially as shown and described.

DESCRIPTION

FIG. 1 is a perspective view of the body of the container showing my new design;
FIG. 2 is a front view thereof;
FIG. 3 is a left view thereof;
FIG. 4 is a top view thereof; and,
FIG. 5 is a bottom view thereof.
The broken lines depict portions of the container that form no part of the claim.

1 Claim, 5 Drawing Sheets



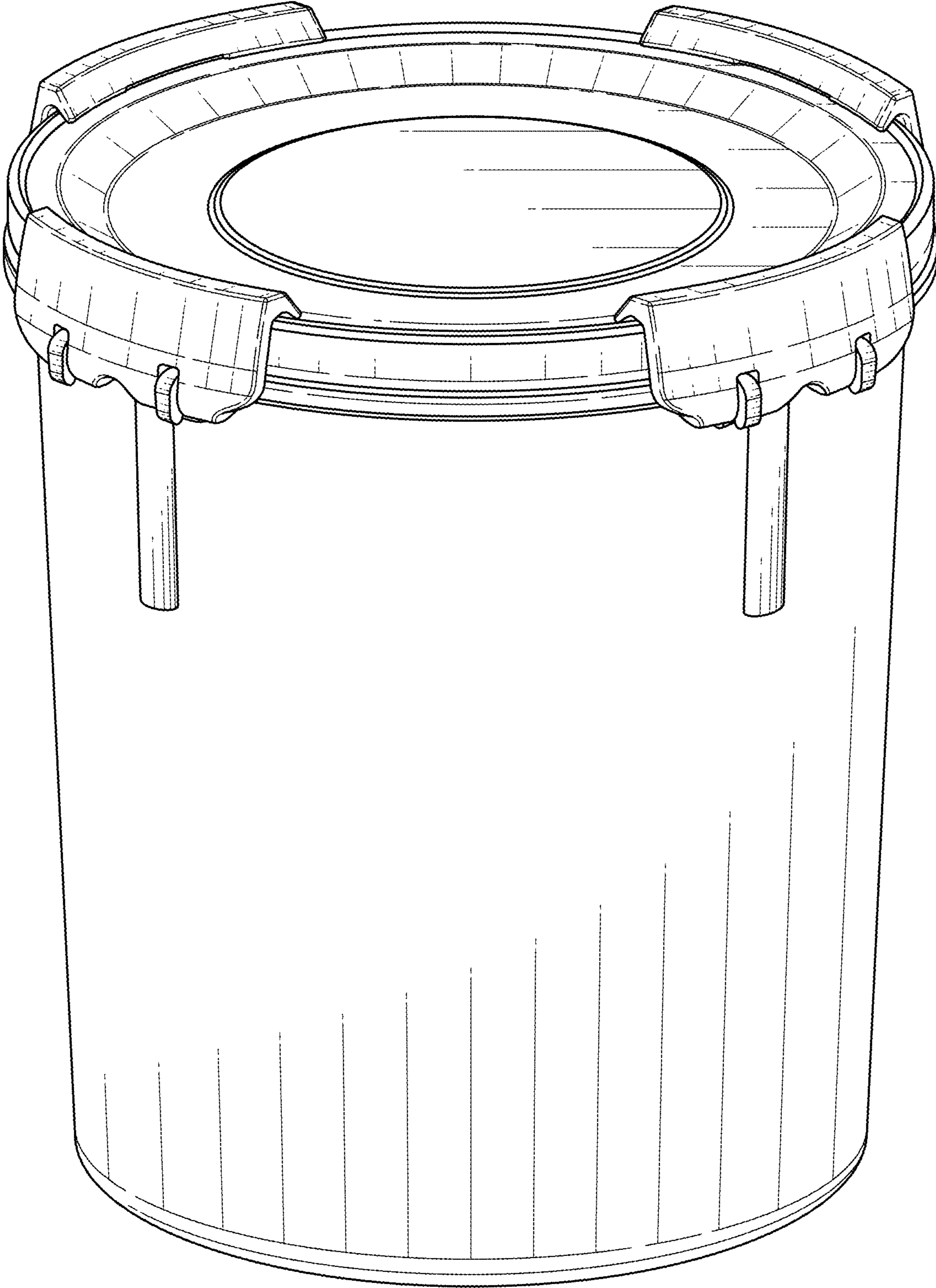


FIG. 1

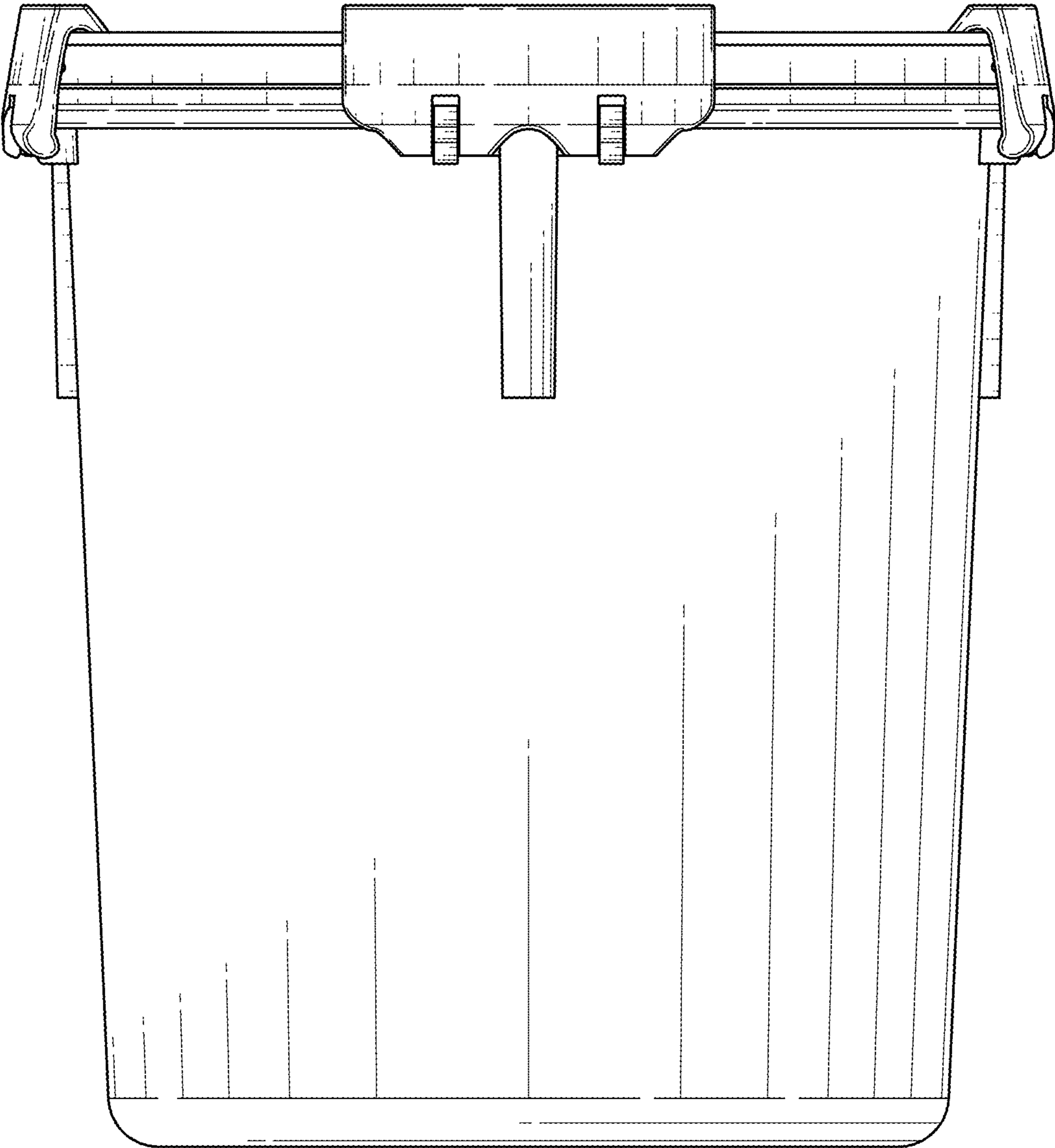


FIG. 2

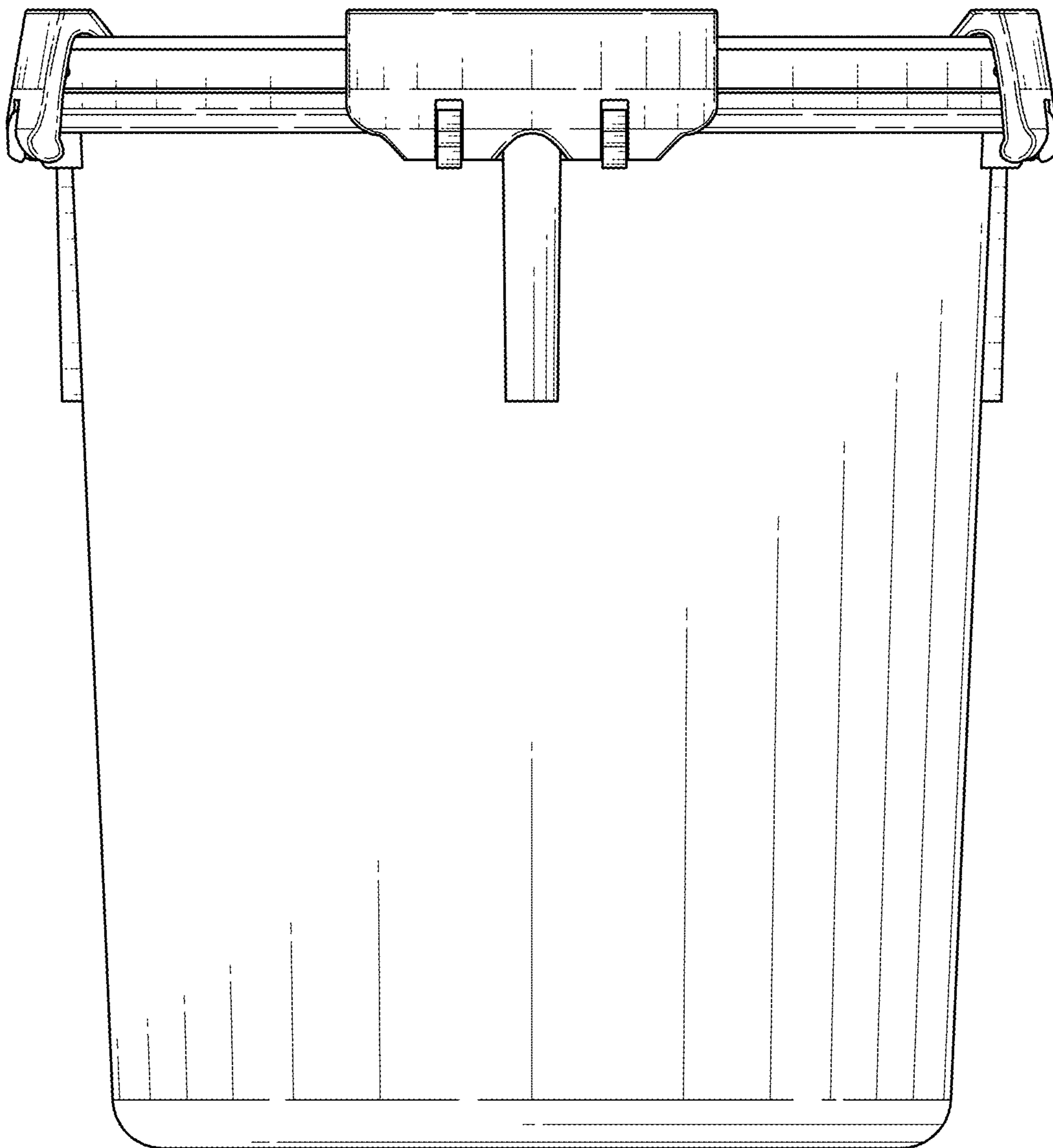


FIG. 3

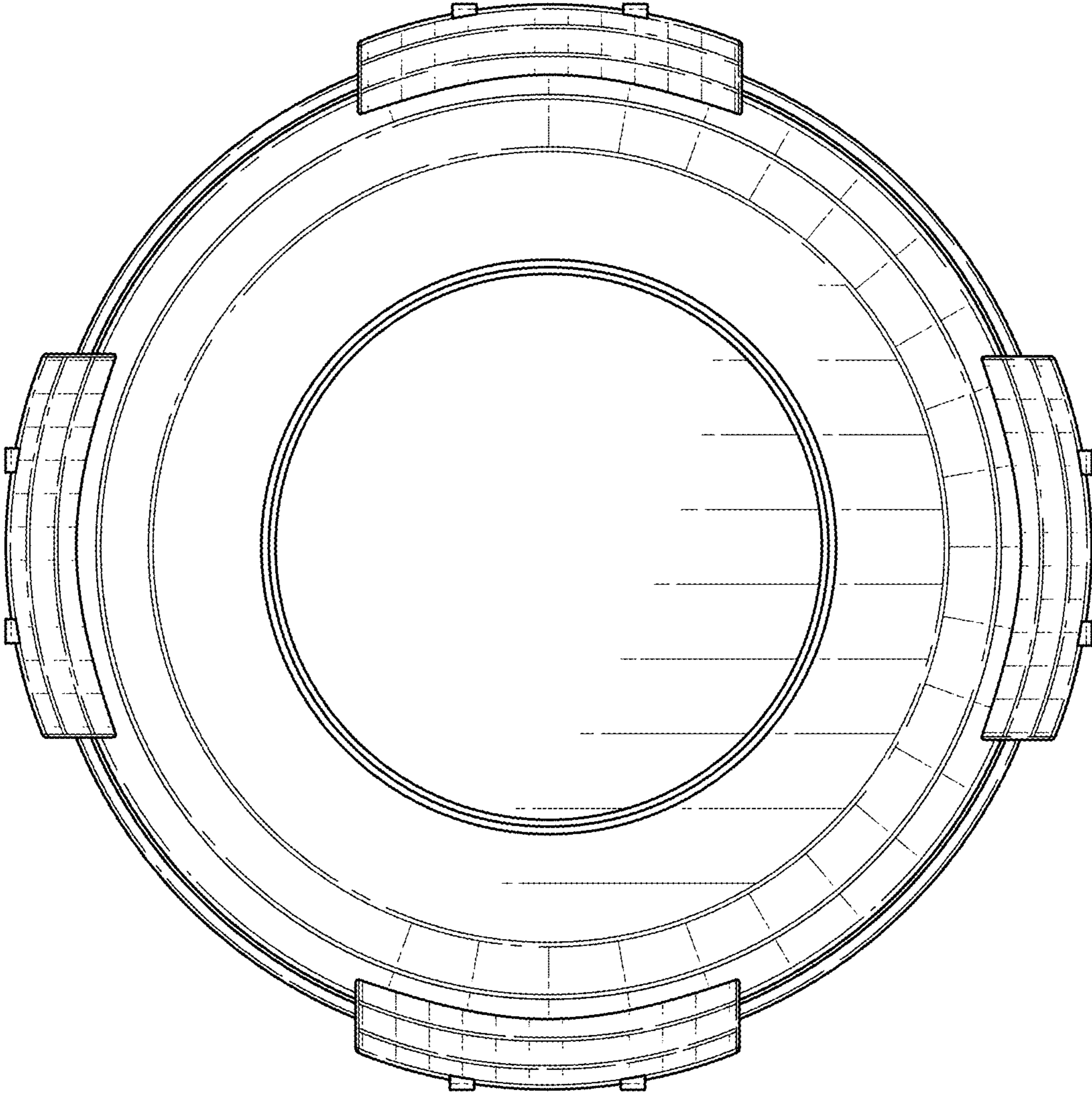


FIG. 4

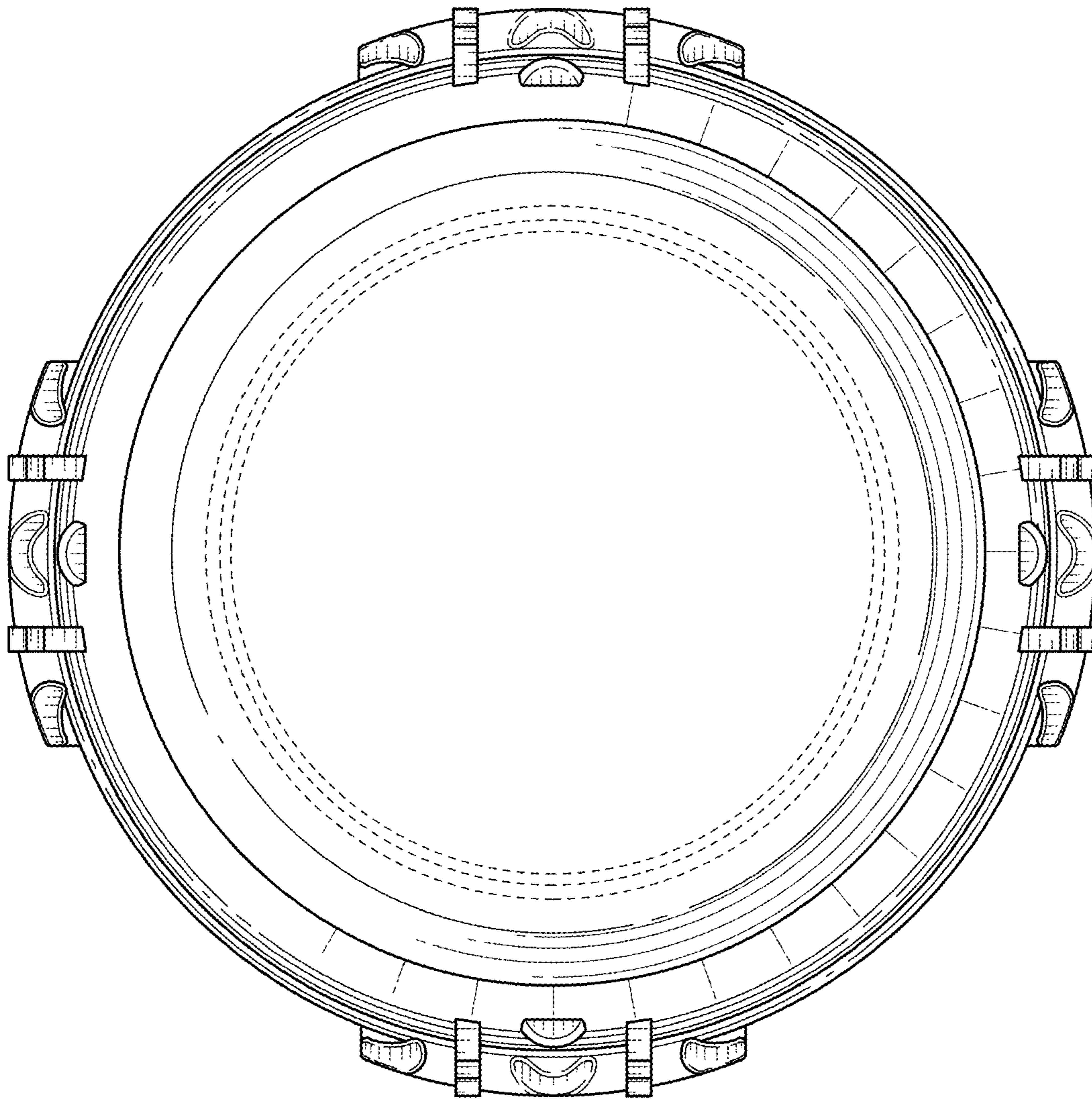


FIG. 5