



US00D871007S

(12) **United States Design Patent**  
**Robello**

(10) **Patent No.:** **US D871,007 S**

(45) **Date of Patent:** **\*\* Dec. 24, 2019**

(54) **FOLDABLE BROOM**

(71) Applicant: **Russell Robello**, Lake Worth, FL (US)

(72) Inventor: **Russell Robello**, Lake Worth, FL (US)

(\*\*) Term: **15 Years**

(21) Appl. No.: **29/669,187**

(22) Filed: **Nov. 6, 2018**

(51) **LOC (12) Cl.** ..... **07-05**

(52) **U.S. Cl.**  
USPC ..... **D32/52**

(58) **Field of Classification Search**  
USPC ..... D32/40-43, 45-46, 50-52; D4/118, 199;  
D24/217, 231; D8/11, 9; D20/17, 22,  
D20/28, 41, 99  
CPC . B08B 1/00; A61B 90/70; A47L 13/17; A47L  
13/16; A47L 5/22; A47L 5/24; B25G  
3/24; B25G 3/12; B25G 3/00  
See application file for complete search history.

(56) **References Cited**

**U.S. PATENT DOCUMENTS**

- 1,872,534 A \* 8/1932 Wallin ..... B25G 3/12  
403/347
- 2,131,612 A \* 9/1938 Campbell ..... A46B 9/08  
15/175
- 2,922,179 A \* 1/1960 Lundgren ..... B25G 3/12  
15/146
- D244,506 S \* 5/1977 Yankee ..... D32/51
- D323,727 S \* 2/1992 Re ..... D32/40
- D369,027 S \* 4/1996 Zigelboim ..... D4/122
- 5,568,668 A \* 10/1996 Margolin ..... A46B 5/0095  
15/143.1
- D375,409 S \* 11/1996 Uranga ..... D32/51
- D375,632 S \* 11/1996 Uranga ..... D32/50
- D376,911 S \* 12/1996 Zigelboim ..... D4/122
- 6,125,500 A \* 10/2000 Kat ..... A47L 5/24  
15/344
- 6,134,739 A \* 10/2000 Gonzalez ..... B25G 3/12  
15/175

- 6,349,444 B1 \* 2/2002 Sander ..... B25G 3/12  
15/146
- D472,716 S \* 4/2003 Hay ..... D32/50
- D487,973 S \* 4/2004 Vosbikian ..... D32/50
- D497,229 S \* 10/2004 Berti ..... D32/50
- 6,877,181 B2 \* 4/2005 Laux ..... A46B 15/00  
15/114
- 7,721,380 B2 \* 5/2010 Libman ..... A46B 7/04  
15/146
- D633,671 S \* 3/2011 Franklin ..... D32/40
- D663,985 S \* 7/2012 Herrera Rodriguez ..... D6/566
- D679,911 S \* 4/2013 Dobson, III ..... D4/199

(Continued)

**FOREIGN PATENT DOCUMENTS**

CN 3638666 \* 5/2007

*Primary Examiner* — Eric L Goodman

*Assistant Examiner* — John R Yeh

(74) *Attorney, Agent, or Firm* — McHale & Slavin, P.A.

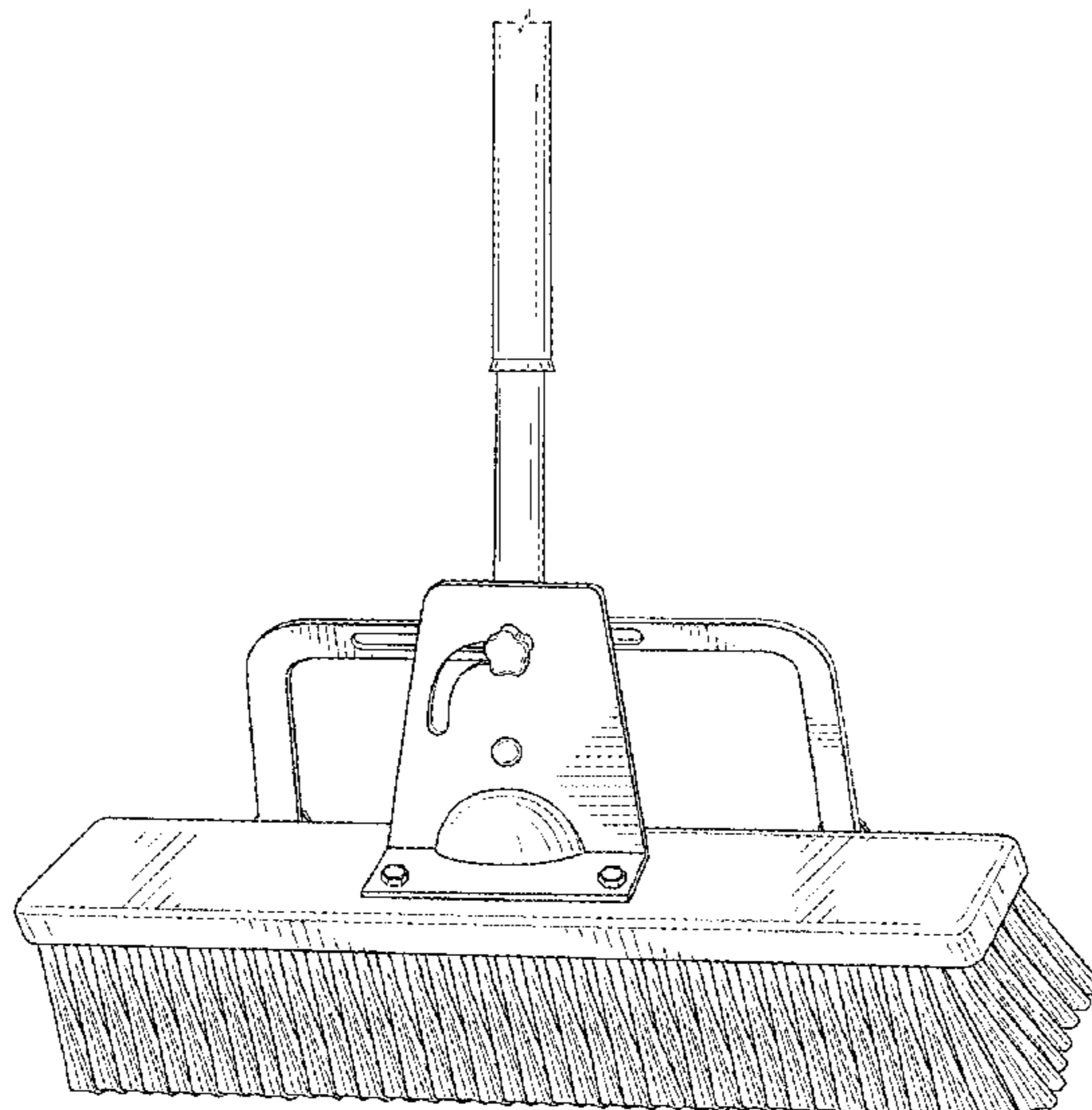
(57) **CLAIM**

The ornamental design for a foldable broom, as shown and described.

**DESCRIPTION**

FIG. 1 is a perspective view of the foldable broom of the present invention;  
 FIG. 2 is a front view thereof;  
 FIG. 3 is a back view thereof;  
 FIG. 4 is a right side view thereof;  
 FIG. 5 is a left side view thereof;  
 FIG. 6 is a top view thereof;  
 FIG. 7 is a bottom view thereof; and,  
 FIG. 8 is a perspective view of the foldable broom in an alternate configuration.  
 The broken lines in the figures represent broken away lines of the foldable broom and form no part of the claimed design.

**1 Claim, 6 Drawing Sheets**



(56)

**References Cited**

U.S. PATENT DOCUMENTS

D704,405	S	*	5/2014	Libman	.....	D32/50
D774,267	S	*	12/2016	Dobson, III	.....	D32/50
D789,637	S	*	6/2017	Dobson, III	.....	D32/51
2002/0124341	A1	*	9/2002	Cesak	.....	A46B 7/04 15/175
2007/0226930	A1	*	10/2007	Libman	.....	A46B 7/04 15/159.1

\* cited by examiner

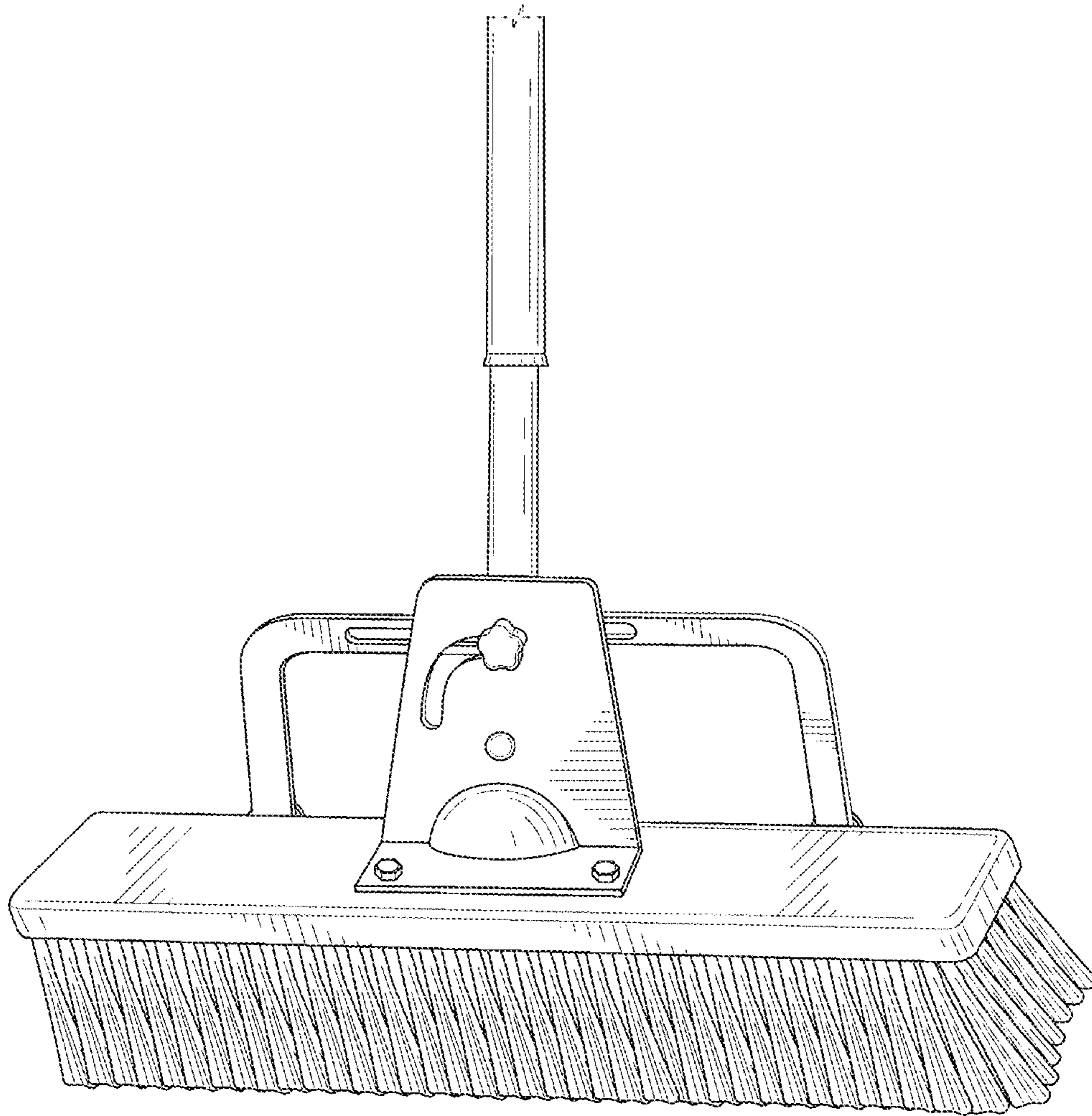


FIG. 1

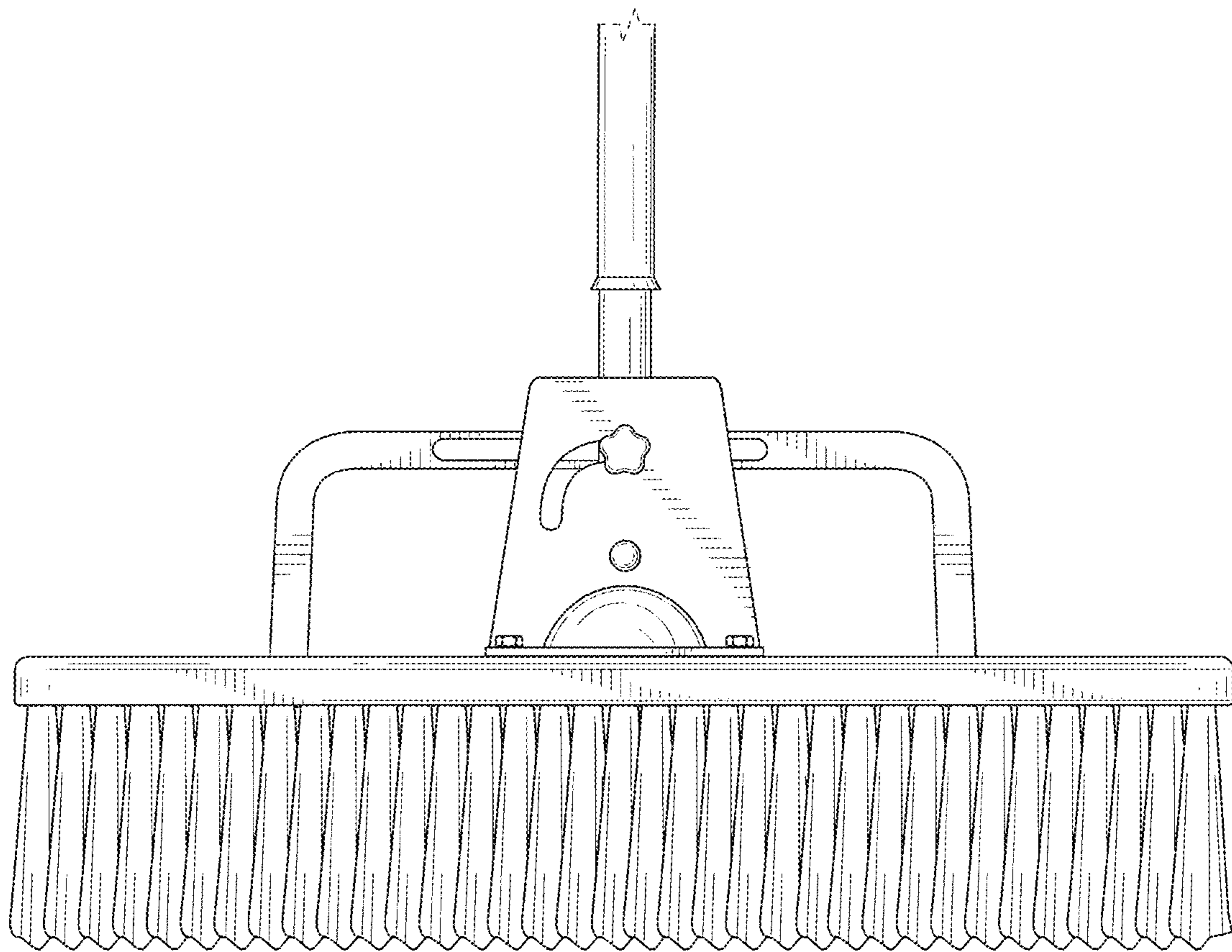


FIG. 2

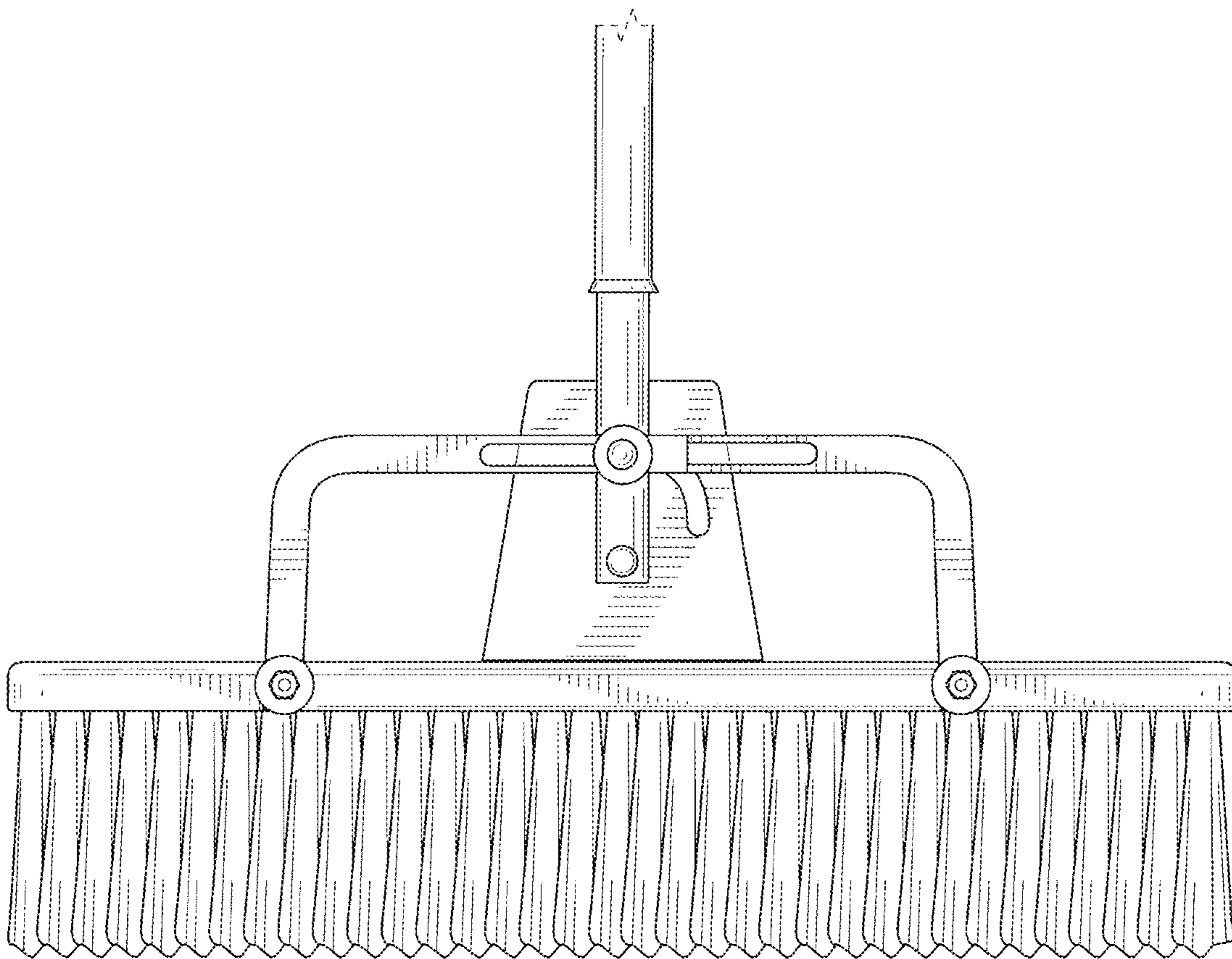


FIG. 3

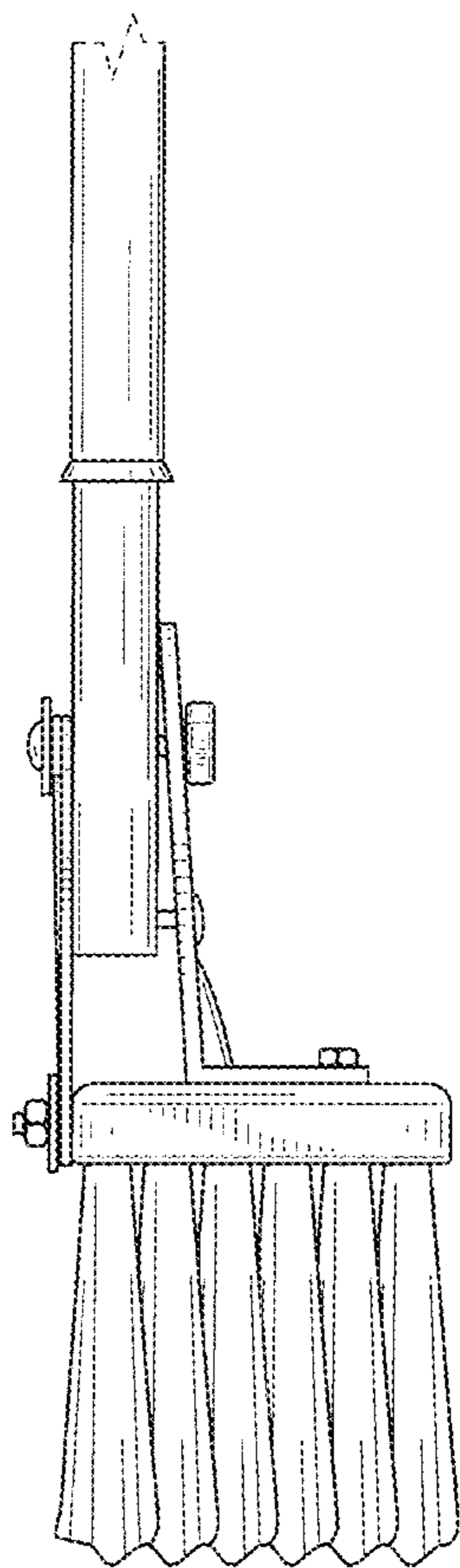


FIG. 4

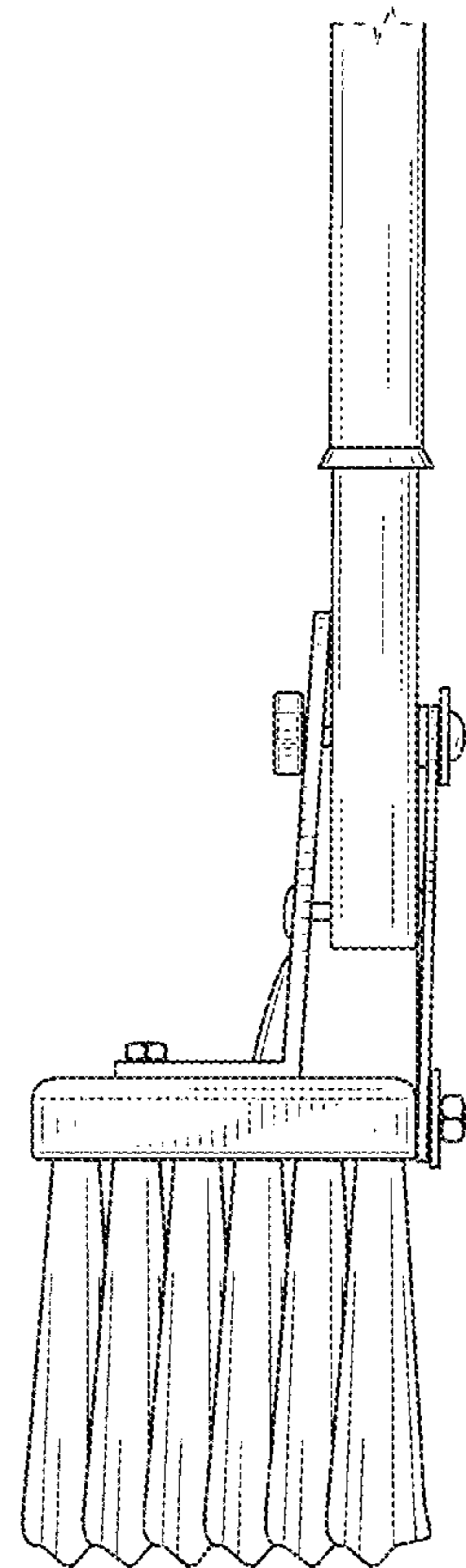


FIG. 5

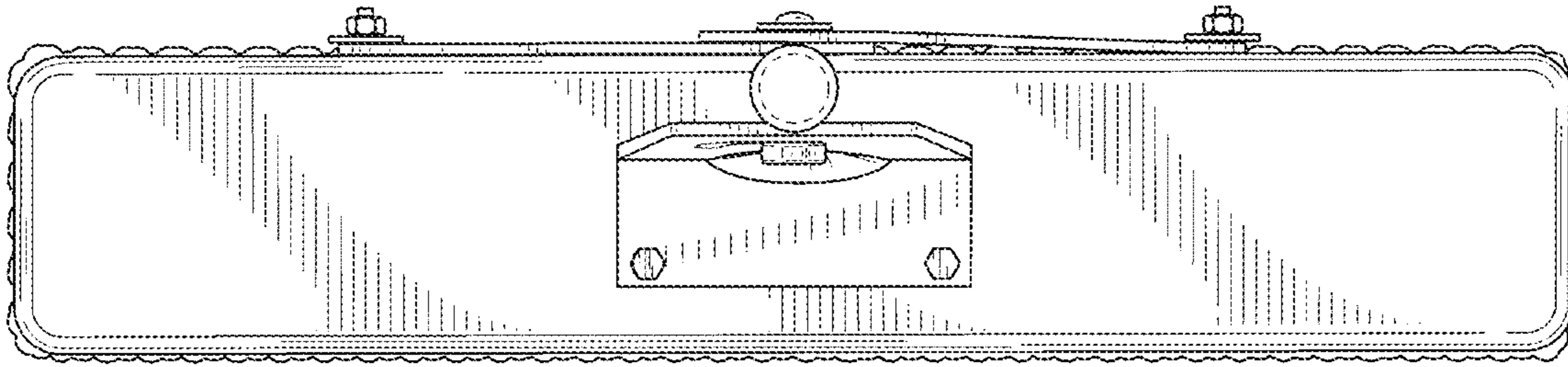


FIG. 6

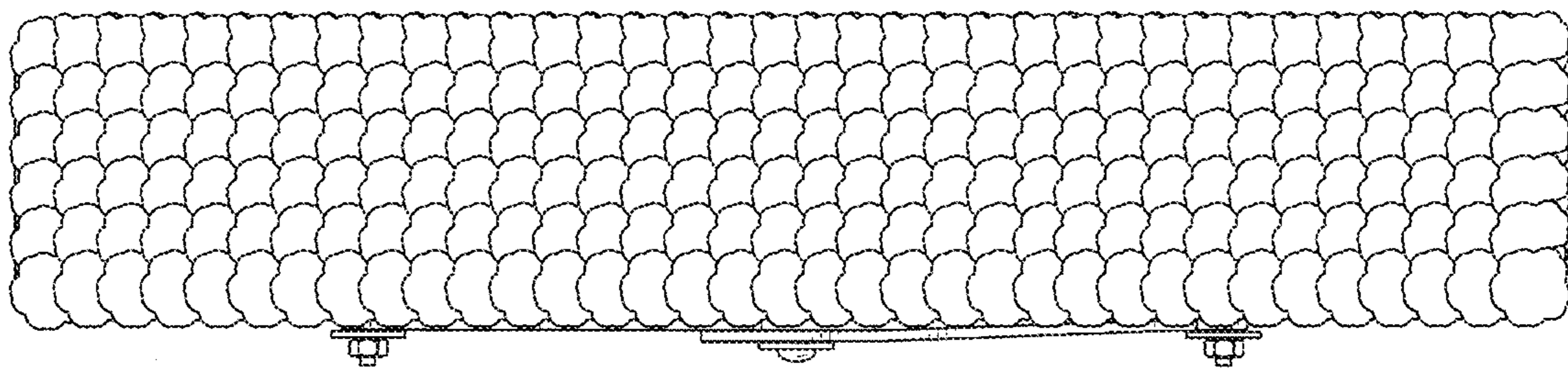


FIG. 7

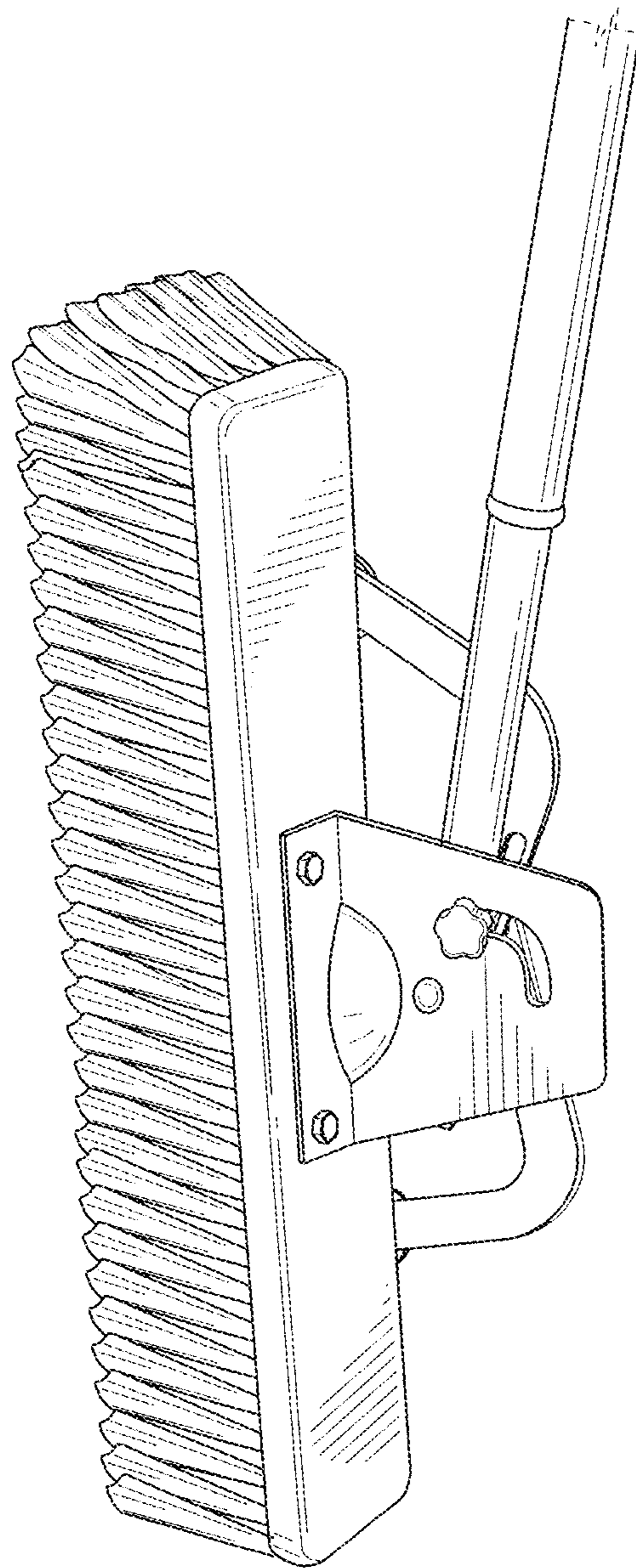


FIG. 8