



US00D871006S

(12) **United States Design Patent** (10) **Patent No.:** **US D871,006 S**
Schechter et al. (45) **Date of Patent:** **** Dec. 24, 2019**

(54) **BROOM HEAD**

(71) Applicant: **GORDON BRUSH MFG. CO., INC.**,
City of Industry, CA (US)

(72) Inventors: **Alan M. Schechter**, Long Beach, CA
(US); **Kenneth L. Rakusin**, Beverly
Hills, CA (US)

(73) Assignee: **GORDON BRUSH MFG. CO., INC.**,
City of Industry, CA (US)

(**) Term: **15 Years**

(21) Appl. No.: **29/626,049**

(22) Filed: **Nov. 14, 2017**

Related U.S. Application Data

(62) Division of application No. 29/514,973, filed on Jan.
19, 2015, now Pat. No. Des. 827,963.

(51) **LOC (12) Cl.** **04-01**

(52) **U.S. Cl.**
USPC **D32/50; D4/130**

(58) **Field of Classification Search**
USPC D4/130, 132, 135, 137, 138, 199;
D32/50-52
CPC A46B 7/026; A46B 5/005; A46B 17/04;
A46B 2200/1046

See application file for complete search history.

(56) **References Cited**

U.S. PATENT DOCUMENTS

592,282 A	10/1897	Dundon	
D321,793 S	11/1991	Bryant	
D386,907 S	12/1997	Rittenbaum	
5,774,922 A	7/1998	Bumb	
D658,895 S *	5/2012	Pottes	D4/199
8,402,590 B1 *	3/2013	Larson	A46B 9/025
			15/160
D683,968 S *	6/2013	Pottes	D4/199

D693,078 S	11/2013	Nordvik	
D693,079 S *	11/2013	Nordvik	D32/50
D697,280 S *	1/2014	Casini	D32/50
D698,111 S *	1/2014	Casini	D32/50
8,739,348 B1	6/2014	Currier	
D733,436 S *	7/2015	Vasilakes	D4/135
D734,909 S *	7/2015	Clemen	D32/50
D737,056 S *	8/2015	Vasilakes	D4/135
D764,131 S *	8/2016	Seifts	D32/50
9,615,652 B2 *	4/2017	Weis	A46B 9/025
D785,948 S *	5/2017	Weaver	D4/135
2006/0070198 A1	4/2006	DeRoma	
2014/0325780 A1 *	11/2014	Weis	A46B 9/00
			15/171

(Continued)

OTHER PUBLICATIONS

Milwaukee Dustless Brush Catalog 2011, Gordon Brush Wisconsin, LLC, "Innovative Products that Clean Better and Last Longer", selected pages (12 total).

(Continued)

Primary Examiner — Michelle E. Wilson

(74) *Attorney, Agent, or Firm* — Sandberg Phoenix & von Gontard, P.C.

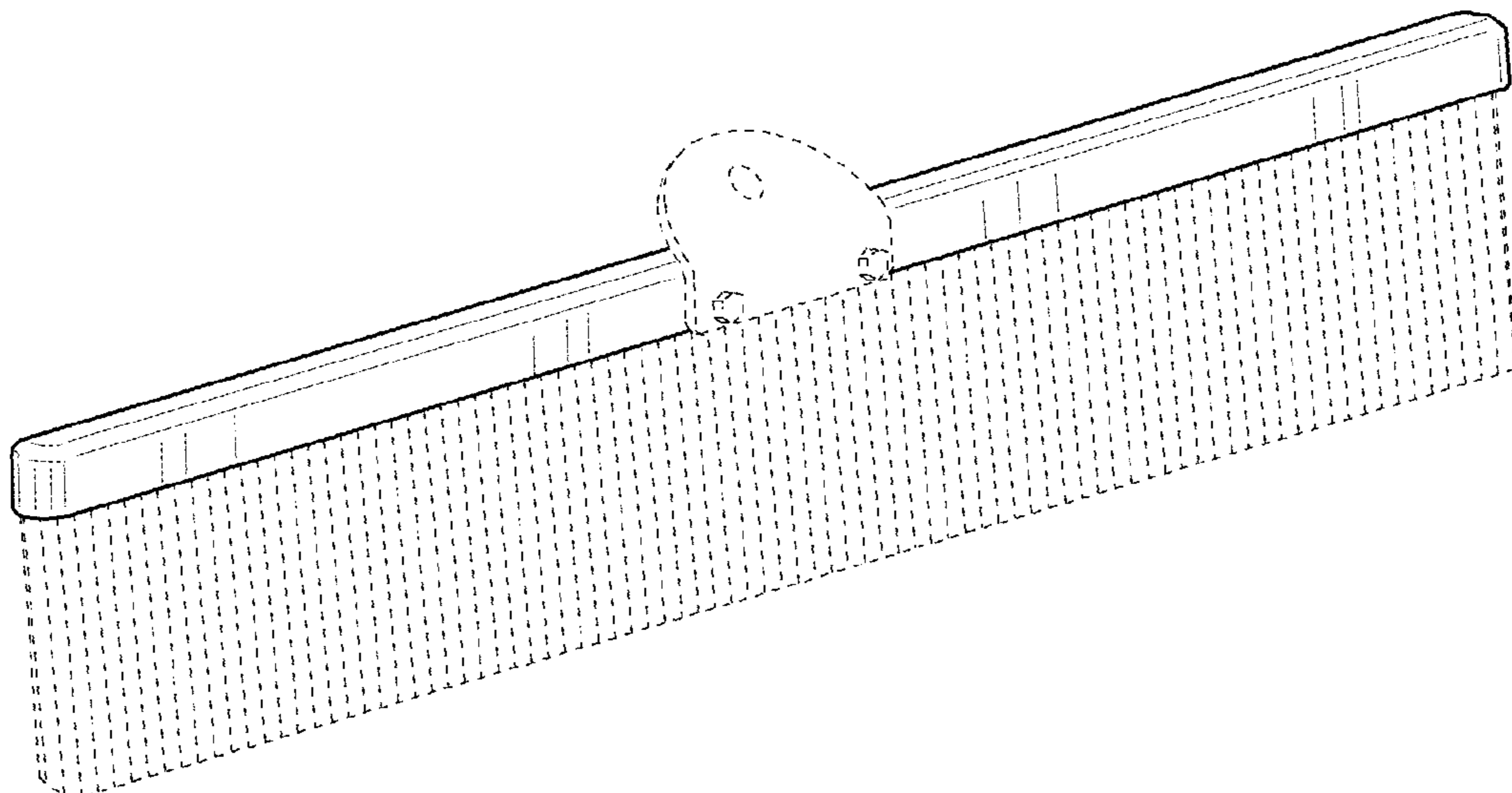
(57) **CLAIM**

The ornamental design for broom head, as shown and described.

DESCRIPTION

FIG. 1 is a front isometric view of a broom head;
FIG. 2 is a back isometric view of the broom head;
FIG. 3 is a bottom plan view of the broom head;
FIG. 4 is a left side elevational view of the broom head;
FIG. 5 is a right elevational view of the broom head;
FIG. 6 is a top plan view of the broom head;
FIG. 7 is a back elevational view of the broom head; and,
FIG. 8 is a front elevational view of the broom head.

1 Claim, 3 Drawing Sheets



(56)

References Cited

U.S. PATENT DOCUMENTS

2014/0331426 A1* 11/2014 Weis A46B 7/04
15/114
2016/0029781 A1* 2/2016 Tomm A46B 7/046
15/176.2

OTHER PUBLICATIONS

Gordon Brush Product Catalog 2014, "Bigger, Better Brush Ideas",
selected pages (9 total).

* cited by examiner

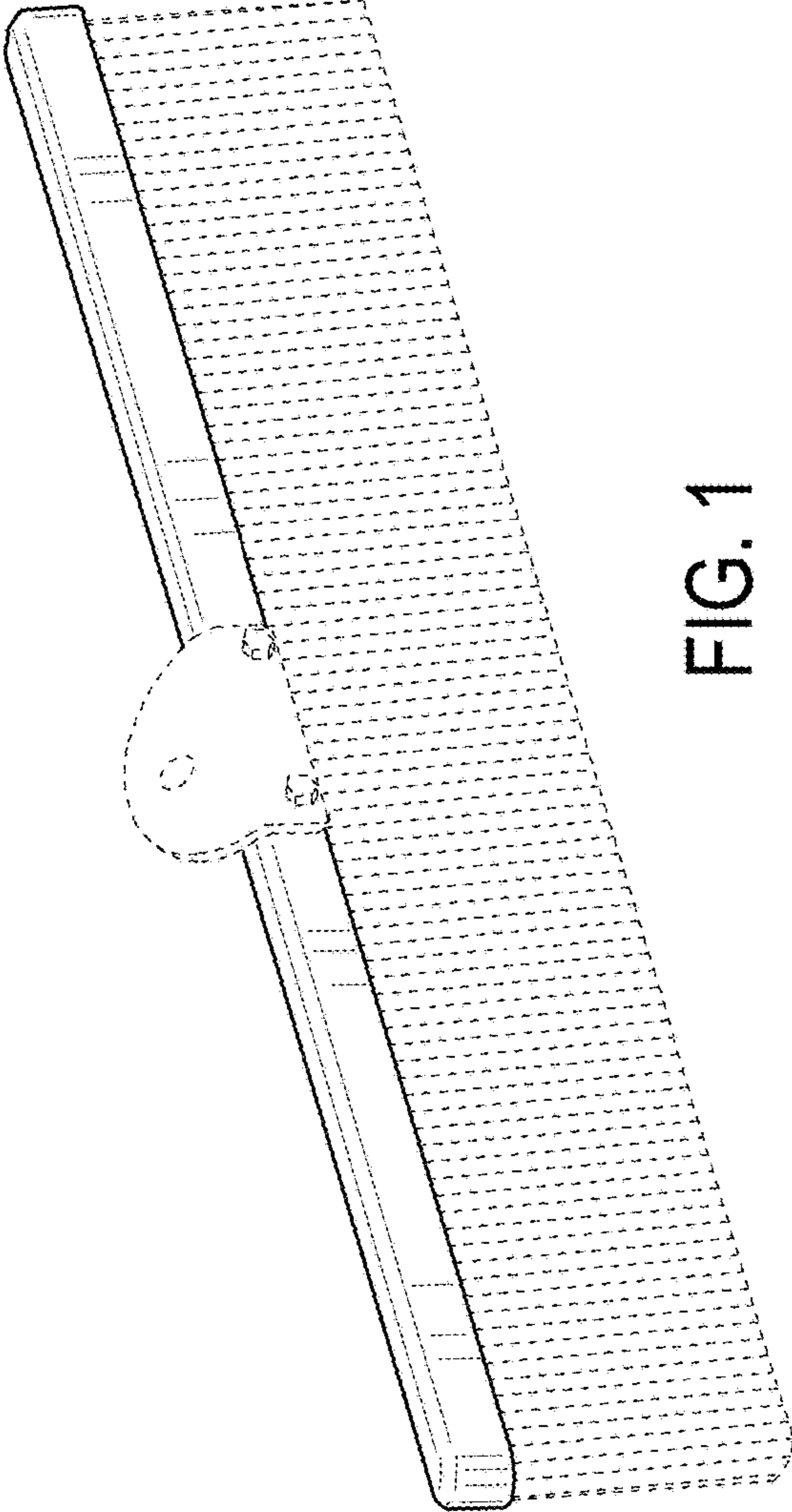


FIG. 1

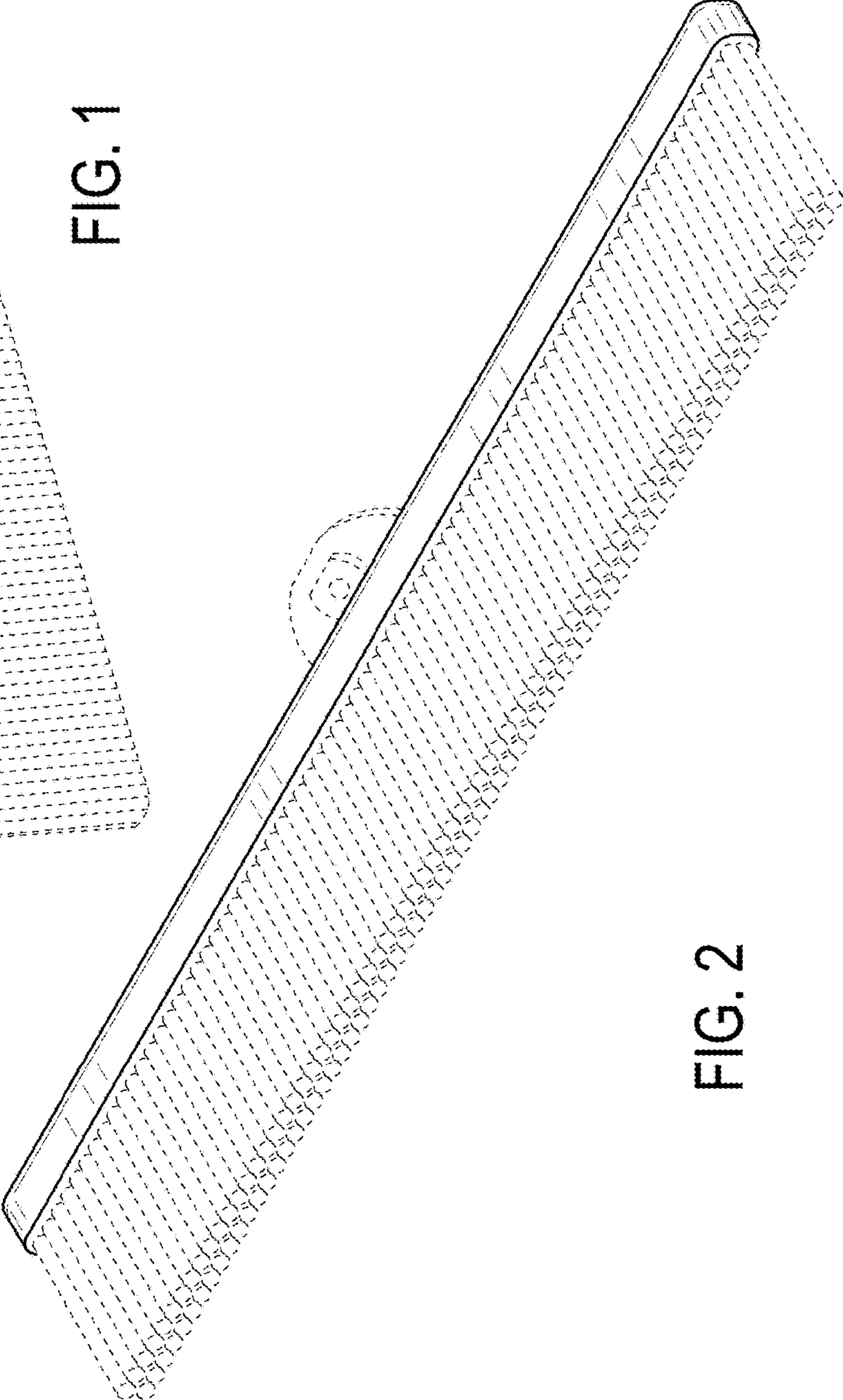


FIG. 2

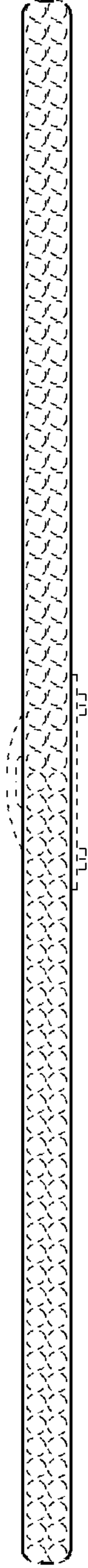


FIG. 3

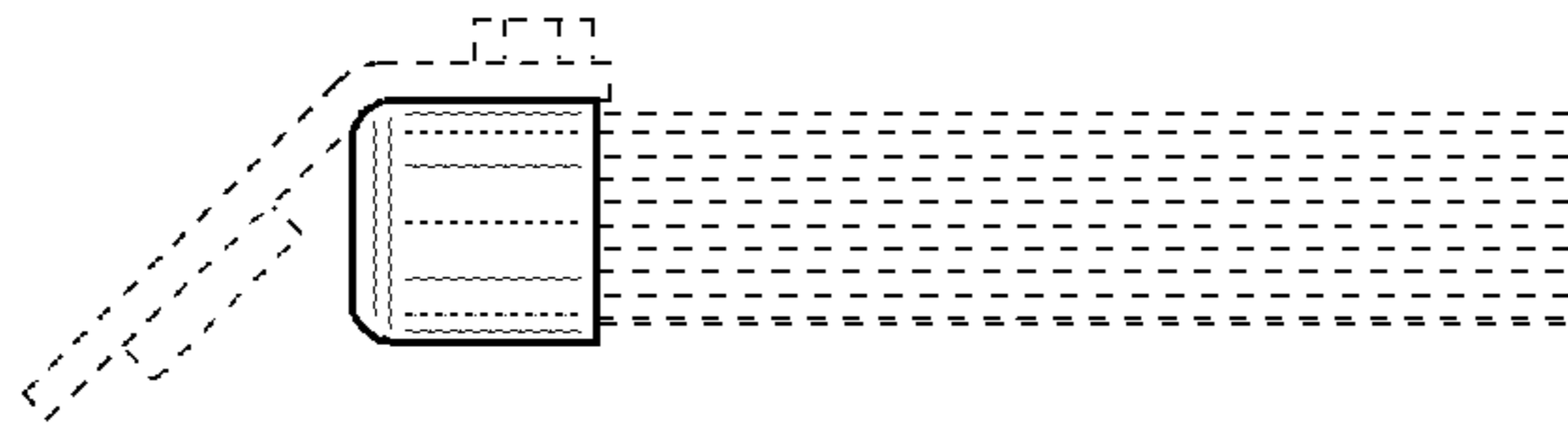


FIG. 4

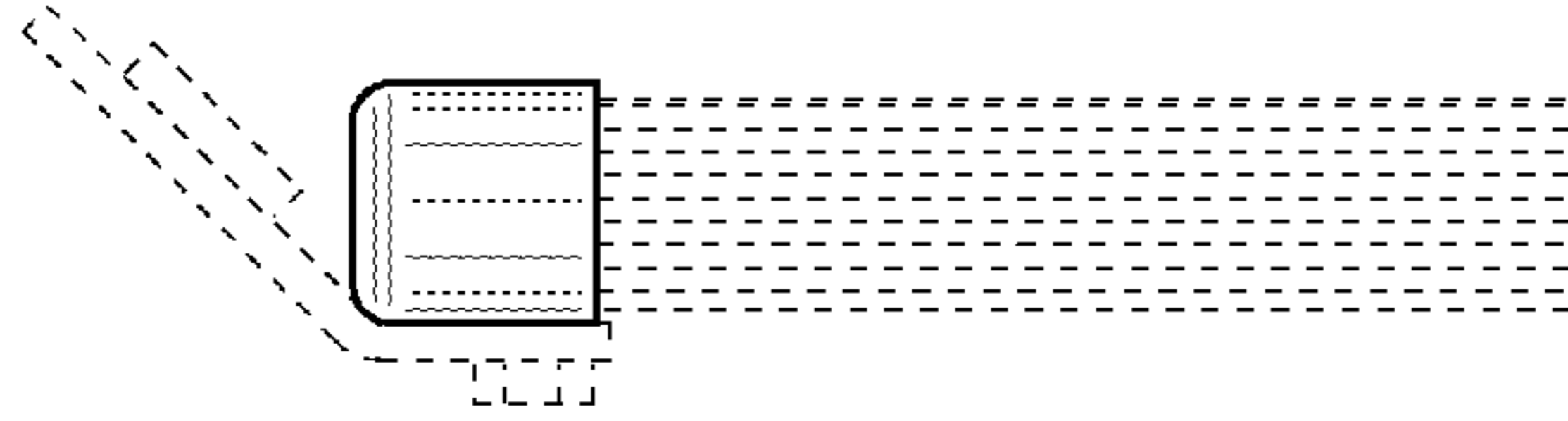


FIG. 5

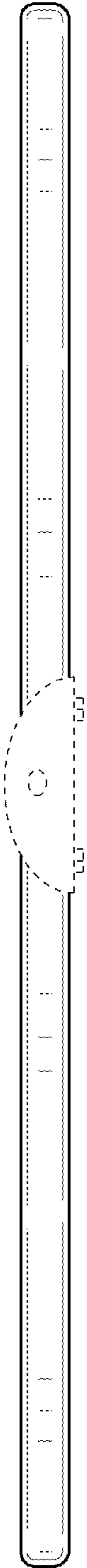


FIG. 6

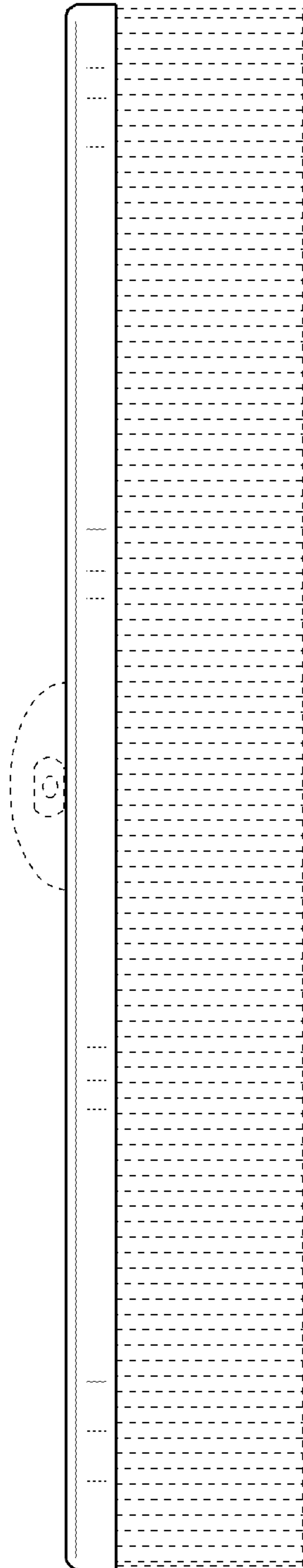


FIG. 7

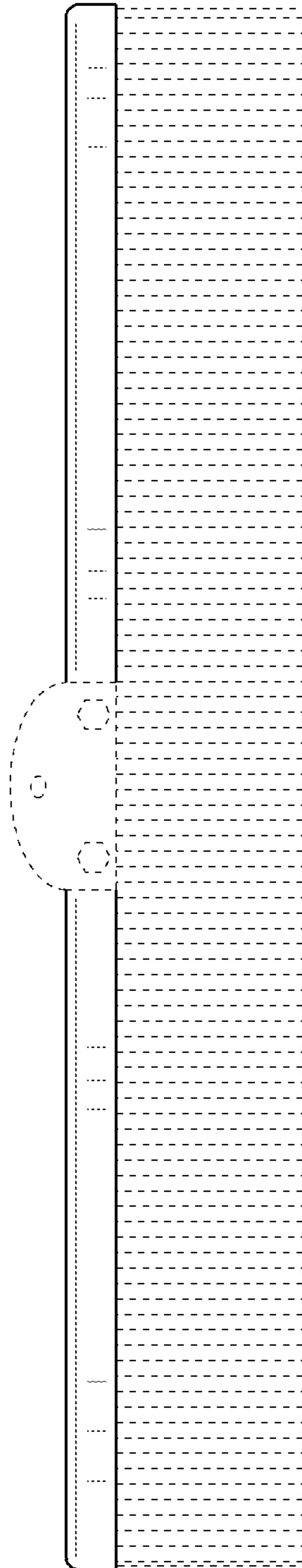


FIG. 8