

US00D871005S

(12) **United States Design Patent**
Young

(10) **Patent No.:** **US D871,005 S**

(45) **Date of Patent:** **** Dec. 24, 2019**

- (54) **MOP** 1,899,845 A * 2/1933 Benedict A47L 13/24
15/145
- (71) Applicant: **Scot Young Research Limited**, West Midlands (GB) 2,209,635 A * 7/1940 Raittila A47L 13/24
15/150
- (72) Inventor: **Ronald Alexander (Scot) Young**, West Midlands (GB) 2,492,232 A * 12/1949 Martin A47L 13/24
15/152
- 2,744,280 A * 5/1956 Craig A47L 13/24
15/229.2

(Continued)

(73) Assignee: **Scot Young Research Limited**, West Midlands (GB)

FOREIGN PATENT DOCUMENTS

(**) Term: **15 Years**

EM 003747641-0001 * 2/2017

(21) Appl. No.: **29/613,539**

OTHER PUBLICATIONS

(22) Filed: **Aug. 10, 2017**

Standard Mop Head, reviews 2016, site visited Aug. 6, 2018, https://www.toolstation.com/shop/Cleaning+%26+Pest+Control/d260/Mops+%26+Sponges/sd3255/Standard+Mop+Head/p15650.*

(30) **Foreign Application Priority Data**

(Continued)

Feb. 10, 2017 (EM) 003747641-0001

(51) **LOC (12) Cl.** **07-05**

(52) **U.S. Cl.**
USPC **D32/50**

(58) **Field of Classification Search**
USPC ... D32/50-53, 40, 45, 17-18, 21-22, 24-25,
D32/38; D4/130-132, 134-135, 138, 199
CPC A47L 13/52; A47L 13/12; A47L 13/00;
A47L 13/20; A47L 13/24; A47L 13/22;
A46B 7/04; A46B 7/06; A46B 5/00;
B43M 11/02

Primary Examiner — John Windmuller
Assistant Examiner — John R Yeh
(74) *Attorney, Agent, or Firm* — Shumaker & Sieffert,
P.A.

See application file for complete search history.

(57) **CLAIM**

The ornamental design for a mop, as shown and described.

(56) **References Cited**

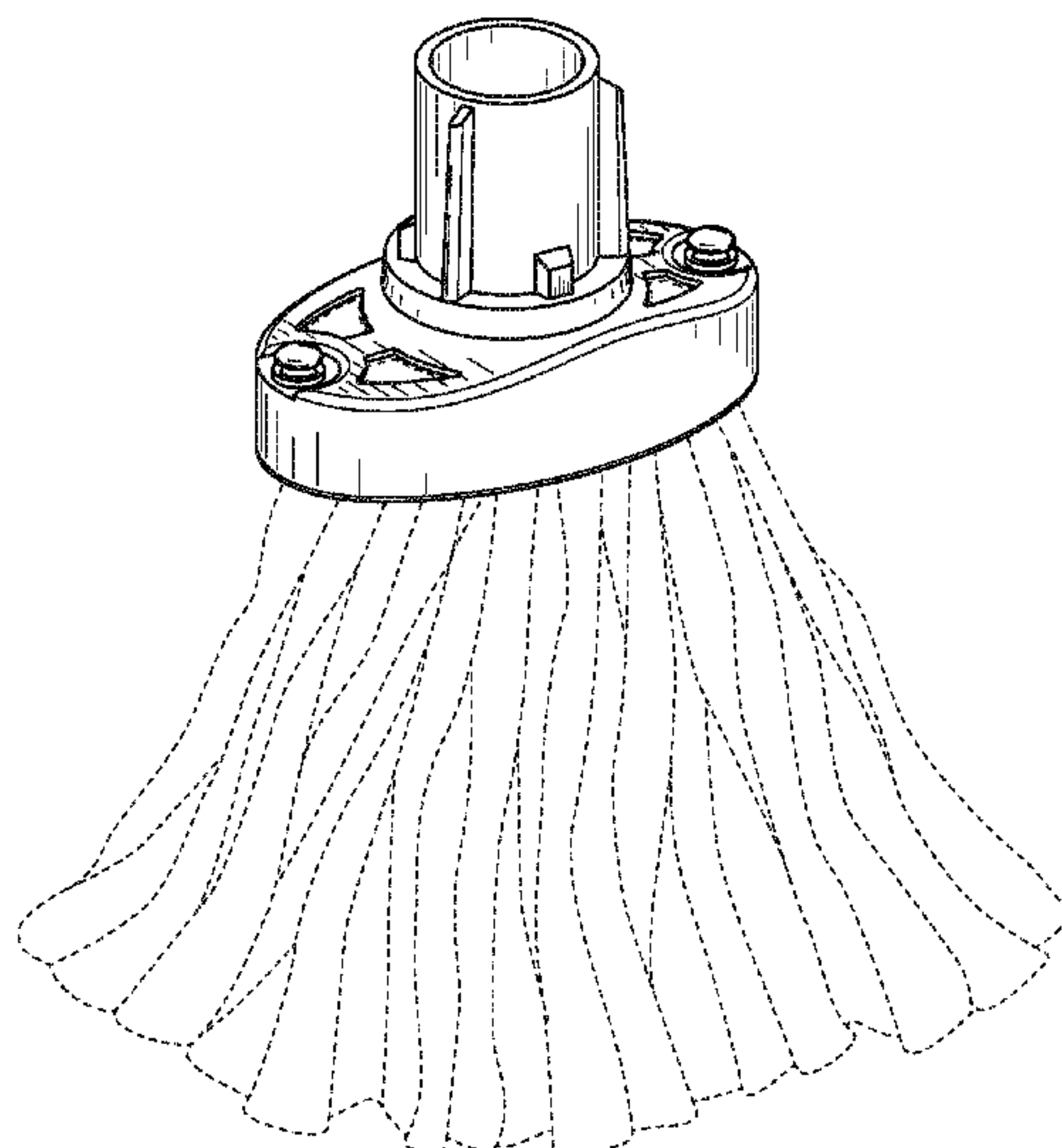
DESCRIPTION

U.S. PATENT DOCUMENTS

- 1,150,957 A * 8/1915 Nelson A47L 13/20
15/229.1
- 1,329,826 A * 2/1920 Christopher A46B 3/10
15/146
- 1,609,157 A * 11/1926 Crater A47L 13/24
15/229.1
- 1,711,242 A * 4/1929 Morris A47L 13/24
15/229.2

FIG. 1 is a perspective view of the mop showing my new design;
FIG. 2 is a front view of the mop;
FIG. 3 is a first side view of the mop;
FIG. 4 is a second side view of the mop showing the side opposite the first side;
FIG. 5 is a rear view of the mop;
FIG. 6 is a top view of the mop; and,
FIG. 7 is a bottom view of the mop.
In the figures, any broken lines depict environmental subject matter and form no part of the claimed design.

1 Claim, 7 Drawing Sheets



(56)

References Cited

U.S. PATENT DOCUMENTS

3,996,638 A * 12/1976 Scarola A47L 13/24
15/151
D281,635 S * 12/1985 Machaek D32/50
4,995,134 A * 2/1991 Monahan A47L 13/258
15/105
6,131,233 A * 10/2000 Bolton A47L 13/20
15/147.1
6,772,468 B1 * 8/2004 Psik A47L 13/24
15/147.1
D496,509 S * 9/2004 Petner D32/42
6,836,921 B1 * 1/2005 Petner A47L 13/24
15/115
6,988,291 B2 * 1/2006 Jurgens A47L 13/24
116/207
7,246,399 B2 * 7/2007 Petner A47L 13/24
15/147.1
D582,619 S * 12/2008 Kong D32/40
D607,169 S * 12/2009 Weis D32/40
7,650,661 B2 * 1/2010 Young A47L 13/11
15/118
8,341,797 B2 * 1/2013 Young A47L 13/20
15/208
D694,973 S * 12/2013 Libman D32/40

OTHER PUBLICATIONS

ISSUU website catalog, site visited Dec. 7, 2018, https://issuu.com/scotyoungh/docs/syr_continental_catalogue_2015.*

ISSUU website catalog, site visited Dec. 7, 2018, https://issuu.com/scotyoungh/docs/healthcare_catalogue_2016.*

CHSA Cotton Twine Mophead c/w Colour Coded Tags, website copyright 2014-2018, <http://www.syrclan.com/products/106-chsa-cotton-twine-mophead-cw-colour-coded-tags.html>, site visited Dec. 7, 2018.*

Amazon Products, “SYR 910217 SYRTEX Socket Mop, Midi White Yam, 43 cm Diameter, Yellow (Pack of 20),” by SYR, accessed from https://www.amazon.co.uk/SYR-910217-SYRTEX-Socket-Diameter/dp/B01HY7EY0S/ref=sr_1_fknull_1?keywords=syr+910217&qid=1558119796&s=gateway&sr=8-1-fknull— Accessed on May 10, 2019 (3 pp).

* cited by examiner

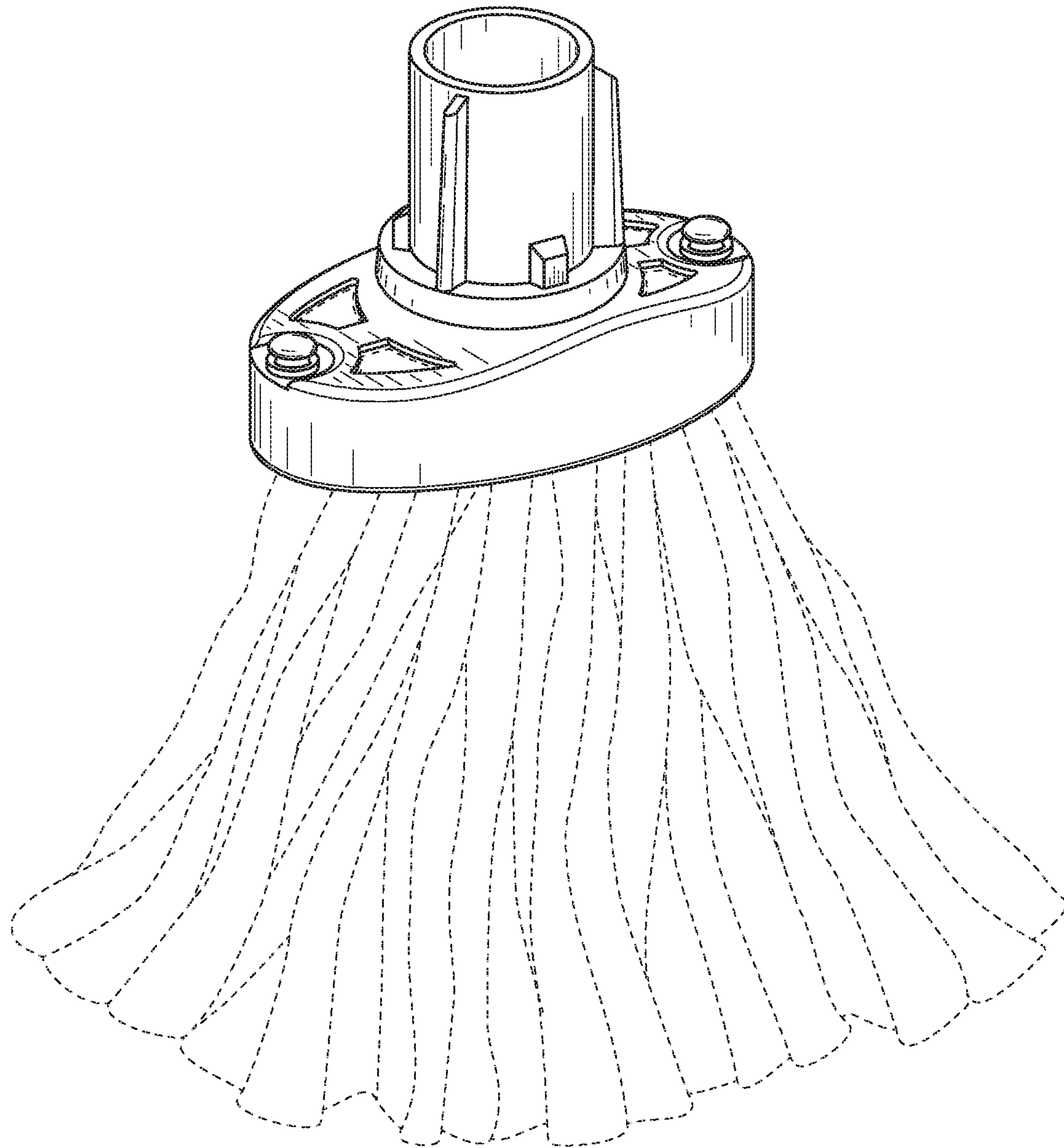


FIG. 1

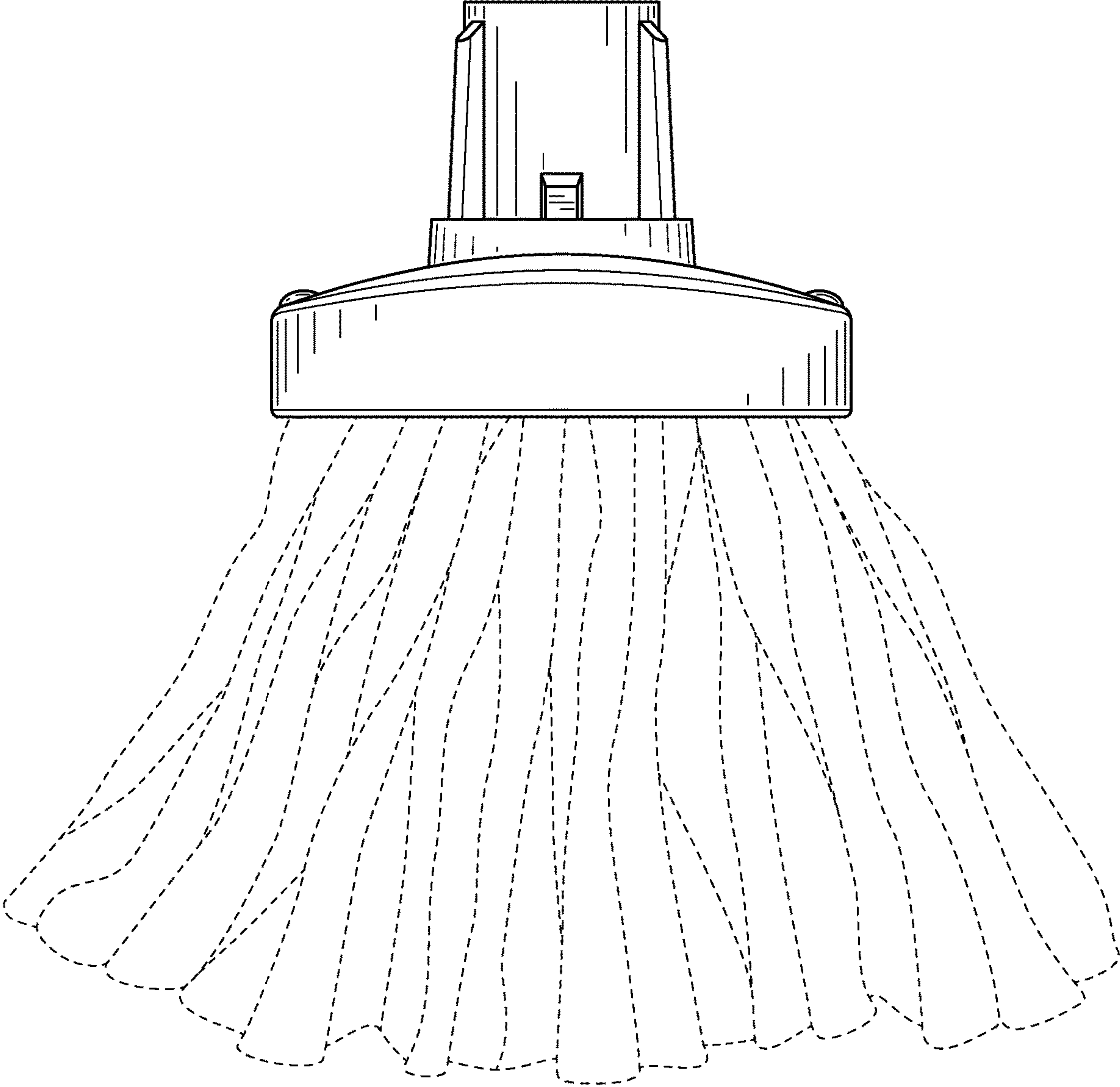


FIG. 2

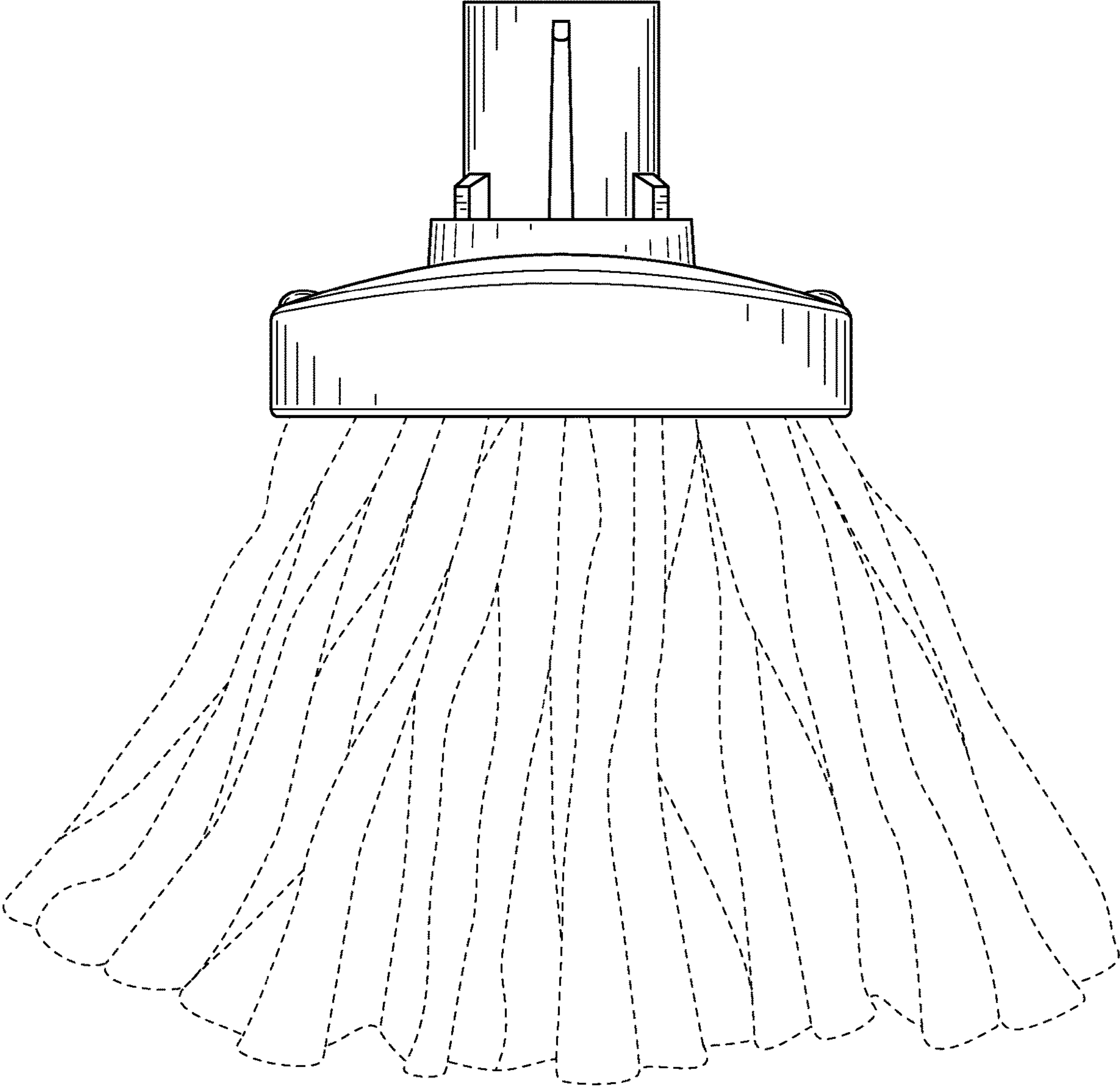


FIG. 3

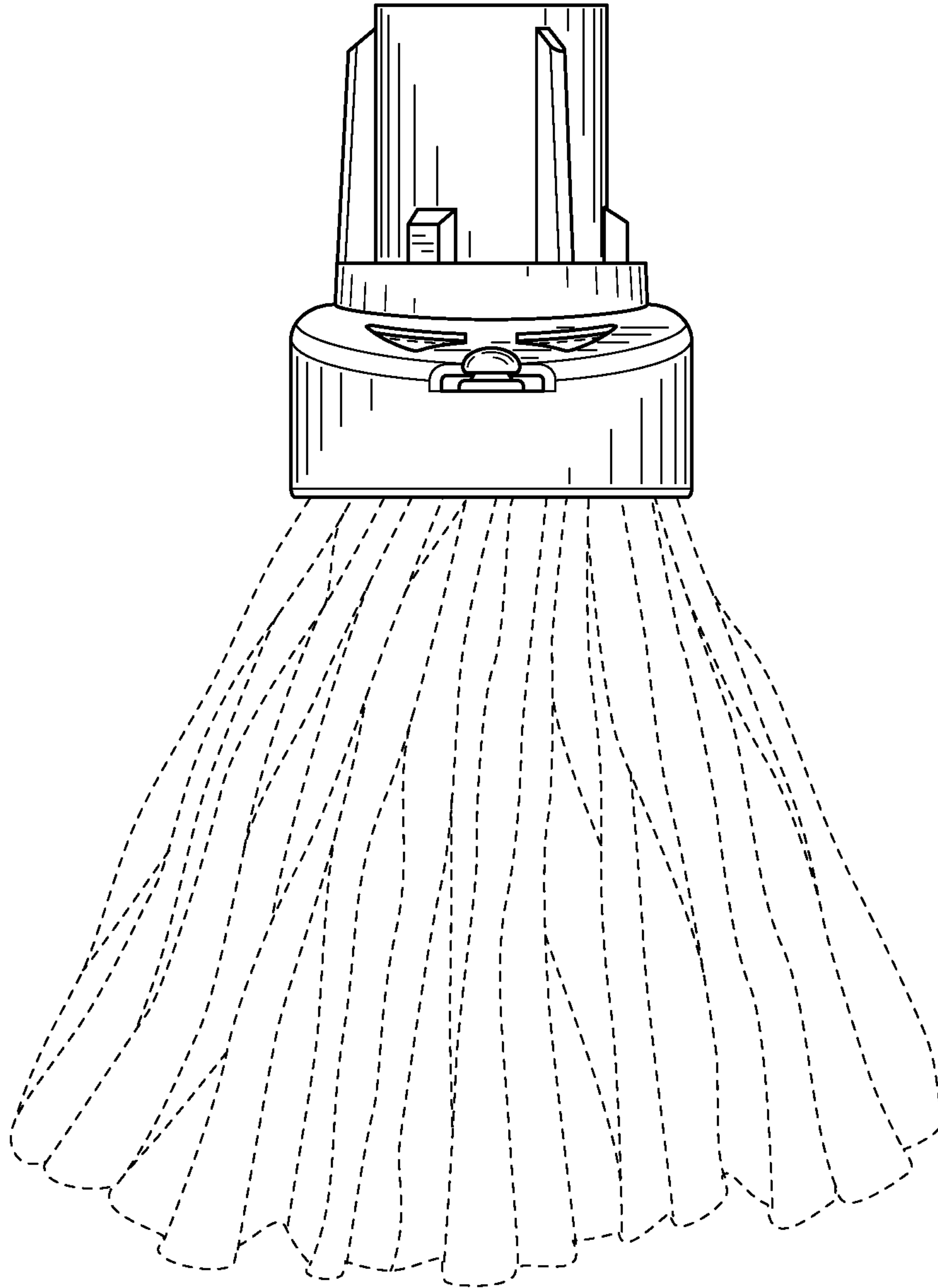


FIG. 4

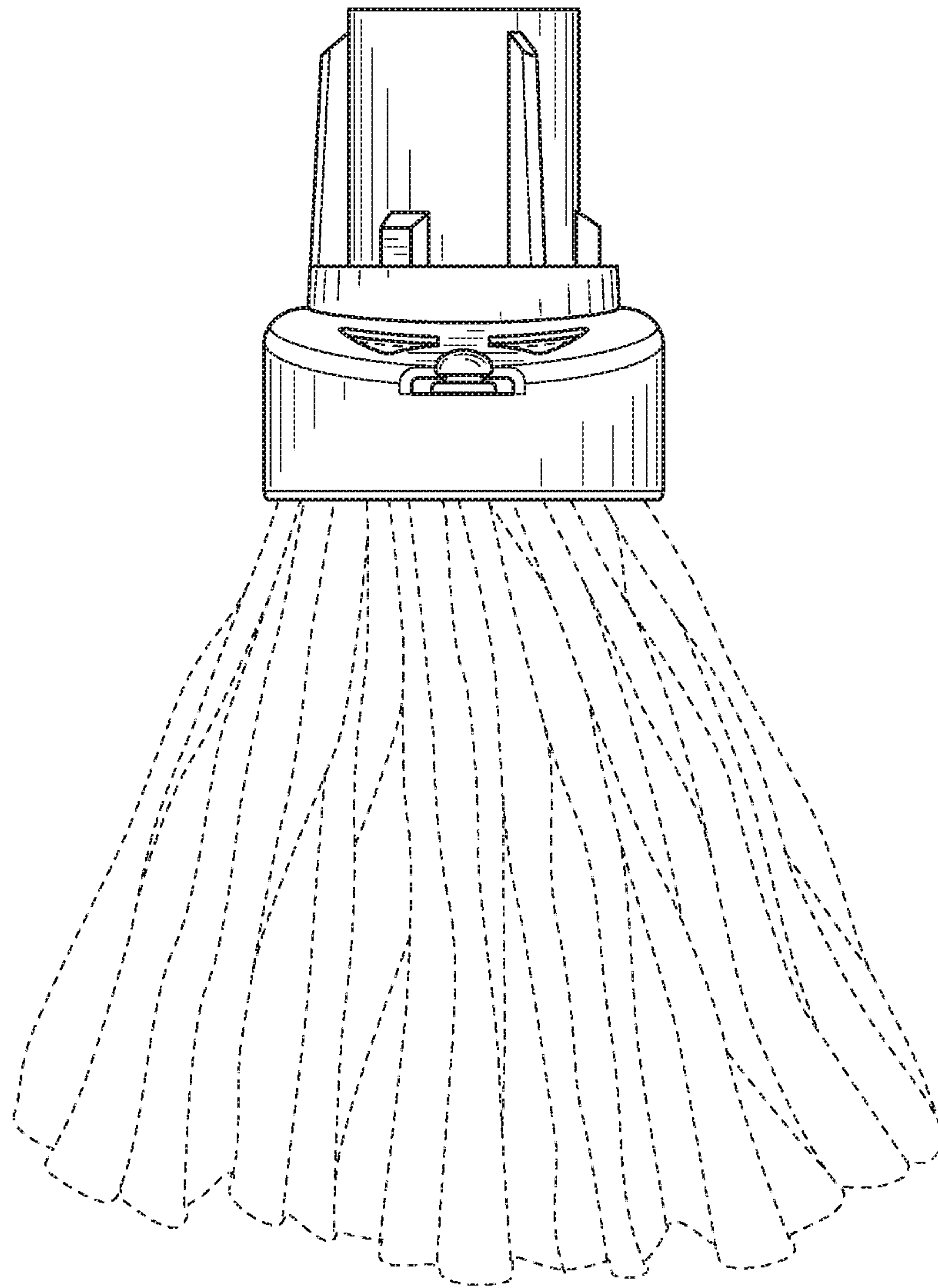


FIG. 5

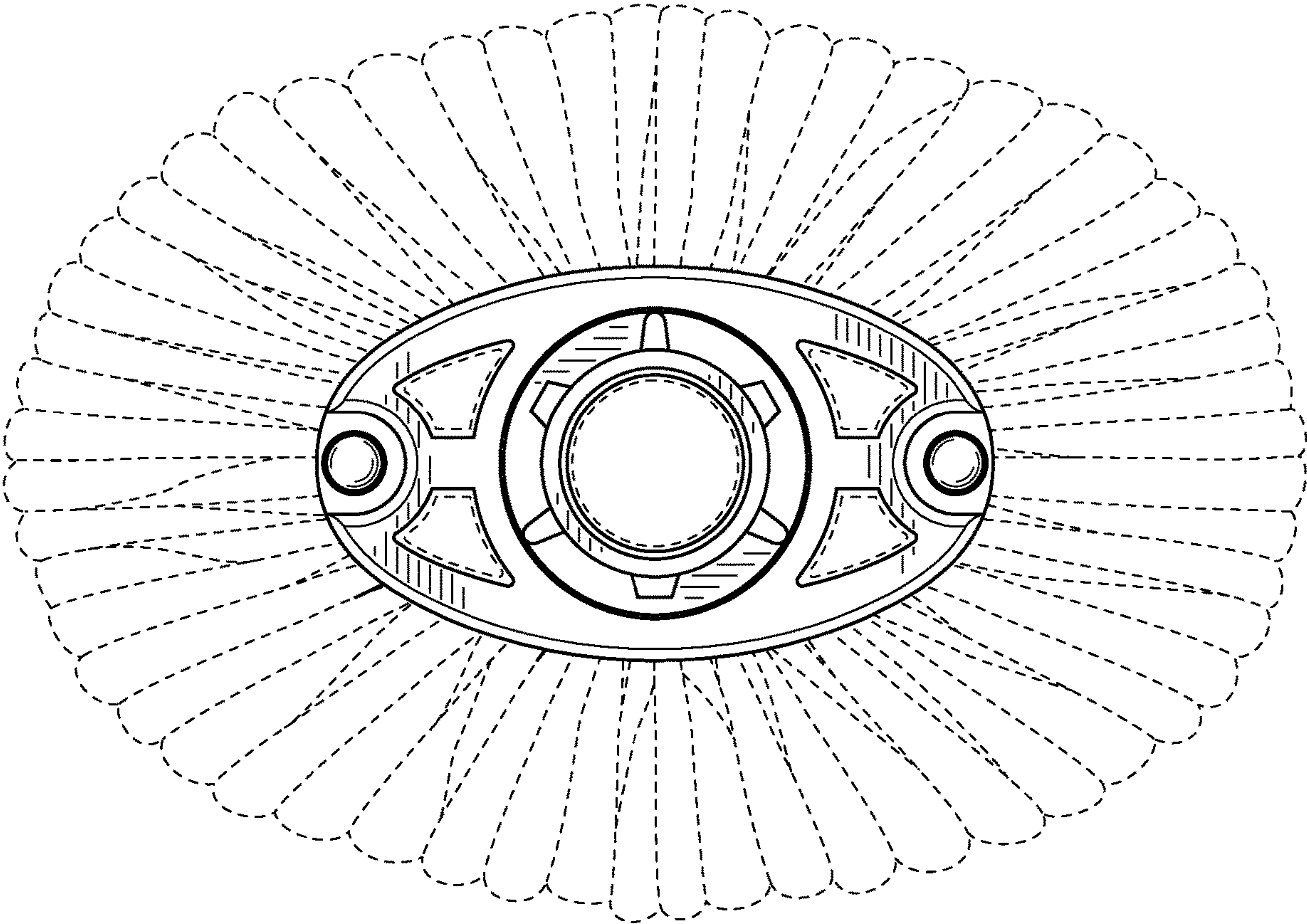


FIG. 6

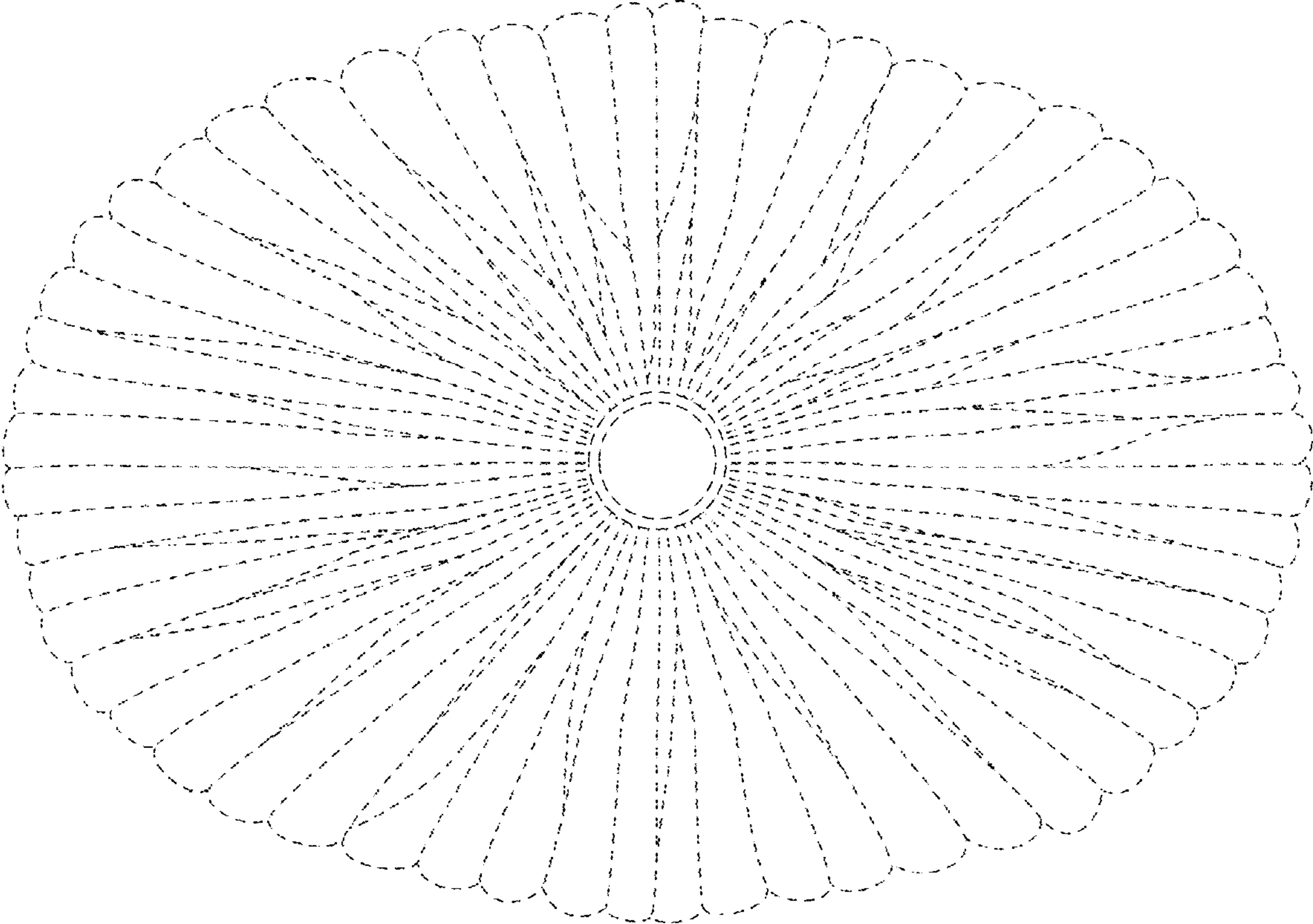


FIG. 7