



US00D871004S

(12) **United States Design Patent** (10) **Patent No.:** **US D871,004 S**
Wheeler (45) **Date of Patent:** **** Dec. 24, 2019**

(54) **ABRASIVE COVER FOR A CLEANING TOOL**

FOREIGN PATENT DOCUMENTS

(71) Applicant: **Markham Wheeler**, Strafford, MO (US)

CN 304508373 * 2/2018

(72) Inventor: **Markham Wheeler**, Strafford, MO (US)

OTHER PUBLICATIONS

(**) Term: **15 Years**

Midwest Round Head Tungsten Carbide Sander, Hobbylinc website 2019, <https://www.hobbylinc.com/midwest-round-head-tungsten-carbide-sander-hobby-sanding-tool-sandpaper-1172>, site visited Feb. 26, 2019.*

(21) Appl. No.: **29/670,975**

Primary Examiner — Eric L Goodman

(22) Filed: **Nov. 21, 2018**

Assistant Examiner — John R Yeh

Related U.S. Application Data

(74) *Attorney, Agent, or Firm* — Jonathan A. Bay

(63) Continuation-in-part of application No. 29/650,387, filed on Jun. 6, 2018.

(51) **LOC (12) Cl.** **07-05**

(57) **CLAIM**

(52) **U.S. Cl.**
USPC **D32/40**

The ornamental design for an abrasive cover for a cleaning tool, as shown and described.

(58) **Field of Classification Search**
USPC D32/40-43, 46; D8/45, 5, 11; D18/56; D4/103
CPC A47L 13/12; A47L 13/34; A47L 13/10; A47L 1/12; A46B 7/00; A46B 5/00; A61F 13/10; B24B 7/00; B24B 7/18; B24D 15/00; B24D 15/02
See application file for complete search history.

DESCRIPTION

(56) **References Cited**

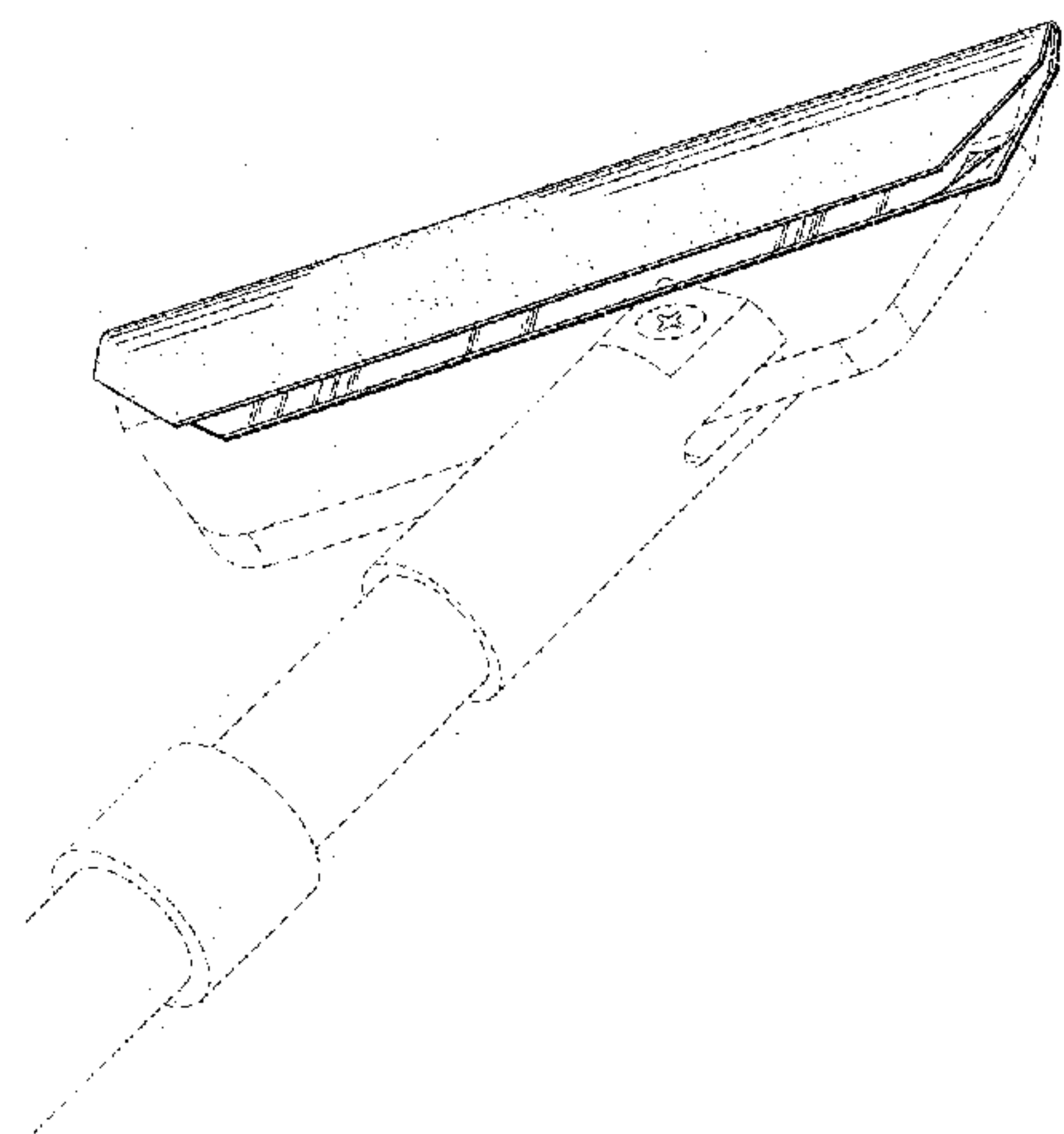
U.S. PATENT DOCUMENTS

718,534 A	1/1903	Shedd	172/372
1,057,947 A	4/1913	Dietz	15/245
1,665,766 A	4/1928	Binger	30/172
1,782,577 A *	11/1930	Maris	B24D 15/04
			451/515
1,927,574 A *	9/1933	Parks	B24D 15/023
			15/231
2,280,186 A	7/1945	Mayer	15/236.05
2,404,105 A *	7/1946	Smith	B24D 15/023
			15/231
2,507,017 A *	5/1950	Jenkins	H02G 1/1285
			451/512

FIG. 1 is a perspective view of a abrasive cover for a cleaning tool showing my new design; FIG. 2 is an enlarged-scale perspective view of detail II-II in FIG. 1; FIG. 3 is a side elevational view of FIG. 2, the opposite side being a mirror opposite; FIG. 4 is an end elevational view thereof, the opposite end being a mirror opposite; FIG. 5 is a top plan view thereof; FIG. 6 is a bottom plan view thereof; and, FIG. 7 is an enlarged-scale perspective view of detail VII-VII in FIG. 4, and showing the backing to the adhesive covering the inner surface in the beginnings of being peeled away. The broken lines in the drawing represent environmental subject matter that forms no part of the claimed design.

(Continued)

1 Claim, 4 Drawing Sheets



(56)

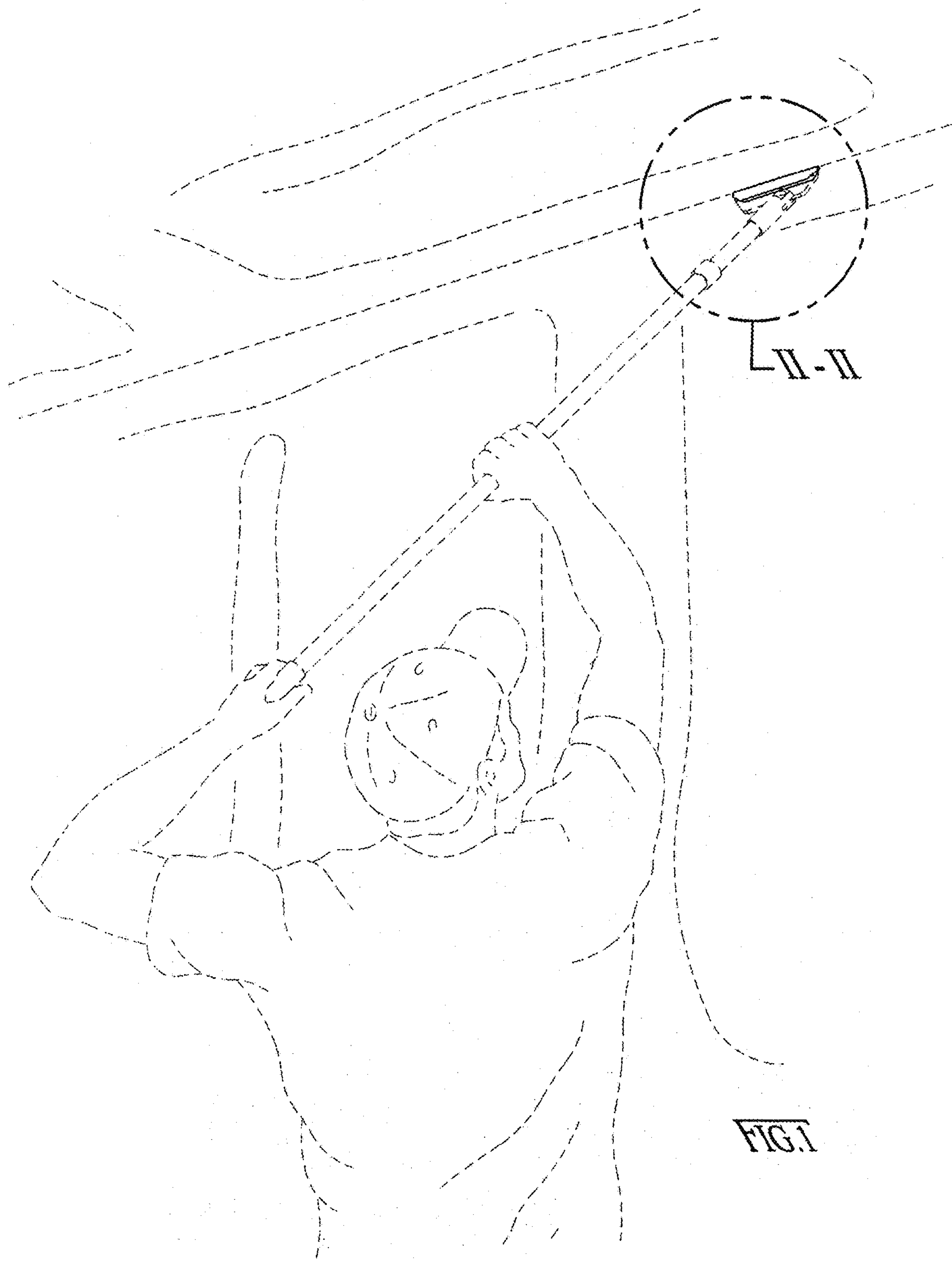
References Cited

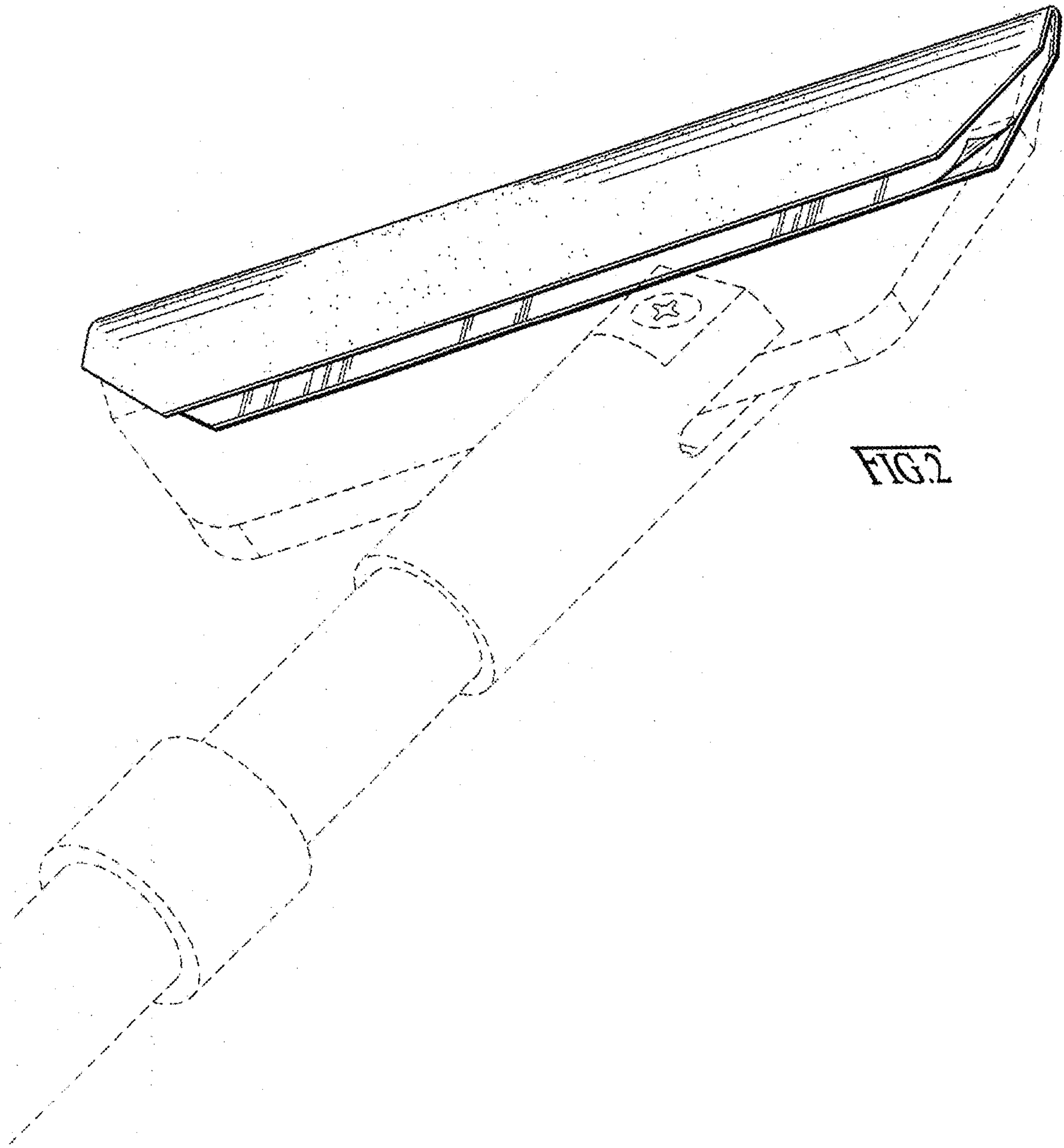
U.S. PATENT DOCUMENTS

2,531,588 A * 11/1950 Stucker B24D 15/023
451/504
2,535,253 A 12/1950 Anderson 30/128
2,616,285 A * 11/1952 Shields E04F 21/1655
15/235.7
2,624,161 A * 1/1953 Snell B24D 15/023
451/512
2,756,499 A 7/1956 Liesunaitis 30/169
2,821,017 A 1/1958 Liesunaitis 30/169
2,889,667 A * 6/1959 Campbell B24D 15/04
451/523
3,206,788 A * 9/1965 Hahn E04F 21/06
15/144.1
4,207,674 A 6/1980 Heronema 30/169
4,538,847 A 9/1985 Lapshansky 294/51
4,619,013 A 10/1986 Yon 15/235.8
4,669,970 A 6/1987 Perry 425/458
4,690,642 A * 9/1987 Kyotani B24D 15/00
433/142
4,817,229 A 4/1989 Sedillo 15/144.1
5,099,539 A 3/1992 Forester 15/143 B
5,165,144 A 11/1992 Nisenbaum 16/111 R
5,261,144 A 11/1993 Mitchell et al. 15/235.4
5,467,497 A 11/1995 Greene et al. 15/235.8
5,829,808 A 11/1998 Colla 294/53.5
6,101,663 A 8/2000 Greer, Jr. et al. 15/236.01
6,260,238 B1 7/2001 MacMillan 16/429
6,295,689 B1 10/2001 Sciacca 15/245.1
D453,672 S * 2/2002 McCoy D8/45
6,494,963 B1 12/2002 Holly 134/6

7,264,541 B1 * 9/2007 Ray B24D 15/023
451/344
7,533,468 B1 5/2009 Hinkle 30/169
7,721,377 B2 5/2010 Jungklaus et al. 15/144.4
7,752,703 B1 7/2010 Silva 15/245.1
D648,911 S * 11/2011 Brown D32/40
8,100,744 B2 * 1/2012 Lamers B24D 15/02
451/354
8,469,775 B2 * 6/2013 Dow B24B 7/184
451/344
8,834,235 B1 * 9/2014 Foster B24D 15/04
451/344
D753,457 S * 4/2016 Hurt D8/45
D790,312 S * 6/2017 Hurt D8/45
D801,776 S * 11/2017 Dhawan D8/107
10,160,098 B2 * 12/2018 Lim B24B 49/00
2002/0096462 A1 * 7/2002 Walters A47L 13/10
451/28
2004/0043715 A1 * 3/2004 Miles B24B 7/182
451/526
2007/0184765 A1 * 8/2007 Annis A47L 13/24
451/557
2007/0232204 A1 * 10/2007 Takeichi B24B 9/14
451/56
2008/0098604 A1 * 5/2008 Levi B24D 15/00
30/155
2011/0146018 A1 * 6/2011 Vasilakes A47L 13/11
15/231
2014/0256237 A1 * 9/2014 Momper B24D 15/023
451/490
2016/0271756 A1 * 9/2016 Petersen B24D 11/02

* cited by examiner





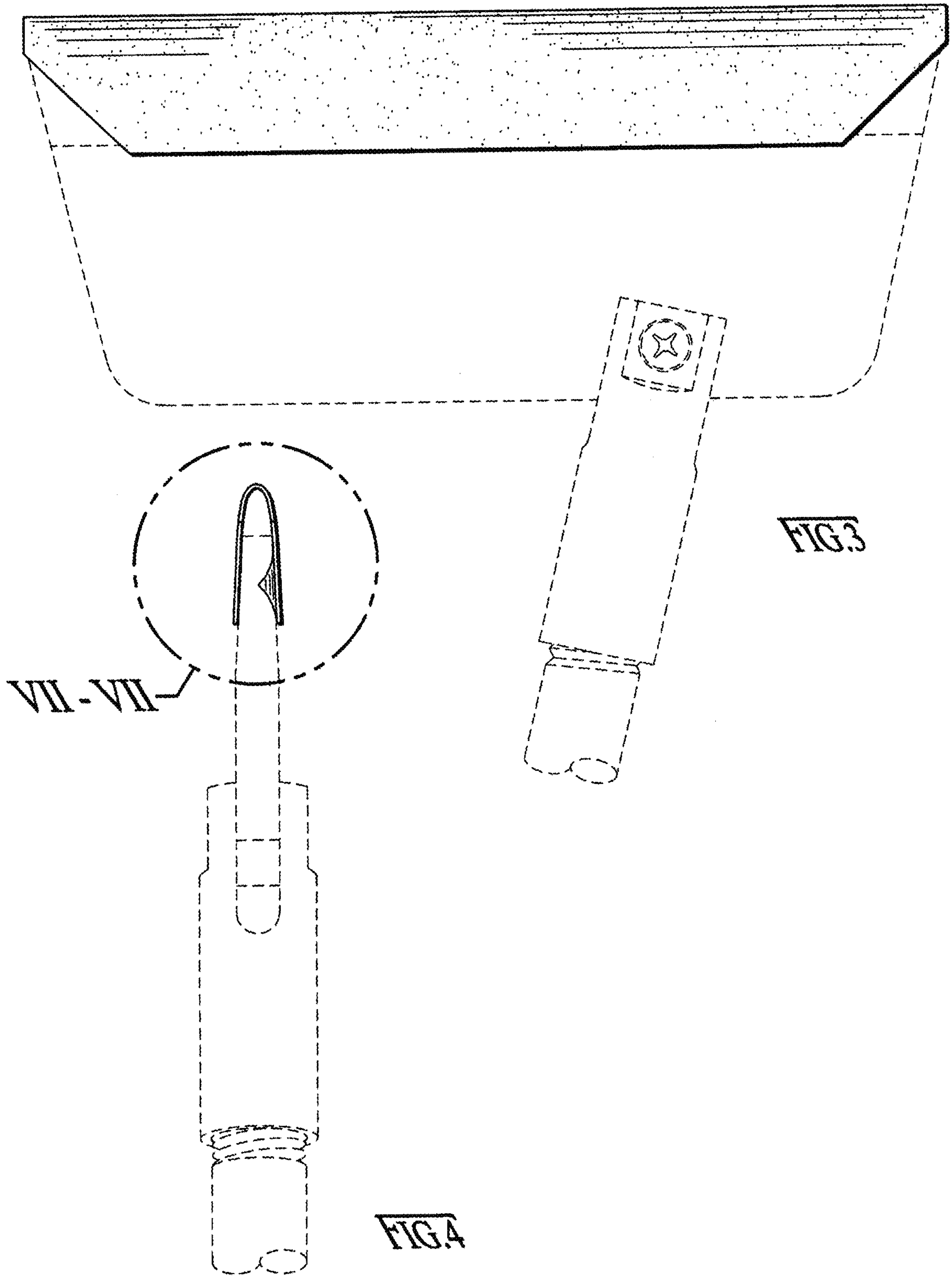


FIG 3

FIG 4

VII - VII



FIG. 5

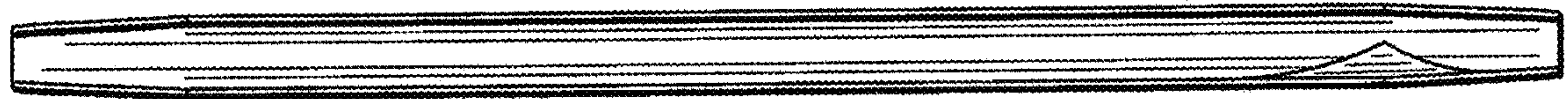


FIG. 6

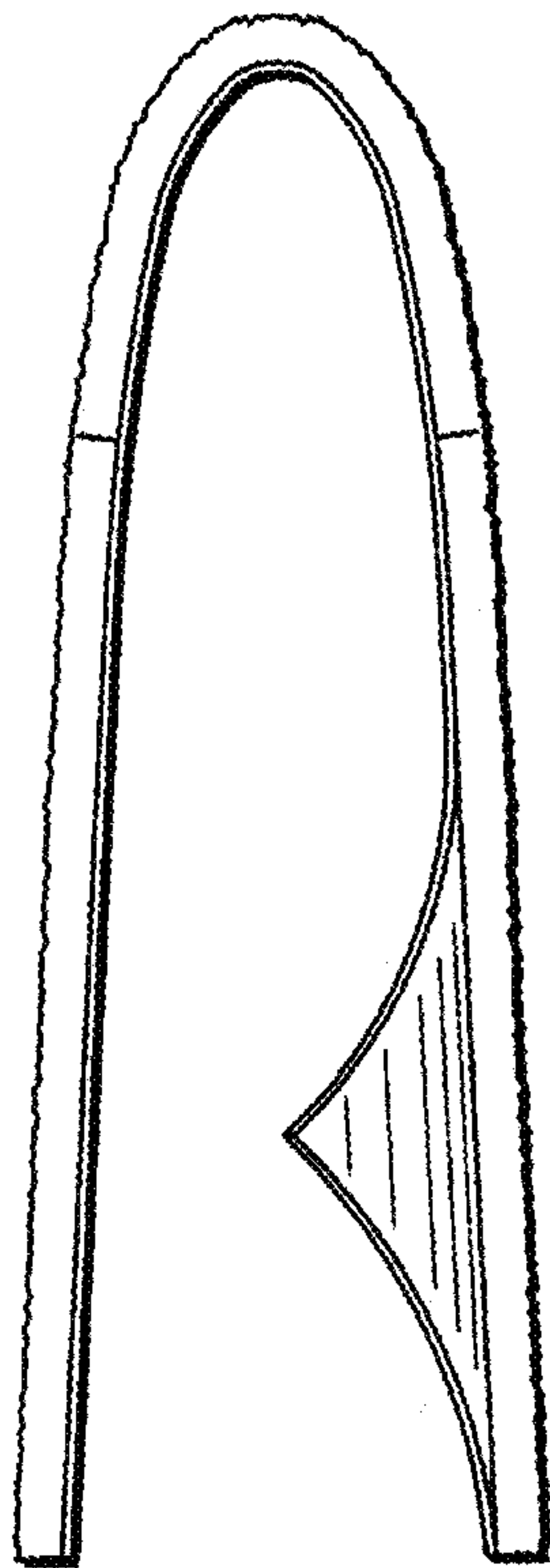


FIG. 7