



US00D871001S

(12) **United States Design Patent**
Shields

(10) **Patent No.:** **US D871,001 S**

(45) **Date of Patent:** **** Dec. 24, 2019**

- (54) **DEVICE FOR AIDING IN GARBAGE DISPOSAL INSTALLATION**
- (71) Applicant: **Donald E. Shields**, Yorktown, VA (US)
- (72) Inventor: **Donald E. Shields**, Yorktown, VA (US)
- (**) Term: **15 Years**
- (21) Appl. No.: **29/594,528**
- (22) Filed: **Feb. 20, 2017**
- (51) **LOC (12) Cl.** **15-05**
- (52) **U.S. Cl.**
USPC **D32/35**
- (58) **Field of Classification Search**
USPC D8/14, 21, 22, 71, 88, 89; D32/40, 46
CPC B21J 15/50; B25B 13/48; B25B 13/485;
B25B 27/14; B25B 27/20; B25B 9/00;
B25B 27/02; B25B 5/10; B29C 63/42;
B66F 3/42; E03C 1/2665; C02F 1/048;
F04B 53/144; F16B 23/0007
See application file for complete search history.

(56) **References Cited**

U.S. PATENT DOCUMENTS

- 1,397,876 A * 11/1921 Meldal F16B 23/0007
411/427
- 1,745,310 A * 1/1930 Novick F04B 53/144
403/100
- 4,044,696 A * 8/1977 Marincek C02F 1/048
110/238
- 5,177,853 A 1/1993 Herook
- D374,383 S * 10/1996 Malak D8/21
- 5,647,253 A * 7/1997 Pozek B25B 13/485
411/405
- D396,616 S * 8/1998 McCallum D8/22
- 6,142,460 A * 11/2000 Irwin B25B 5/10
269/37

- 6,810,776 B1 * 11/2004 Green B25B 13/48
81/442
- 6,993,816 B2 2/2006 Greenhill
- 7,024,743 B2 * 4/2006 Heaton E03C 1/2665
248/354.3
- 7,140,086 B2 * 11/2006 Heaton E03C 1/2665
29/271
- 7,185,408 B1 3/2007 Keith
- D558,007 S * 12/2007 Cox D8/21
- 7,401,392 B1 * 7/2008 Ramsey B66F 3/42
254/2 B
- 7,685,689 B1 * 3/2010 Del Castello E03C 1/2665
254/133 R
- 7,784,163 B2 * 8/2010 Suarez B21J 15/50
29/235
- 7,921,532 B2 4/2011 Heaton
- 8,079,123 B2 * 12/2011 Lin B25B 27/02
29/255
- 8,333,369 B2 * 12/2012 Kozlik B29C 63/42
124/86
- D777,004 S * 1/2017 Heaton D8/71

(Continued)

Primary Examiner — Michelle E. Wilson

(74) *Attorney, Agent, or Firm* — Peter A. Hurley; Richard L. Miller

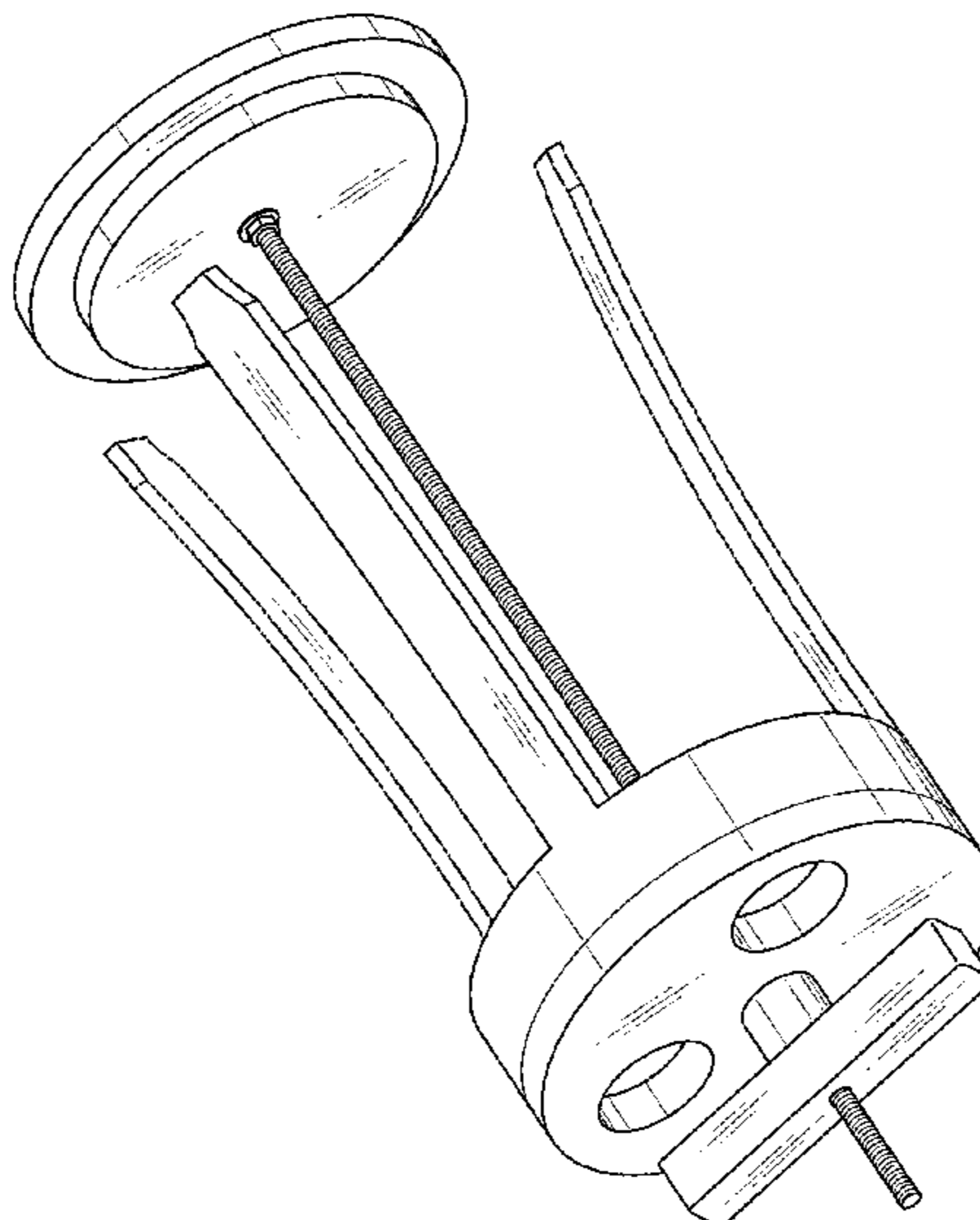
(57) **CLAIM**

The ornamental design for a device for aiding in garbage disposal installation, as shown and described.

DESCRIPTION

FIG. 1 is a perspective view of a device for aiding in garbage disposal installation showing my new design; FIG. 2 is a left side elevational view thereof; FIG. 3 is a right side elevational view thereof; FIG. 4 is a front elevational view thereof; FIG. 5 is a rear elevational view thereof; FIG. 6 is a top plan view thereof; and, FIG. 7 is a bottom plan view thereof .

1 Claim, 6 Drawing Sheets



(56)

References Cited

U.S. PATENT DOCUMENTS

9,550,279	B2 *	1/2017	Dionne	B25B 9/00
10,016,883	B1 *	7/2018	Heaton	B25B 27/20
D839,697	S *	2/2019	Heroux	D8/14
2003/0192162	A1	10/2003	Ramirez	
2011/0154634	A1	6/2011	Heaton	
2018/0178360	A1 *	6/2018	Shields	B25B 27/14

* cited by examiner

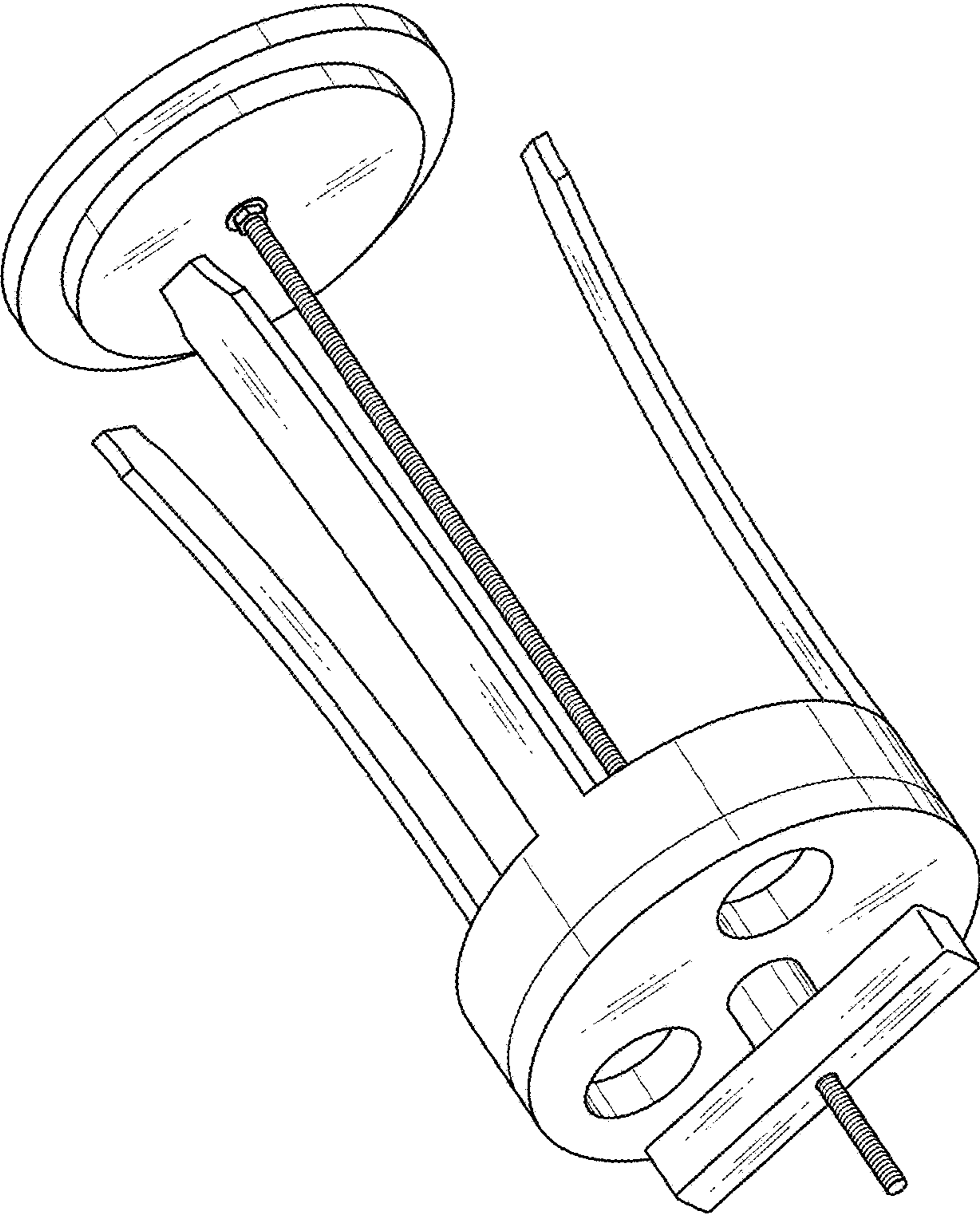


FIG. 1

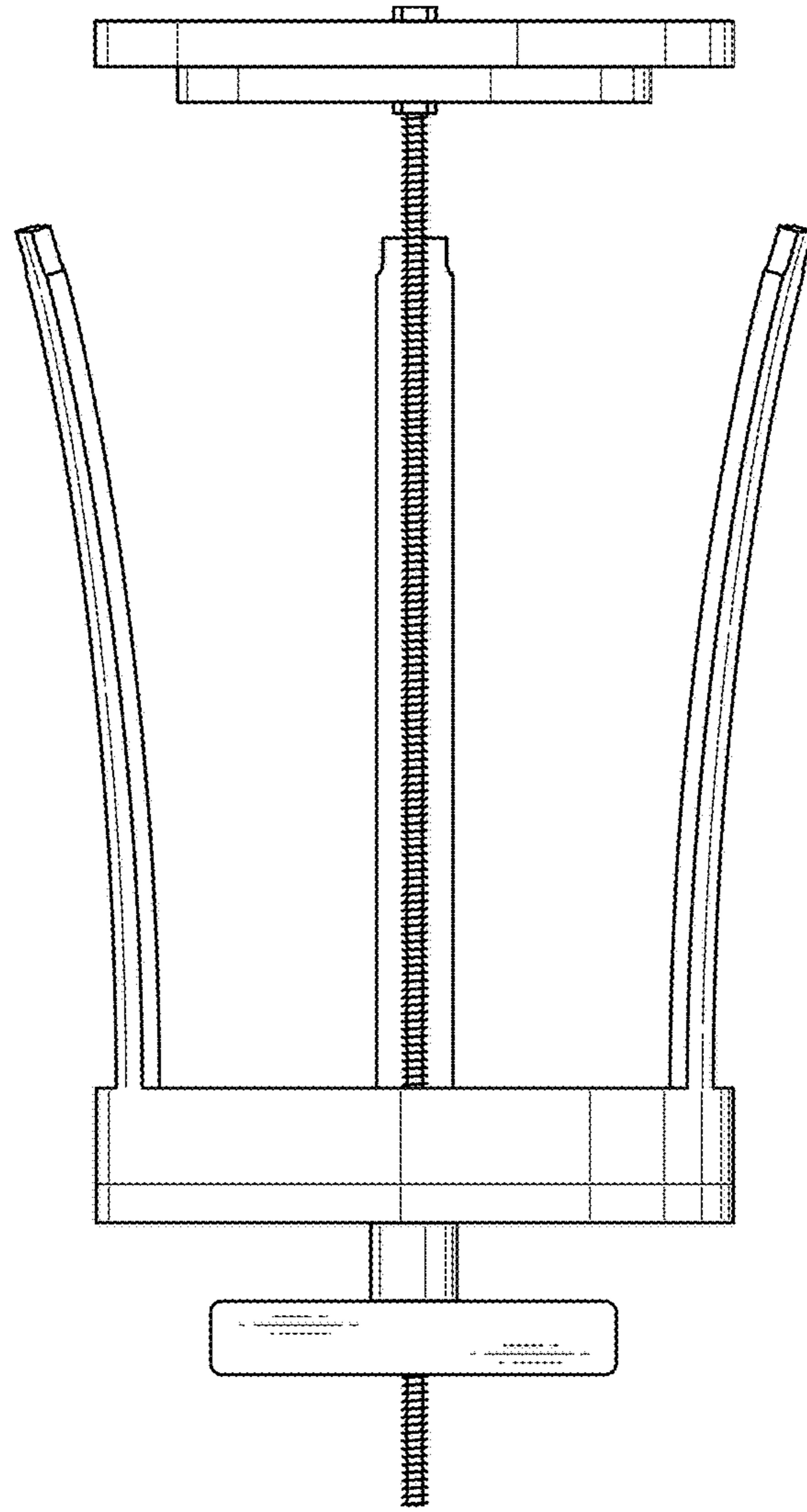


FIG. 2

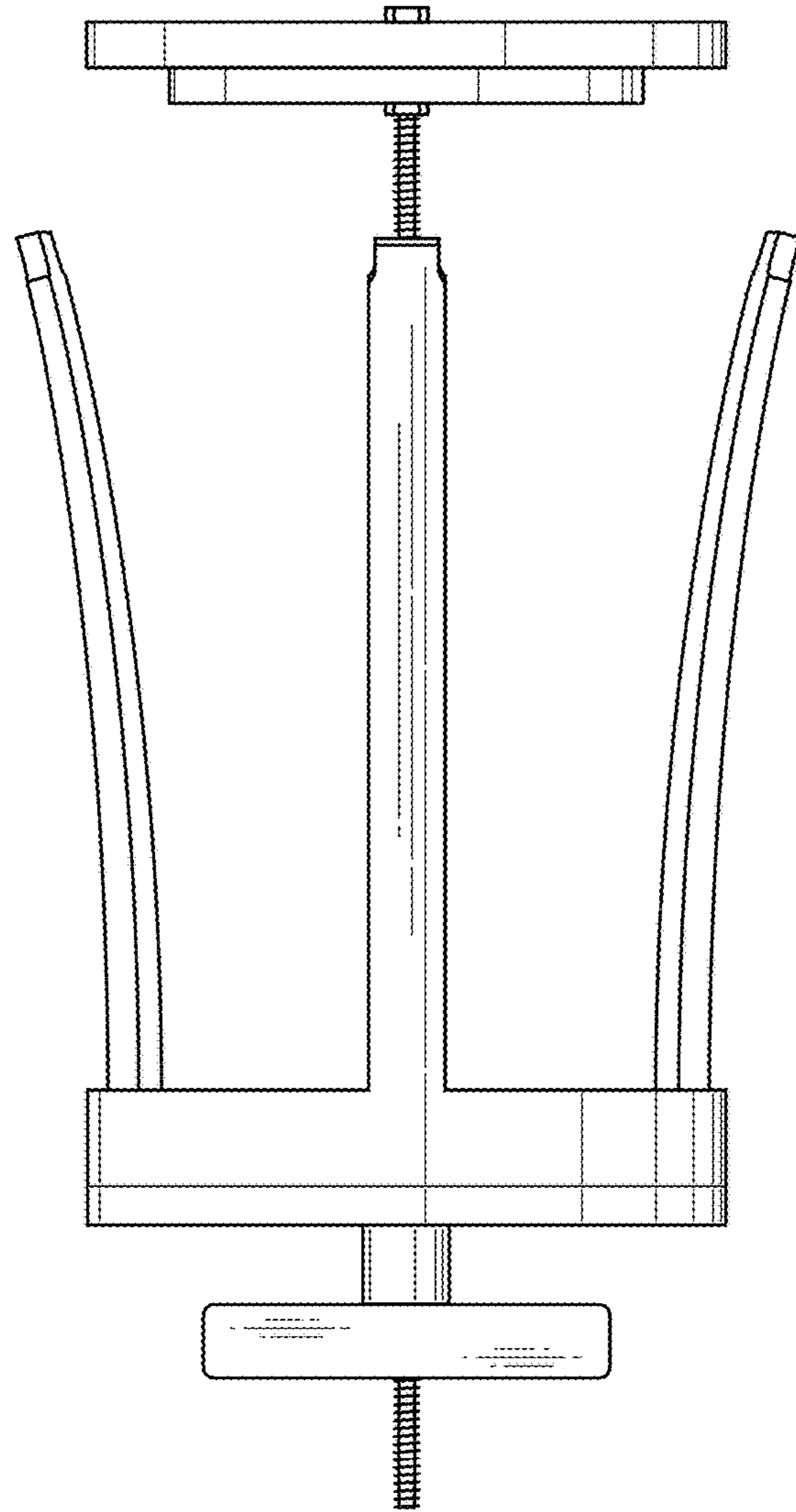


FIG. 3

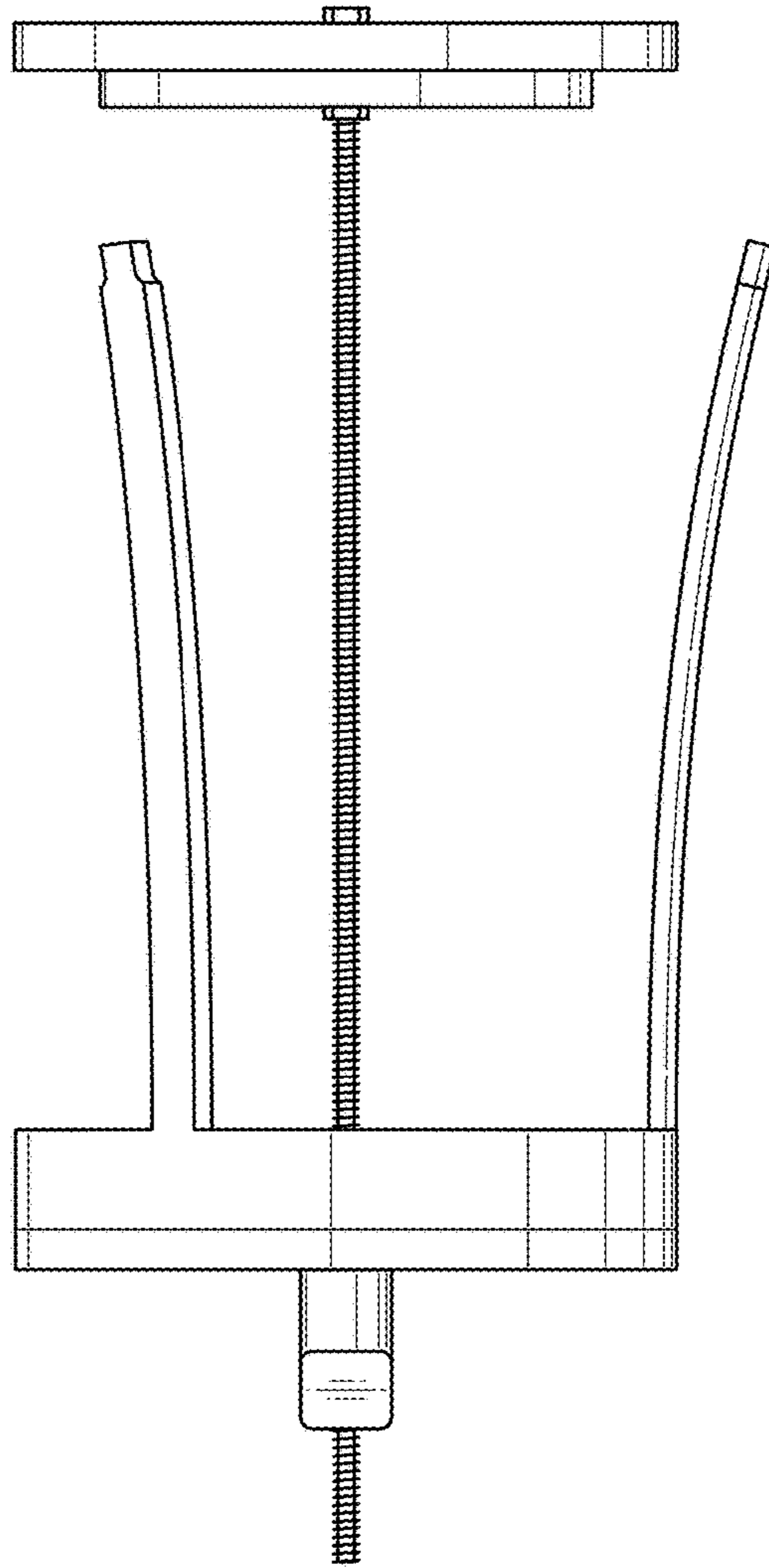


FIG. 4

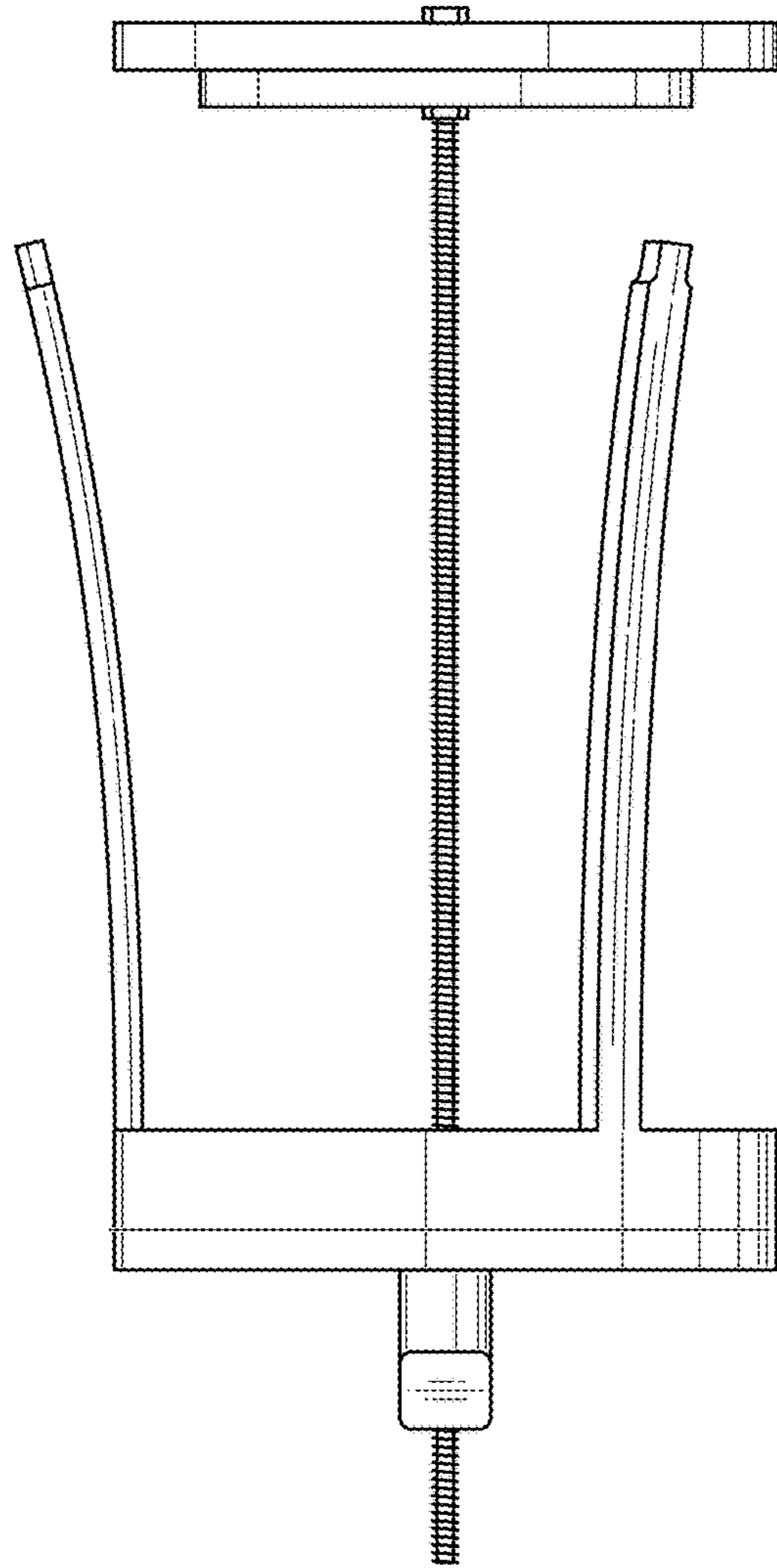


FIG. 5

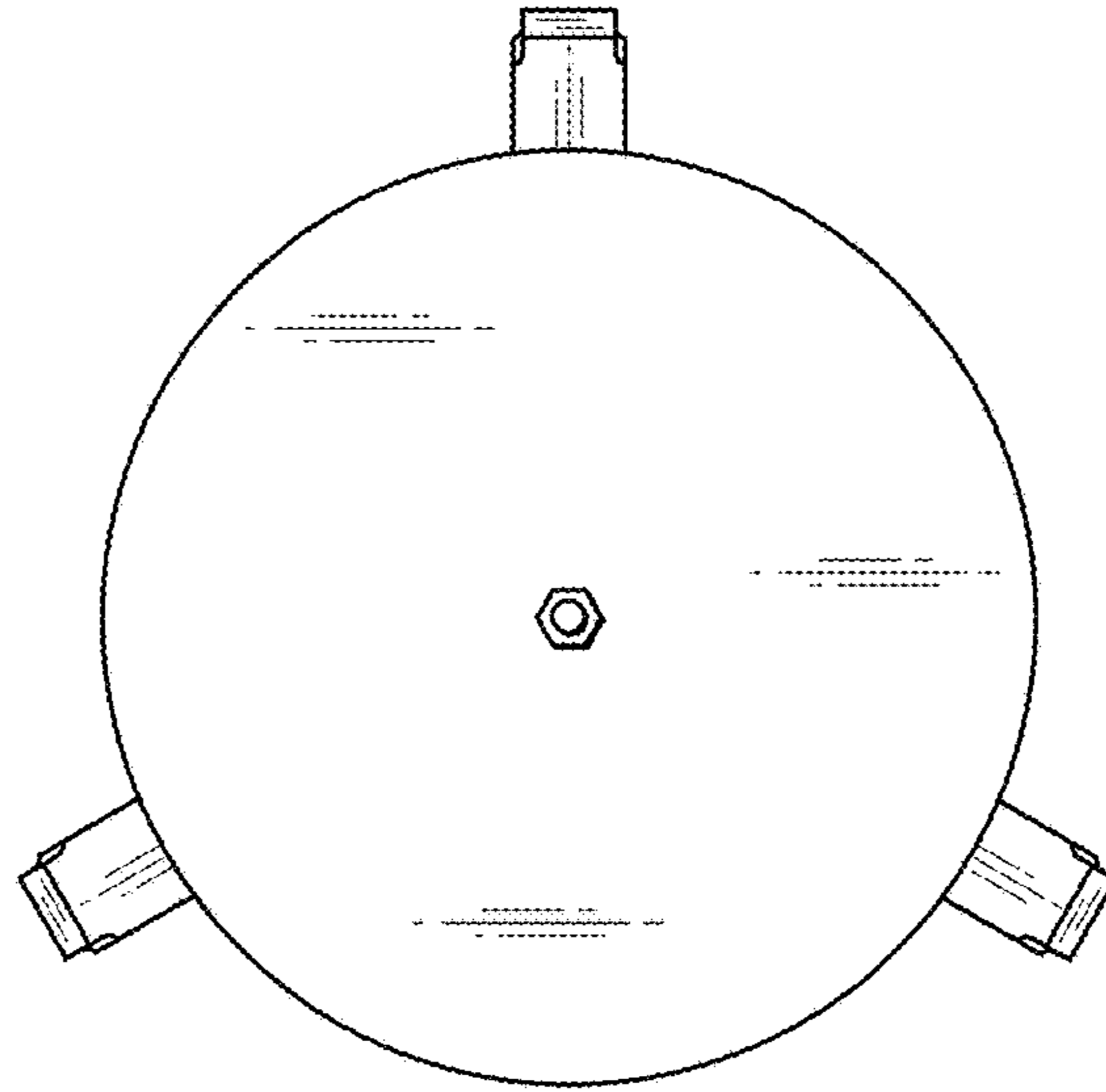


FIG. 6

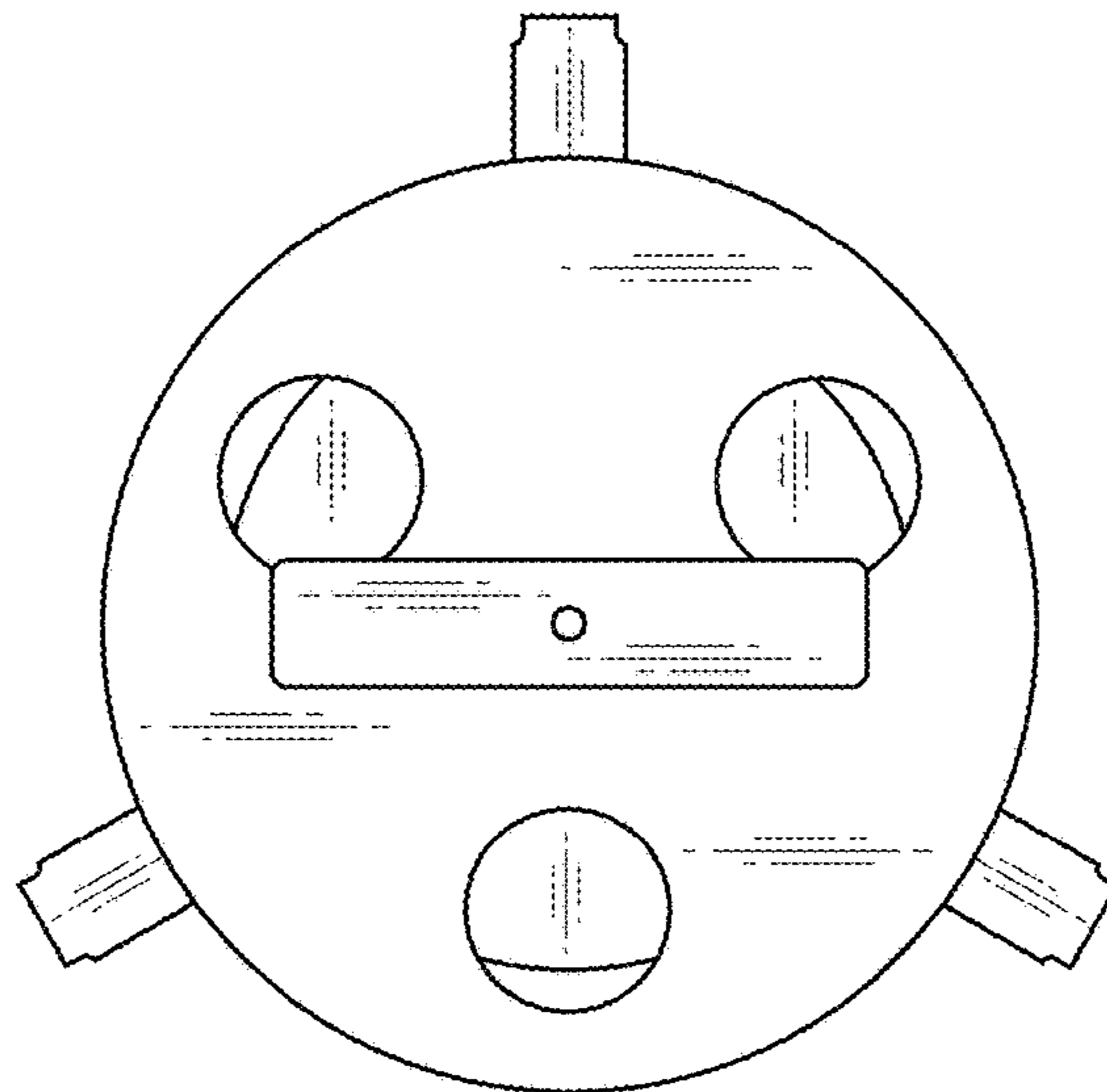


FIG. 7