



US00D870998S

(12) **United States Design Patent**
Bowles et al.

(10) **Patent No.:** **US D870,998 S**

(45) **Date of Patent:** **** Dec. 24, 2019**

(54) **MAGNETIC QUICK CONNECT FOR USE WITH FORCED AIR HEADGEAR**

(71) Applicant: **RainMaker Solutions, Inc.**, El Segundo, CA (US)

(72) Inventors: **Jacob Timm Bowles**, El Segundo, CA (US); **Robert Gregory Stahl**, Culver City, CA (US); **Eduard Albert Jaeger**, El Segundo, CA (US)

(73) Assignee: **RainMaker Solutions, Inc.**, El Segundo, CA (US)

(**) Term: **15 Years**

(21) Appl. No.: **29/625,738**

(22) Filed: **Nov. 13, 2017**

(51) **LOC (12) Cl.** **15-05**

(52) **U.S. Cl.**
USPC **D32/31**

(58) **Field of Classification Search**
USPC D24/110, 110.3-110.6; D29/122, 103; 128/201.23; 285/9.1

CPC A62B 18/086; A62B 18/04; A62B 18/08; A62B 18/10; A42B 3/0406; A42B 3/283; A42B 3/286; F16L 37/004

See application file for complete search history.

(56) **References Cited**

U.S. PATENT DOCUMENTS

- 5,318,328 A * 6/1994 Dawson D06F 58/04 285/148.2
- 5,927,759 A * 7/1999 Hyslop F16L 25/00 239/289
- D545,426 S * 6/2007 Church D24/110.3

- D590,548 S * 4/2009 Johnson D29/122
- 7,571,615 B1 * 8/2009 Bikes A42B 3/285 62/259.3
- 7,814,903 B2 * 10/2010 Osborne B64D 10/00 128/200.24
- D668,758 S * 10/2012 Hall D24/110.2
- 8,936,022 B2 * 1/2015 Walker A62B 17/04 128/201.23
- D731,123 S * 6/2015 Spear D29/122
- D746,439 S * 12/2015 Steindorf D24/110.6
- 9,492,691 B2 * 11/2016 Rosert A62B 18/10
- 9,999,546 B2 * 6/2018 Gardner A61F 9/068
- 10,137,320 B2 * 11/2018 Walker A62B 17/04

* cited by examiner

Primary Examiner — Ruth McInroy

(74) *Attorney, Agent, or Firm* — Hackler Daghighian Martino & Novak

(57) **CLAIM**

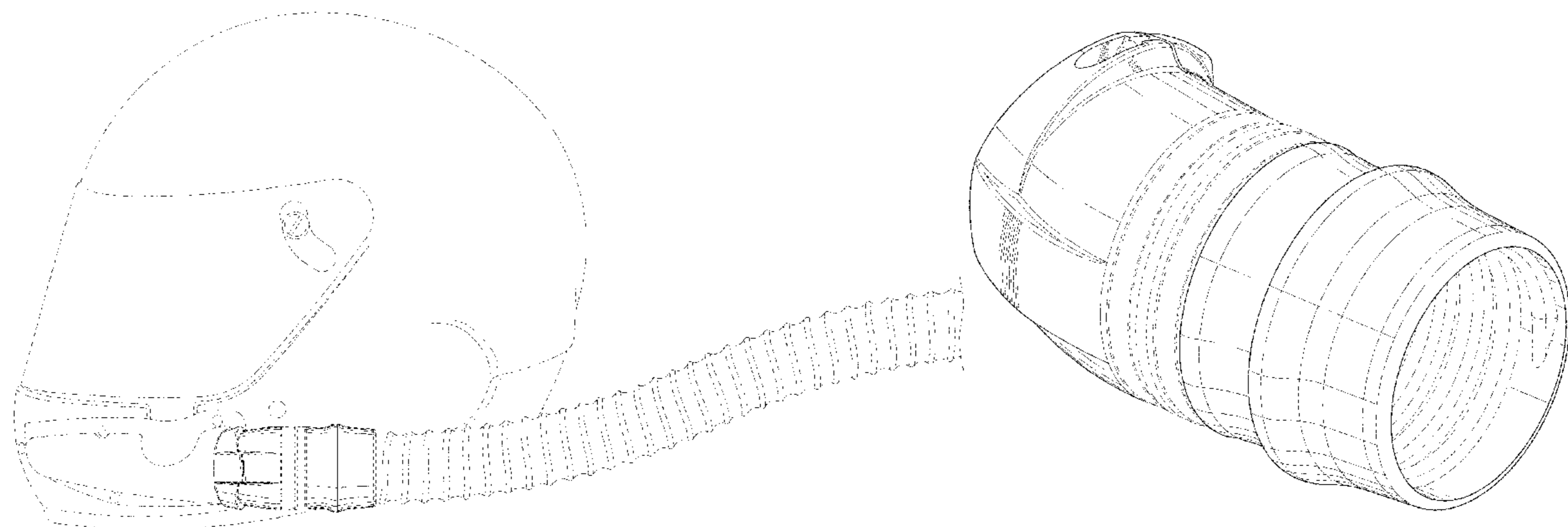
We claim the ornamental design for a magnetic quick connect for use with forced air headgear, as shown and described.

DESCRIPTION

FIG. 1 is a front view of a magnetic quick connect for use with forced air headgear showing our new design; FIG. 2 is a front, right-side perspective view thereof; FIG. 3 is a front view thereof; FIG. 4 is a back view thereof; FIG. 5 is top view thereof; FIG. 6 is a bottom view thereof; FIG. 7 is a right-side view thereof; and, FIG. 8 is a left-side view thereof.

The broken lines in FIGS. 1-8 are for illustrative purposes only and form no part of the claimed design.

1 Claim, 5 Drawing Sheets



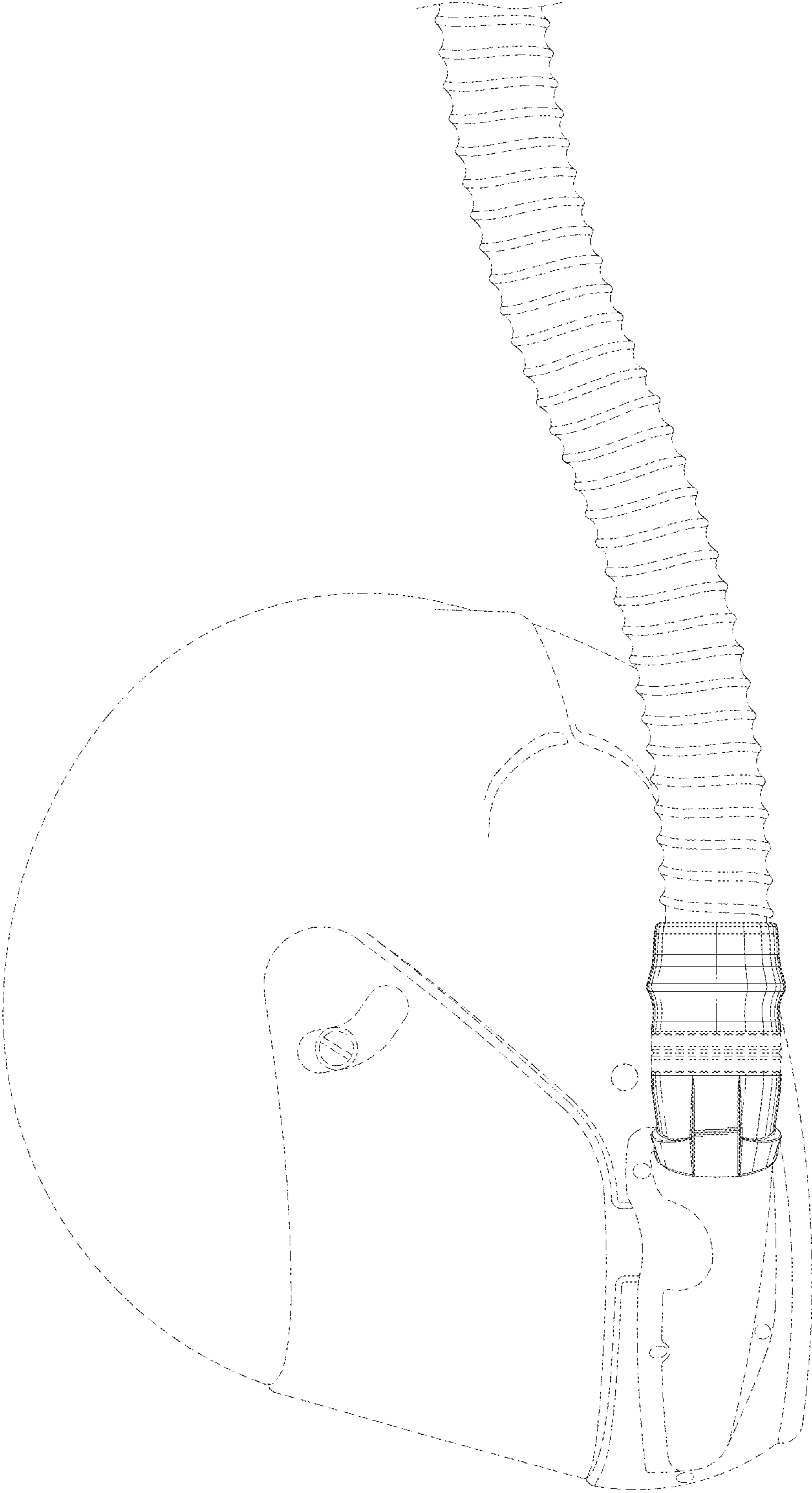


FIG. 1

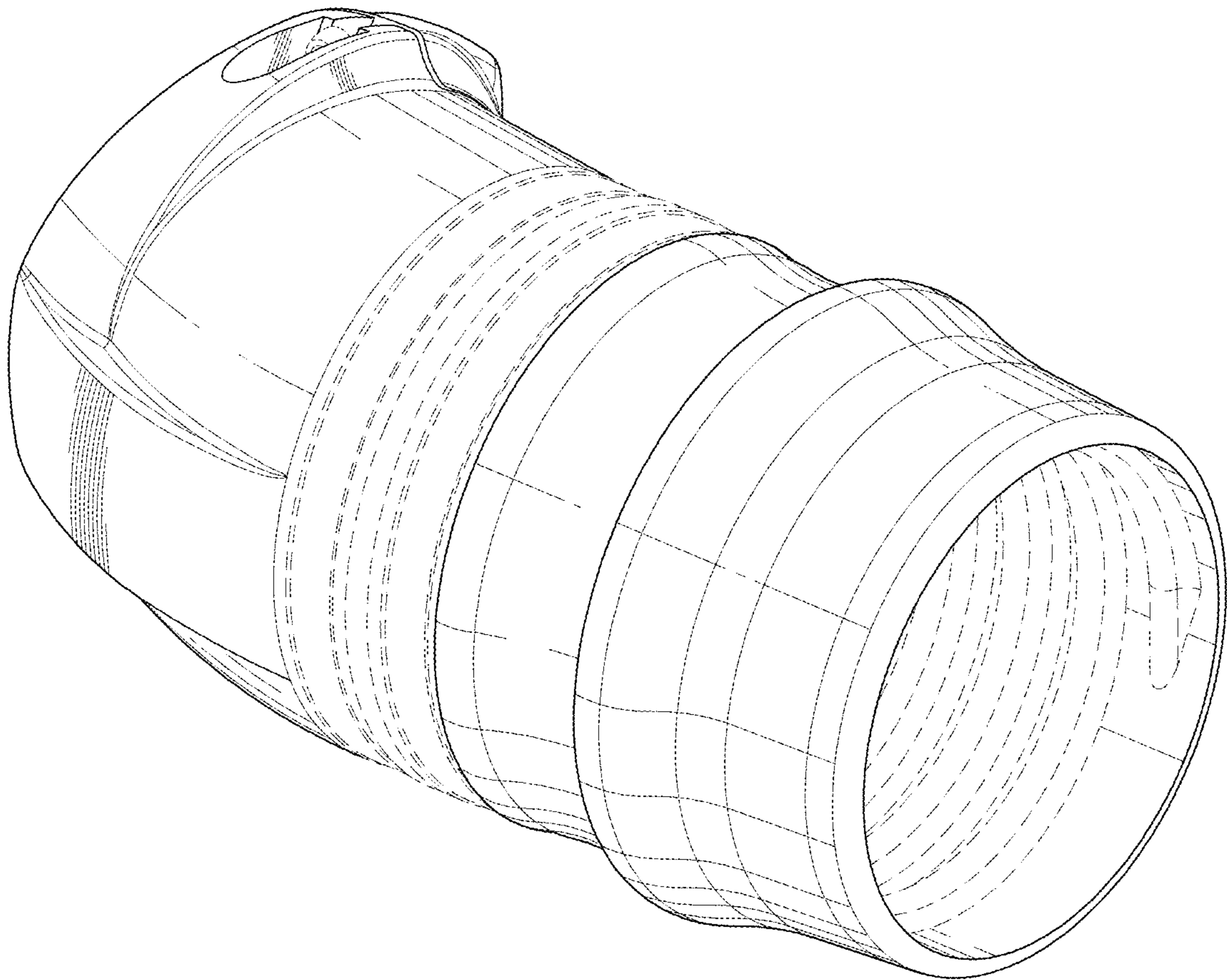


FIG. 2

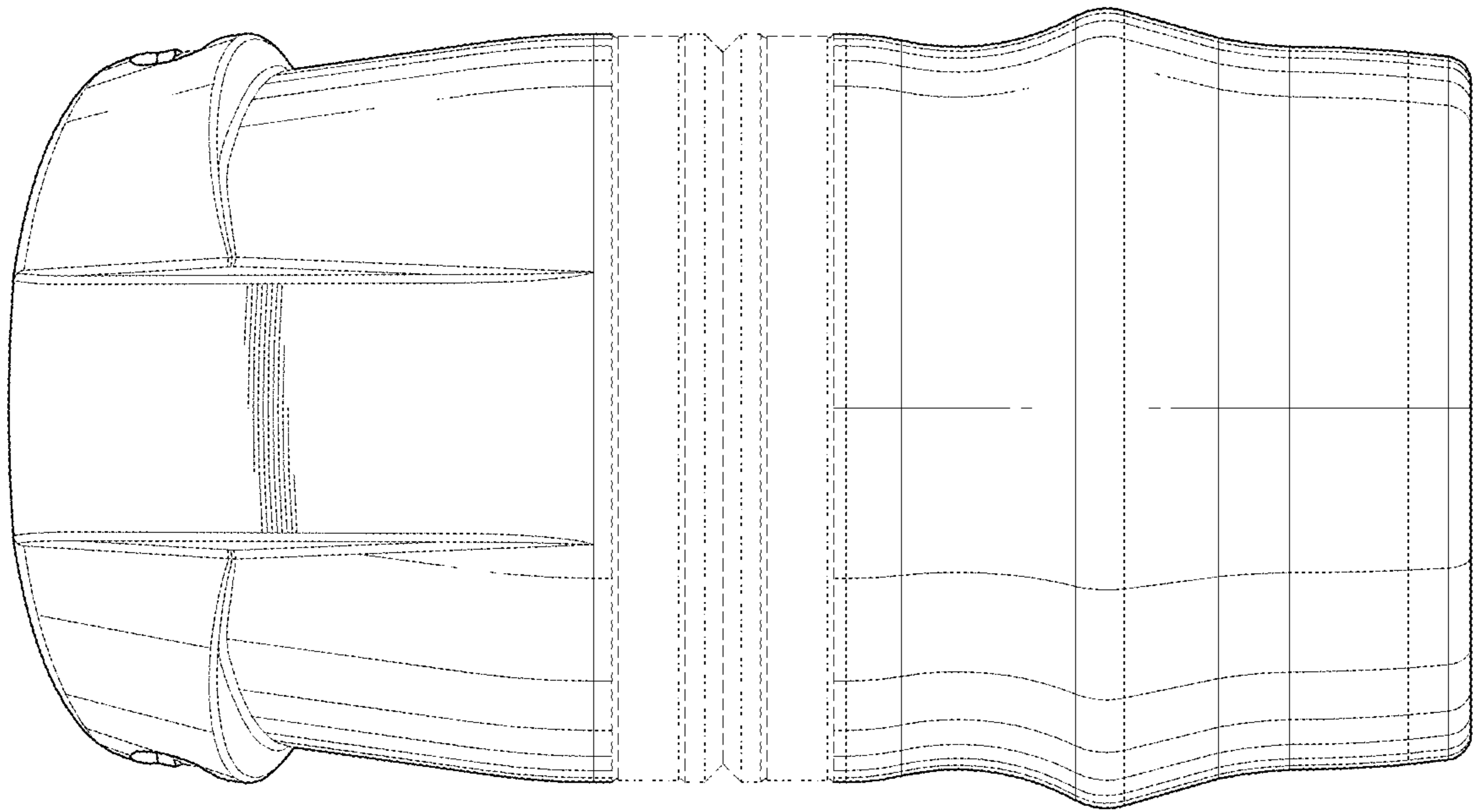


FIG. 3

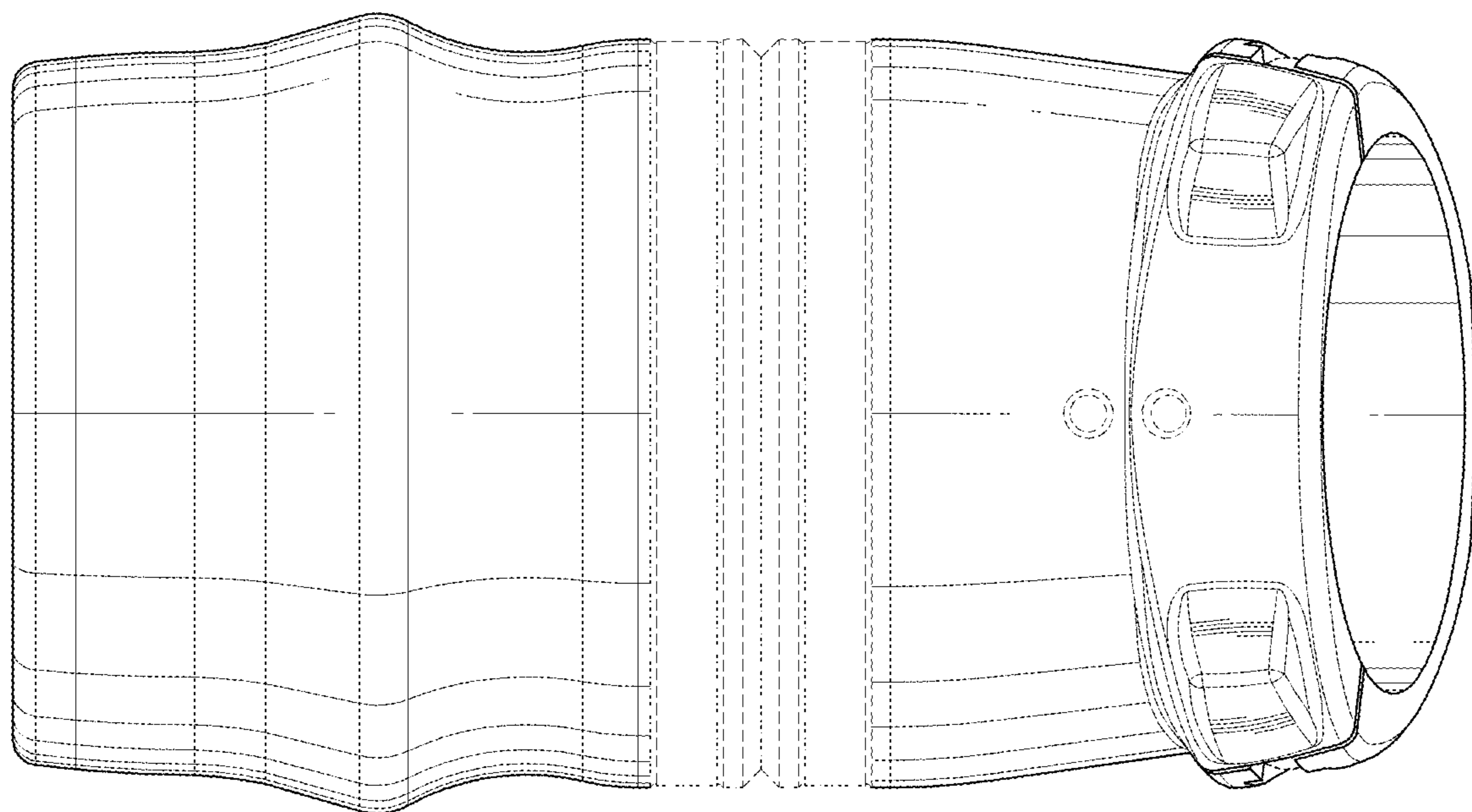


FIG. 4

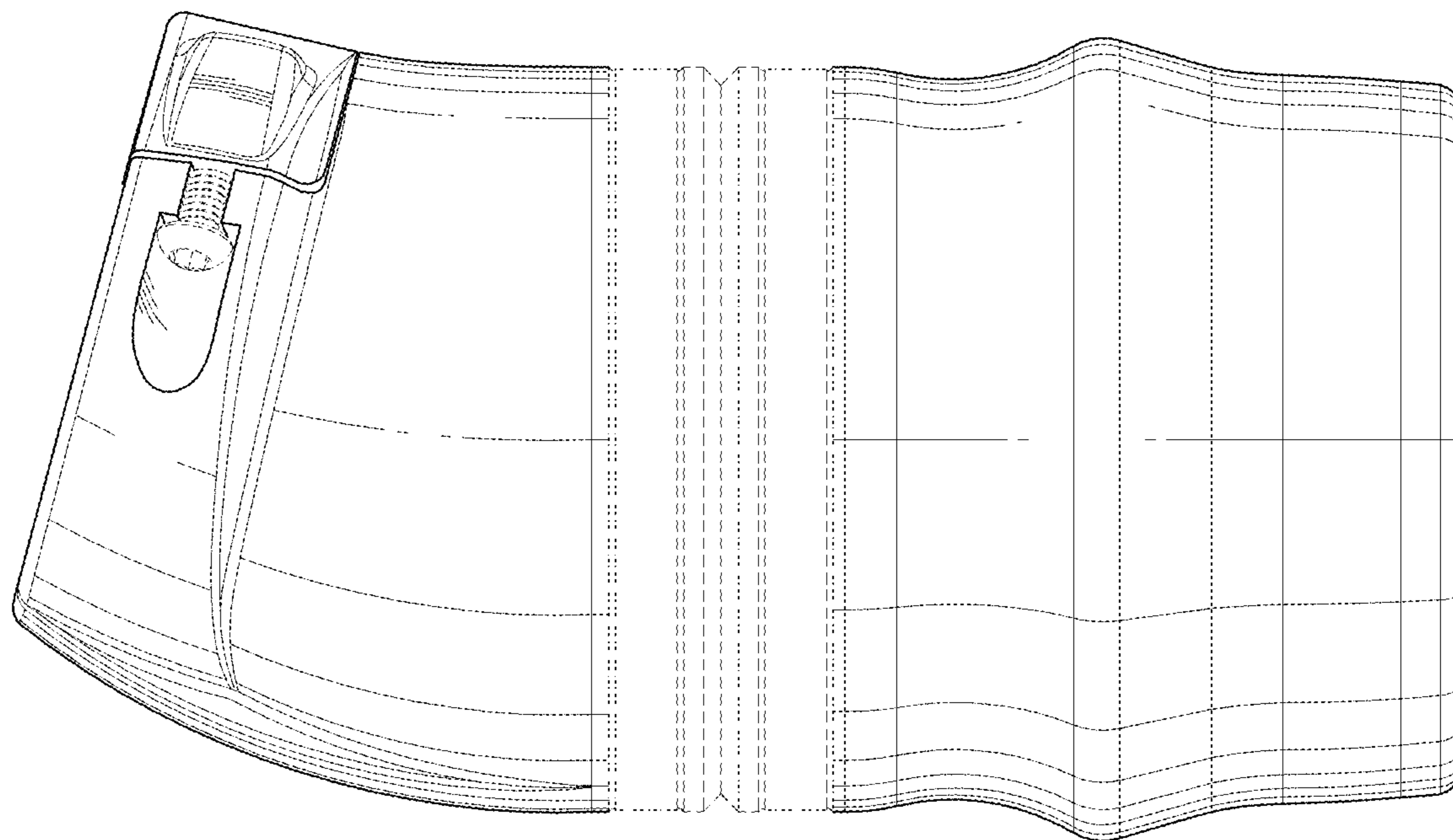


FIG. 5

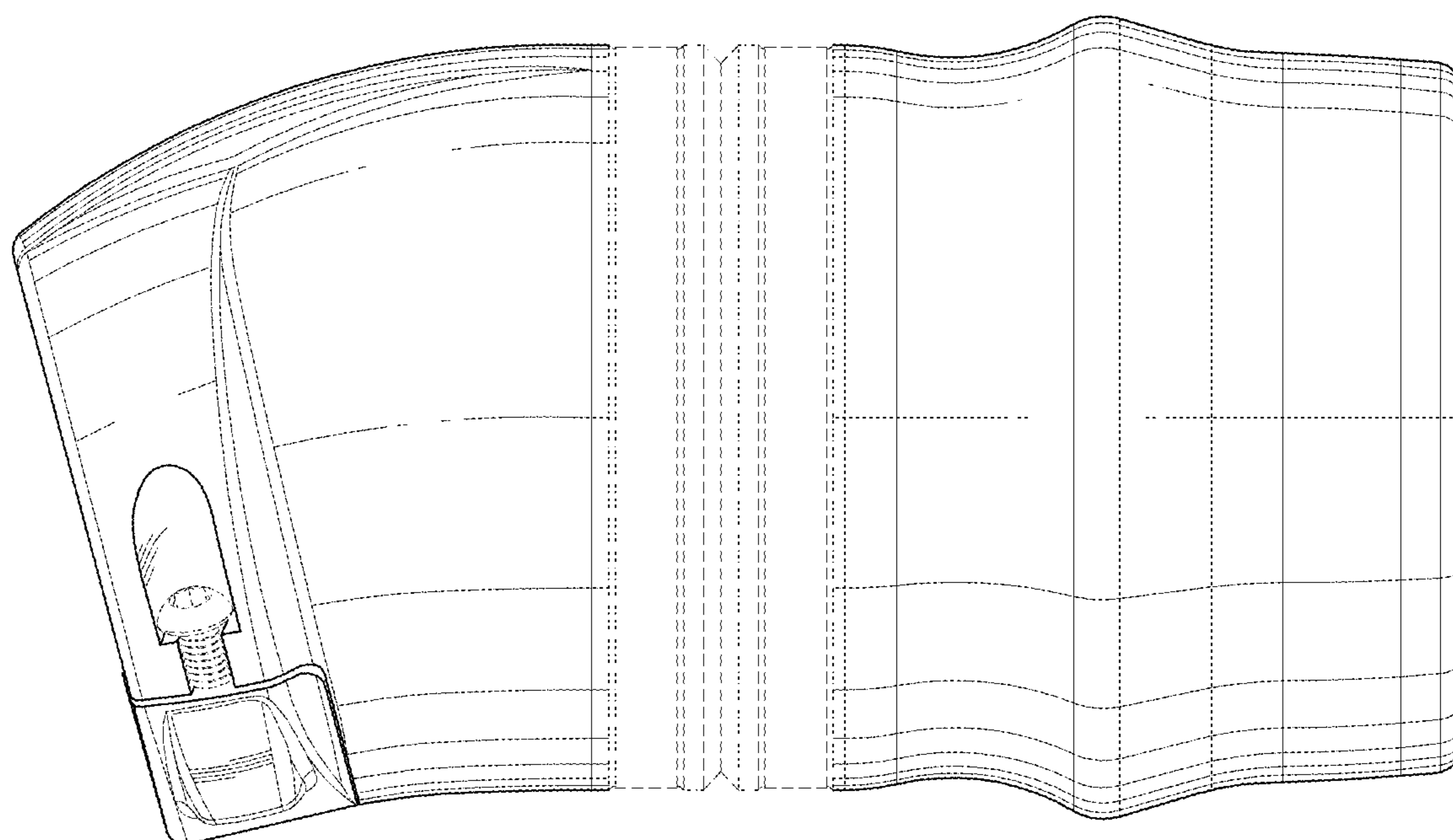


FIG. 6

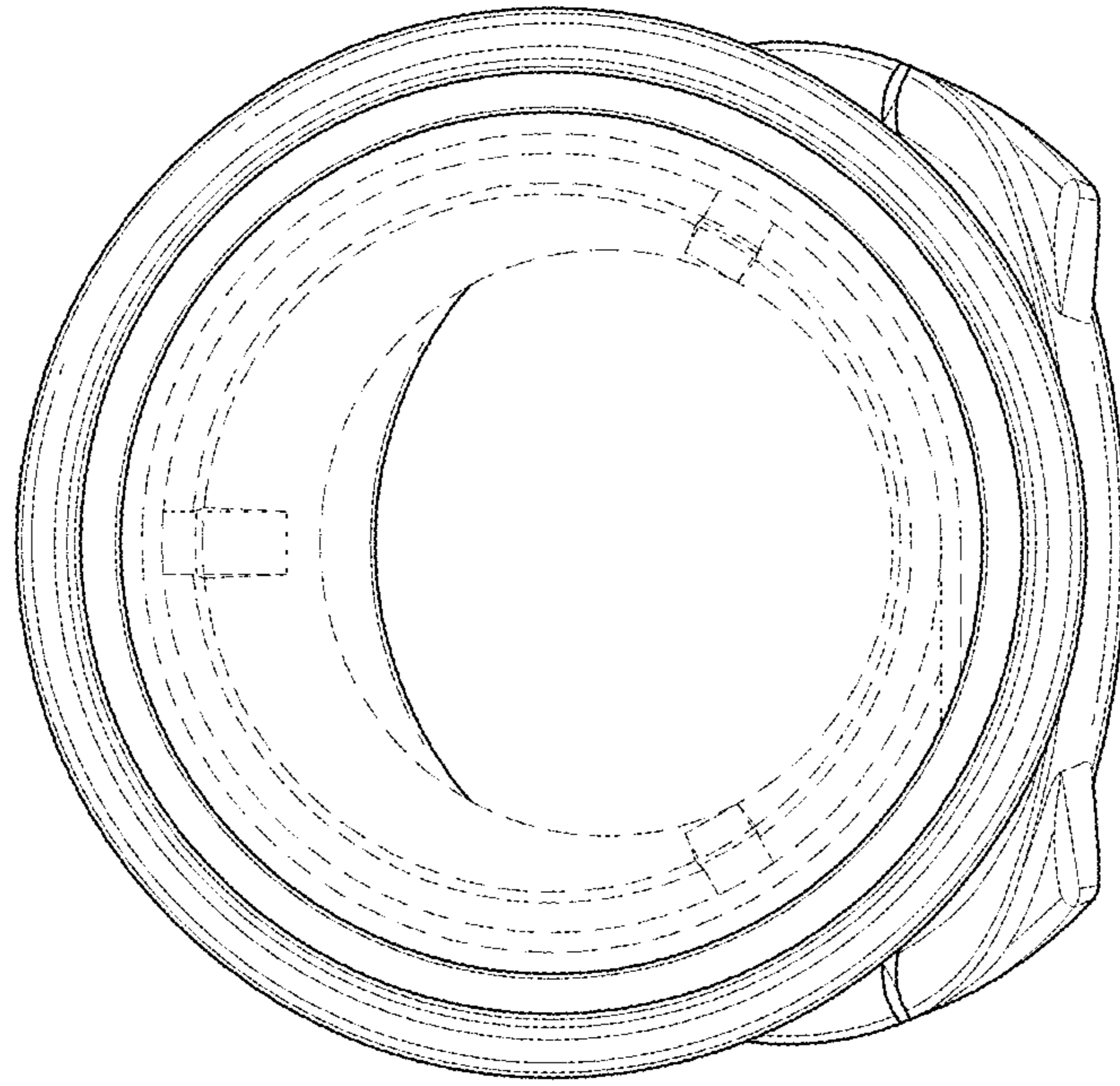


FIG. 7

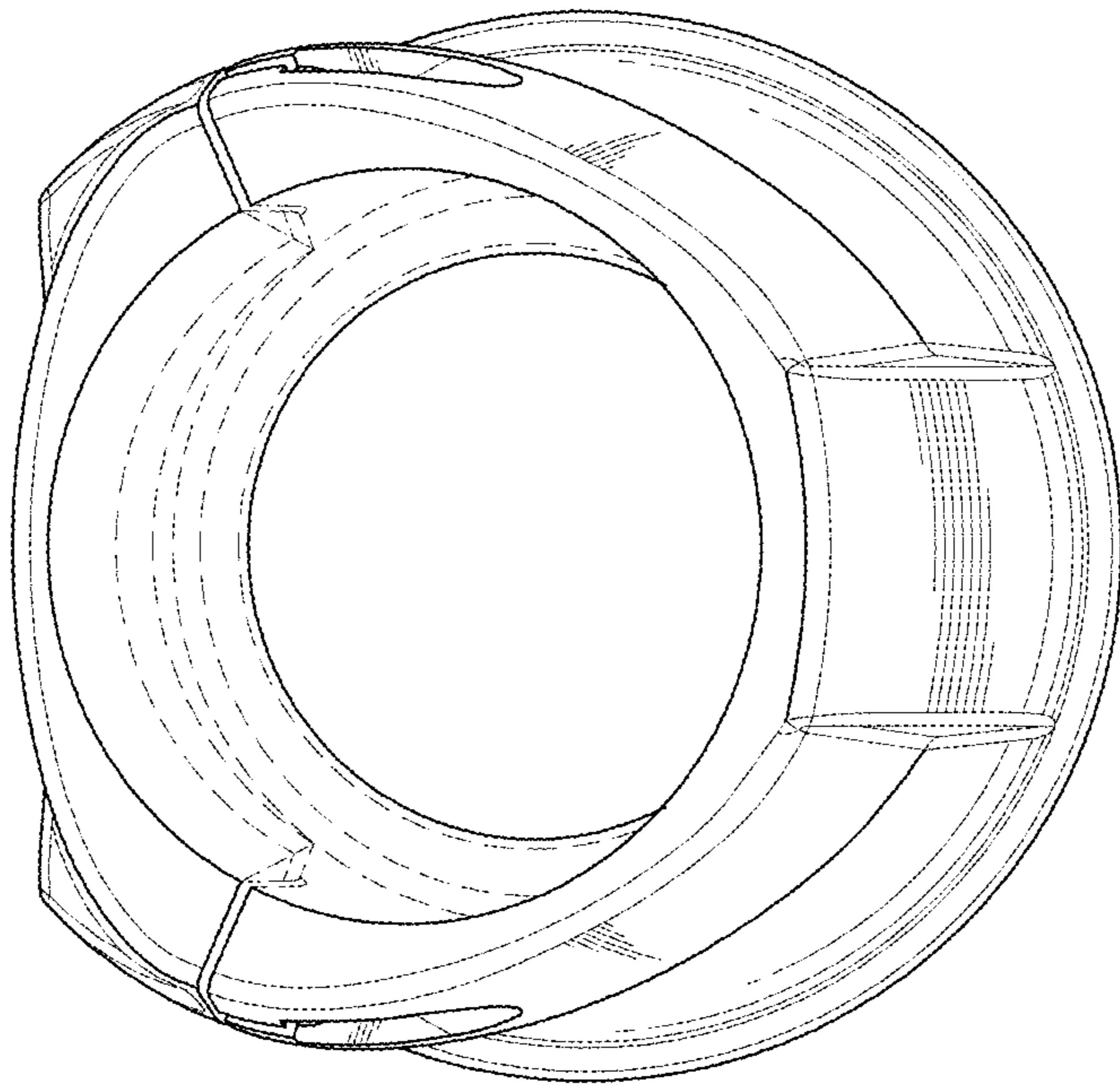


FIG. 8