



US00D870997S

(12) **United States Design Patent** (10) **Patent No.:** **US D870,997 S**
Ayers et al. (45) **Date of Patent:** **** Dec. 24, 2019**

- (54) **DRYER**
- (71) Applicant: **WHIRLPOOL CORPORATION**,
Benton Harbor, MI (US)
- (72) Inventors: **Kevin B. Ayers**, St. Joseph, MI (US);
Abhijeet Bhattacharya, Lehi, UT
(US); **Seth E. Bixby**, Stevensville, MI
(US); **Andrew Kubasiak**, St. Joseph,
MI (US); **Michael R. Mackay**, St.
Joseph, MI (US); **Dave Miller**, Zeeland,
MI (US)
- (73) Assignee: **Whirlpool Corporation**, Benton
Harbor, MI (US)
- (**) Term: **15 Years**
- (21) Appl. No.: **29/697,787**
- (22) Filed: **Jul. 11, 2019**

- 6,766,596 B1 * 7/2004 Bienick D06F 39/14
34/601
- D575,464 S 8/2008 Rossetto et al.
- D589,215 S 3/2009 Cho et al.
- D618,865 S 6/2010 Cline et al.
- D627,115 S 11/2010 Jeon et al.
- D630,807 S 1/2011 Song et al.
- D631,623 S 1/2011 Chung et al.
- D651,778 S 1/2012 Miller et al.
- D681,892 S 5/2013 Meda et al.
- D699,906 S 2/2014 Choi et al.
- D700,410 S 2/2014 Hwang et al.

(Continued)

Primary Examiner — Brett Miller
Assistant Examiner — Yolanda Robinson
 (74) *Attorney, Agent, or Firm* — Price Heneveld LLP

(57) **CLAIM**

The ornamental design for a dryer, as shown and described.

Related U.S. Application Data

- (60) Continuation of application No. 29/673,793, filed on
Dec. 18, 2018, which is a division of application No.
29/657,457, filed on Jul. 23, 2018, now Pat. No. Des.
841,908, which is a division of application No.
29/539,919, filed on Sep. 18, 2015, now Pat. No. Des.
826,494.
- (51) **LOC (12) Cl.** **15-05**
- (52) **U.S. Cl.**
USPC **D32/28**
- (58) **Field of Classification Search**
USPC D32/1, 5-6, 8, 25, 28, 29
CPC D06F 58/00; D06F 58/02; D06F 58/04;
D06F 58/20; D06F 23/04; G05B 19/042
See application file for complete search history.

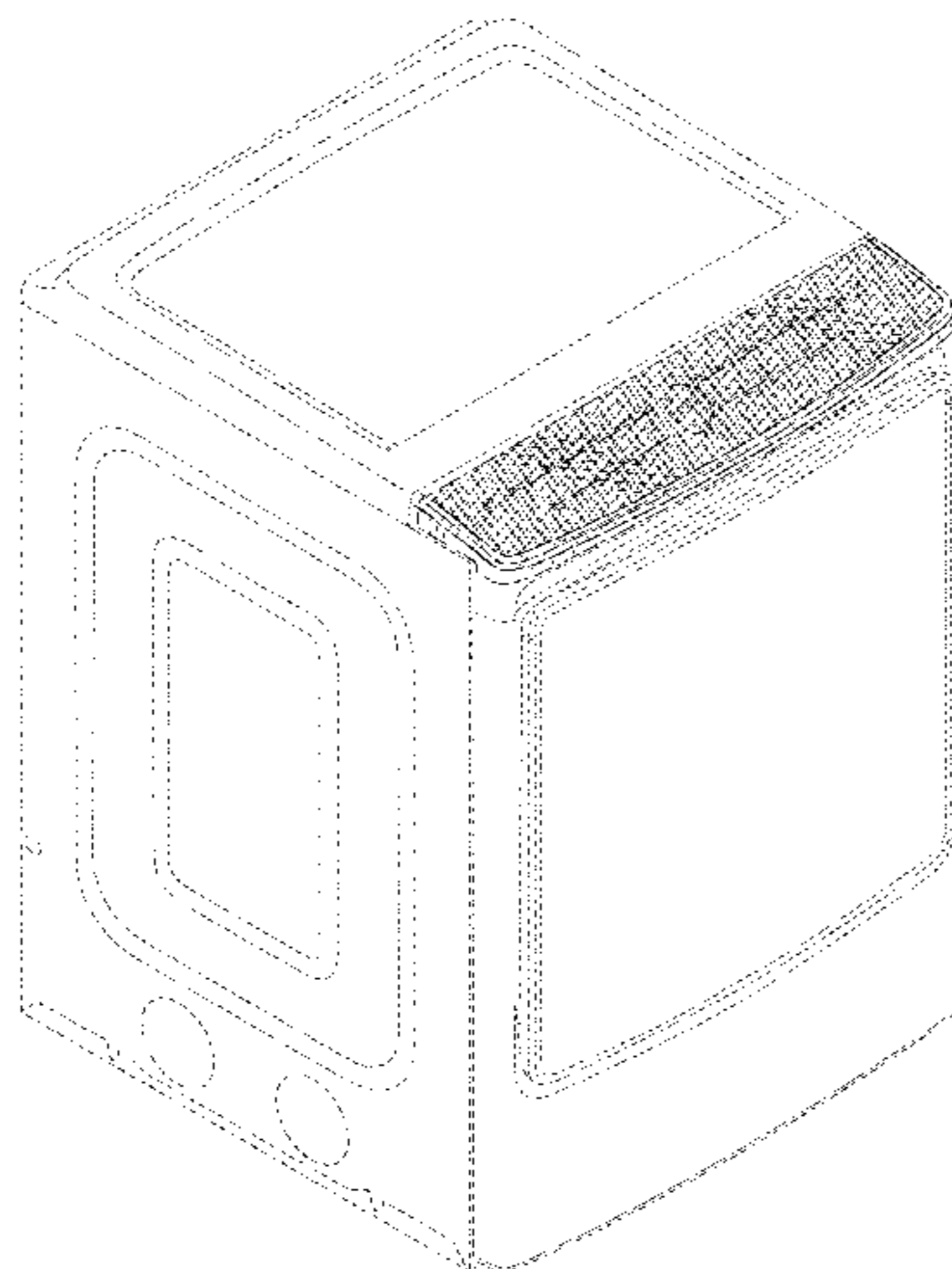
DESCRIPTION

FIG. 1 is a perspective view of a dryer according to our design;
 FIG. 2 is a front elevation view thereof;
 FIG. 3 is a back elevation view thereof;
 FIG. 4 is a left side elevation view thereof;
 FIG. 5 is a right side elevation view thereof;
 FIG. 6 is a top plan view thereof; and,
 FIG. 7 is a bottom plan view thereof.

The broken lines showing portions of the article form no part of the claimed design.
 Dash-dot lines adjacent un-shaded areas represent bounds of the claimed design and form no part thereof.
 Diagonal shading is used to represent transparency.
 The dark stipple fill represents a black or dark grey color having a value of less than 10% and a saturation of less than 10%; the comparatively lighter stipple fill is used to represent a color contrast therewith.

- (56) **References Cited**
U.S. PATENT DOCUMENTS
D285,013 S 8/1986 Nakamura et al.

1 Claim, 7 Drawing Sheets



(56)

References Cited

U.S. PATENT DOCUMENTS

D701,659 S 3/2014 Choi et al.
 D703,887 S 4/2014 Lee et al.
 D708,800 S 7/2014 Choi et al.
 D718,505 S 11/2014 Hyounsub et al.
 D729,467 S * 5/2015 Jee D32/6
 D730,597 S 5/2015 Jeon et al.
 D754,937 S 4/2016 Kim et al.
 D758,030 S 5/2016 Bixby et al.
 D758,032 S 5/2016 Bixby et al.
 D760,968 S 7/2016 Choi et al.
 D772,506 S 11/2016 Bixby et al.
 D772,507 S 11/2016 Bixby et al.
 D776,886 S * 1/2017 Choi D32/8
 D778,010 S 1/2017 Choi et al.
 D783,212 S * 4/2017 Jeon D32/6
 D783,213 S * 4/2017 Jeon D32/6

D795,511 S * 8/2017 Jeon D32/6
 D795,512 S 8/2017 Joo et al.
 D798,005 S 9/2017 Bixby et al.
 D798,511 S 9/2017 Bixby et al.
 D812,325 S 3/2018 Bixby et al.
 D818,218 S * 5/2018 Liu D32/6
 D818,219 S 5/2018 Bixby et al.
 D826,494 S 8/2018 Ayers et al.
 D833,091 S 11/2018 Ayers et al.
 D851,849 S * 6/2019 Yoo D32/25
 2009/0193678 A1 8/2009 Latack et al.
 2011/0296630 A1 * 12/2011 Frazer D06F 39/14
 8/159
 2015/0123523 A1 5/2015 Woo et al.
 2015/0123525 A1 5/2015 Woo et al.
 2015/0191862 A1 7/2015 Kulkarni
 2015/0233038 A1 8/2015 Lee et al.
 2018/0187366 A1 7/2018 Adkins et al.

* cited by examiner

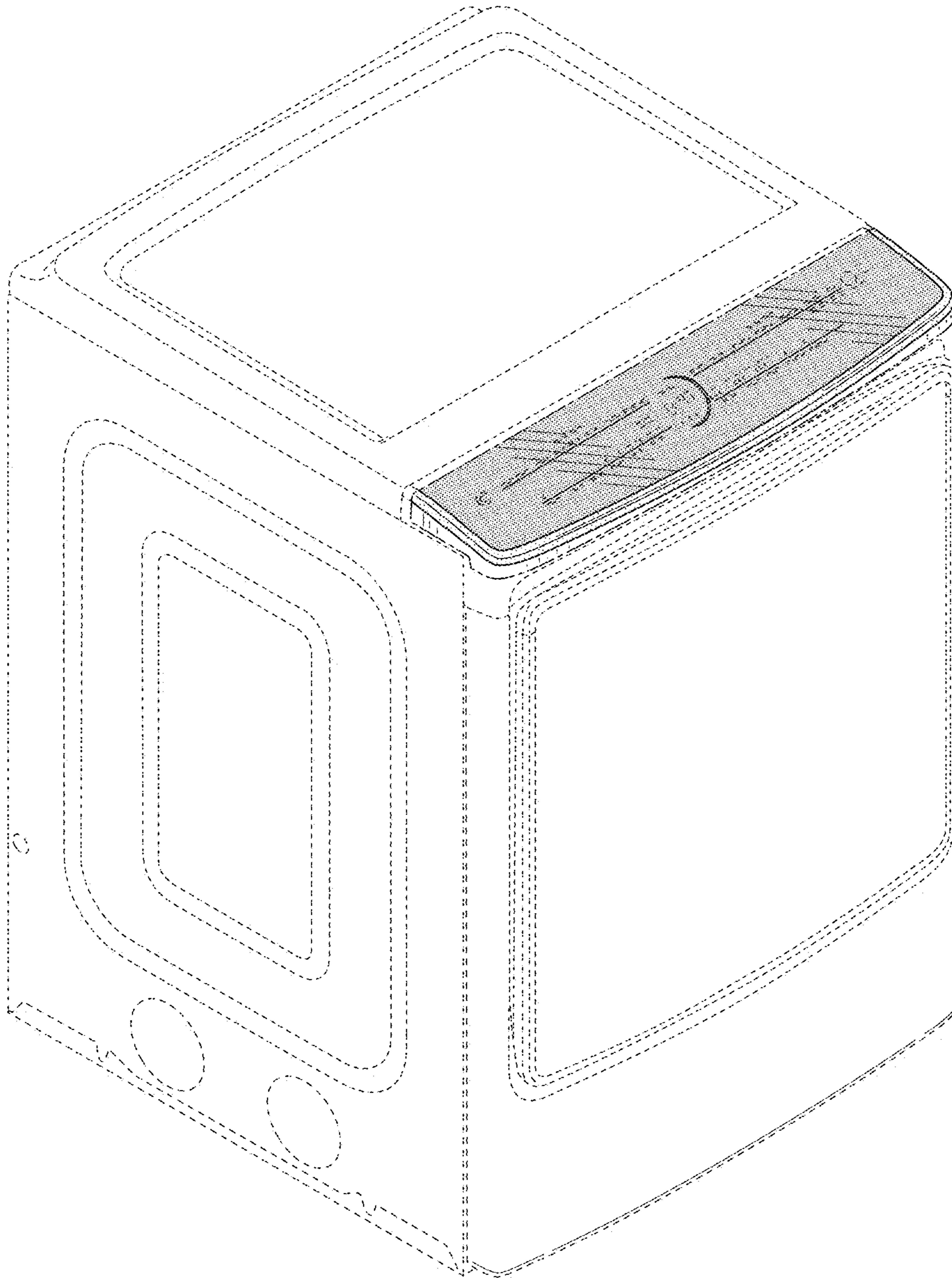


FIG. 1

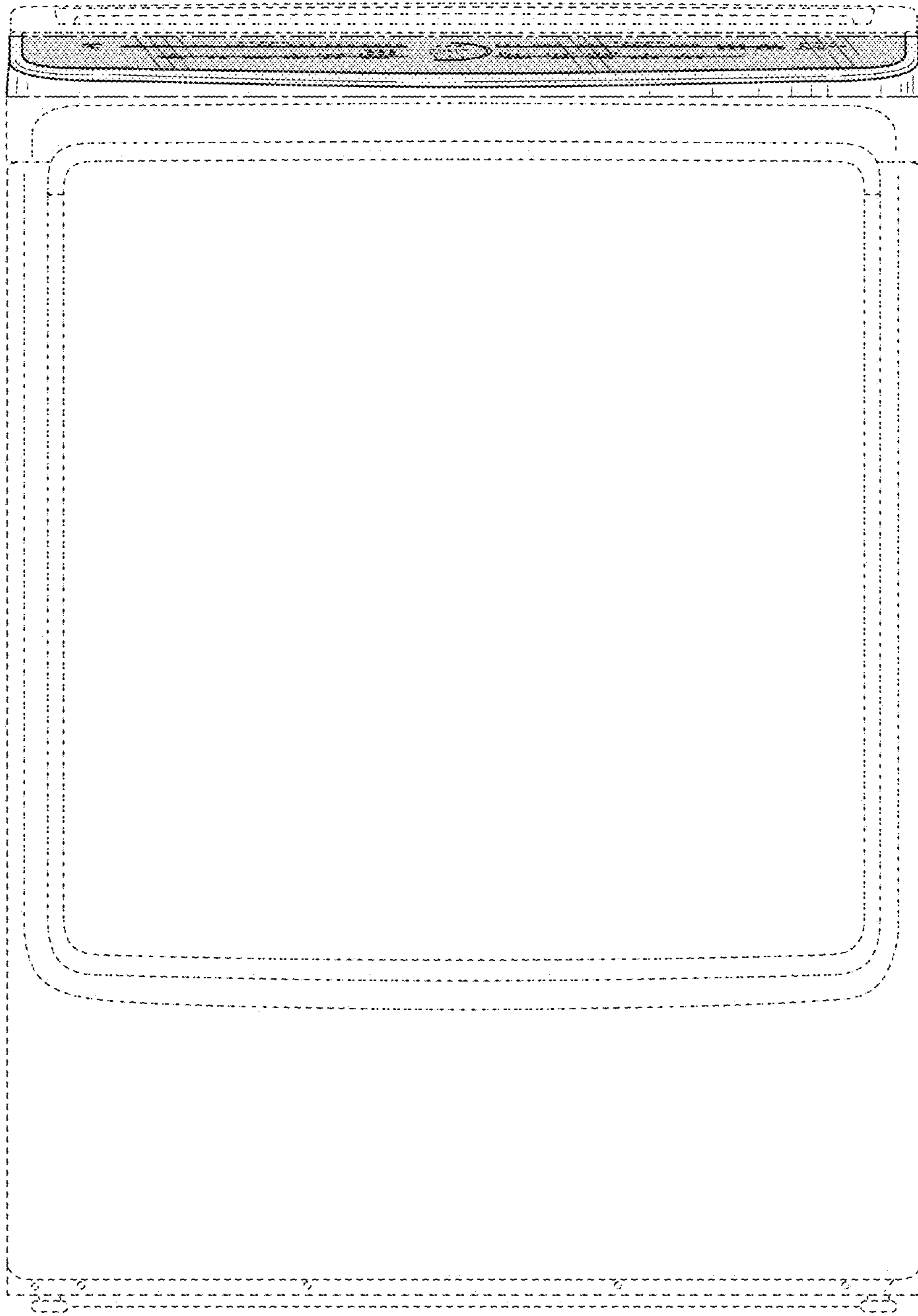


FIG. 2

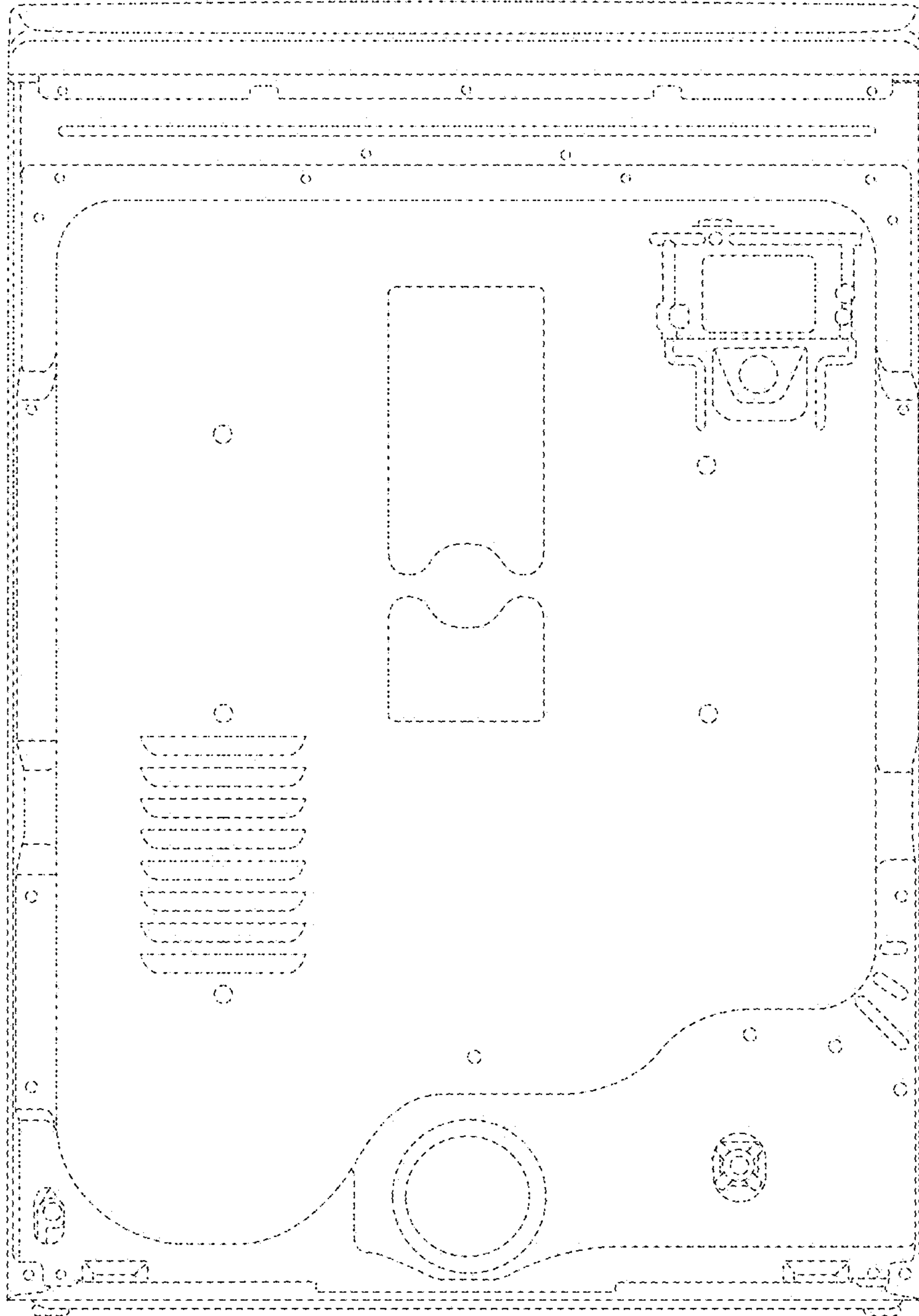


FIG. 3

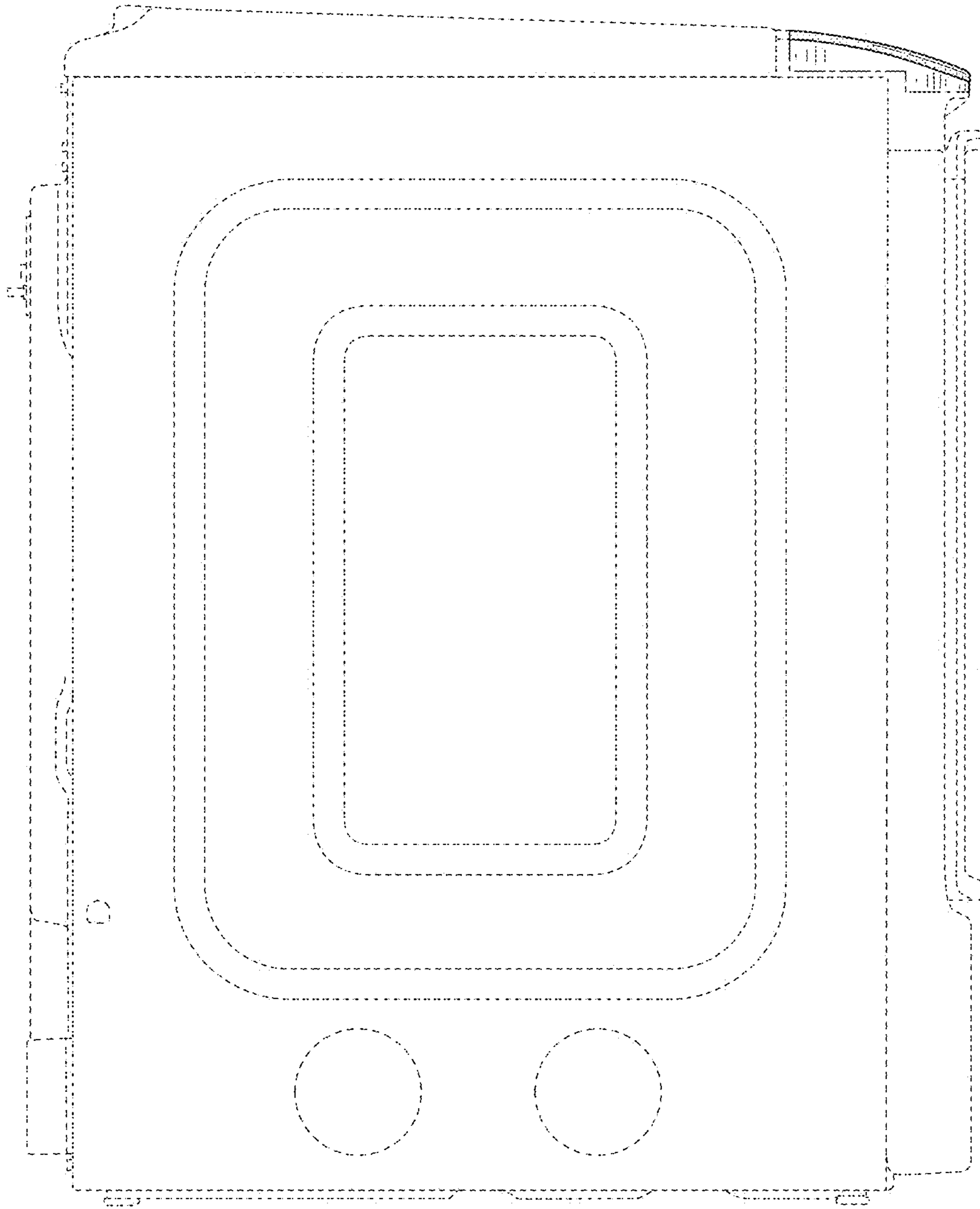


FIG. 4

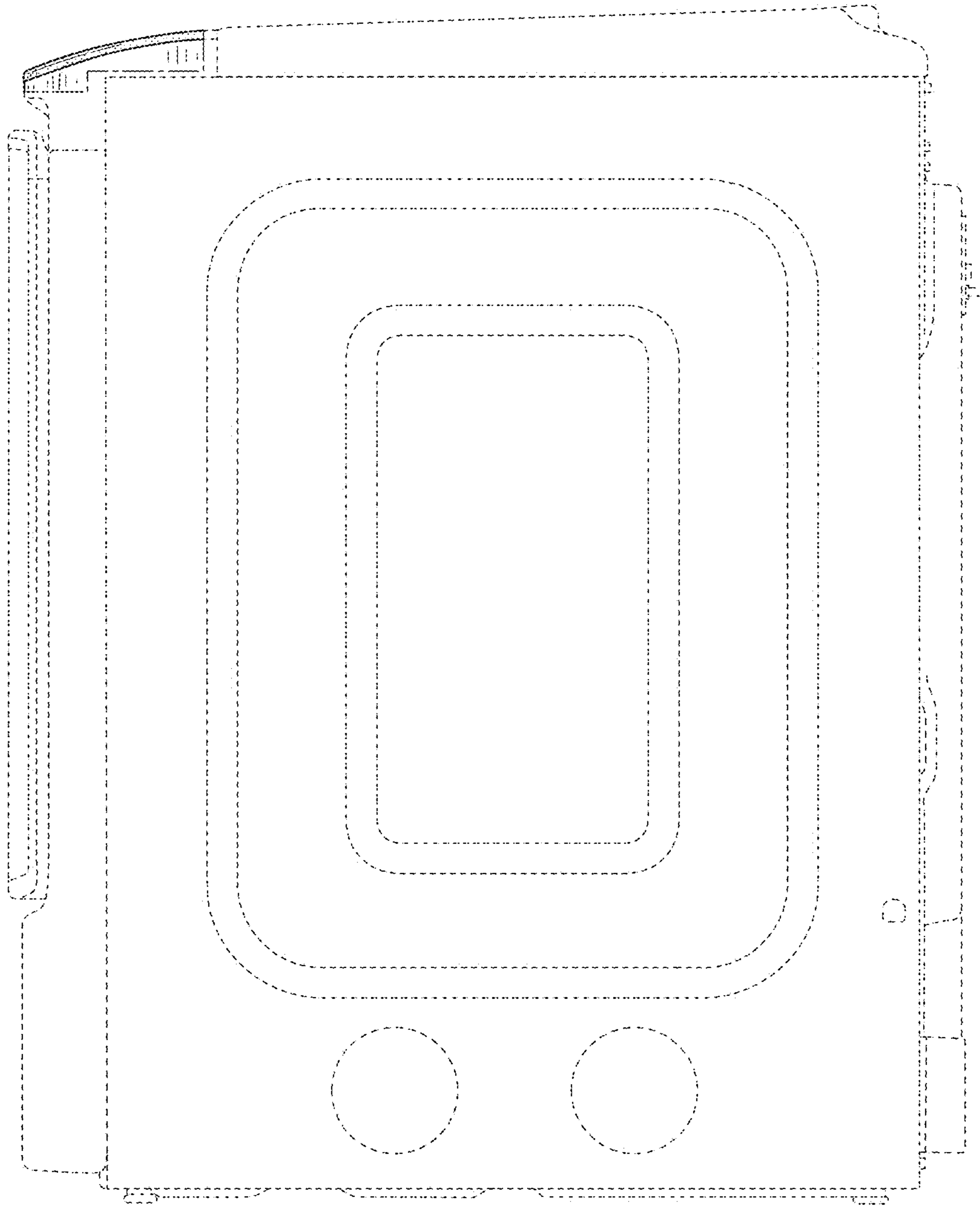


FIG. 5

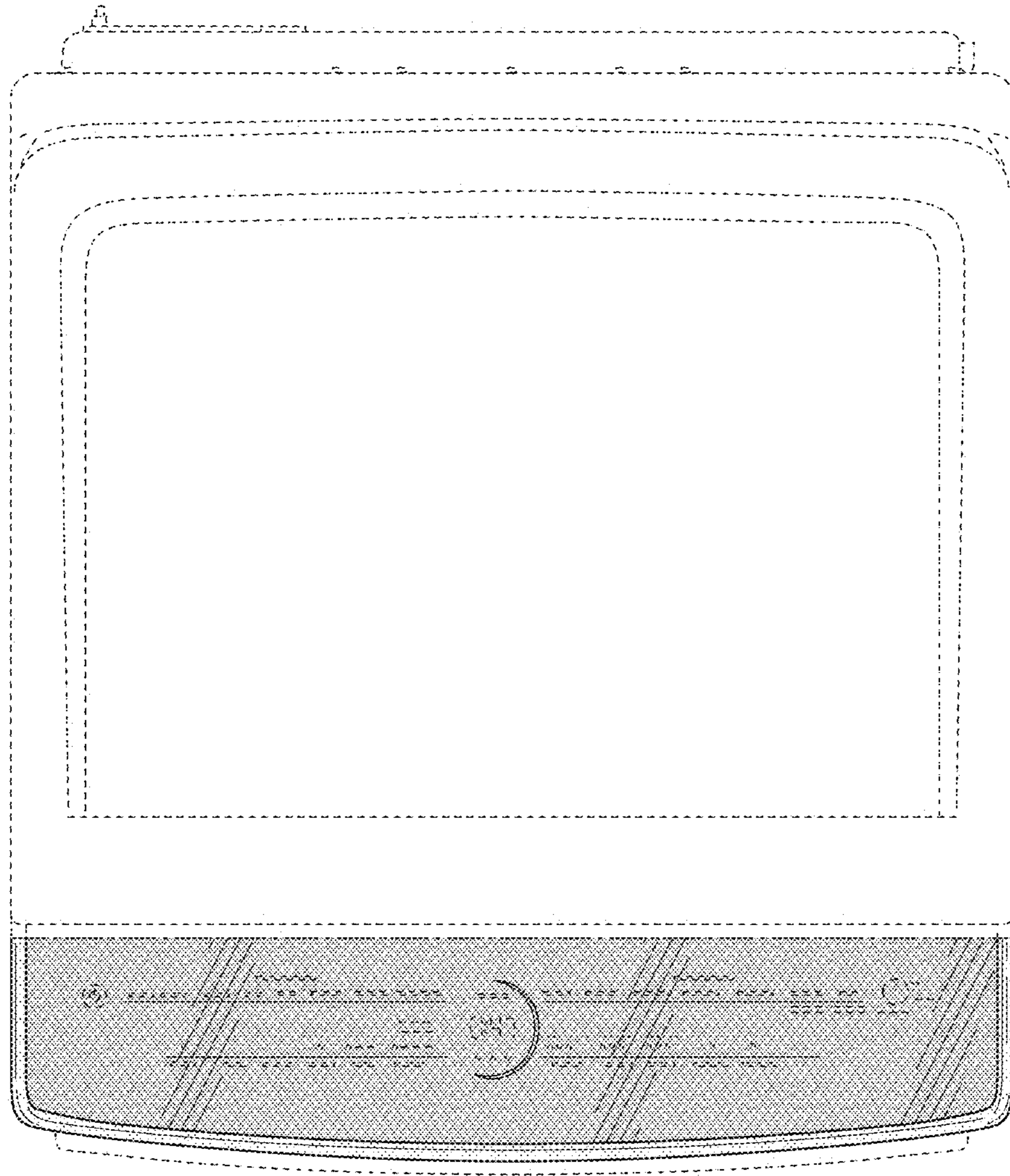


FIG. 6

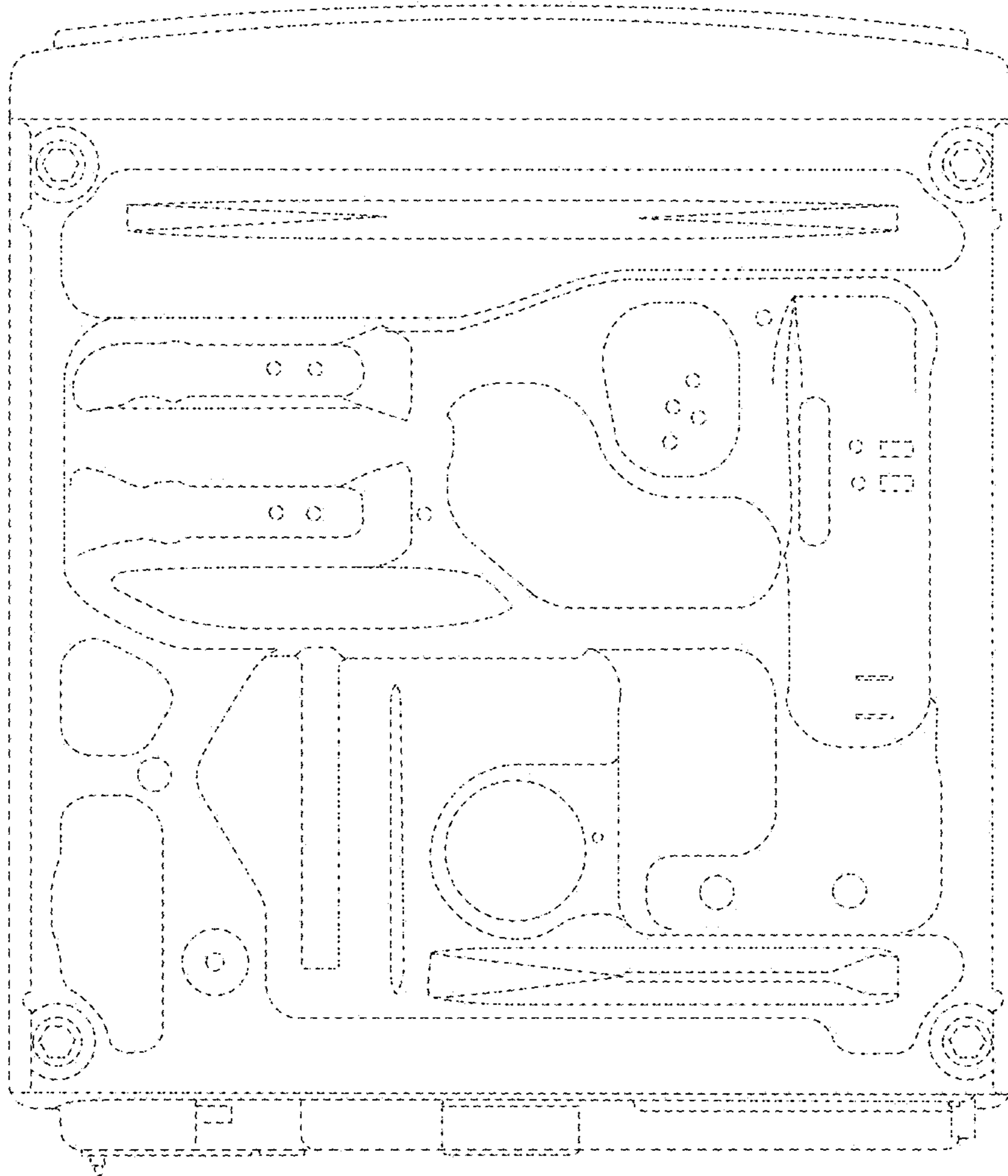


FIG. 7