



US00D870996S

(12) **United States Design Patent** (10) **Patent No.:** **US D870,996 S**
Kim et al. (45) **Date of Patent:** **** Dec. 24, 2019**

(54) **WASHING MACHINE**
(71) Applicant: **Samsung Electronics Co., Ltd.**,
Suwon-si (KR)
(72) Inventors: **Jinnam Kim**, Seoul (KR); **Jungah Choi**, Seoul (KR)
(73) Assignee: **Samsung Electronics Co., Ltd.**,
Suwon-si (KR)

D577,471 S * 9/2008 Park D32/28
D613,010 S * 3/2010 Eicher D32/28
D653,006 S * 1/2012 Takahashi D32/6
D681,892 S * 5/2013 Meda D32/28
D684,740 S * 6/2013 Geyer D32/28
D693,974 S * 11/2013 Geyer D32/28
D702,407 S * 4/2014 Geyer D32/28
D705,508 S * 5/2014 Calmeise D32/28
D744,179 S * 11/2015 Lee D32/28
D747,575 S * 1/2016 Choi D32/28
D759,916 S * 6/2016 Choi D32/28

(Continued)

(**) Term: **15 Years**

FOREIGN PATENT DOCUMENTS

(21) Appl. No.: **29/661,904**

KR 30-2006-0004457 1/2007
KR 30-2006-0020554 3/2007

(22) Filed: **Aug. 31, 2018**

(Continued)

Related U.S. Application Data

Primary Examiner — Michelle E. Wilson

(63) Continuation of application No. 29/615,400, filed on
Aug. 29, 2017, now Pat. No. Des. 830,020.

(74) *Attorney, Agent, or Firm* — NSIP Law

(30) **Foreign Application Priority Data**

(57) **CLAIM**

May 22, 2017 (KR) 30-2017-0023115

We claim the ornamental design for a washing machine, as
shown and described.

(51) **LOC (12) Cl.** **15-05**

(52) **U.S. Cl.**
USPC **D32/28**

(58) **Field of Classification Search**

USPC D32/1, 28, 6, 25, 29, 29.1, 8; D15/89;
D13/162, 162.1, 164, 177; D7/348, 349,
D7/402, 405, 406
CPC D06F 39/045; D06F 29/00; D06F 29/005;
D06F 33/02; D06F 2204/065; D06F
25/00; D06F 35/006; D06F 37/28; D06F
39/14; D06F 58/203

See application file for complete search history.

DESCRIPTION

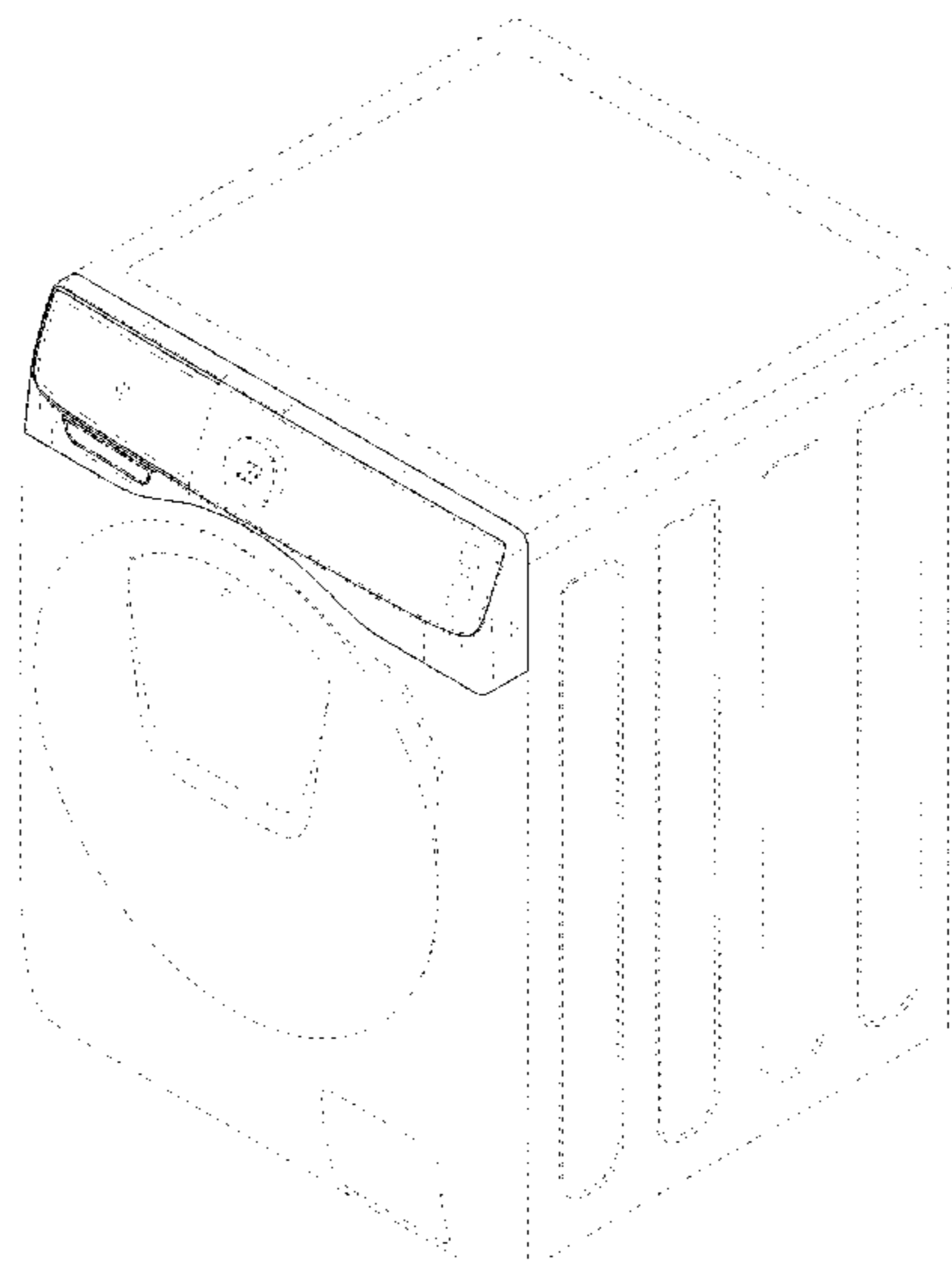
FIG. 1 is a front perspective view of a washing machine
showing our new design;
FIG. 2 is a front view thereof;
FIG. 3 is a rear view thereof;
FIG. 4 is a left-side view thereof;
FIG. 5 is a right-side view thereof;
FIG. 6 is a top view thereof; and,
FIG. 7 is a bottom view thereof.
The broken lines in the figures show portions of the washing
machine which form no part of the claimed design. The
dot-dash broken lines in the figures represent a boundary of
the claimed design and form no part thereof.

(56) **References Cited**

U.S. PATENT DOCUMENTS

D540,499 S * 4/2007 Crookshanks D32/28
D573,762 S * 7/2008 Eicher D32/28

1 Claim, 7 Drawing Sheets



(56)

References Cited

U.S. PATENT DOCUMENTS

D759,917 S * 6/2016 Choi D32/28
D760,457 S * 6/2016 Choi D32/28
D760,458 S * 6/2016 Choi D32/28
D771,888 S * 11/2016 Kim D32/28
D794,884 S * 8/2017 Ayers D32/28
D808,599 S * 1/2018 Kim D32/6
D827,229 S * 8/2018 Ha D32/6
D830,019 S * 10/2018 Kim D32/28
D830,020 S * 10/2018 Kim D32/28
D830,653 S * 10/2018 Joo D32/28
D835,368 S * 12/2018 Ha D32/6
D836,265 S * 12/2018 Kim D32/6
D848,095 S * 5/2019 Joo D32/28
D848,687 S * 5/2019 Kim D32/8

FOREIGN PATENT DOCUMENTS

KR 30-2008-0024519 11/2008
KR 30-2013-0006874 1/2014
KR 30-2013-0020381 7/2014

* cited by examiner

FIG. 1

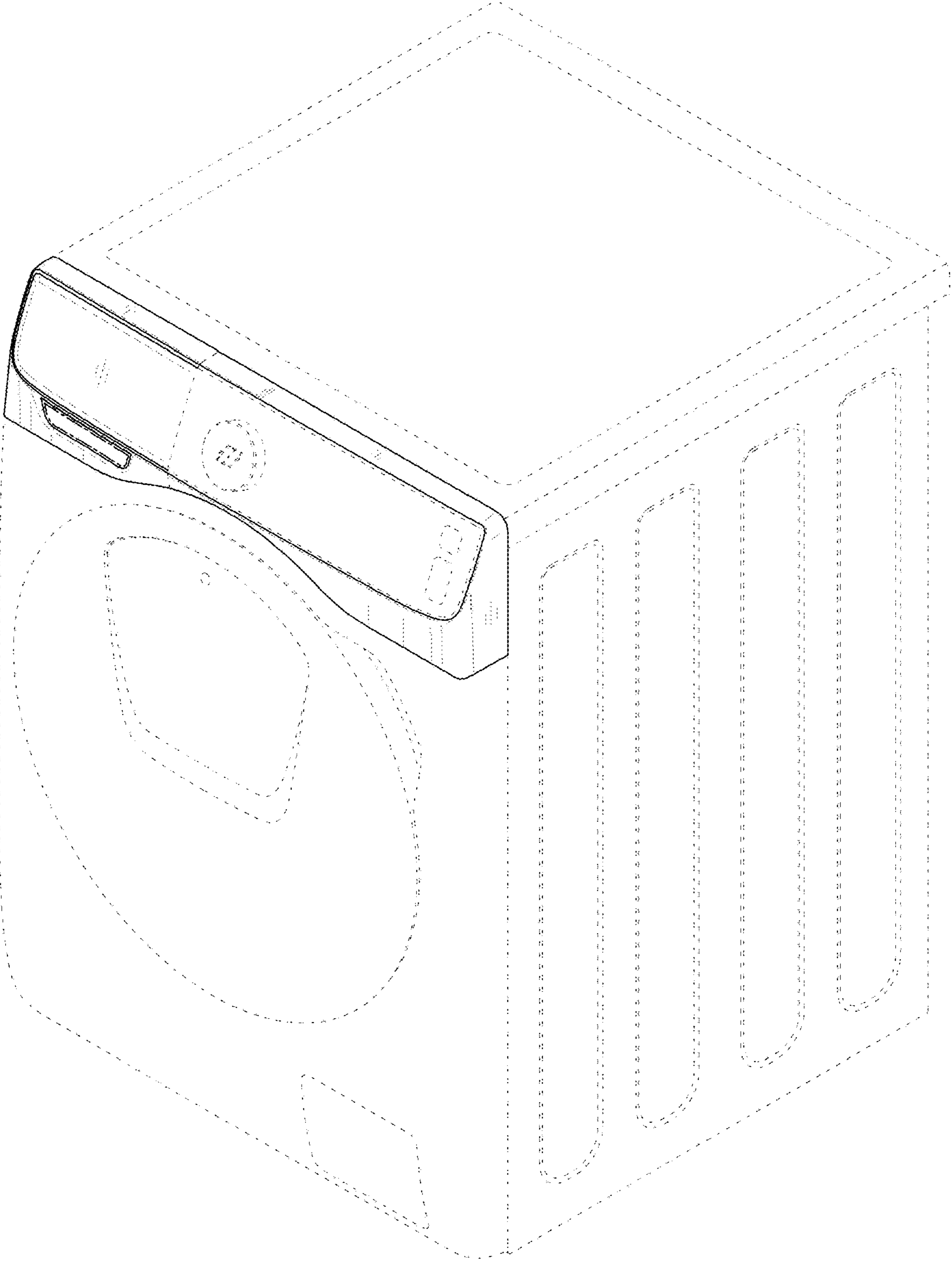


FIG. 2

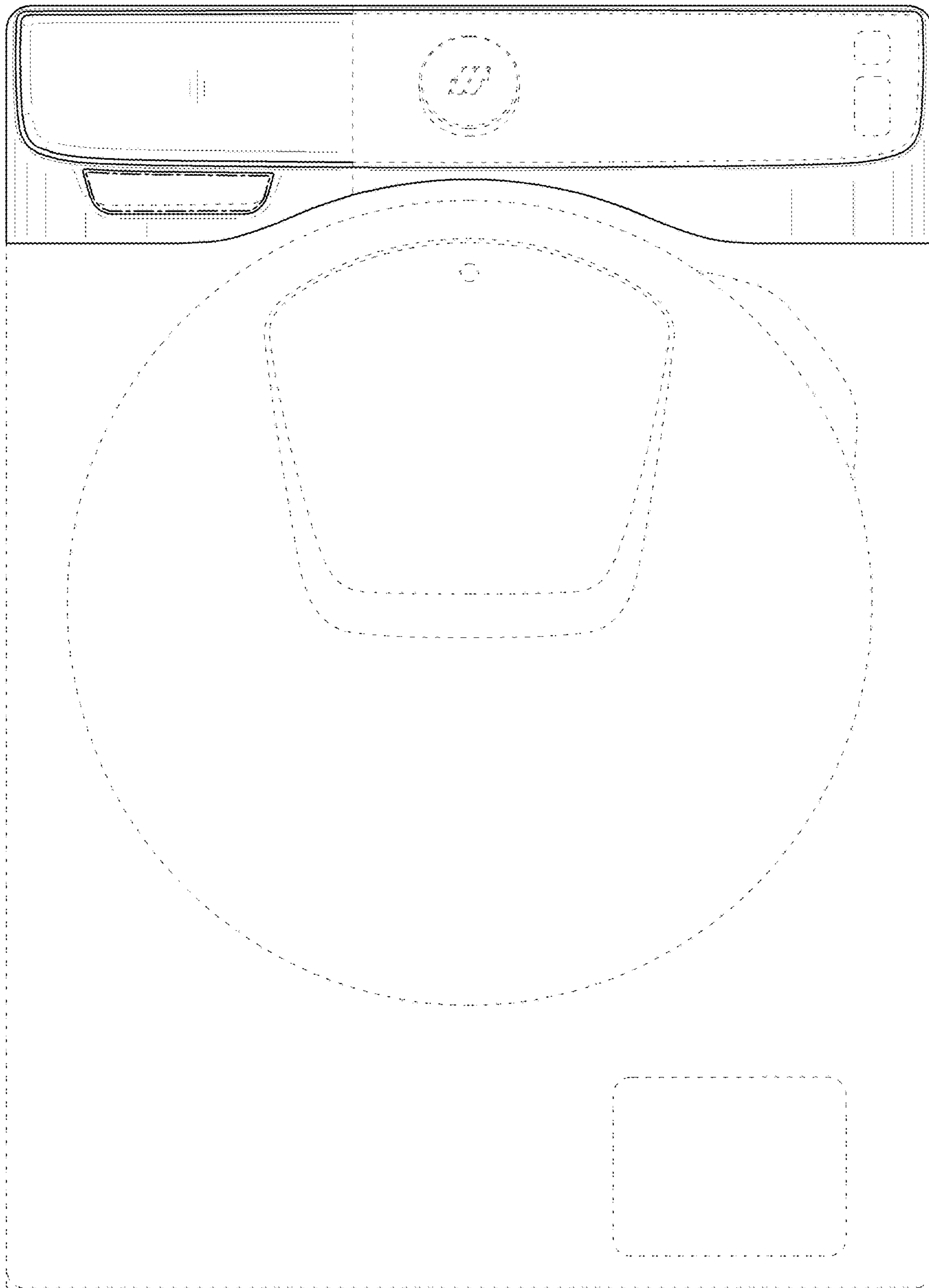


FIG. 3

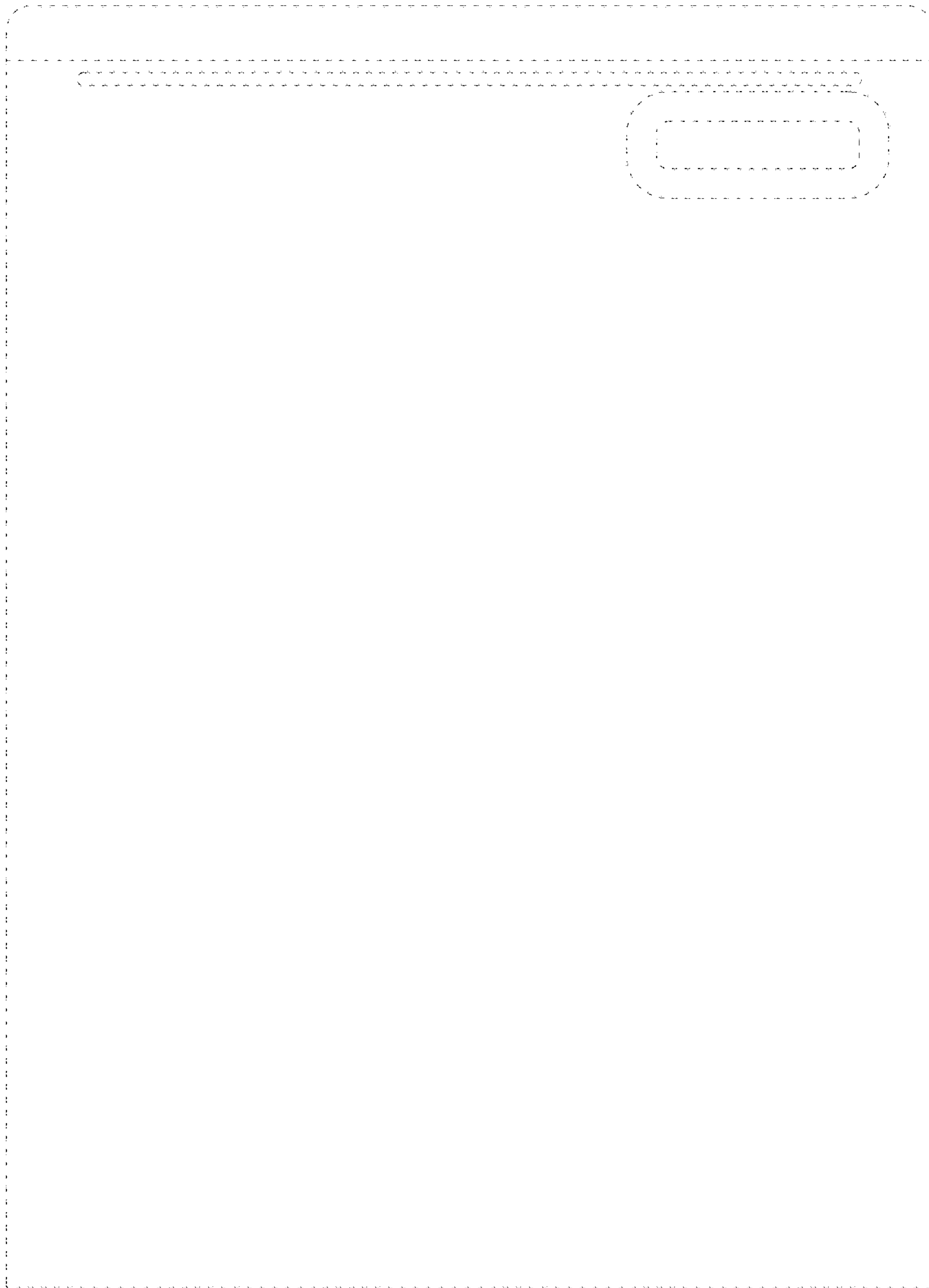


FIG. 4

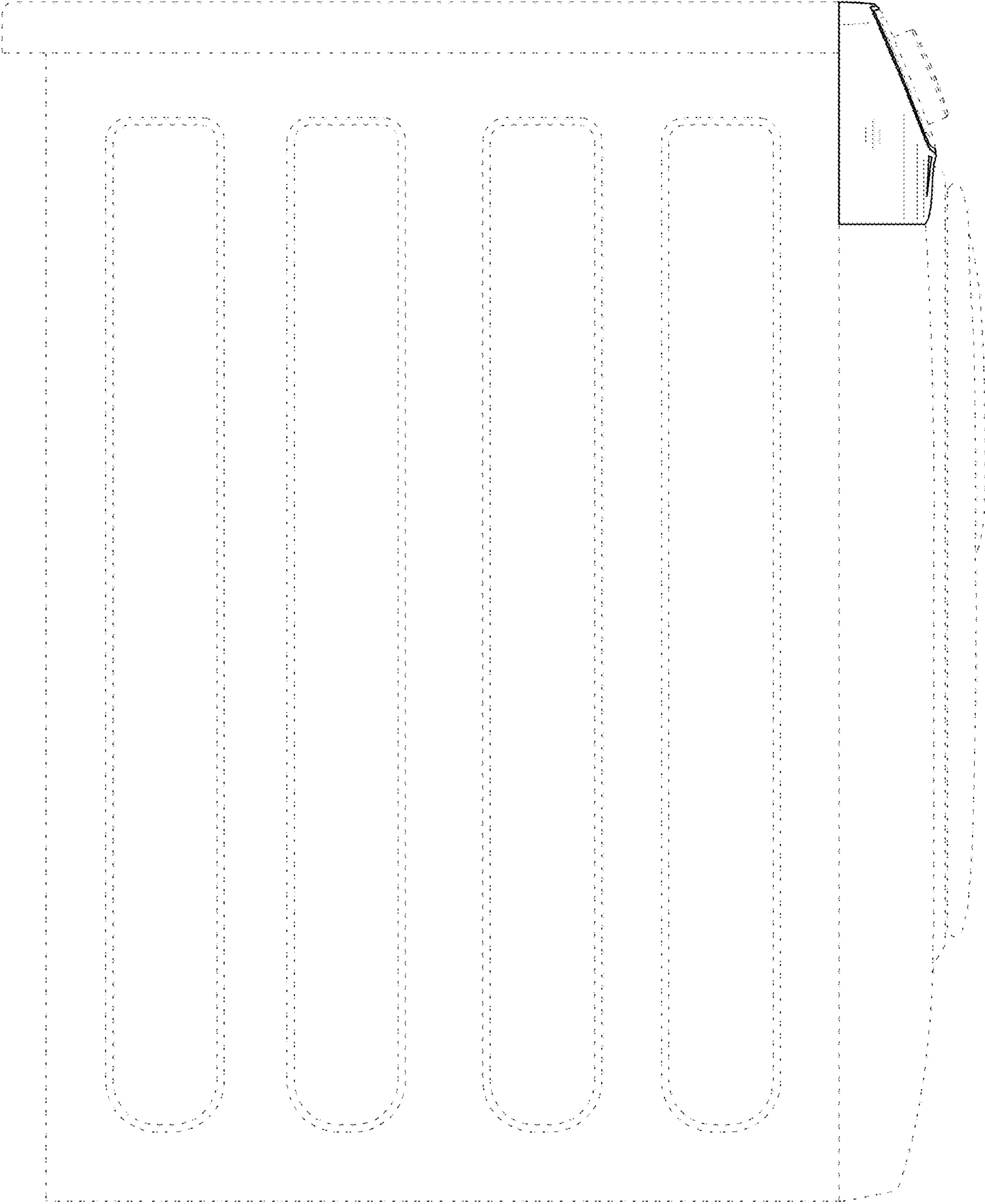


FIG. 5

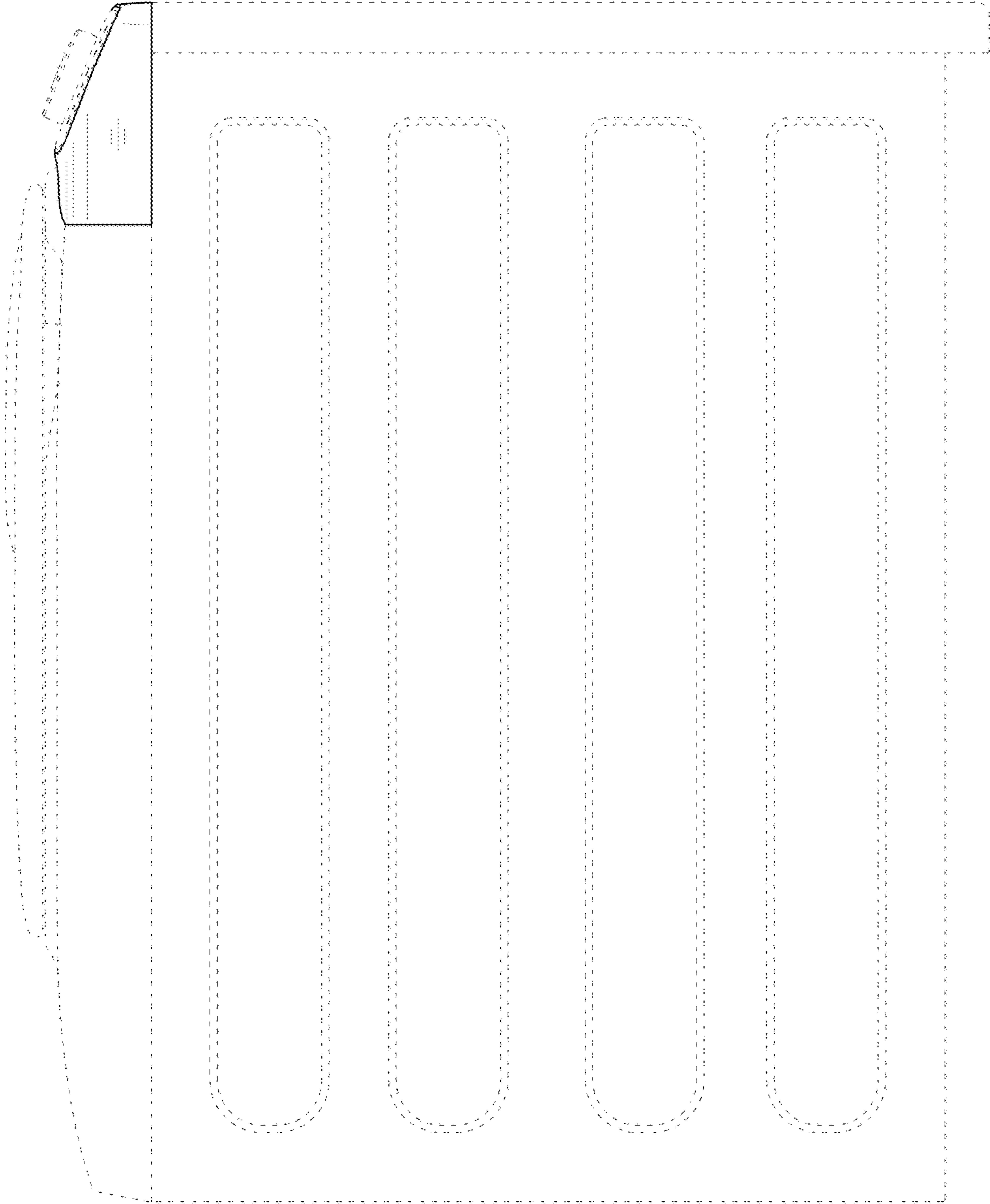


FIG. 6

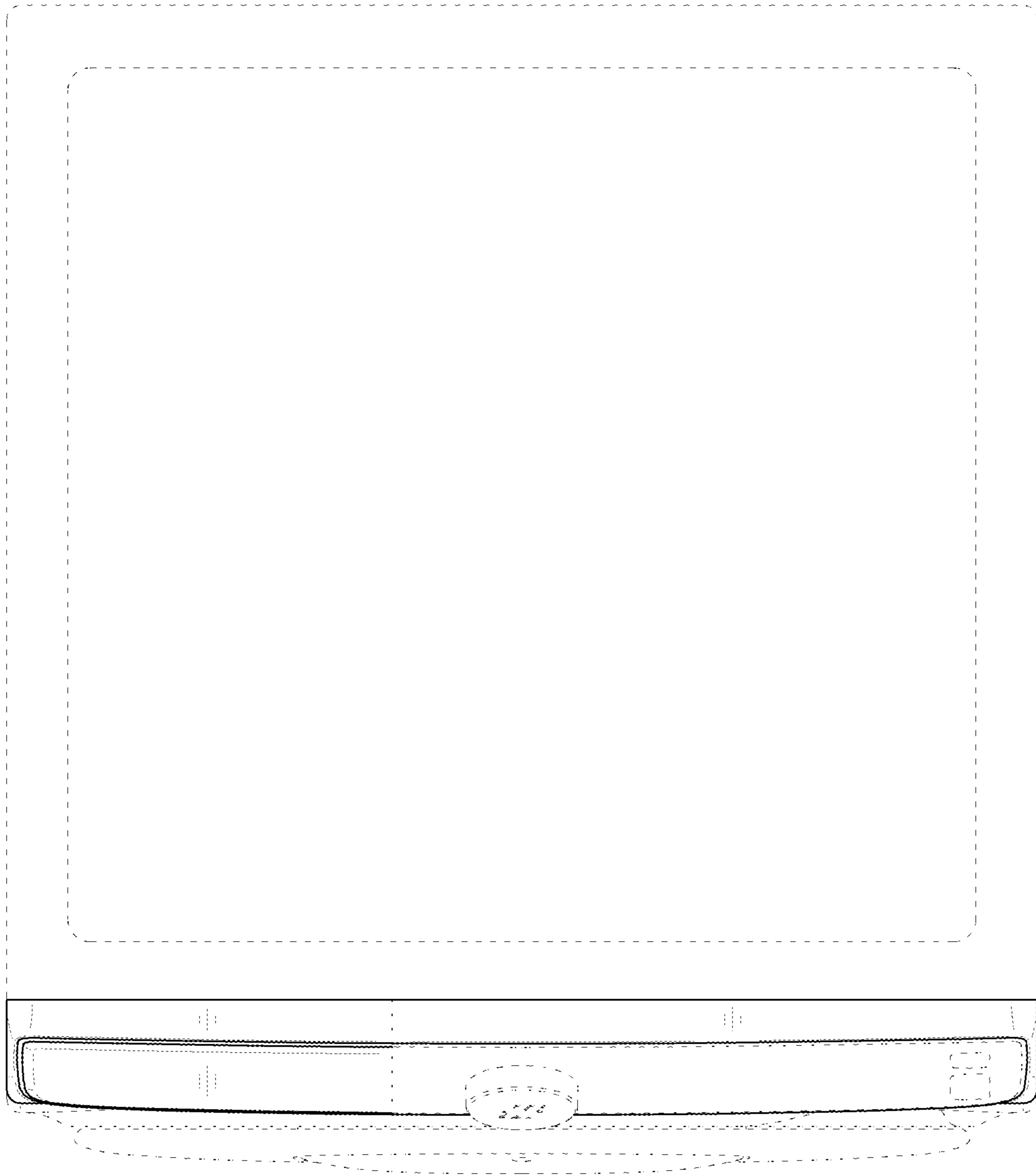


FIG. 7

