



US00D870995S

(12) **United States Design Patent**
Burgess et al.

(10) **Patent No.:** **US D870,995 S**

(45) **Date of Patent:** **** Dec. 24, 2019**

(54) **VACUUM CLEANER**

(71) Applicant: **TTI (MACAO COMMERCIAL OFFSHORE) LIMITED**, Macau (MO)

(72) Inventors: **Roderick Burgess**, Charlotte, NC (US);
Robert Warren, Charlotte, NC (US)

(73) Assignee: **TTI (Macao Commercial Offshore) Limited**, Praia Grande (MO)

(**) Term: **15 Years**

(21) Appl. No.: **29/626,369**

(22) Filed: **Nov. 16, 2017**

(30) **Foreign Application Priority Data**

May 17, 2017 (CN) 2017 3 0183126

(51) **LOC (12) Cl.** **15-05**

(52) **U.S. Cl.**
USPC **D32/22**

(58) **Field of Classification Search**
USPC D32/22, 31, 17
CPC A47L 11/20; A47L 11/34; A47L 11/40;
A47L 11/4016; A47L 5/28; A47L 5/24;
A47L 7/02
See application file for complete search history.

(56) **References Cited**

U.S. PATENT DOCUMENTS

D319,517 S * 8/1991 Sovis D32/22
D339,433 S * 9/1993 Stein D32/22
D346,052 S * 4/1994 Saunders D32/22

D355,282 S * 2/1995 Lawrence D32/22
D429,041 S * 8/2000 Medema D32/22
D584,017 S * 12/2008 Griffin D32/22
D588,759 S * 3/2009 Spiegel D32/22
D612,556 S * 3/2010 Catron D32/22
D629,980 S * 12/2010 Myers D32/22

* cited by examiner

Primary Examiner — Ruth McNroy

(74) *Attorney, Agent, or Firm* — Michael Best & Friedrich LLP

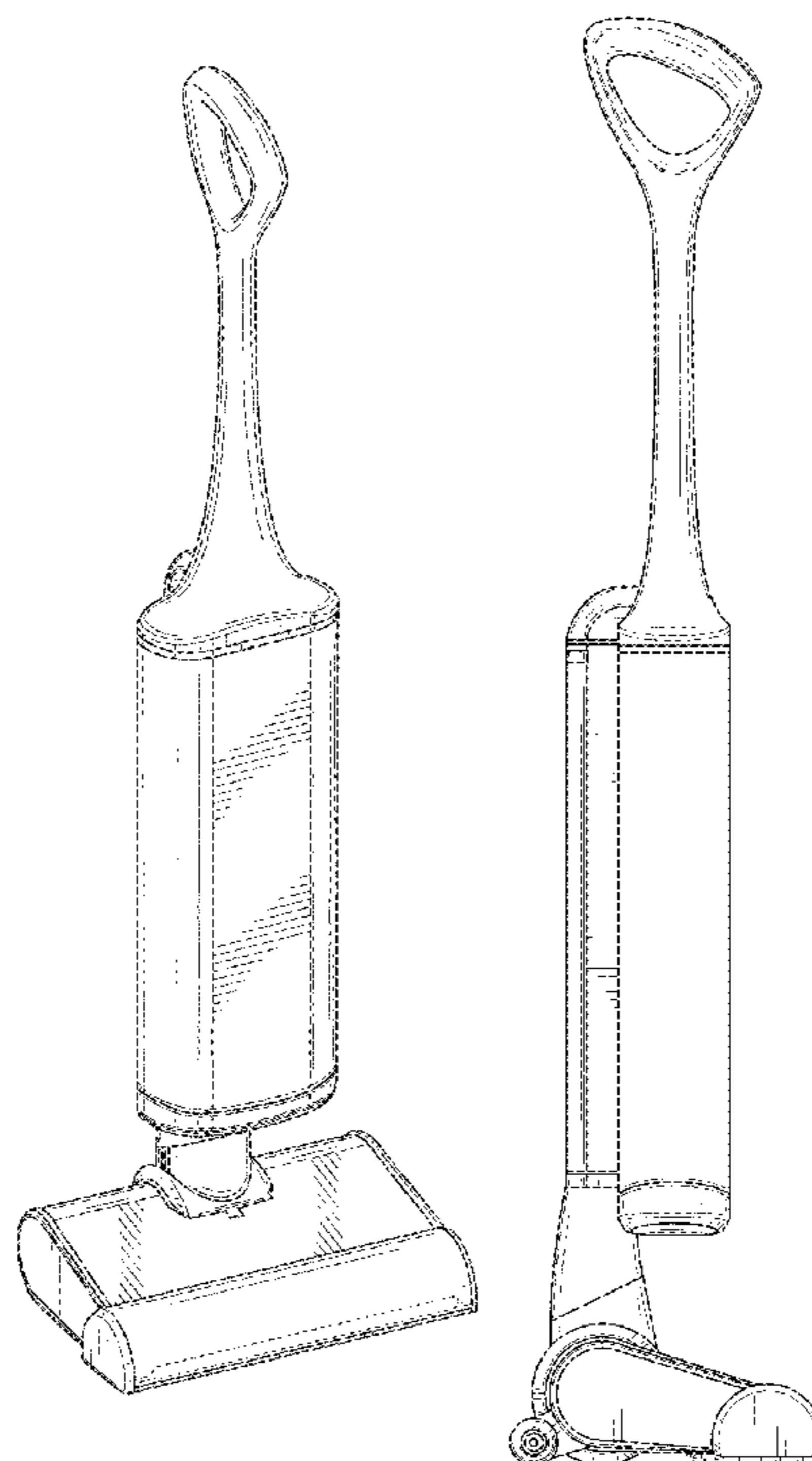
(57) **CLAIM**

We claim the ornamental design for a vacuum cleaner, as shown and described.

DESCRIPTION

FIG. 1 is a perspective view of a vacuum cleaner showing our new design;
FIG. 2 is a front side view of the vacuum cleaner shown in FIG. 1.
FIG. 3 is a back side view of the vacuum cleaner shown in FIG. 1.
FIG. 4 is a first side view of the vacuum cleaner shown in FIG. 1.
FIG. 5 is a second side view of the vacuum cleaner shown in FIG. 1.
FIG. 6 is a top view of the vacuum cleaner shown in FIG. 1; and,
FIG. 7 is a bottom view of the vacuum cleaner shown in FIG. 1.
Elements shown in broken lines are included for the purpose of showing environment and form no part of the claimed design.

1 Claim, 6 Drawing Sheets



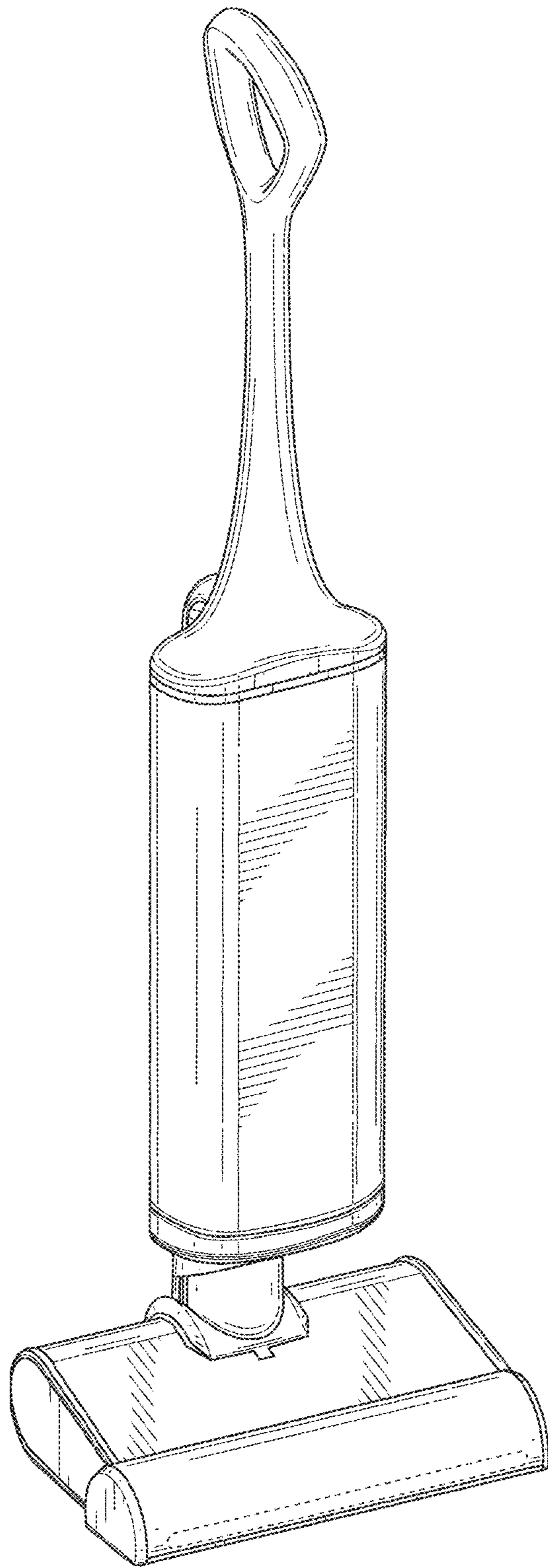


FIG. 1

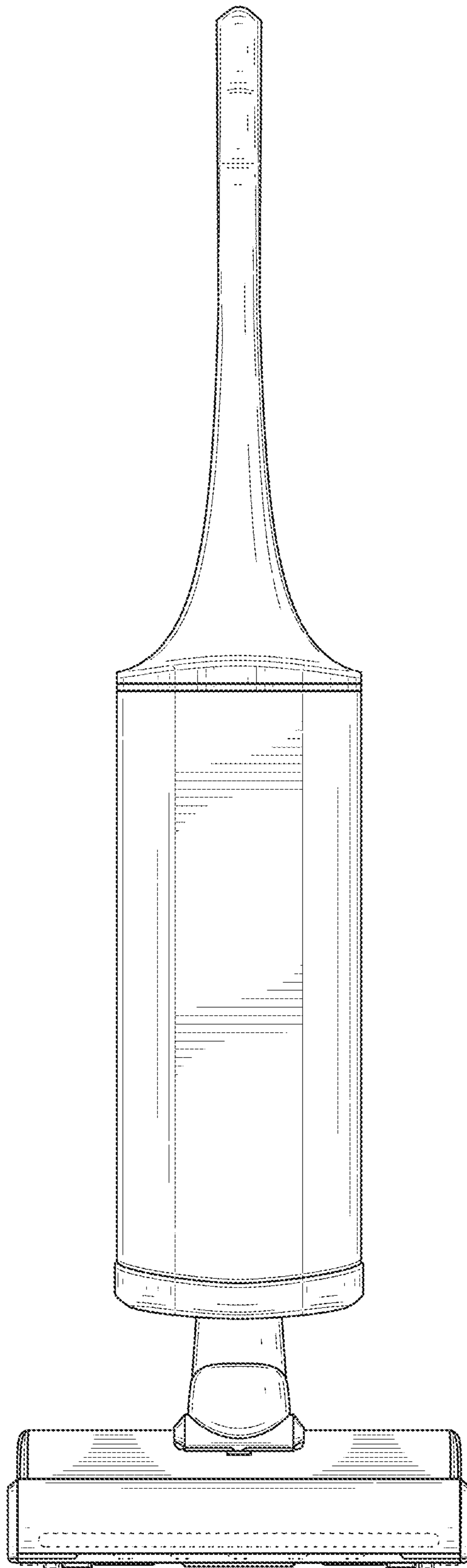


FIG. 2

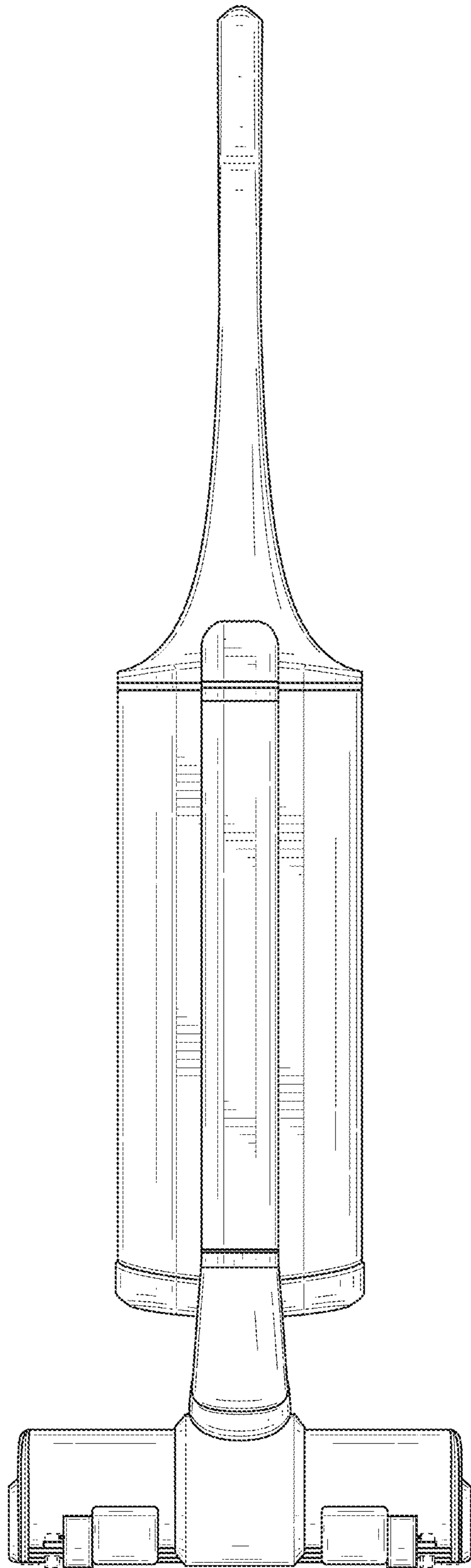


FIG. 3

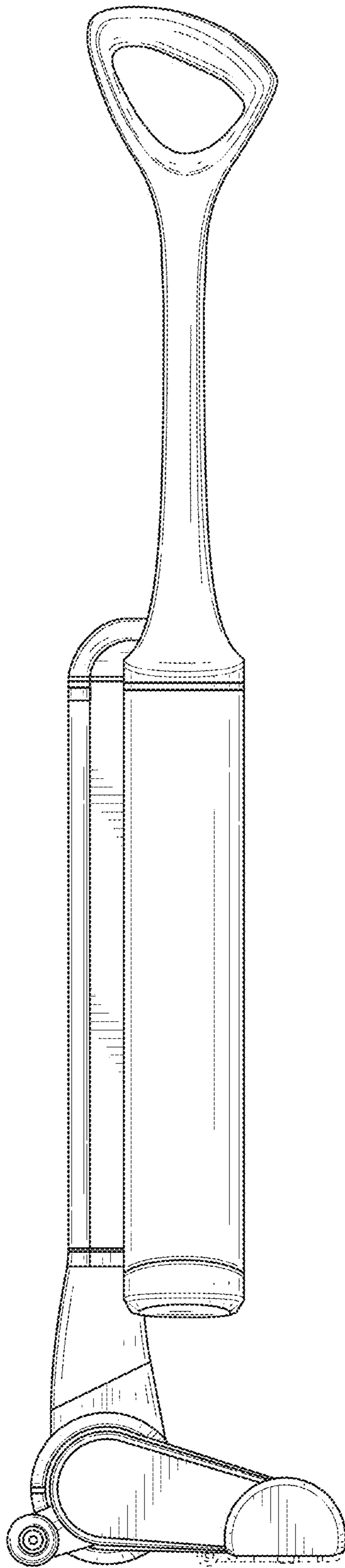


FIG. 4

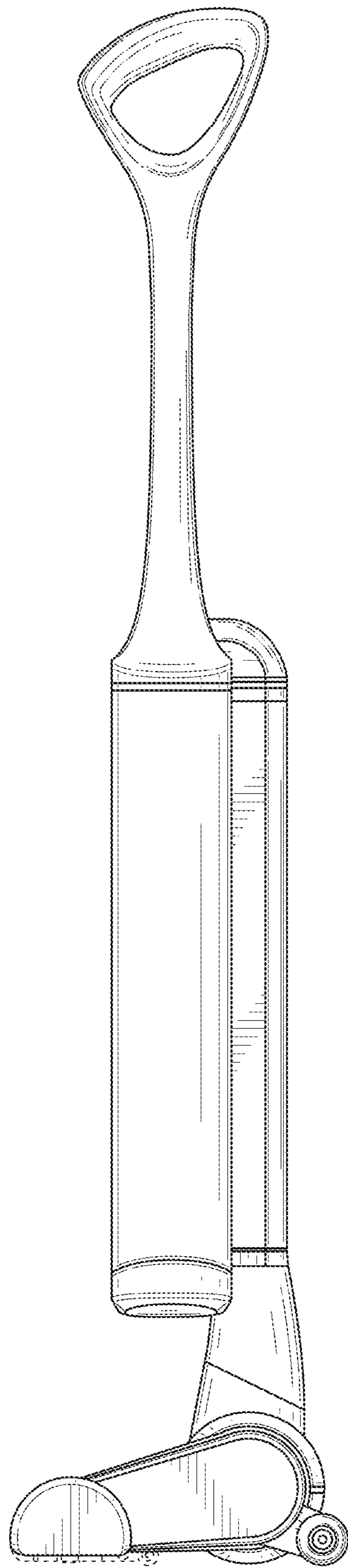


FIG. 5

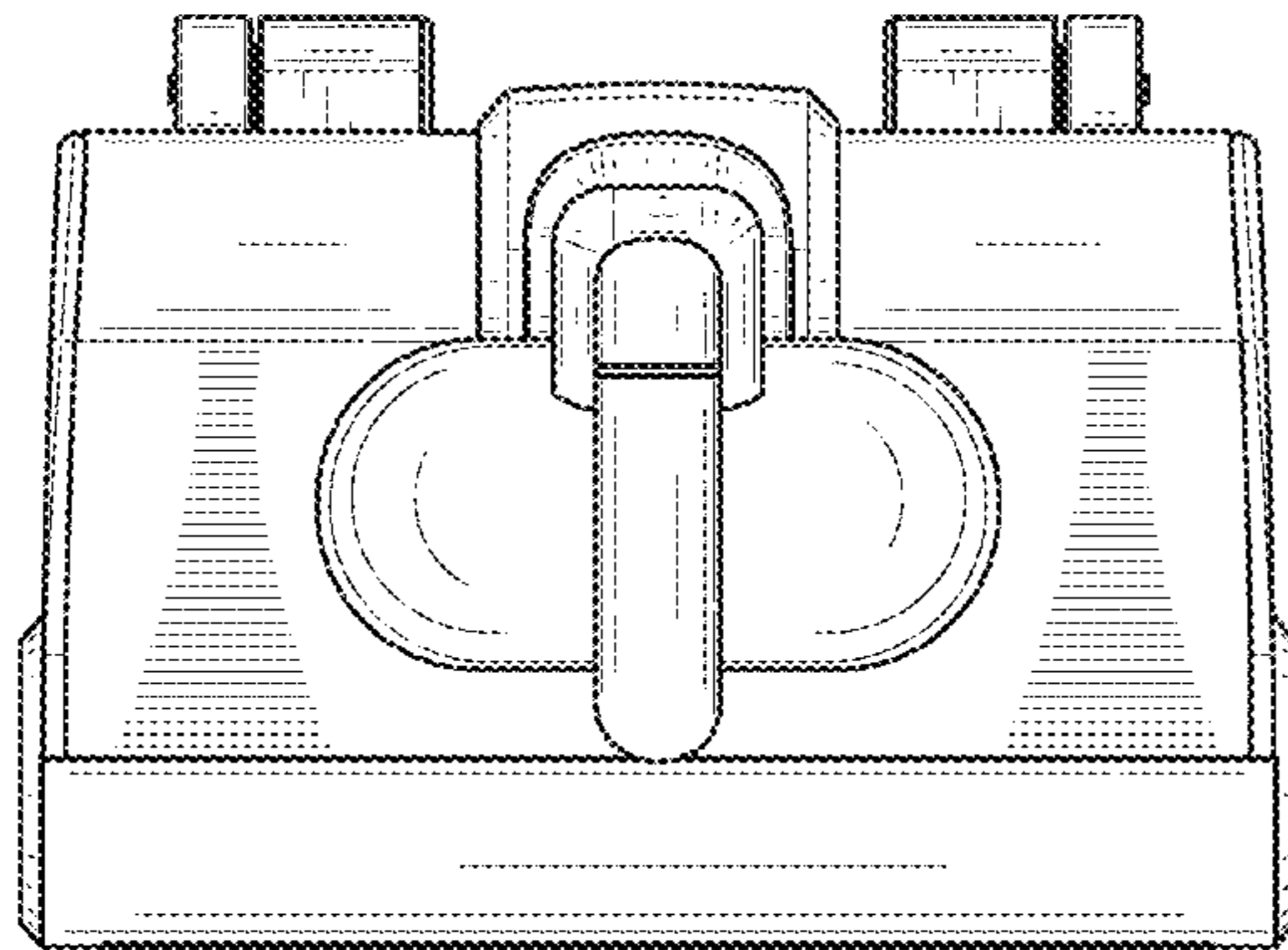


FIG. 6

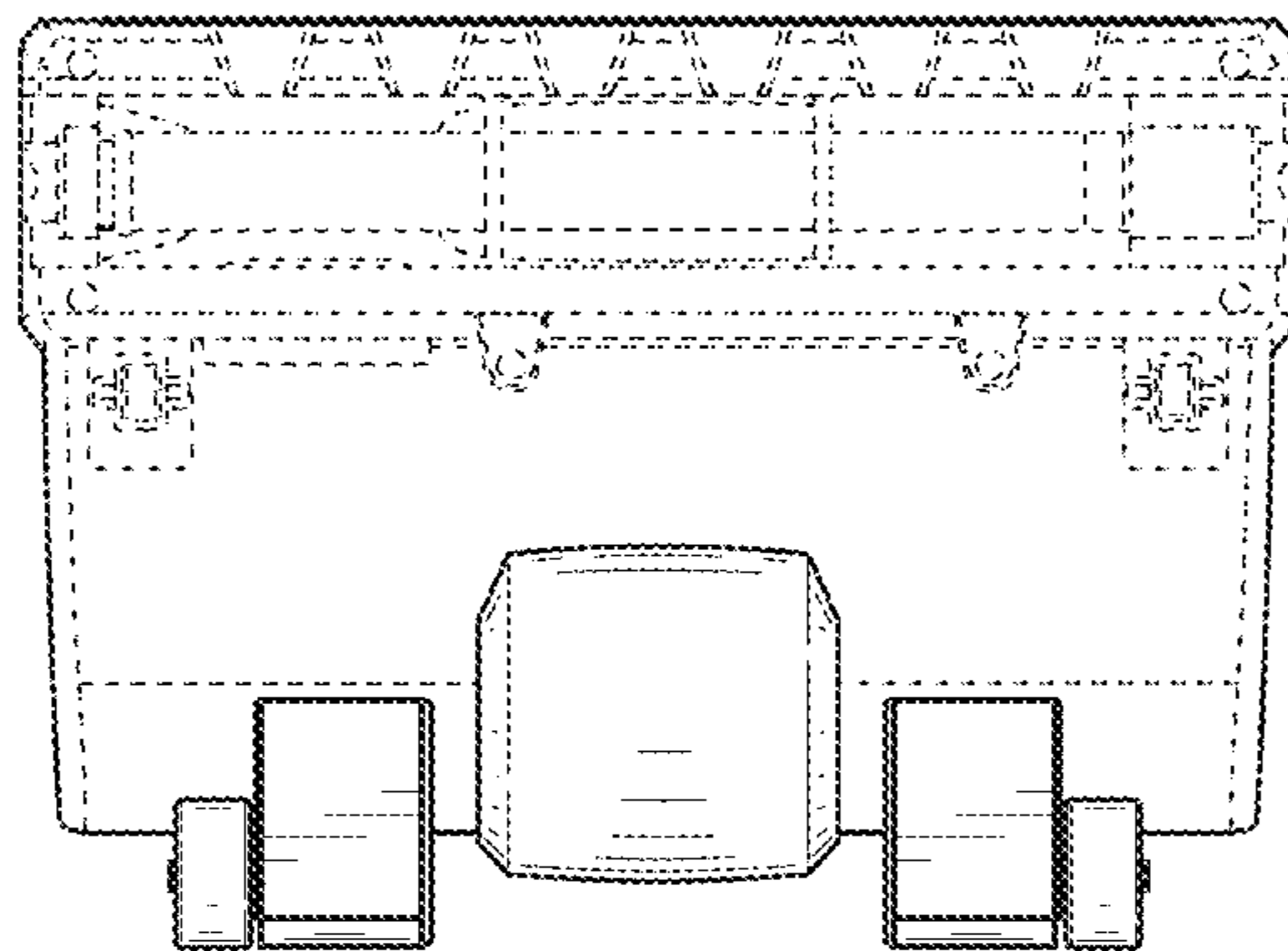


FIG. 7