



US00D870994S

(12) **United States Design Patent**  
**Zhou et al.**

(10) **Patent No.:** **US D870,994 S**

(45) **Date of Patent:** **\*\* Dec. 24, 2019**

(54) **CLEANING ROBOT**

(71) Applicant: **Shenzhen WaterWorld Co., Ltd.**,  
Shenzhen, Guangdong (CN)

(72) Inventors: **Ping Zhou**, Guangdong (CN);  
**Shengping Wang**, Guangdong (CN)

(73) Assignee: **Shenzhen WaterWorld Co., Ltd.**,  
Shenzhen (CN)

(\*\*) Term: **15 Years**

(21) Appl. No.: **29/654,990**

(22) Filed: **Jun. 29, 2018**

(30) **Foreign Application Priority Data**

Dec. 29, 2017 (CN) ..... 2017 3 0682760

(51) **LOC (12) Cl.** ..... **15-05**

(52) **U.S. Cl.**  
USPC ..... **D32/21**

(58) **Field of Classification Search**  
USPC ..... D32/21, 31; D13/108–109; 15/319  
CPC ..... E04H 4/1654; A47L 2201/00; A47L  
2201/02; A47L 2201/04; A47L 2201/06;  
A47L 9/0461; A47L 9/2805; B25J 9/1694  
See application file for complete search history.

(56) **References Cited**

**U.S. PATENT DOCUMENTS**

D556,961 S \* 12/2007 Swyst ..... D15/199  
D658,341 S \* 4/2012 Nam ..... D32/21

D661,440 S \* 6/2012 Lee ..... D32/21  
D665,547 S \* 8/2012 Nam ..... D32/21  
D669,235 S \* 10/2012 Bassett ..... D32/21  
D690,478 S \* 9/2013 Li ..... D32/21  
D714,003 S \* 9/2014 Casini ..... D32/21  
D715,504 S \* 10/2014 Deoksang ..... D32/21  
D771,884 S \* 11/2016 Ninomiya ..... D32/21  
D835,869 S \* 12/2018 Li ..... D32/21  
D840,617 S \* 2/2019 Dou ..... D32/21

\* cited by examiner

*Primary Examiner* — Ruth McInroy

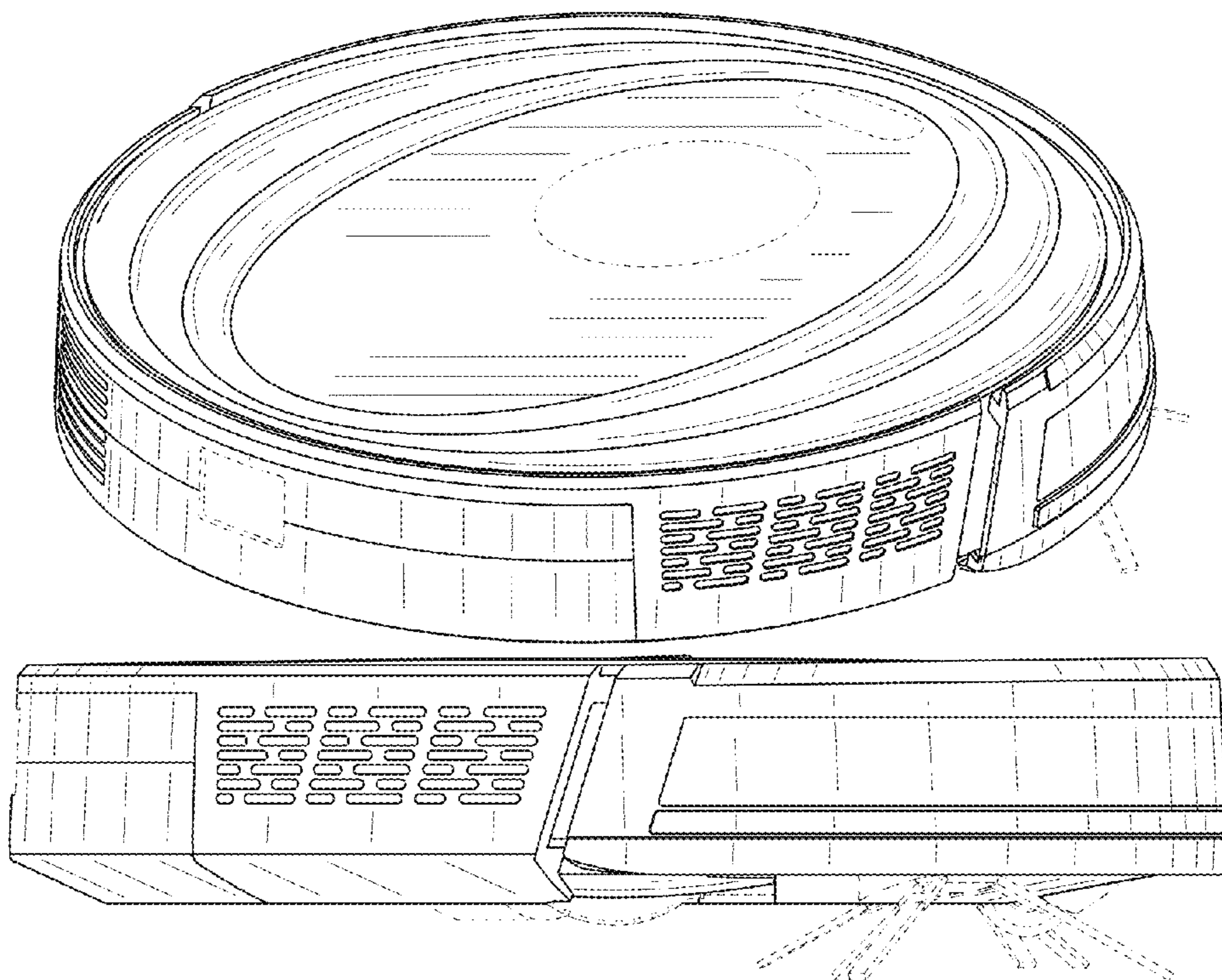
(57) **CLAIM**

The ornamental design for a cleaning robot, as shown and described.

**DESCRIPTION**

FIG. 1 is a top, front and right side perspective view of a cleaning robot showing our new design; FIG. 2 is a bottom and rear perspective view thereof; FIG. 3 is a top plan view thereof; FIG. 4 is a bottom plan view thereof; FIG. 5 is a right side view thereof; FIG. 6 is a left side view thereof; FIG. 7 is a front elevational view thereof; and, FIG. 8 is a rear elevational view thereof. The broken lines in the drawings illustrate portions of the cleaning robot which form no part of the claimed design.

**1 Claim, 8 Drawing Sheets**



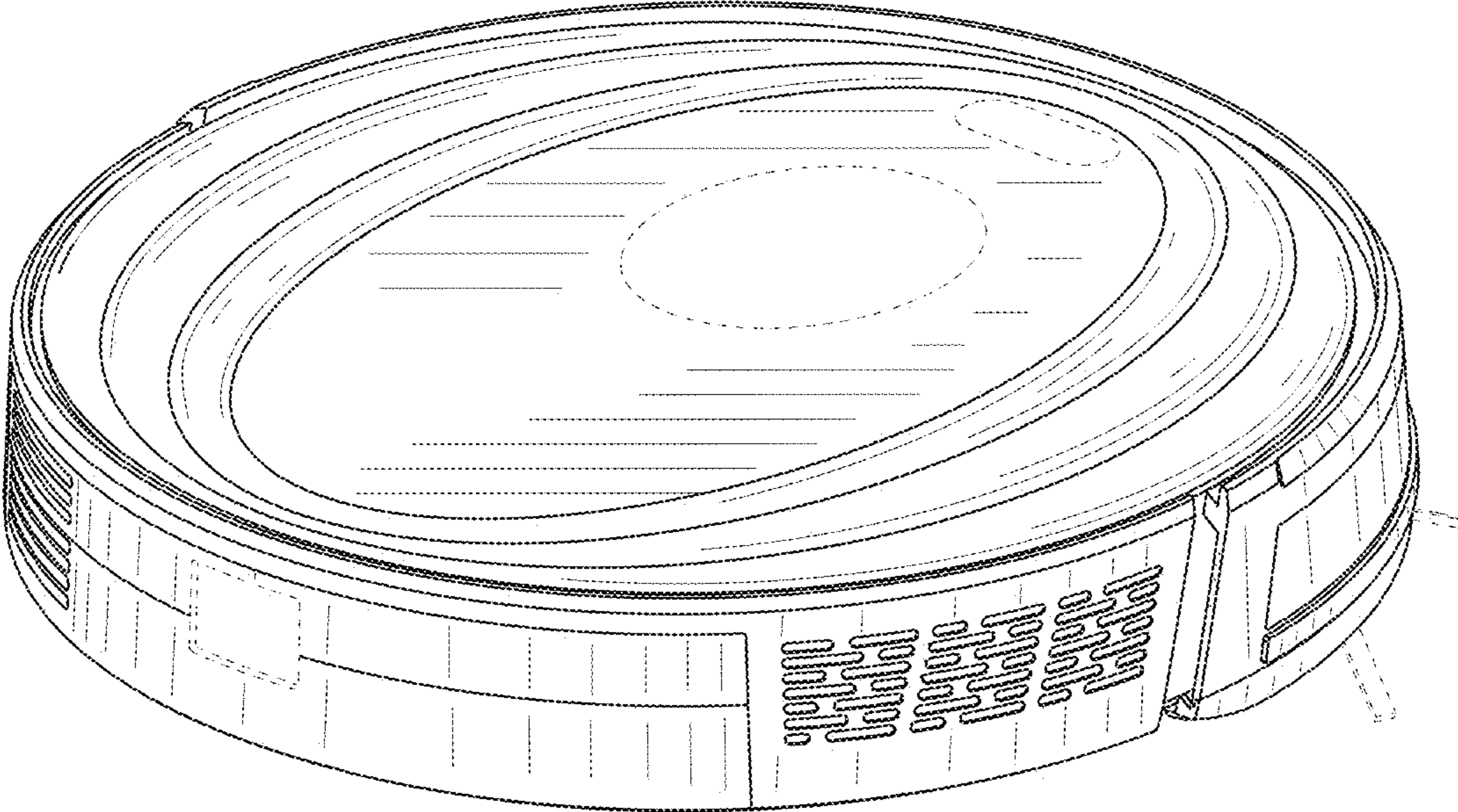


Fig. 1

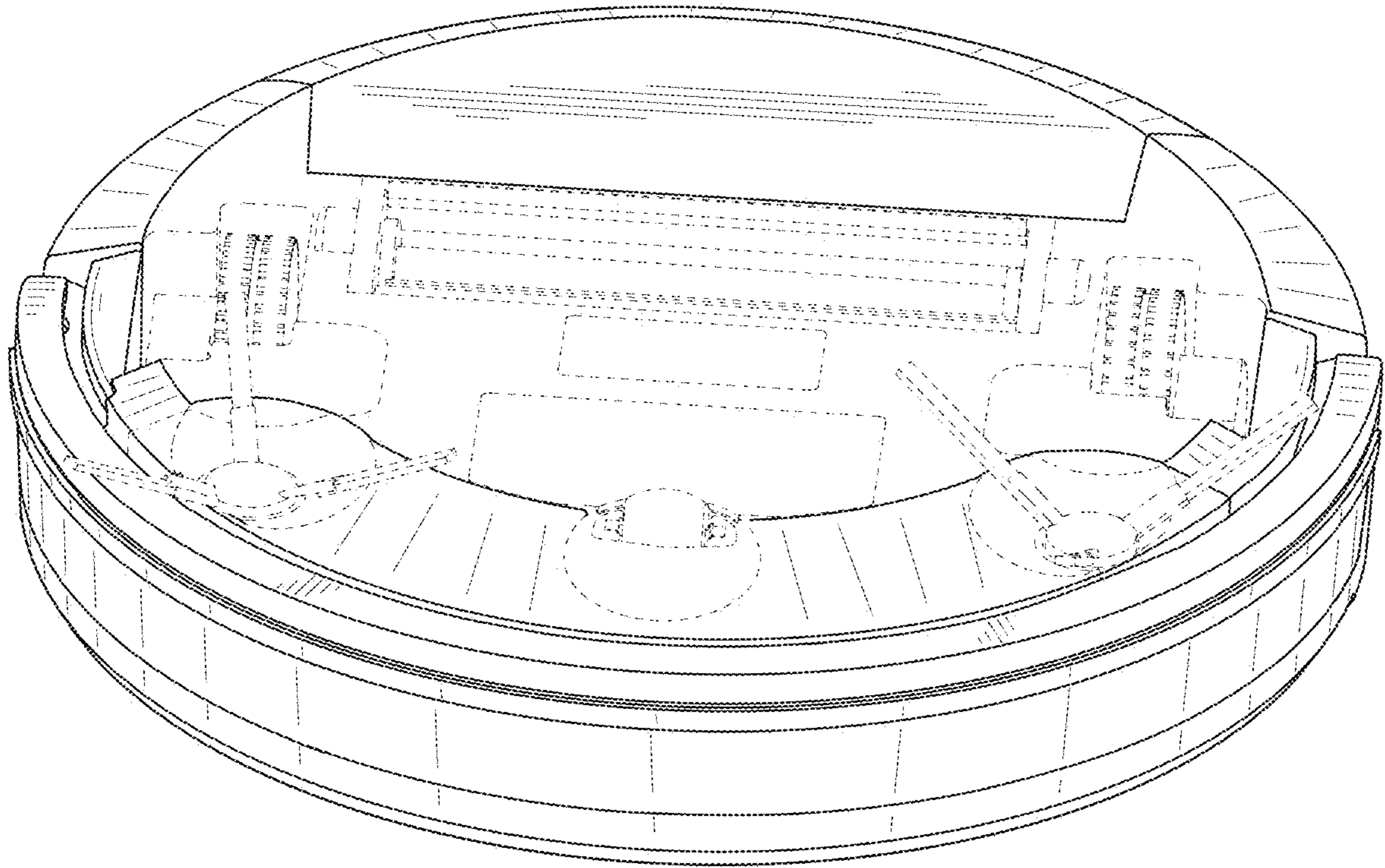


Fig. 2

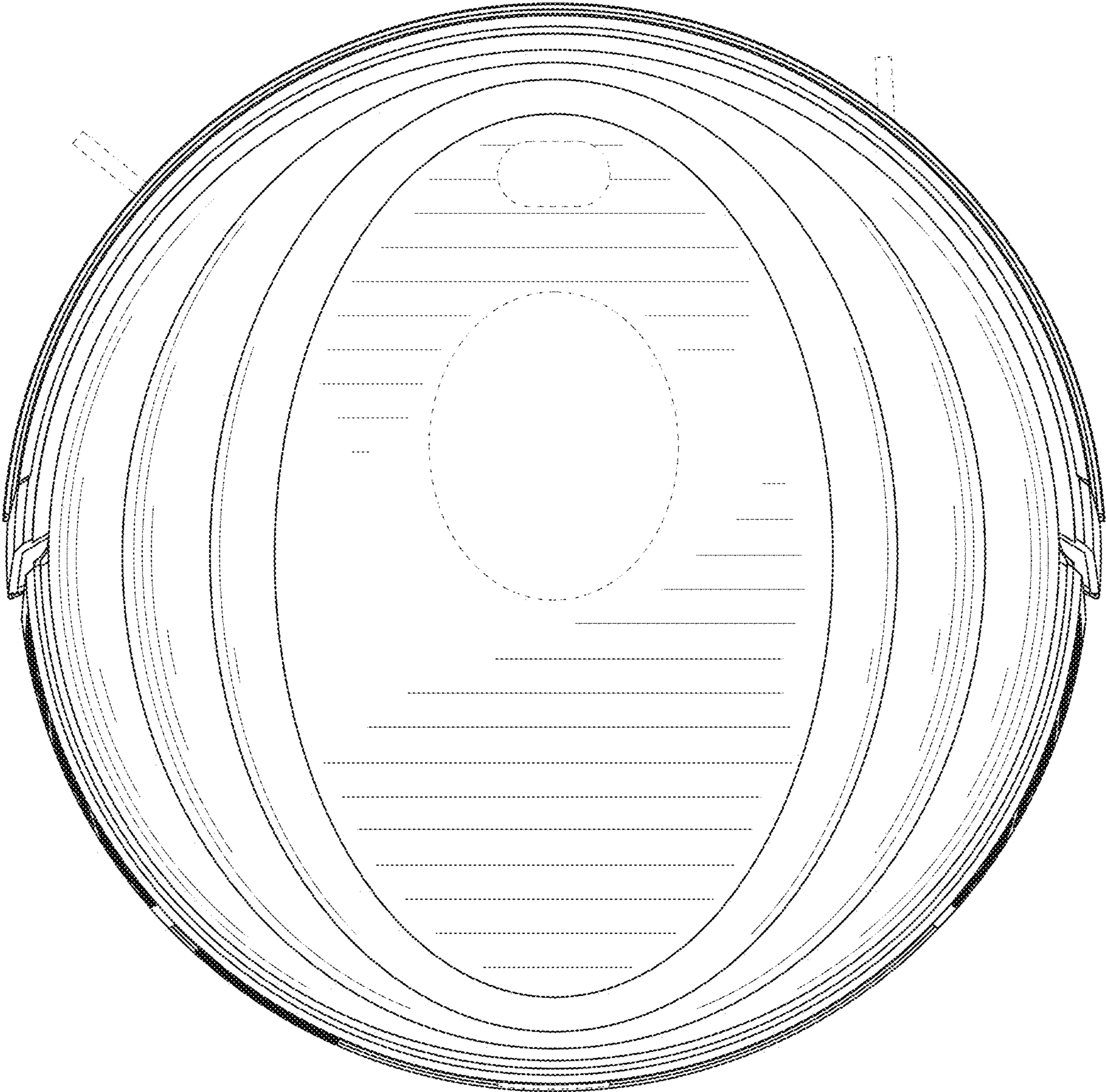


Fig. 3

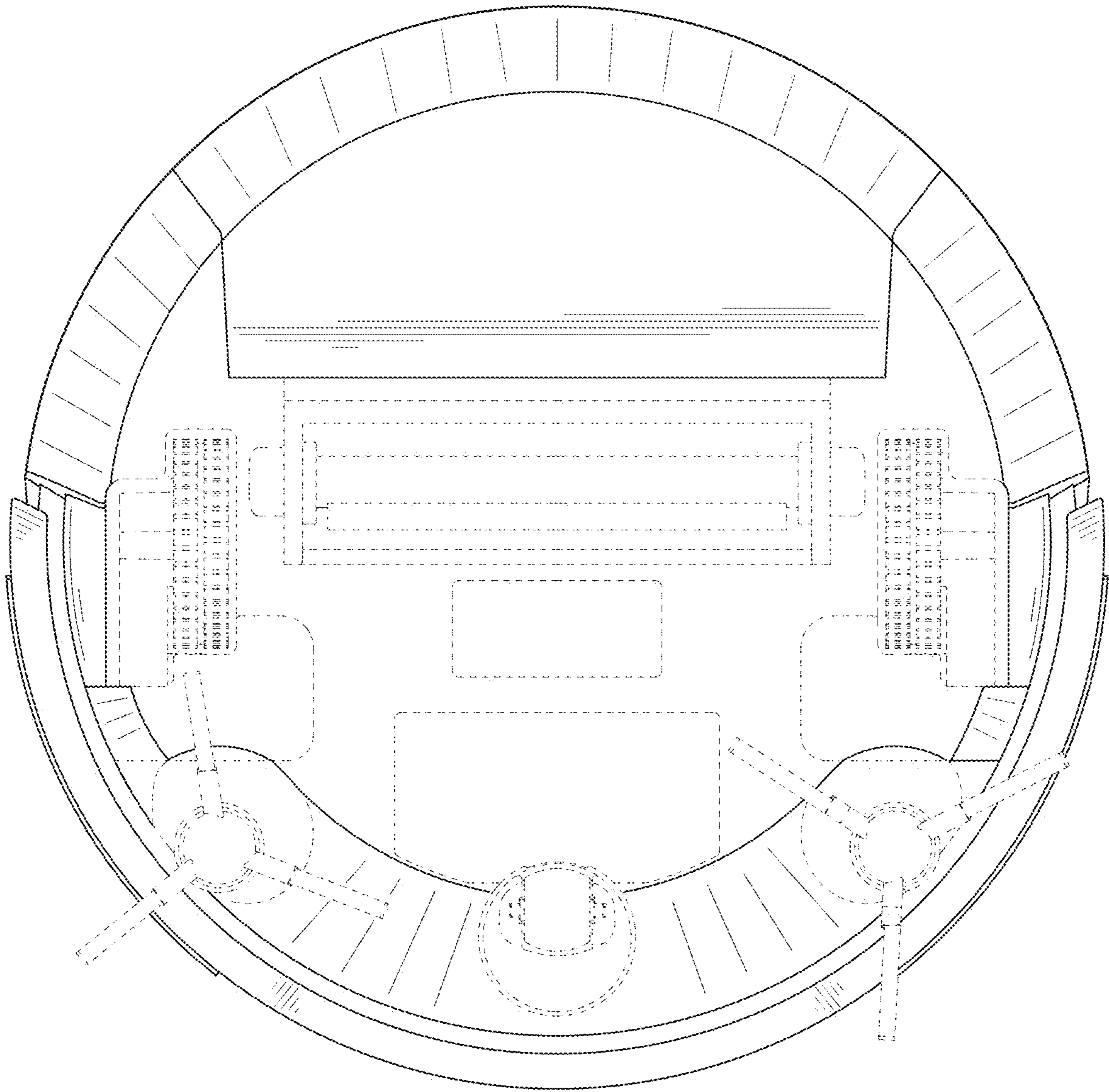


Fig. 4

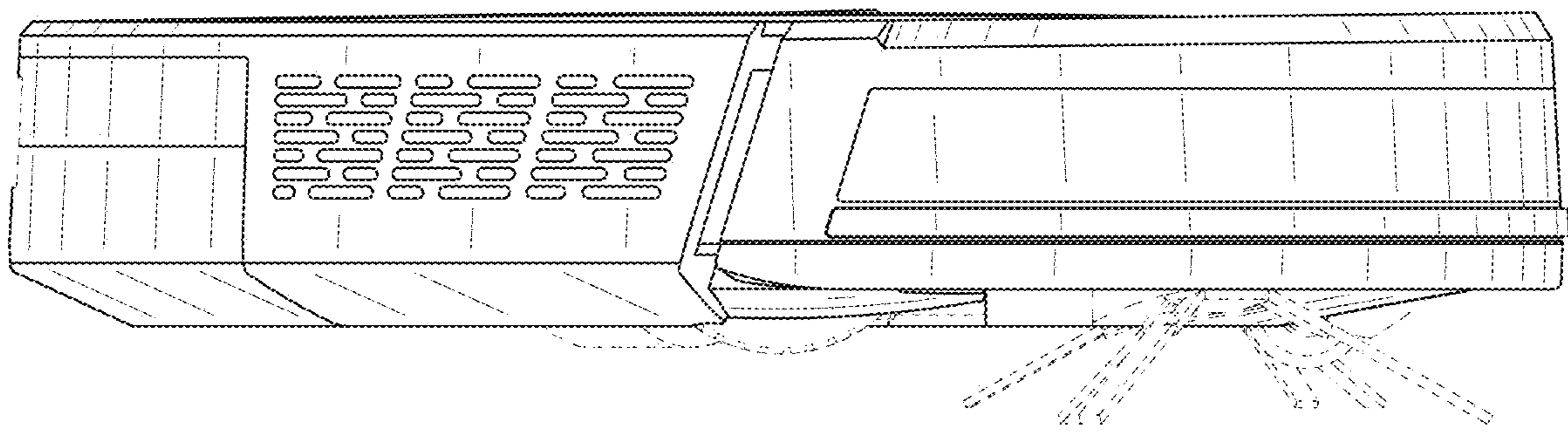


Fig. 5

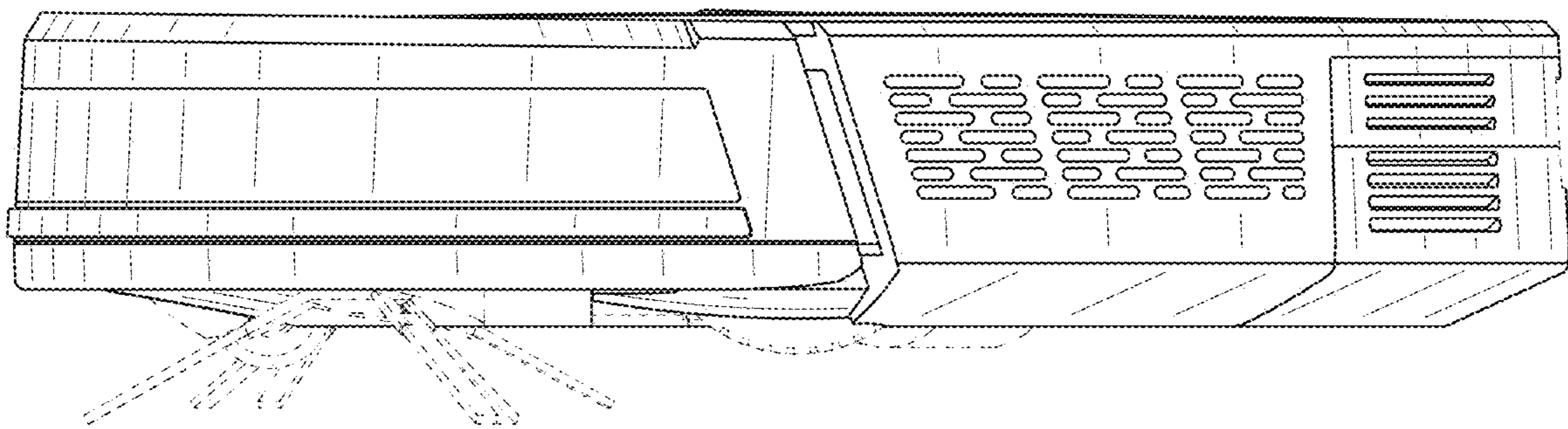


Fig. 6

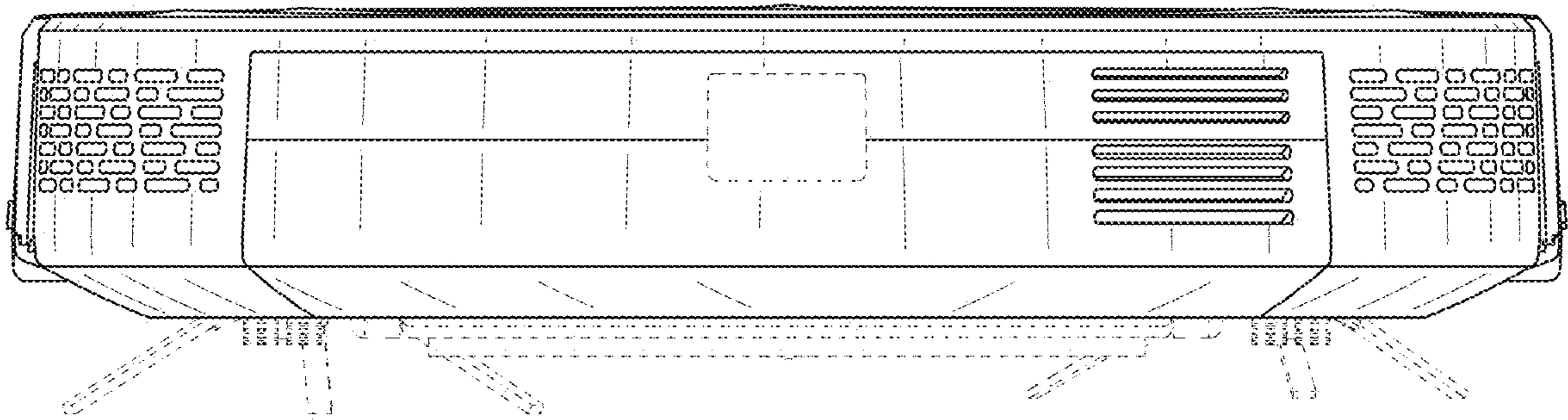


Fig. 7



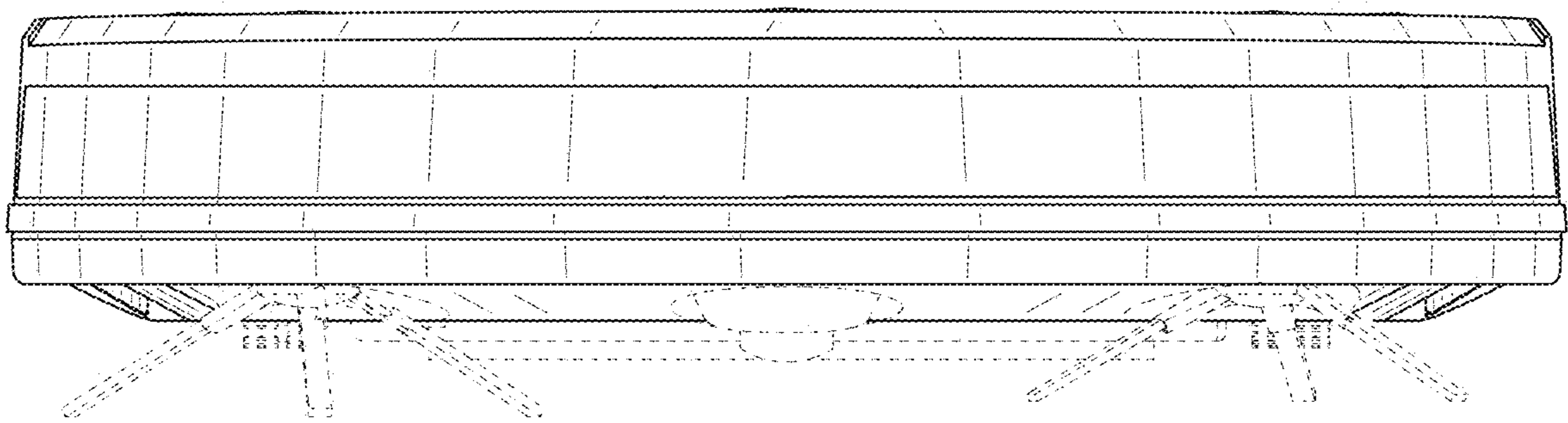


Fig. 8