



US00D870993S

(12) **United States Design Patent**
Fry

(10) **Patent No.:** **US D870,993 S**

(45) **Date of Patent:** **** Dec. 24, 2019**

(54) **VACUUM CLEANER**

(71) Applicant: **SHOP VAC CORPORATION,**
Williamsport, PA (US)

(72) Inventor: **Kevin D. Fry,** South Williamsport, PA
(US)

(73) Assignee: **SHOP VAC CORPORATION,**
Williamsport, PA (US)

(**) Term: **15 Years**

(21) Appl. No.: **29/648,805**

(22) Filed: **May 24, 2018**

(51) **LOC (12) Cl.** **15-05**

(52) **U.S. Cl.**
USPC **D32/21**

(58) **Field of Classification Search**
USPC D32/21-23, 31, 34
CPC . A47L 5/362; A47L 5/365; A47L 5/28; A47L
5/32; A47L 5/36; A47L 7/0004; A47L
7/0038; A47L 11/29; A47L 11/30
See application file for complete search history.

(56) **References Cited**

U.S. PATENT DOCUMENTS

D506,042 S * 6/2005 Griffin D32/21
D596,359 S * 7/2009 Hollis D32/21

D618,870 S * 6/2010 Williams D32/24
D619,770 S * 7/2010 Moore, Jr. D32/24
D834,775 S * 11/2018 Griffin D32/21

* cited by examiner

Primary Examiner — Ruth McInroy

(74) *Attorney, Agent, or Firm* — Marshall, Gerstein &
Borun LLP

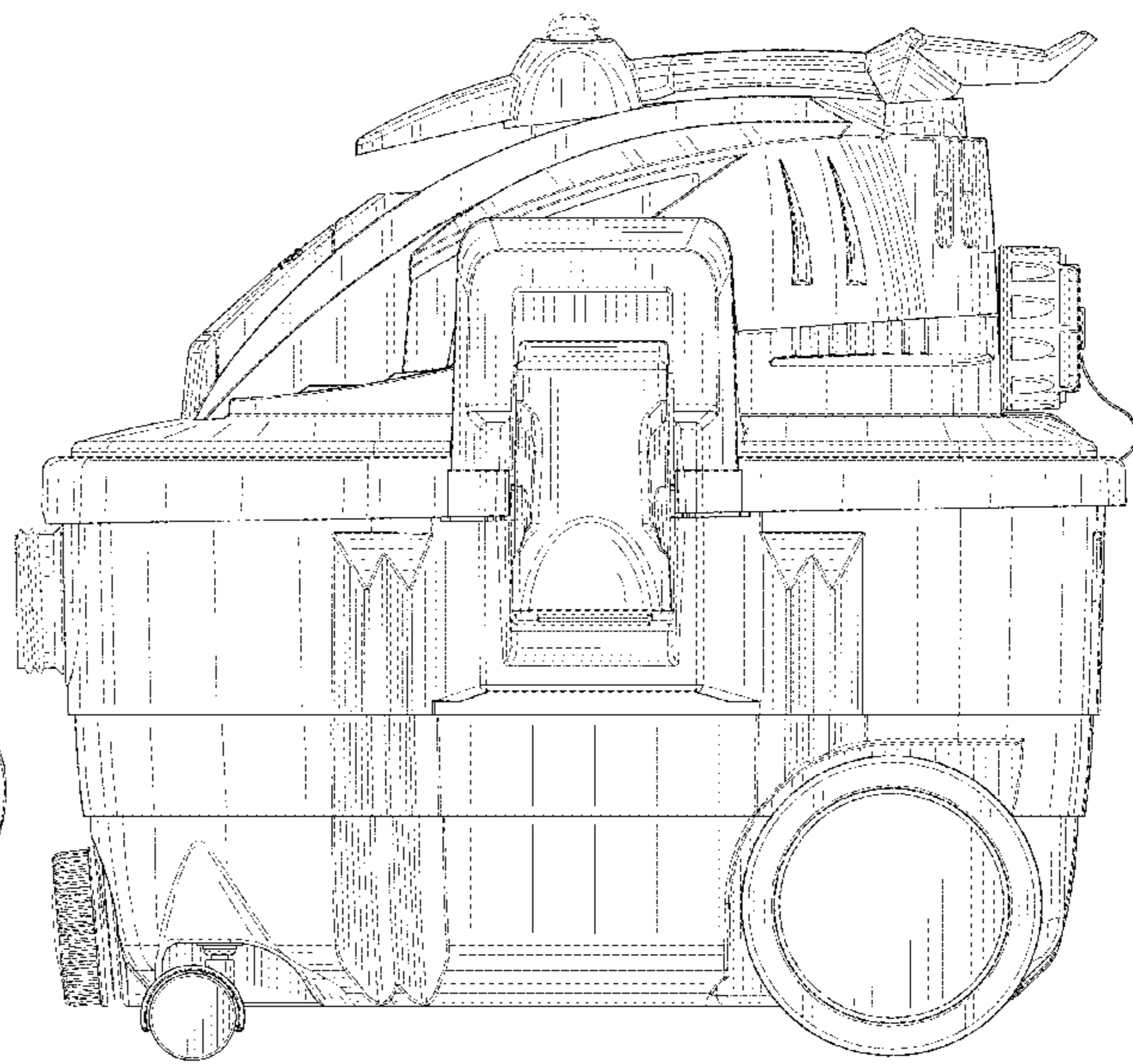
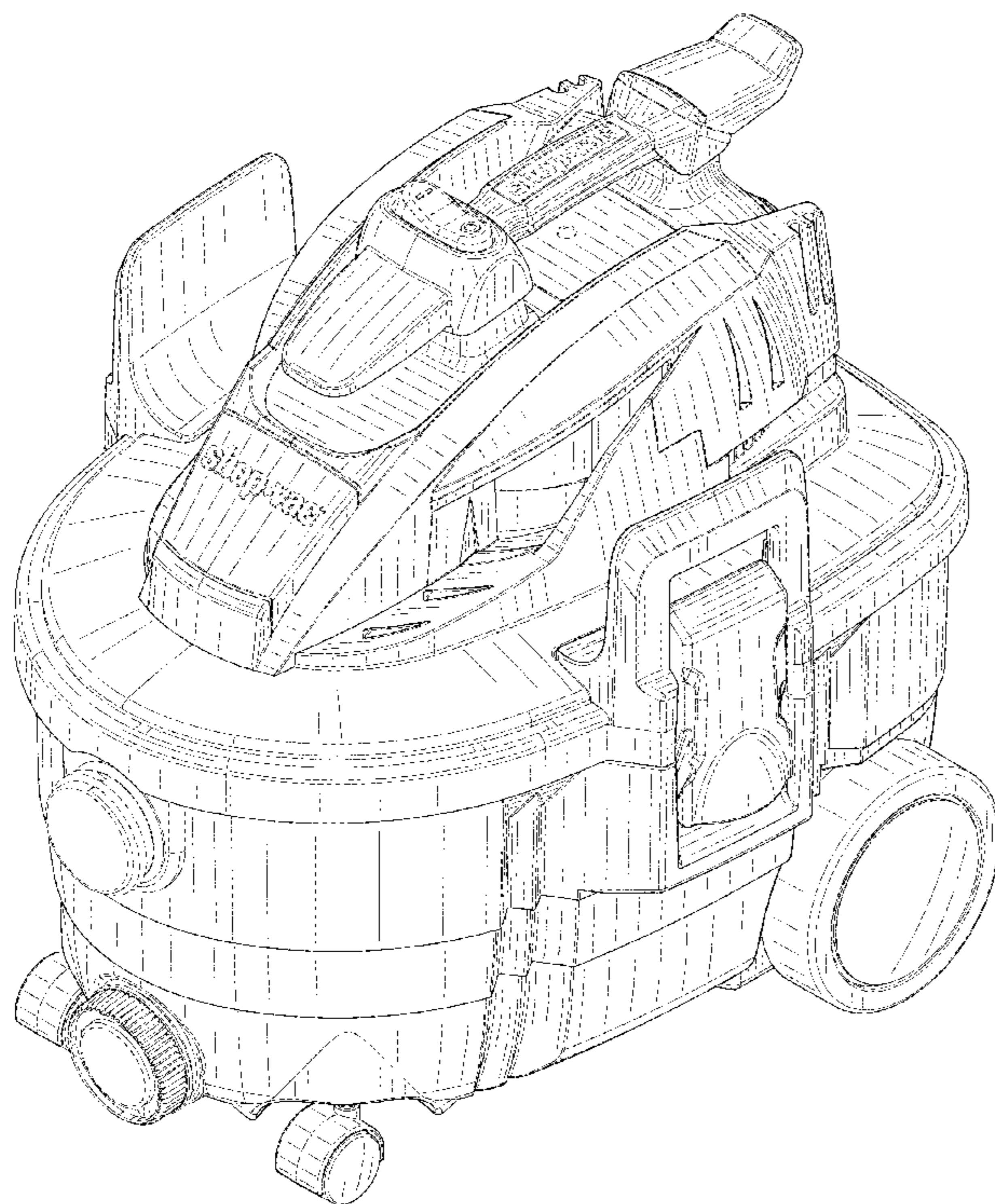
(57) **CLAIM**

The ornamental design for a vacuum cleaner, as shown and described.

DESCRIPTION

FIG. 1 is a top, front and right-side perspective view of a vacuum cleaner showing my new design;
FIG. 2 is a front view thereof;
FIG. 3 is a right-side view thereof; the left side being a mirror image;
FIG. 4 is a rear view thereof; and,
FIG. 5 is a top view thereof.
The details shown in broken lines form no part of the claimed design.

1 Claim, 5 Drawing Sheets



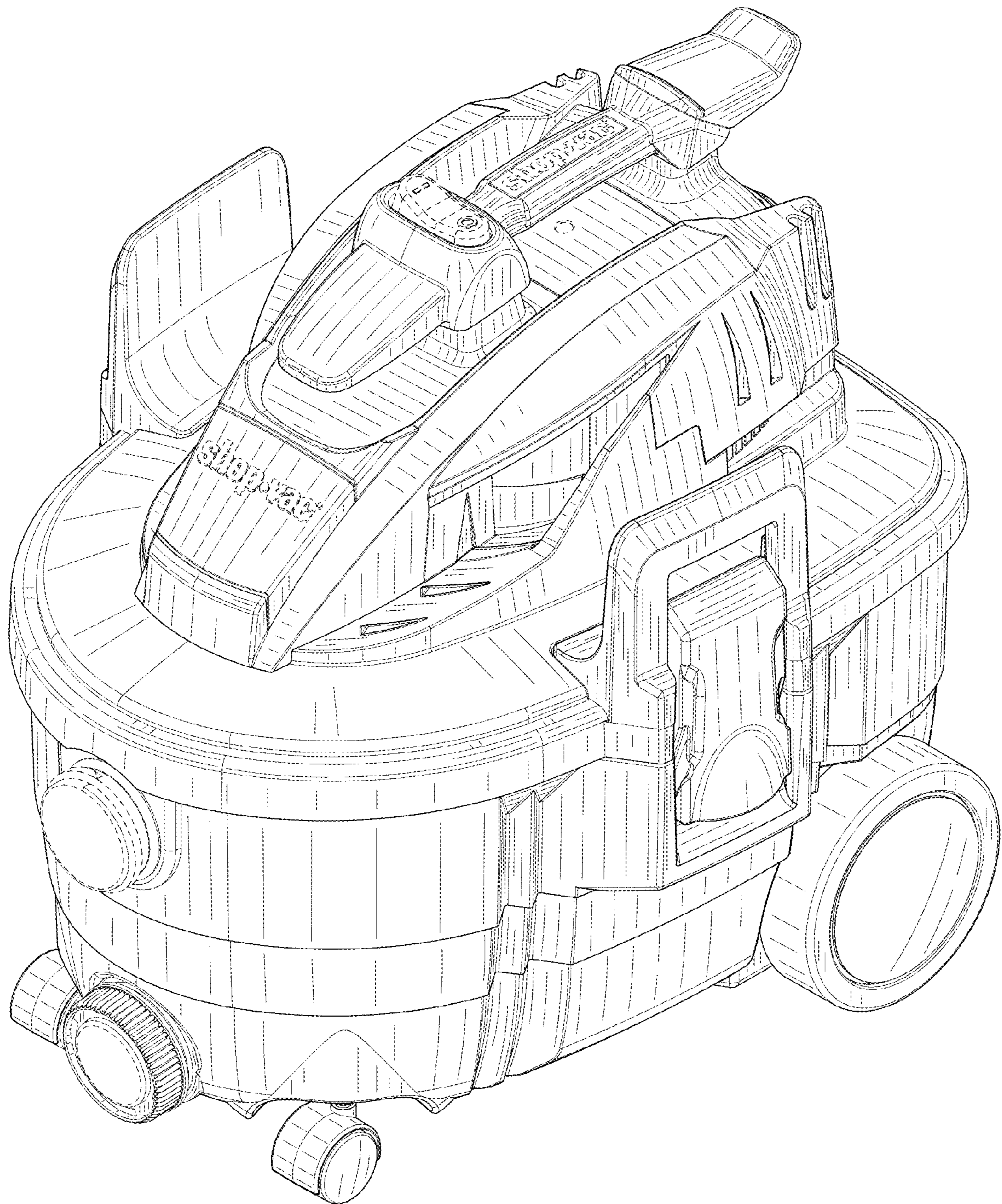


FIG. 1

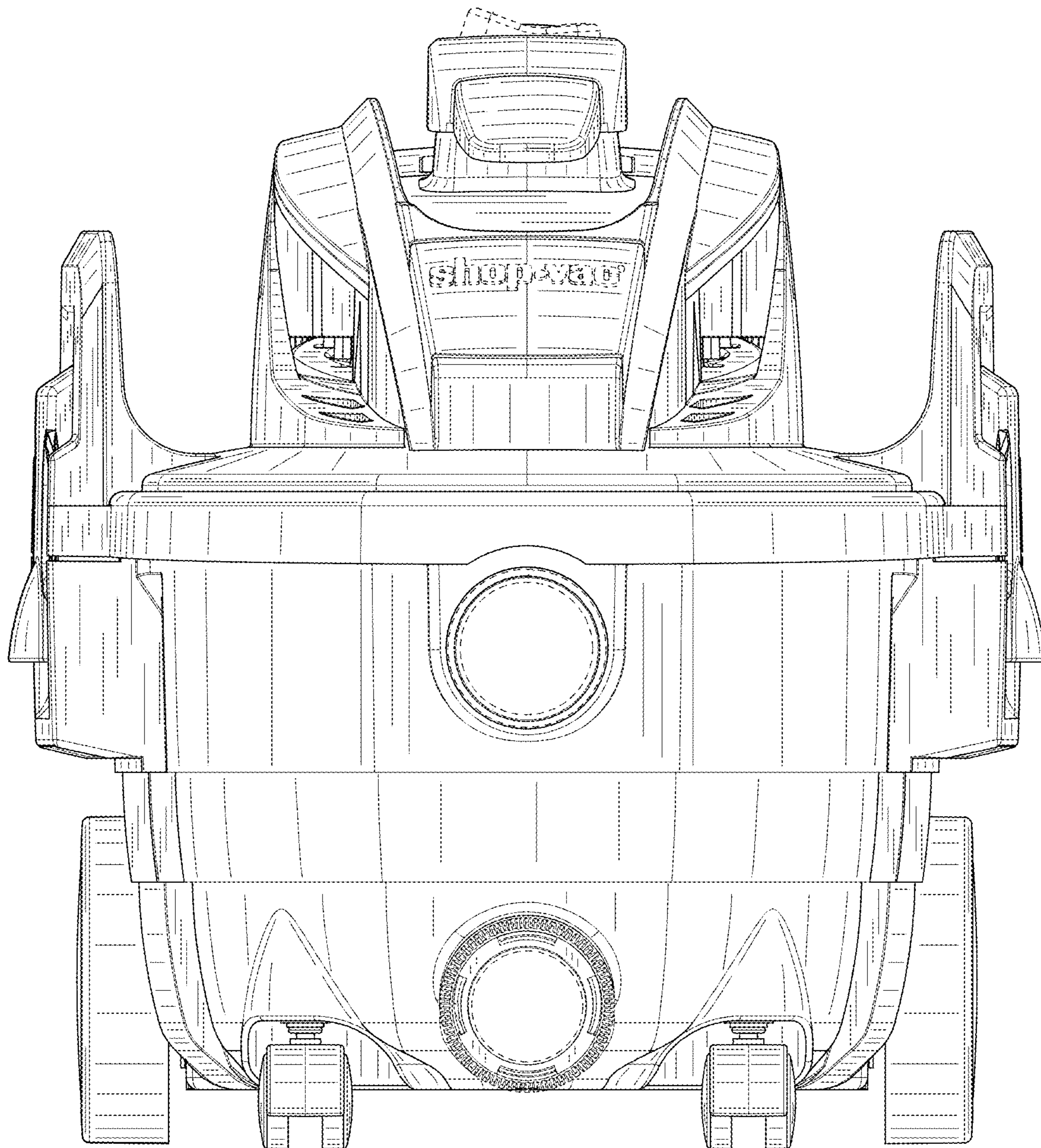


FIG. 2

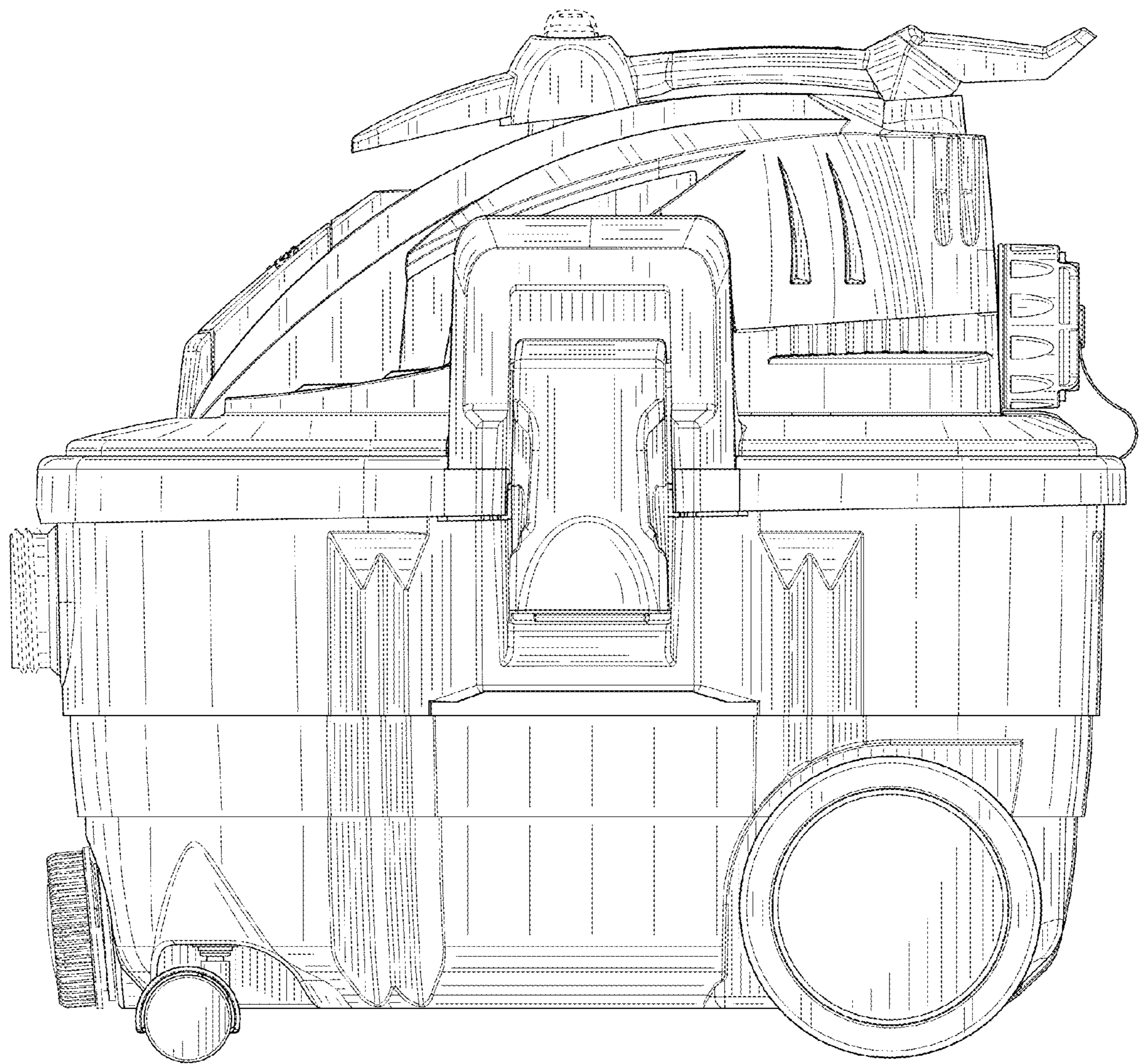


FIG. 3

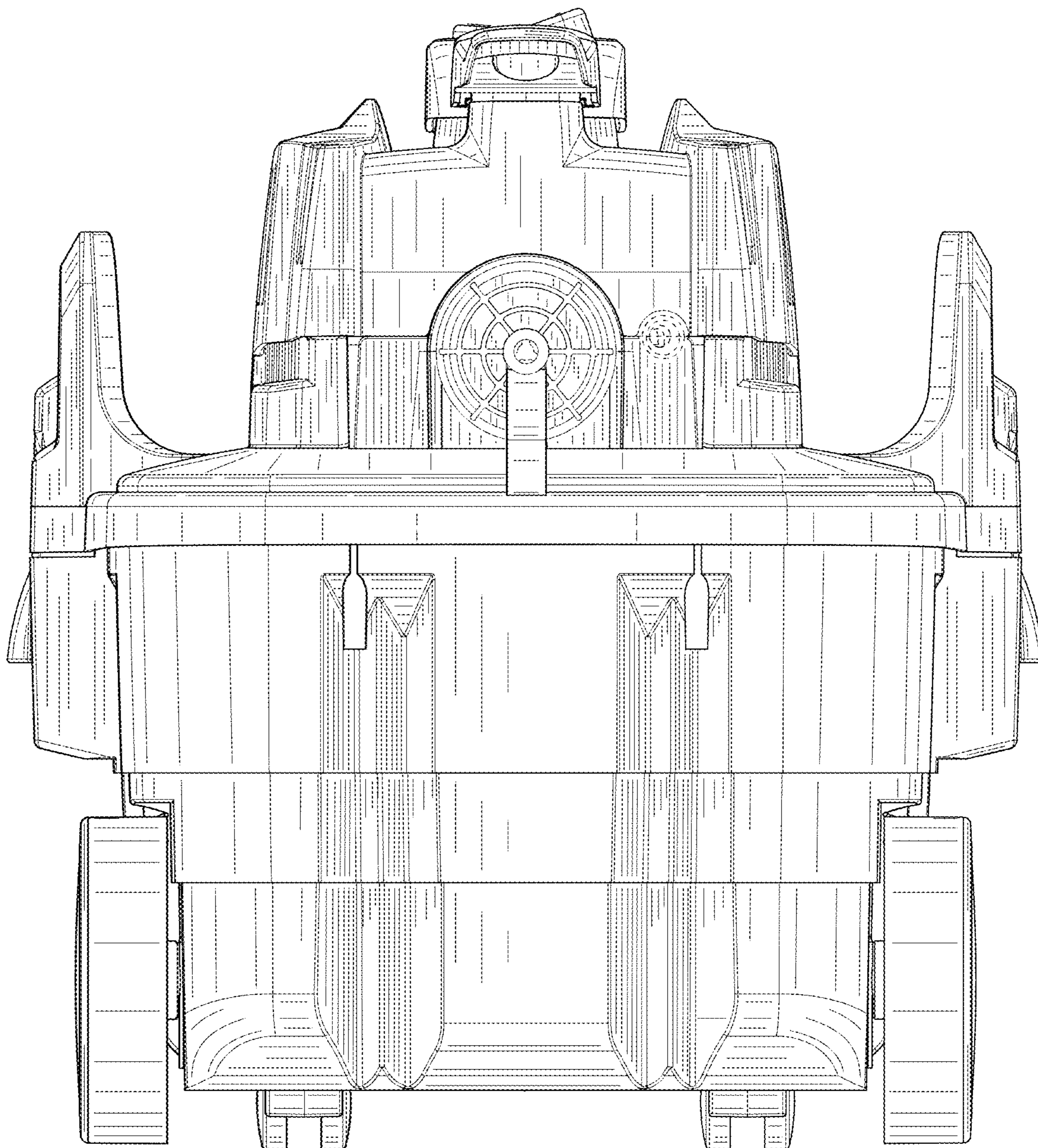


FIG. 4

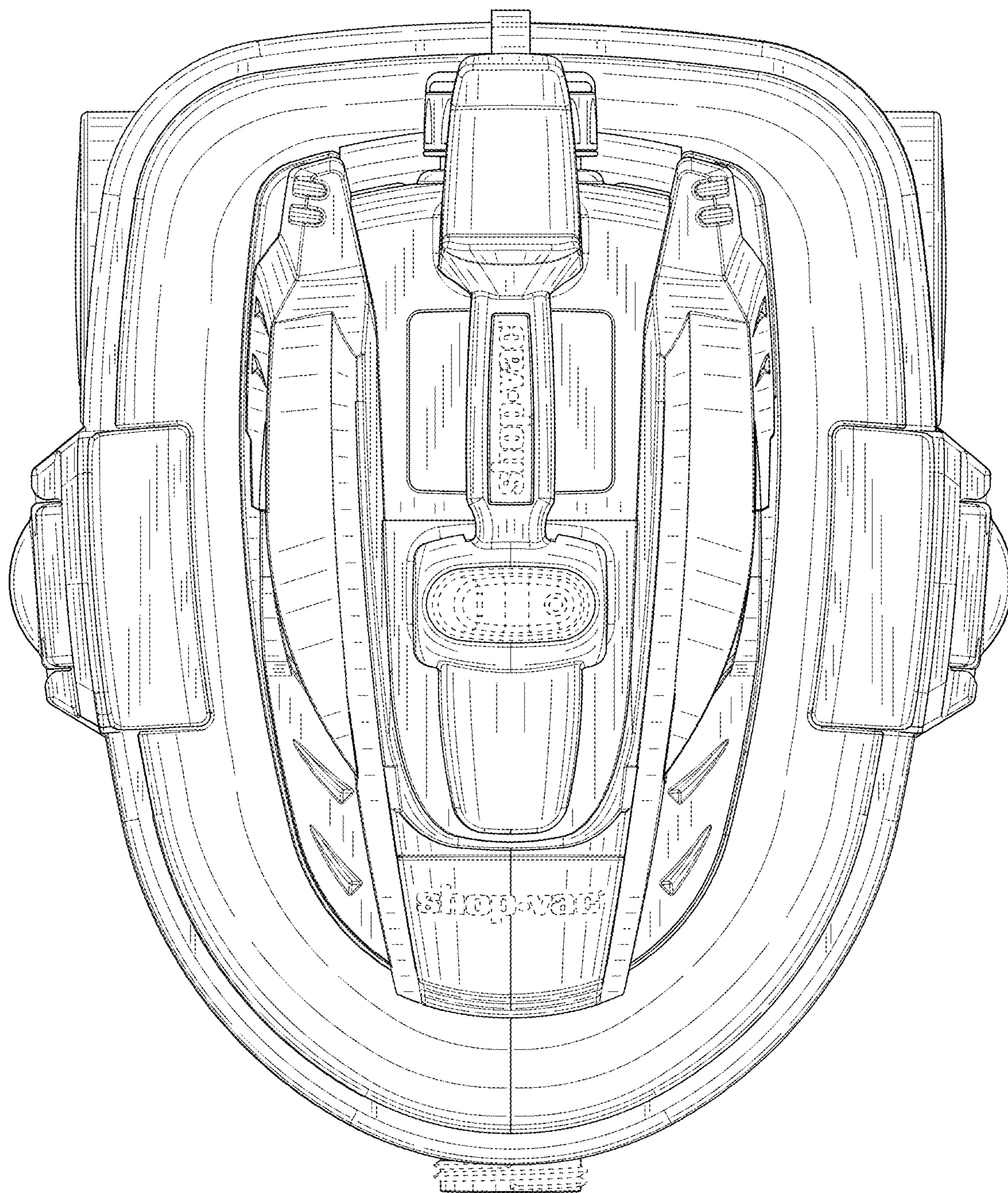


FIG. 5