



US00D870992S

(12) **United States Design Patent**  
**Jobb**

(10) **Patent No.:** **US D870,992 S**

(45) **Date of Patent:** **\*\* Dec. 24, 2019**

- (54) **ROLL WASHER**
- (71) Applicant: **Walter Jobb**, Frankfurt (DE)
- (72) Inventor: **Walter Jobb**, Frankfurt (DE)
- (\*\*) Term: **15 Years**
- (21) Appl. No.: **29/629,018**
- (22) Filed: **Dec. 11, 2017**
- (51) **LOC (12) Cl.** ..... **15-05**
- (52) **U.S. Cl.**  
USPC ..... **D32/17**
- (58) **Field of Classification Search**  
USPC ..... D32/17, 18, 22, 31, 35, 45, 52, 1, 40;  
15/321  
CPC ... A47L 5/24; A47L 5/362; A47L 5/36; A47L  
5/28; A47L 9/102; A47L 9/1683; A47L  
1/05; A47L 1/06; A47L 1/08; A47L  
1/095; B01D 50/002  
See application file for complete search history.

- 8,220,098 B2 \* 7/2012 Wilkins ..... A46B 11/066  
137/268
- D675,799 S \* 2/2013 Beij ..... D32/40
- 8,458,853 B2 \* 6/2013 Charlton ..... A47L 11/4036  
15/321
- D696,826 S \* 12/2013 Seehoff ..... D32/35
- 9,021,654 B2 \* 5/2015 Fischer ..... A47L 1/05  
15/320
- D752,833 S \* 3/2016 Espin ..... D32/35
- 9,808,133 B2 \* 11/2017 Lubbers ..... A47L 1/05
- 9,974,420 B2 \* 5/2018 Dietz ..... A47L 1/06
- D828,665 S \* 9/2018 Helfert ..... D32/40
- D830,026 S \* 10/2018 Helfert ..... D32/40
- 10,219,671 B2 \* 3/2019 Manning ..... A47L 1/05
- 10,258,207 B2 \* 4/2019 Stewen ..... A47L 1/05

\* cited by examiner

*Primary Examiner* — Ruth McInroy

(74) *Attorney, Agent, or Firm* — Furr Law Firm; Jeffrey Furr, Esq.

(57) **CLAIM**

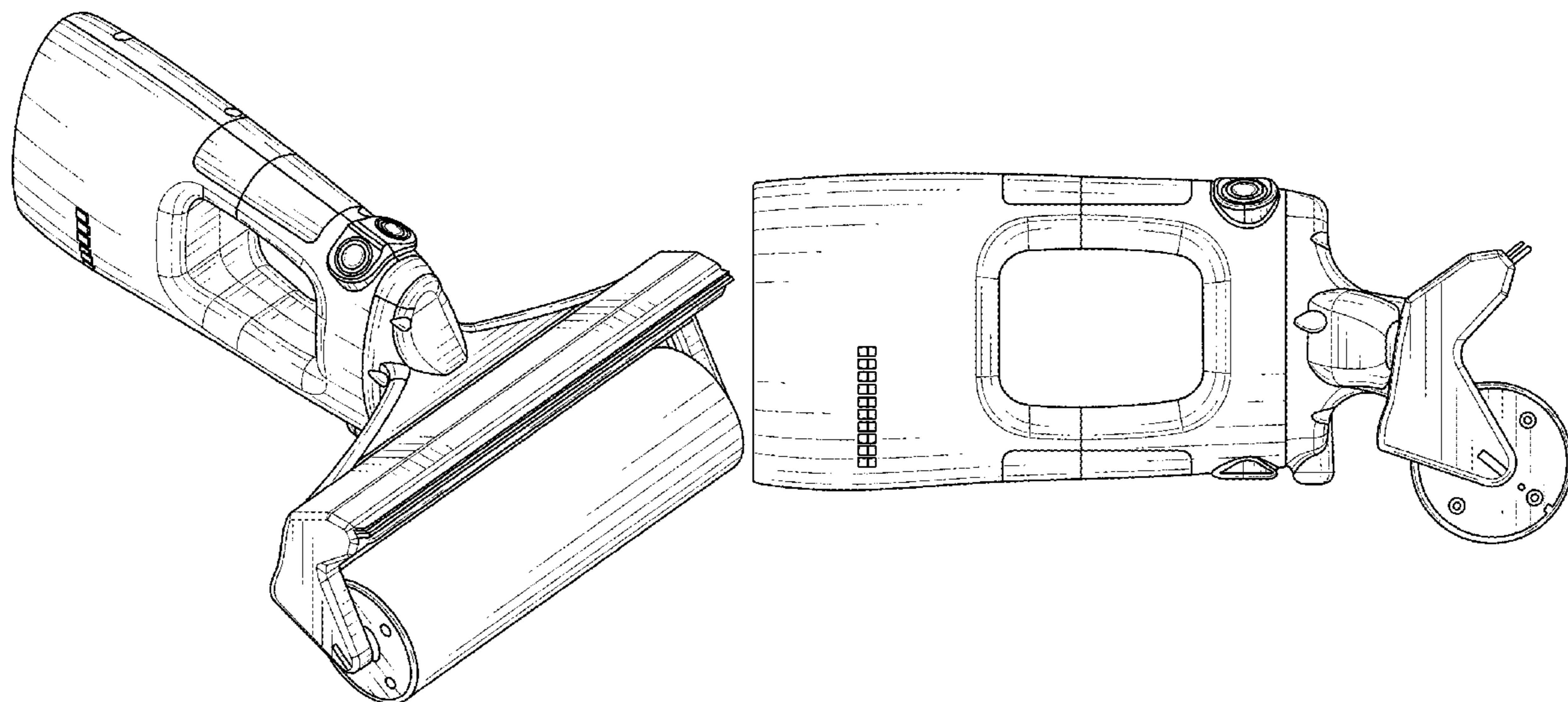
The ornamental design for a roll washer, as shown and described.

**DESCRIPTION**

FIG. 1 is a rear and right-side perspective view of a roll washer showing my new design;  
 FIG. 2 is a front and right-side perspective view thereof;  
 FIG. 3 is a top view thereof;  
 FIG. 4 is a bottom view thereof;  
 FIG. 5 is a left view thereof;  
 FIG. 6 is a right view thereof;  
 FIG. 7 is a front view thereof; and,  
 FIG. 8 is a rear view thereof.

**1 Claim, 8 Drawing Sheets**

- (56) **References Cited**  
U.S. PATENT DOCUMENTS
- D167,062 S \* 6/1952 Touney ..... D18/12
- D368,343 S \* 3/1996 Gebhard ..... D24/215
- D393,116 S \* 3/1998 Kajimoto ..... D32/40
- D396,906 S \* 8/1998 Medici ..... 15/230.11
- 5,799,362 A \* 9/1998 Huffman ..... A47L 1/08  
15/321
- D409,342 S \* 5/1999 Kajimoto ..... D32/40
- 6,036,388 A \* 3/2000 Atcher ..... A47L 13/51  
15/121
- D605,821 S \* 12/2009 Shaanan ..... D32/35



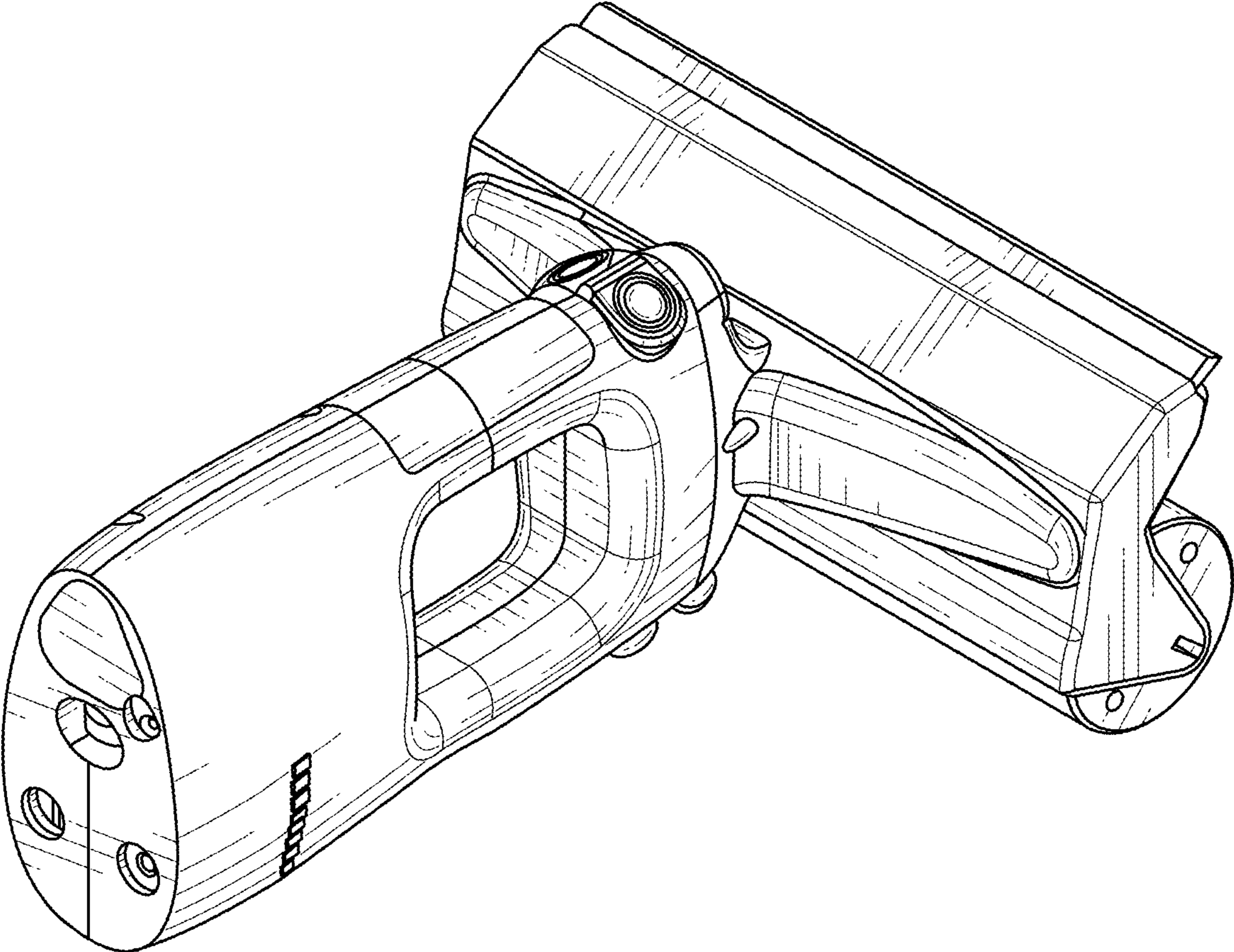


FIG. 1

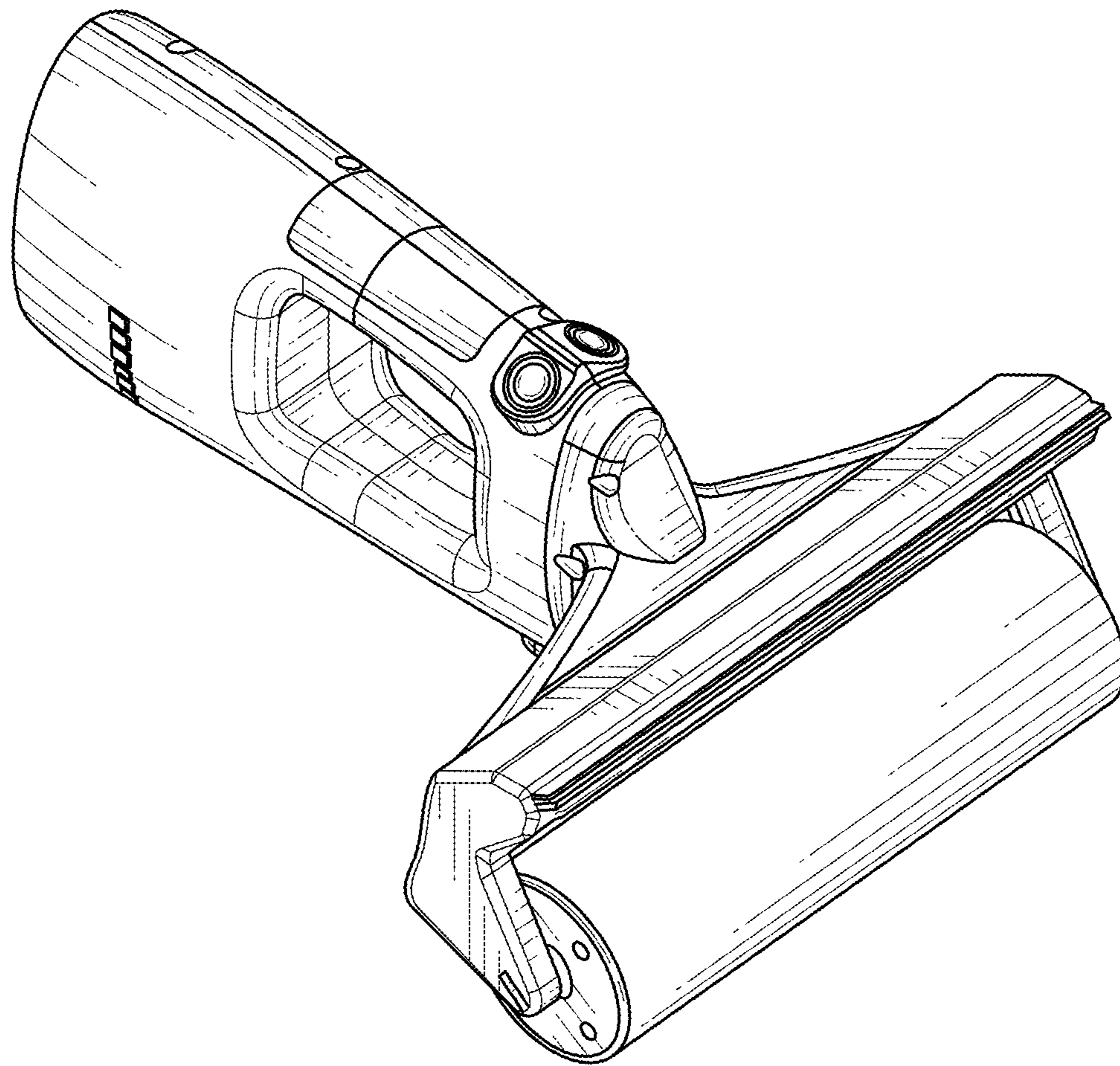


FIG. 2

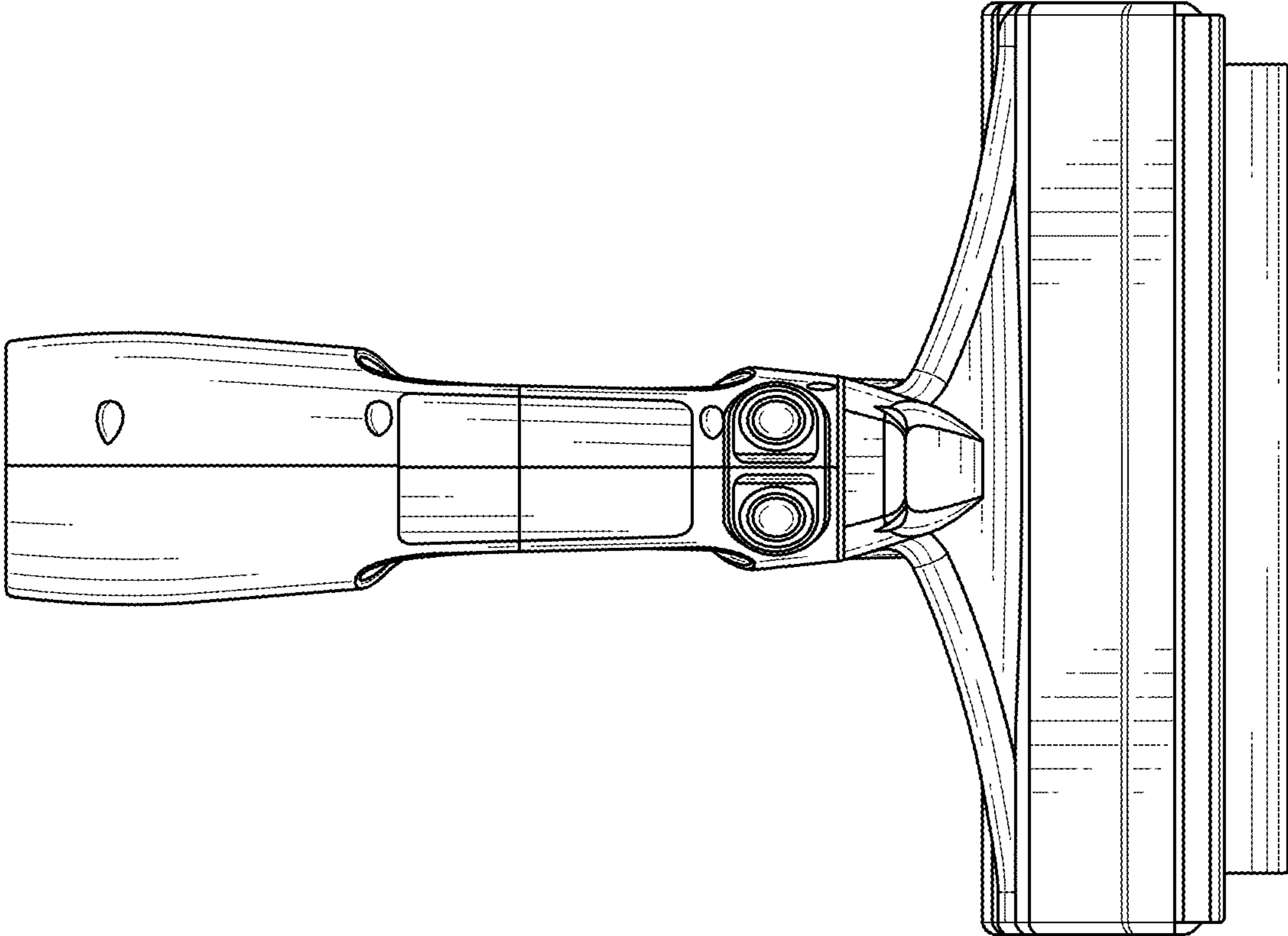


FIG. 3

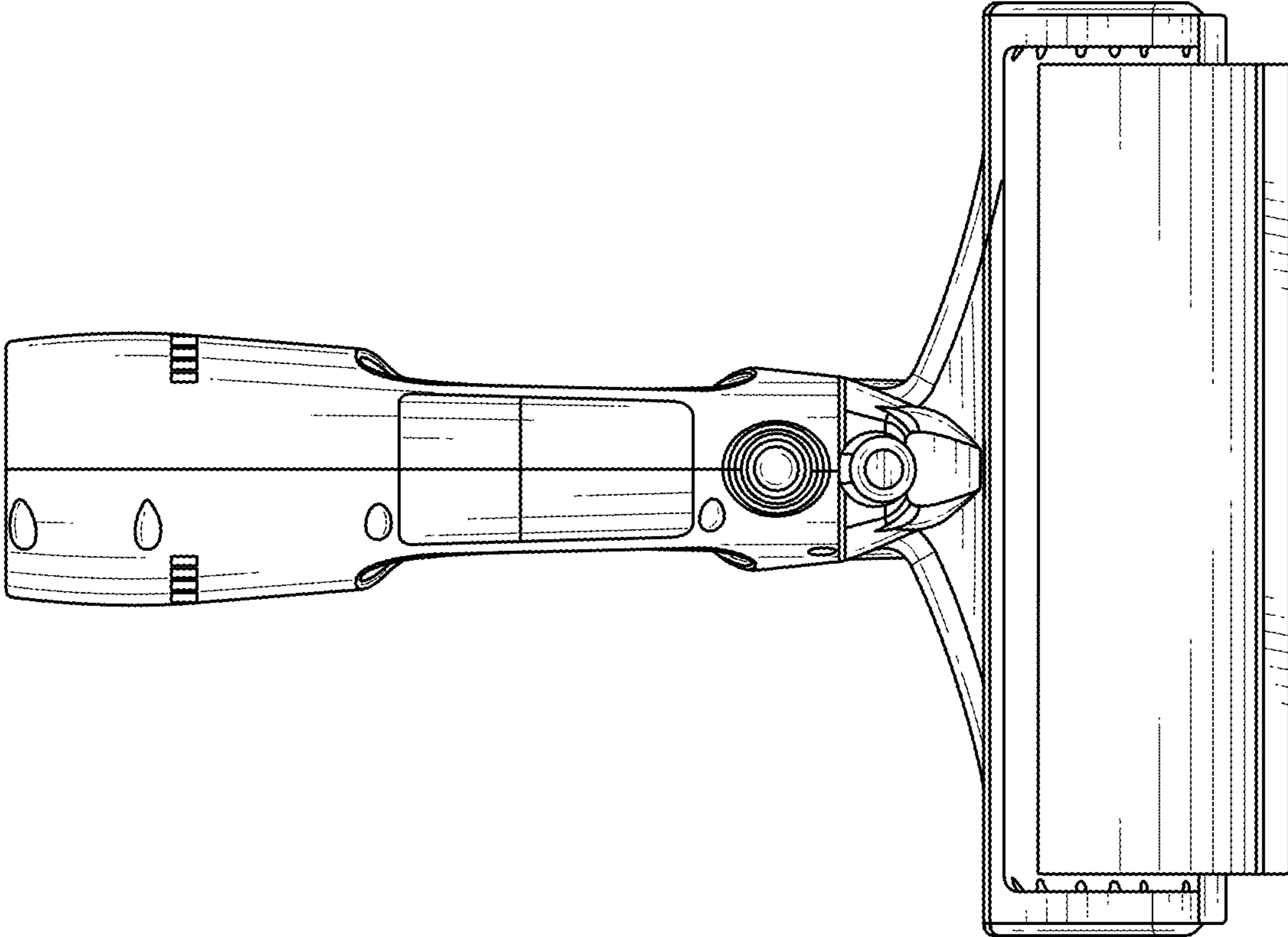


FIG. 4

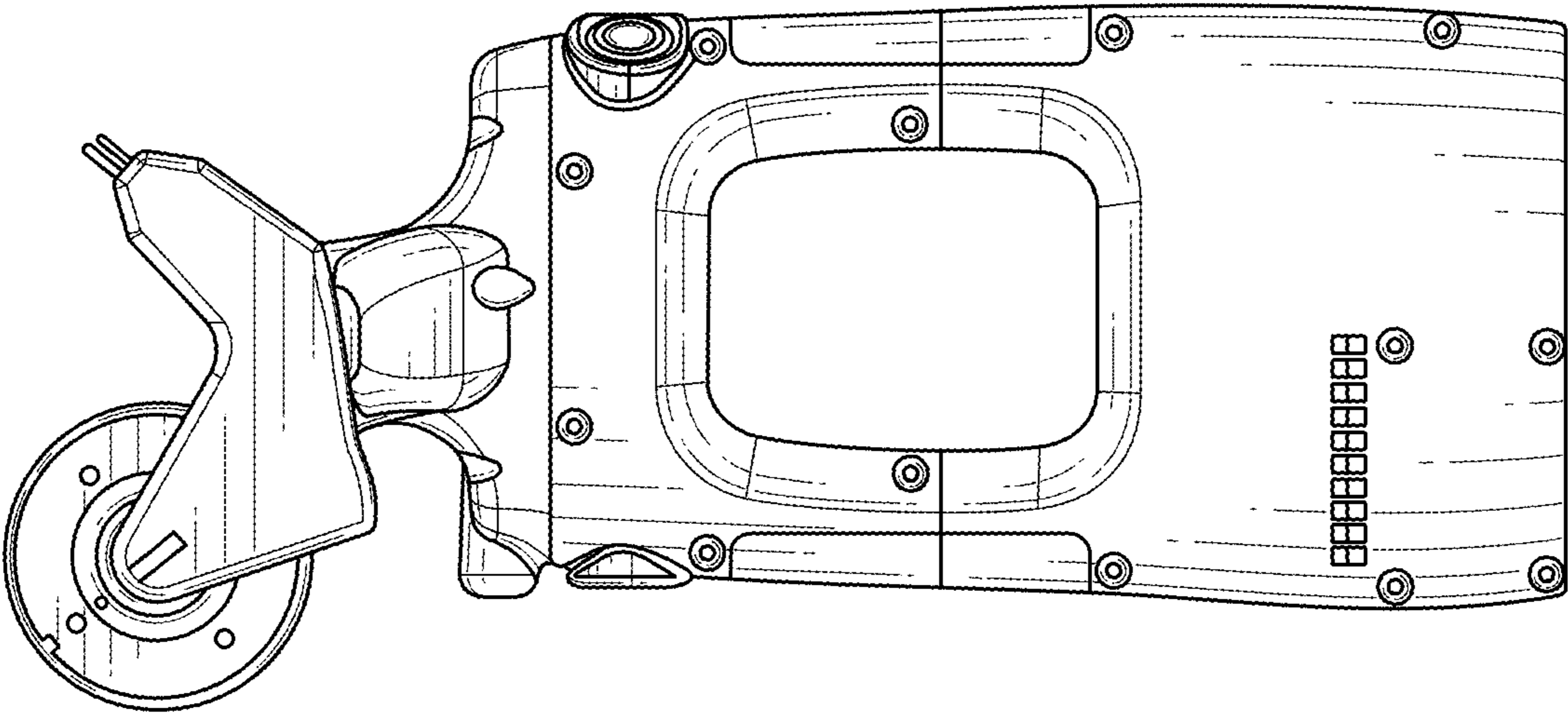


FIG. 5

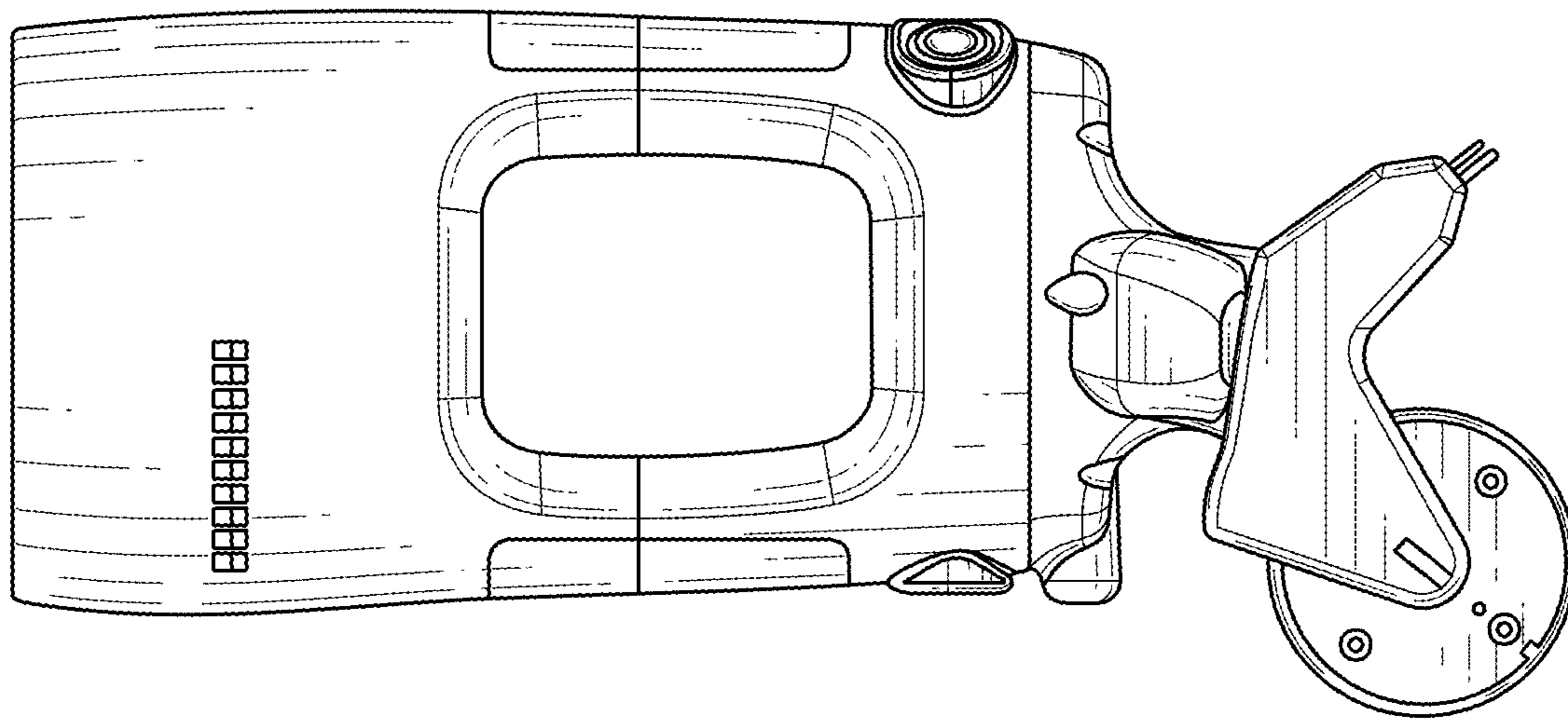


FIG. 6

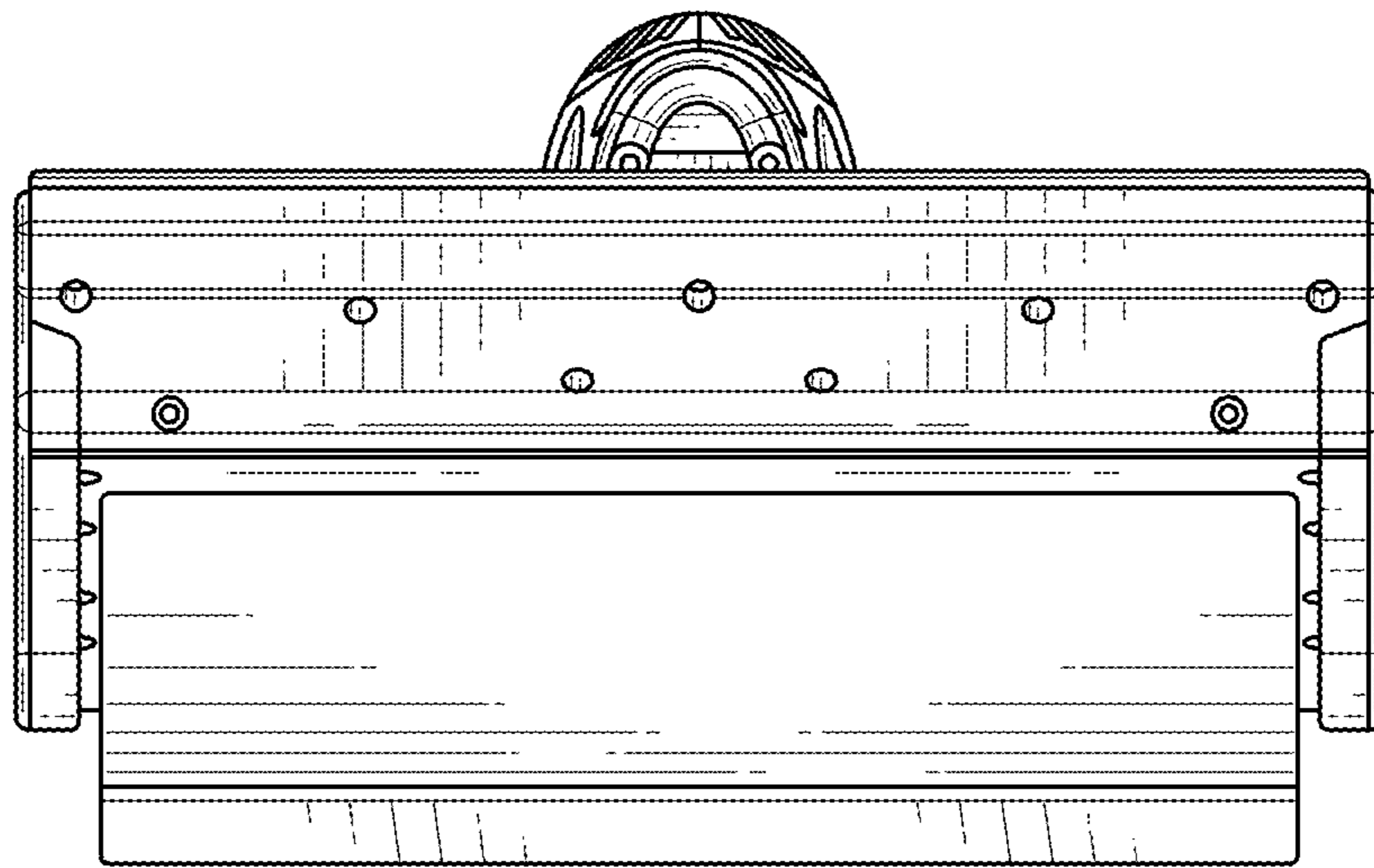


FIG. 7



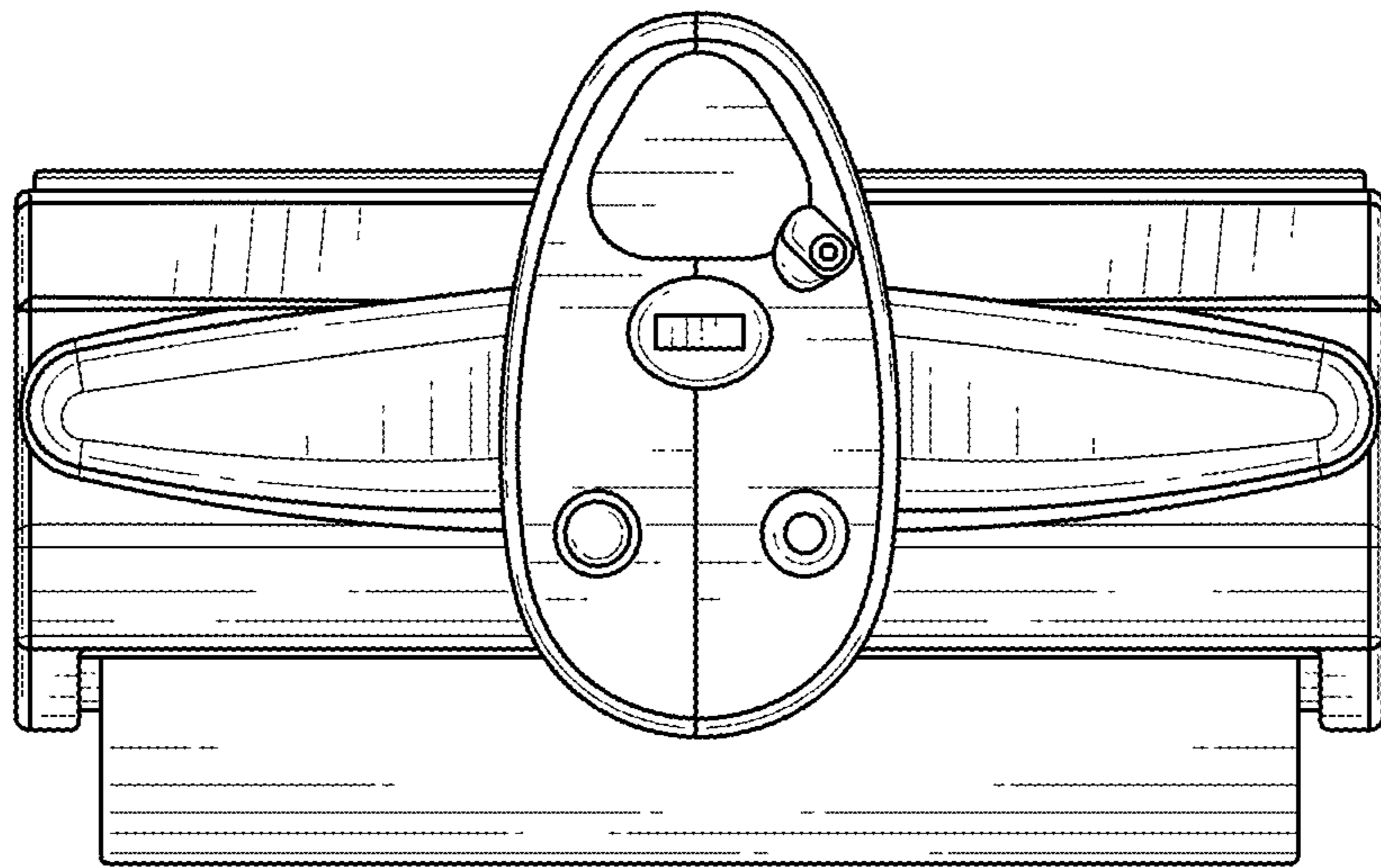


FIG. 8