



US00D870991S

(12) **United States Design Patent** (10) **Patent No.:** **US D870,991 S**
Baxter (45) **Date of Patent:** **** Dec. 24, 2019**

- (54) **SWEEPER**
- (71) Applicant: **BLACK & DECKER INC.**, New Britain, CT (US)
- (72) Inventor: **Mark Baxter**, New Castle-upon-Tyne (GB)
- (73) Assignee: **Black & Decker, Inc.**, New Britain, CT (US)
- (**) Term: **15 Years**
- (21) Appl. No.: **29/602,602**
- (22) Filed: **May 2, 2017**
- (30) **Foreign Application Priority Data**
- Nov. 11, 2016 (EC) 003460013
- (51) **LOC (12) Cl.** **15-05**
- (52) **U.S. Cl.**
USPC **D32/15; D32/38**
- (58) **Field of Classification Search**
USPC D32/15, 16, 21, 22, 31-33, 38-39
CPC A47L 11/33; A47L 9/0411; A47L 9/04
See application file for complete search history.
- (56) **References Cited**
- U.S. PATENT DOCUMENTS
- 1,420,830 A * 6/1922 Frankenstein A47L 11/33
15/48
- 1,583,192 A * 5/1926 Shorrock A47L 11/33
15/48
- 1,813,325 A * 7/1931 Smith A47L 11/33
15/41.1
- 2,001,982 A * 5/1935 Smith A47L 11/33
15/48
- 2,050,361 A * 8/1936 Milligan A47L 11/33
15/41.1

- 2,302,275 A * 11/1942 Thiele A47L 11/33
15/48
- 2,371,918 A * 3/1945 Rubin A47L 11/33
15/41.1
- 2,793,378 A * 5/1957 Williams A47L 11/33
15/45
- 2,918,687 A * 12/1959 Lathrop A47L 11/33
15/392
- 3,184,775 A * 5/1965 Downey A47L 9/0411
15/23
- 3,401,415 A * 9/1968 Vanderveer A47L 11/33
15/42
- 3,517,404 A * 6/1970 Leifheit A47L 11/33
15/42
- 3,774,257 A * 11/1973 Smyth A47L 11/33
15/48
- 3,786,532 A * 1/1974 Lindsay A47L 9/04
15/364
- 3,800,351 A * 4/1974 Fukuba A47L 11/33
15/144.1
- 4,028,765 A * 6/1977 Liebscher A47L 11/33
15/42
- 4,102,000 A * 7/1978 Liebscher A47L 11/33
15/41.1
- D274,663 S * 7/1984 Patzold D32/38
- (Continued)

Primary Examiner — Michelle E. Wilson
 (74) *Attorney, Agent, or Firm* — John Yun

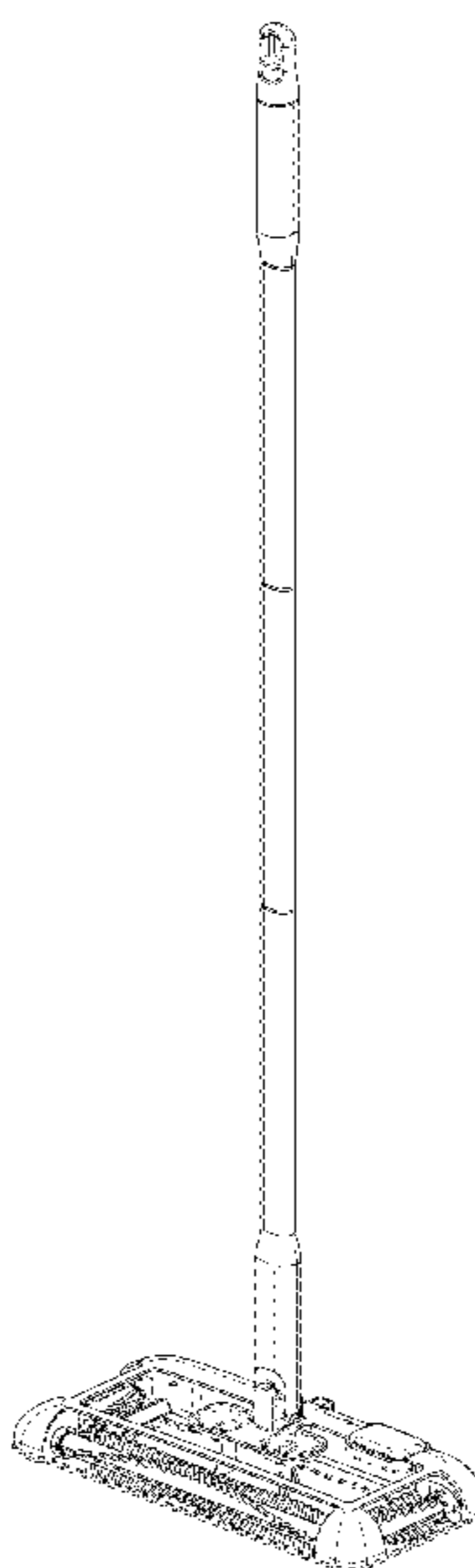
(57) **CLAIM**

The ornamental design for a sweeper, as shown and described.

DESCRIPTION

FIG. 1 is a perspective view of a sweeper;
 FIG. 2 is a front view thereof;
 FIG. 3 is a rear view thereof;
 FIG. 4 is a right side view thereof;
 FIG. 5 is a left side view thereof;
 FIG. 6 is a top view thereof; and,
 FIG. 7 is a bottom view thereof.

1 Claim, 7 Drawing Sheets



(56)

References Cited

U.S. PATENT DOCUMENTS

D293,142 S	*	12/1987	Kubota	D32/38
D342,812 S	*	12/1993	Reath	D32/31
D349,793 S	*	8/1994	Zahuranec	D32/38
D391,708 S	*	3/1998	Canavan	D32/38
D501,282 S	*	1/2005	Robertson	D32/38
D599,066 S	*	8/2009	Baker	D32/38

* cited by examiner

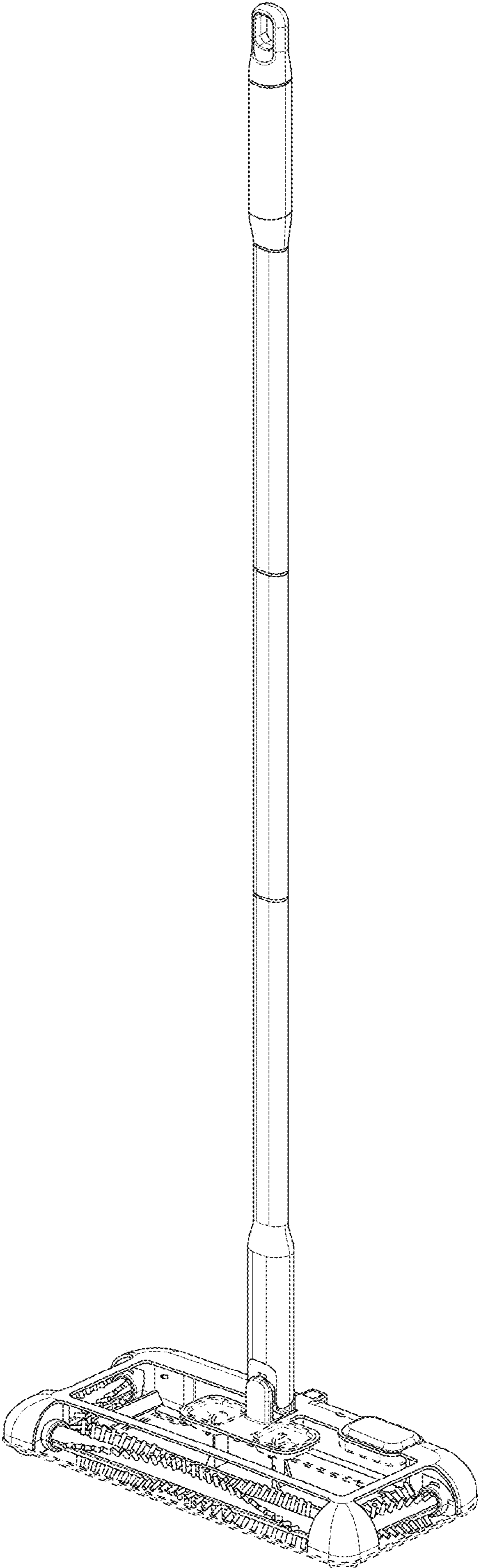


FIG. 1

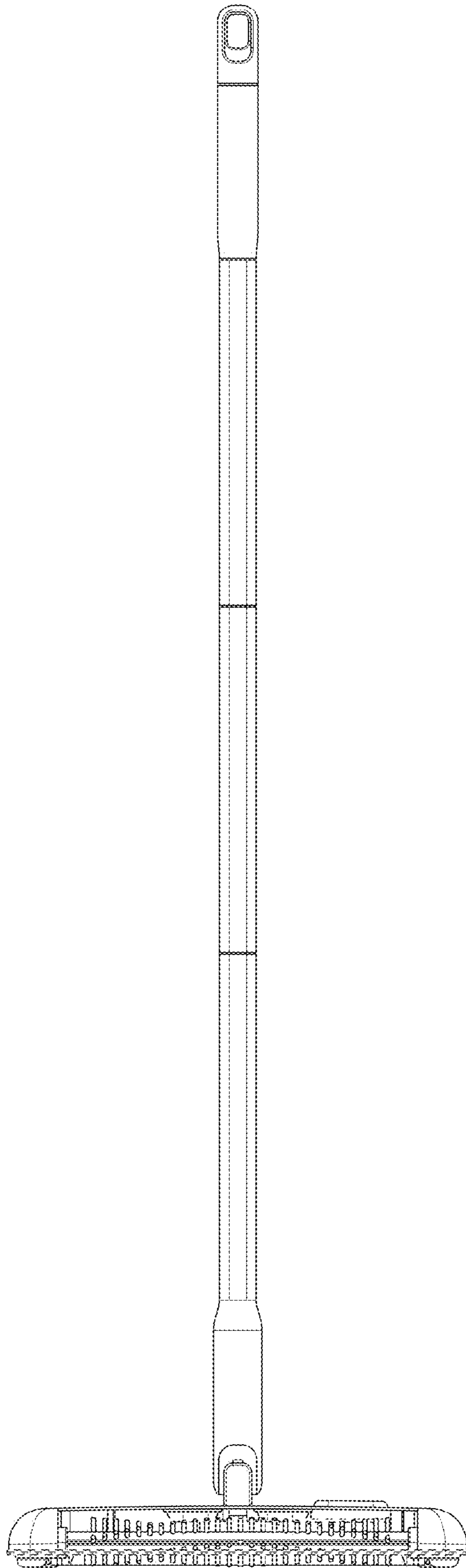


FIG. 2

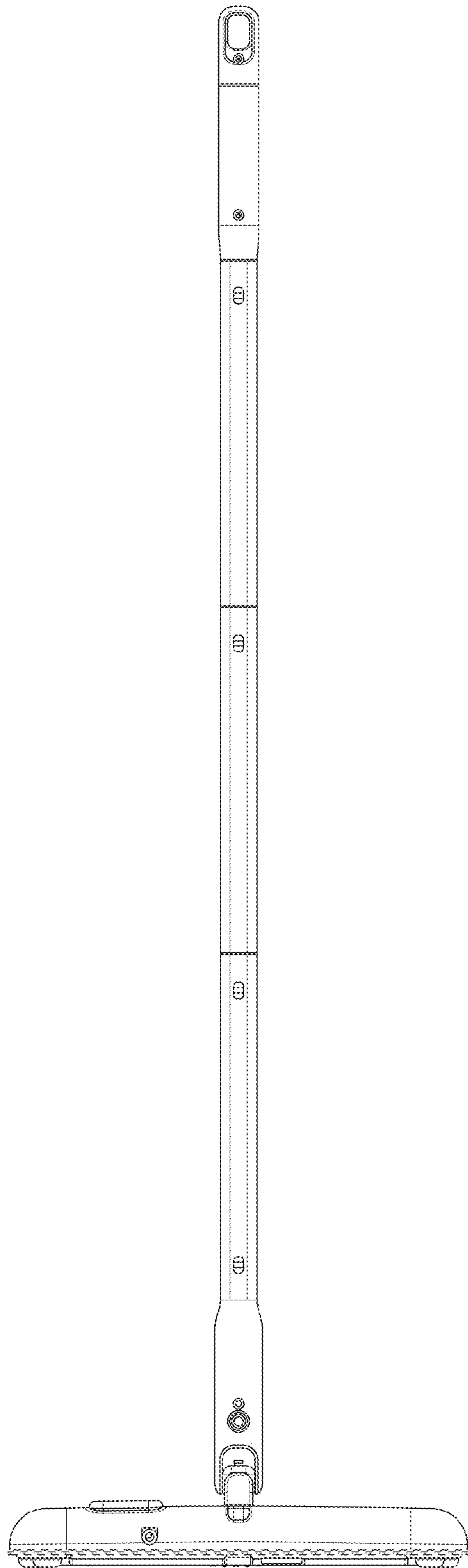


FIG. 3

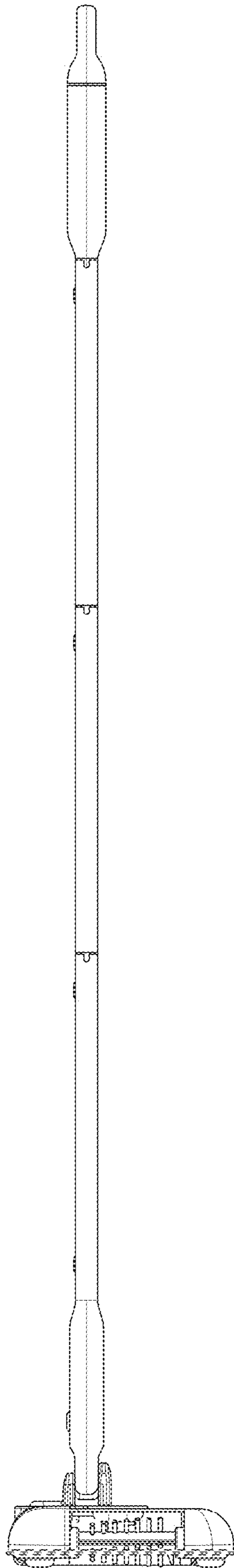


FIG. 4

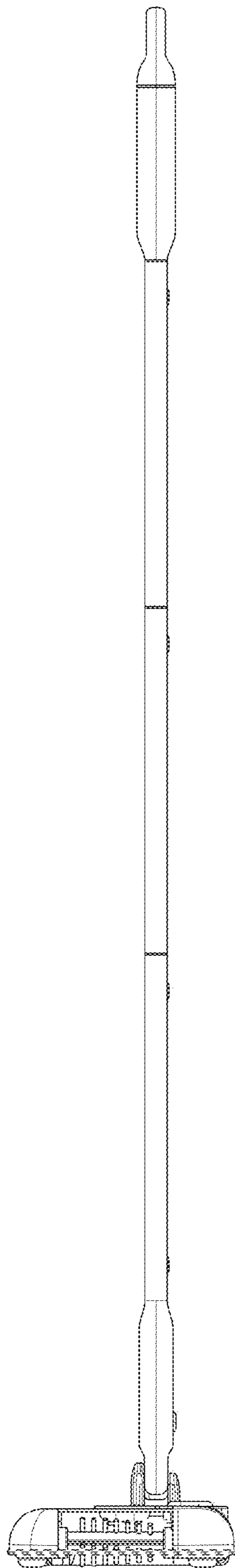


FIG. 5

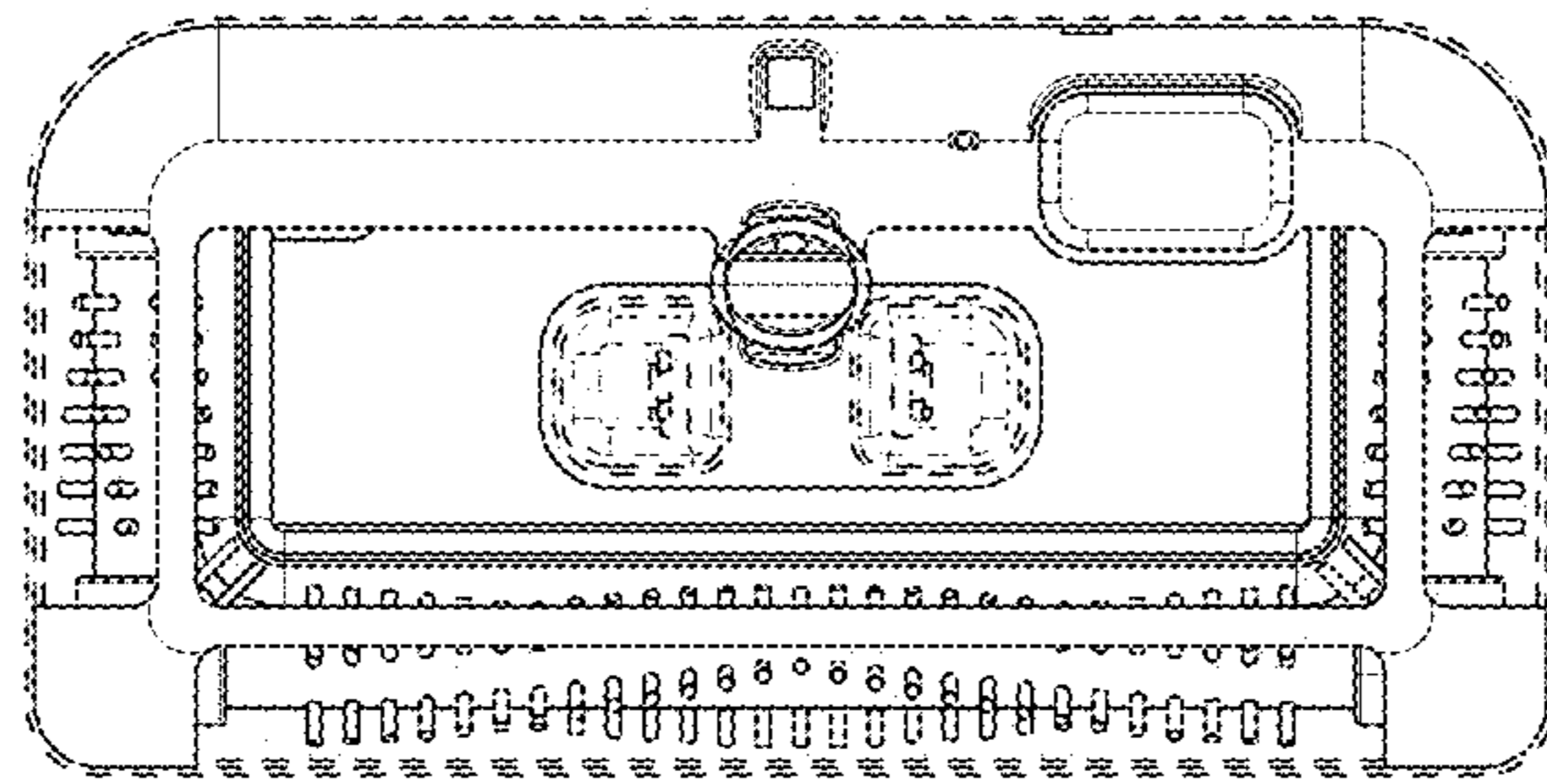


FIG. 6

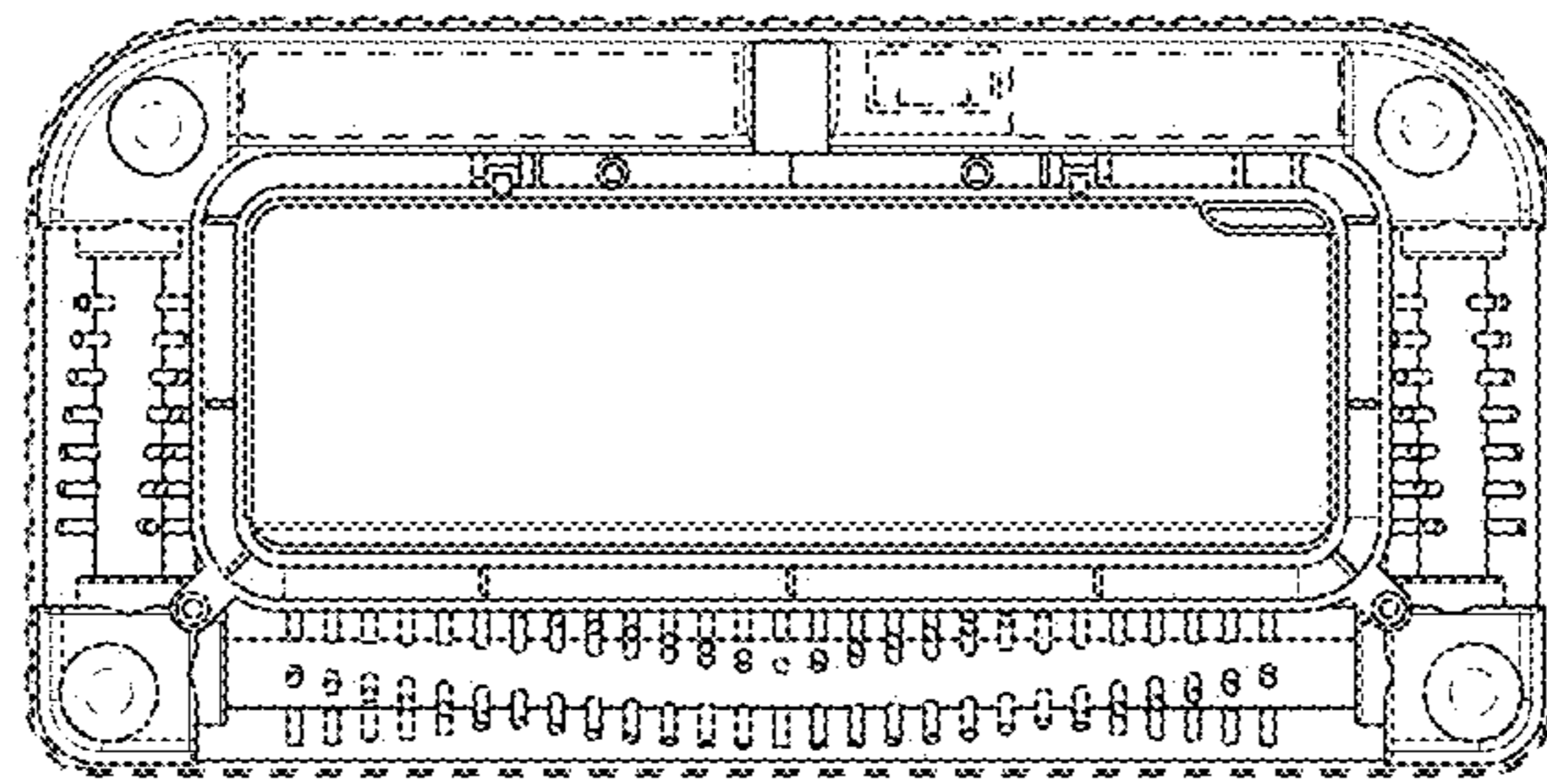


FIG. 7