



US00D870990S

(12) **United States Design Patent**
Yoon et al.

(10) **Patent No.:** **US D870,990 S**
(45) **Date of Patent:** **** Dec. 24, 2019**

(54) **DRYER**

DESCRIPTION

(71) Applicant: **Samsung Electronics Co., Ltd.**,
Suwon-si (KR)

(72) Inventors: **Sanghun Yoon**, Seoul (KR);
Myunggyu Kim, Seoul (KR)

(73) Assignee: **Samsung Electronics Co., Ltd.**,
Suwon-si (KR)

(**) Term: **15 Years**

(21) Appl. No.: **29/634,975**

(22) Filed: **Jan. 26, 2018**

(30) **Foreign Application Priority Data**

Aug. 11, 2017 (KR) 30-2017-0037550

(51) **LOC (12) Cl.** **15-05**

(52) **U.S. Cl.**
USPC **D32/8**

(58) **Field of Classification Search**
USPC D32/29.1, 29, 28, 6, 25, 8, 1, 5, 10
(Continued)

(56) **References Cited**

U.S. PATENT DOCUMENTS

D422,387 S * 4/2000 Mutoh D32/25
D516,258 S * 2/2006 Matsusaki D32/1
(Continued)

FOREIGN PATENT DOCUMENTS

CN 201430208511 1/2015
CN 201530140697 11/2015
(Continued)

Primary Examiner — Michelle E. Wilson

(74) *Attorney, Agent, or Firm* — NSIP Law

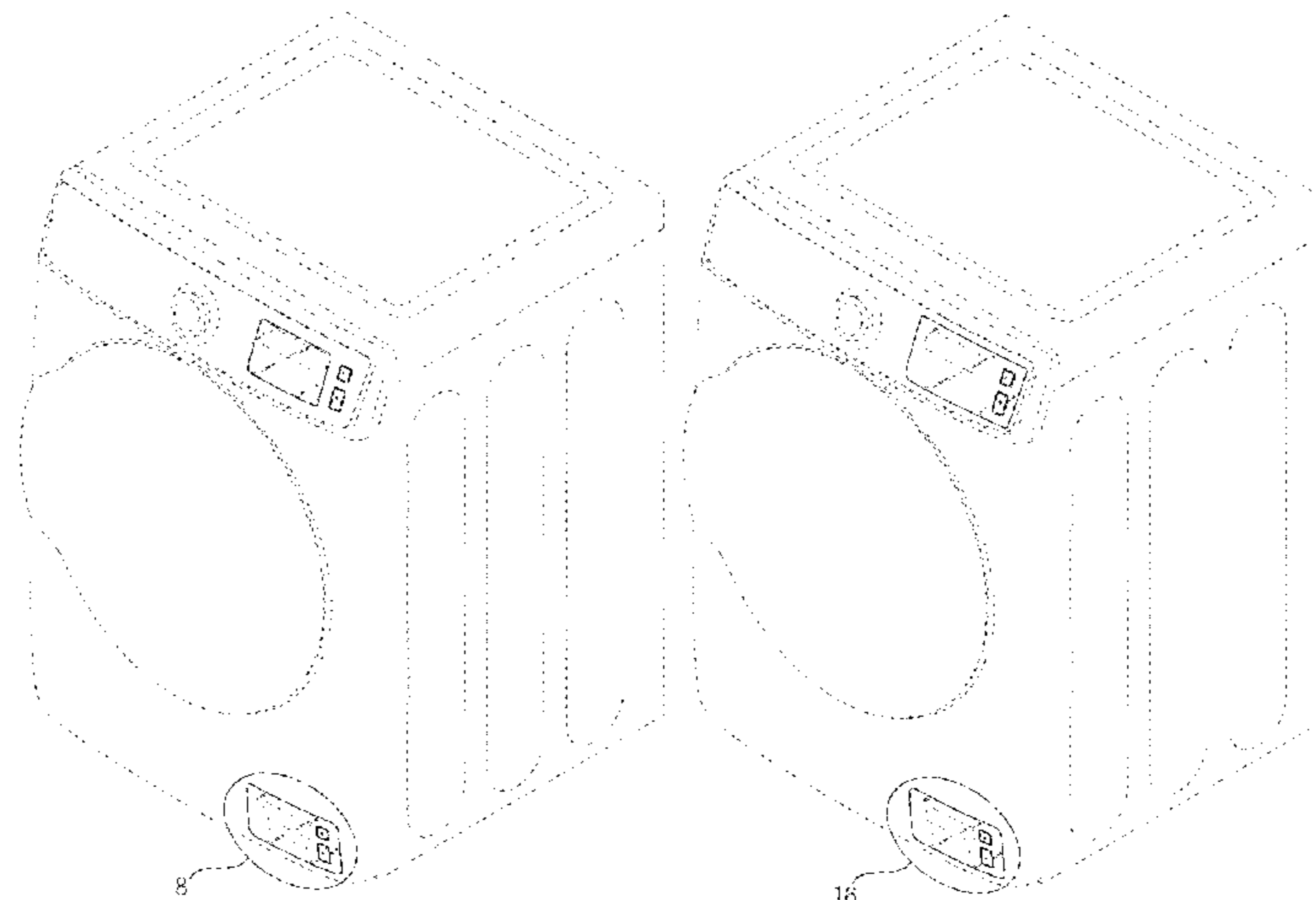
(57) **CLAIM**

We claim the ornamental design for a dryer, as shown and described.

FIG. 1 is a front perspective view of a first embodiment of a dryer showing our new design; FIG. 2 is a front view thereof; FIG. 3 is a rear view thereof; FIG. 4 is a left-side view thereof; FIG. 5 is a right-side view thereof; FIG. 6 is a top view thereof; FIG. 7 is a bottom view thereof; FIG. 8 is an enlarged view of the encircled portion in FIG. 1; FIG. 9 is a front perspective view of a second embodiment of a dryer, showing our new design; FIG. 10 is a front view thereof; FIG. 11 is a rear view thereof; FIG. 12 is a left-side view thereof; FIG. 13 is a right-side view thereof; FIG. 14 is a top view thereof; FIG. 15 is a bottom view thereof; FIG. 16 is an enlarged view of the encircled portion in FIG. 9; FIG. 17 is a front perspective view of a third embodiment of a dryer, showing our new design; FIG. 18 is a front view thereof; FIG. 19 is a rear view thereof; FIG. 20 is a left-side view thereof; FIG. 21 is a right-side view thereof; FIG. 22 is a top view thereof; FIG. 23 is a bottom view thereof; FIG. 24 is an enlarged view of the encircled portion in FIG. 17; FIG. 25 is a front perspective view of a fourth embodiment of a dryer, showing our new design; FIG. 26 is a front view thereof; FIG. 27 is a rear view thereof; FIG. 28 is a left-side view thereof; FIG. 29 is a right-side view thereof; FIG. 30 is a top view thereof; FIG. 31 is a bottom view thereof; and, FIG. 32 is an enlarged view of the encircled portion in FIG. 25.

The dashed broken lines in the figures illustrating portions of the dryer form no part of the claimed design.

(Continued)



US D870,990 S

Page 2

The dot-dash broken lines encircling portions of the claimed design that are illustrated in enlargements form no part of the claimed design.

1 Claim, 32 Drawing Sheets

(58) Field of Classification Search

CPC D06F 39/045; D06F 29/00; D06F 29/005;
D06F 25/00; D06F 39/022; D06F 33/02;
D06F 2204/065; D06F 35/006; A47L
15/4418

See application file for complete search history.

(56)

References Cited

U.S. PATENT DOCUMENTS

D519,692 S * 4/2006 Jun D32/6
D537,991 S * 3/2007 Jun D32/6

D547,915 S * 7/2007 Jun D32/6
D557,466 S * 12/2007 Suh D32/6
D583,114 S * 12/2008 Jeon D32/8
D642,753 S * 8/2011 Ha D32/6
D658,340 S * 4/2012 Jeon D32/6
D663,907 S * 7/2012 Jeon D32/6
D663,908 S * 7/2012 Jeon D32/6
D664,313 S * 7/2012 Chung D32/6
D703,887 S * 4/2014 Lee D32/8
D729,467 S * 5/2015 Jee D32/6
D730,597 S * 5/2015 Jeon D32/8
D738,582 S * 9/2015 Chung D32/6

FOREIGN PATENT DOCUMENTS

CN 201530341634 2/2016
CN 201630225205 9/2016
KR 30-2015-0066224 6/2016

* cited by examiner

FIG. 1

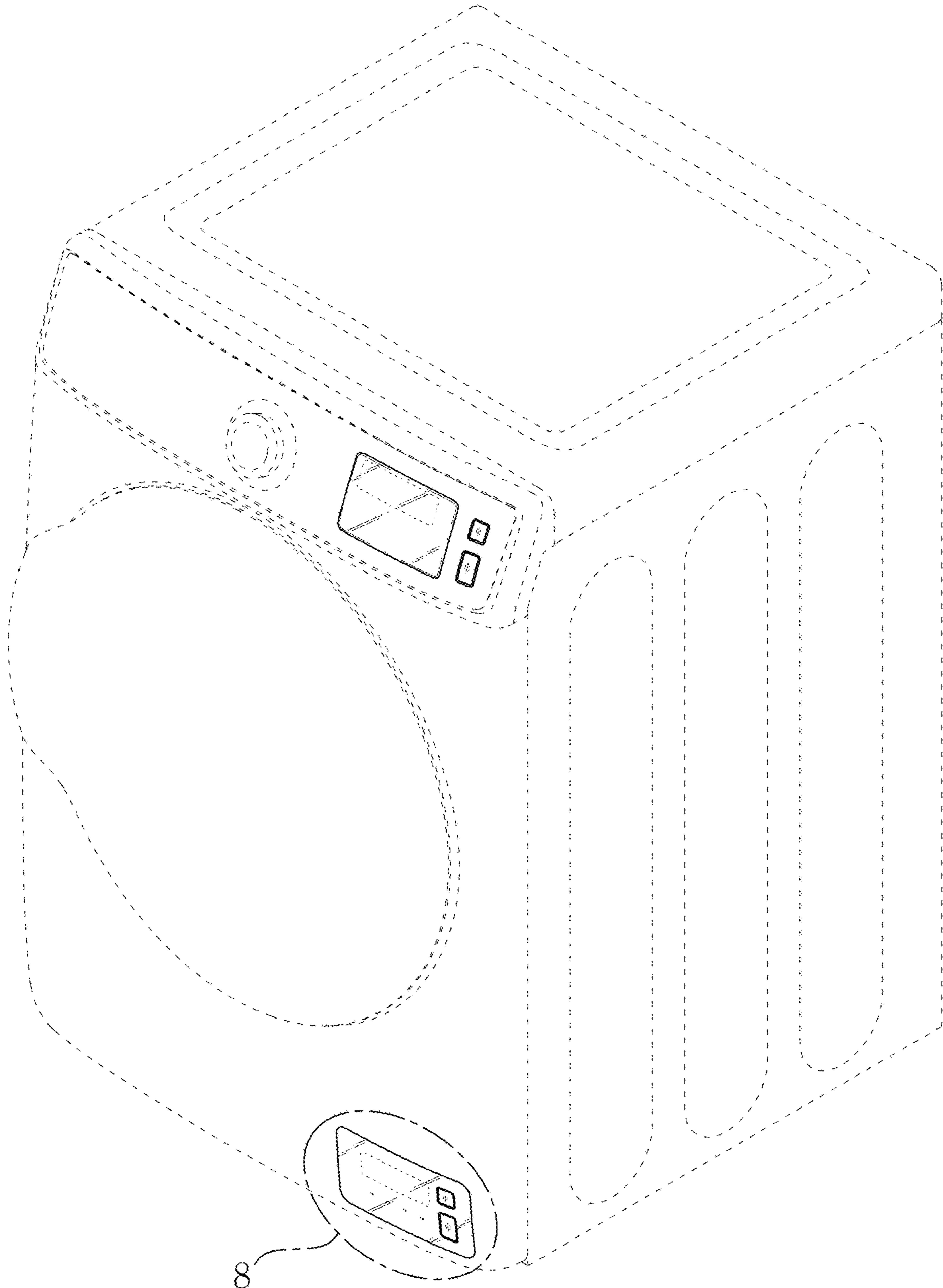


FIG. 2

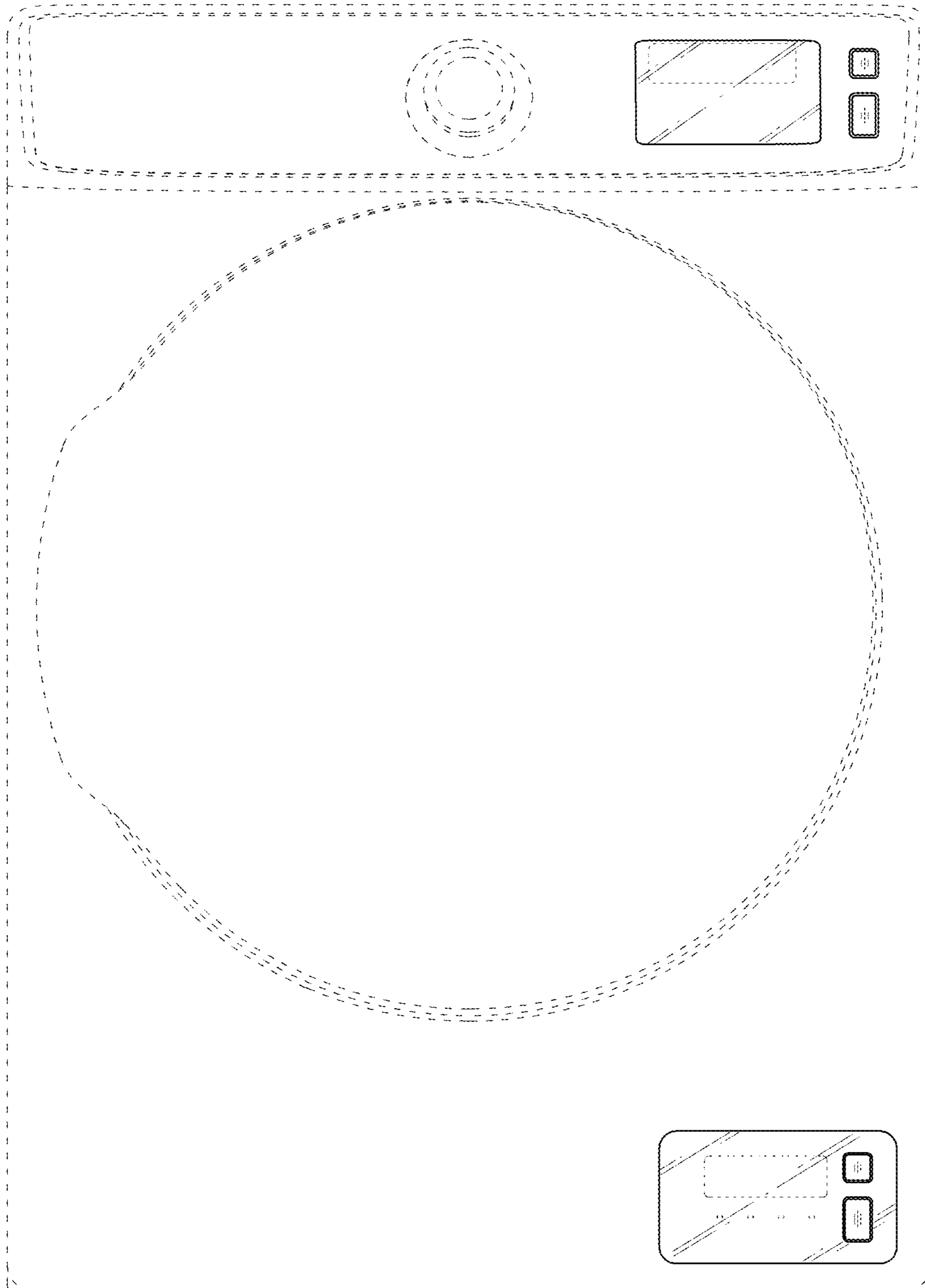


FIG. 3

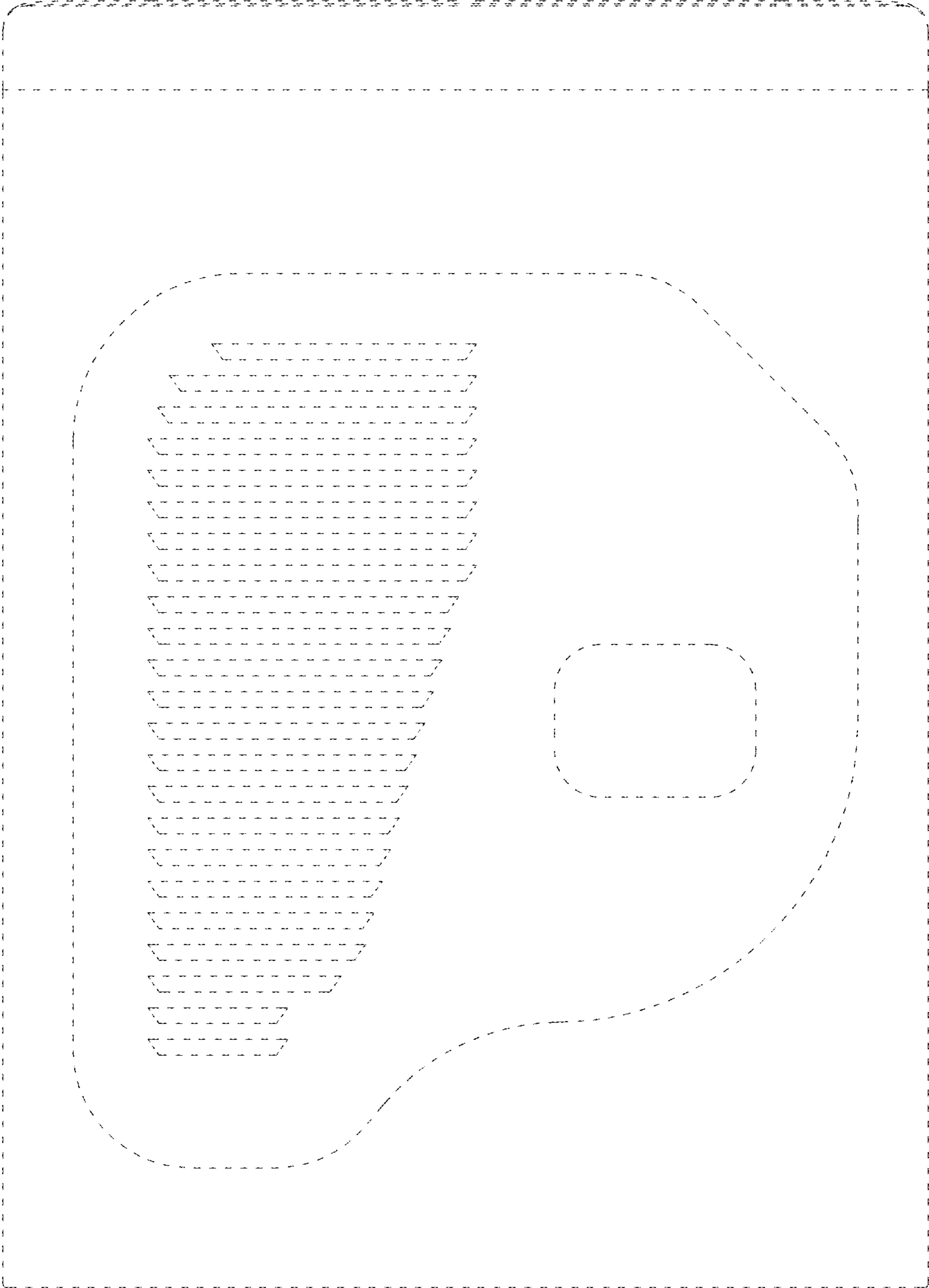


FIG. 4

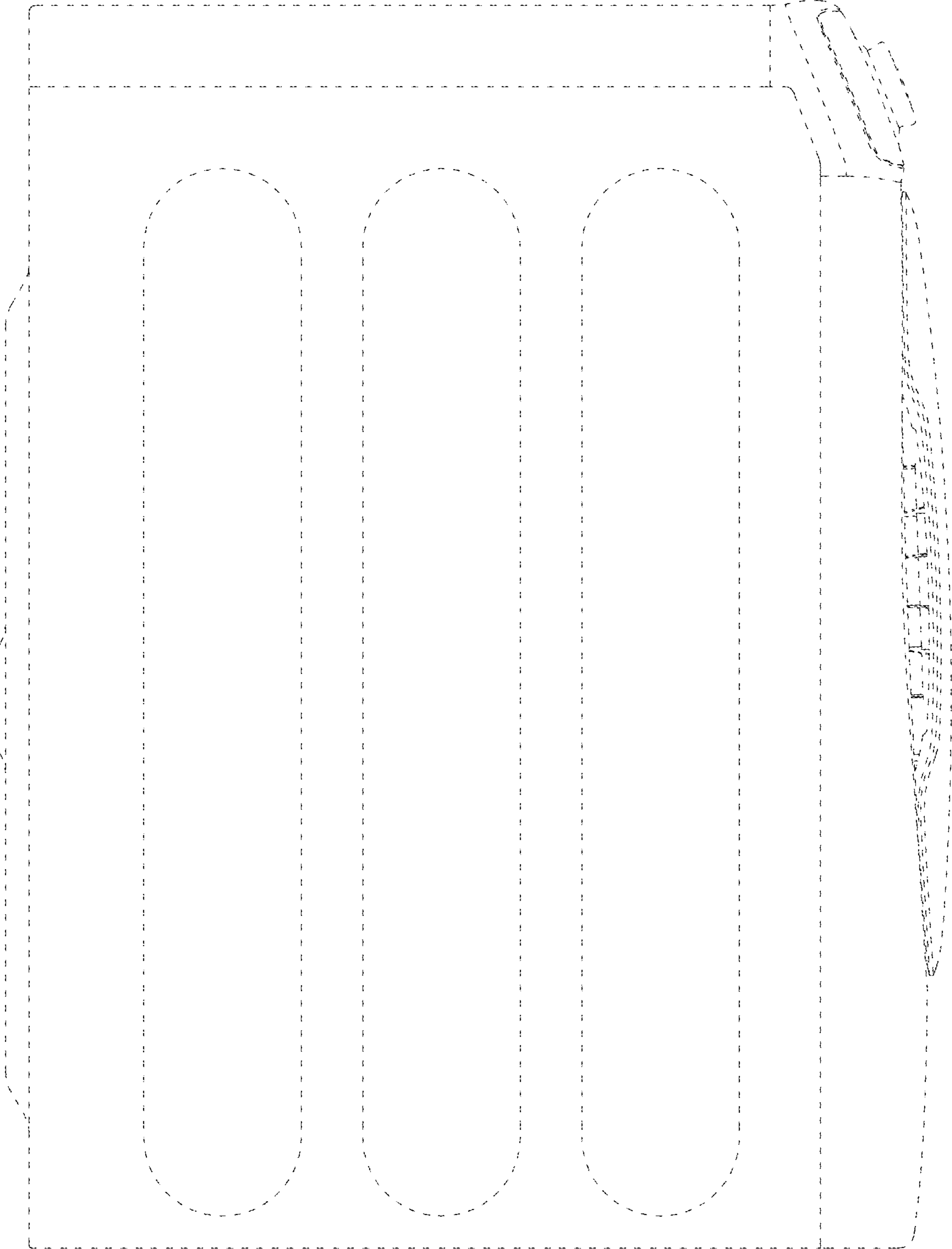


FIG. 5

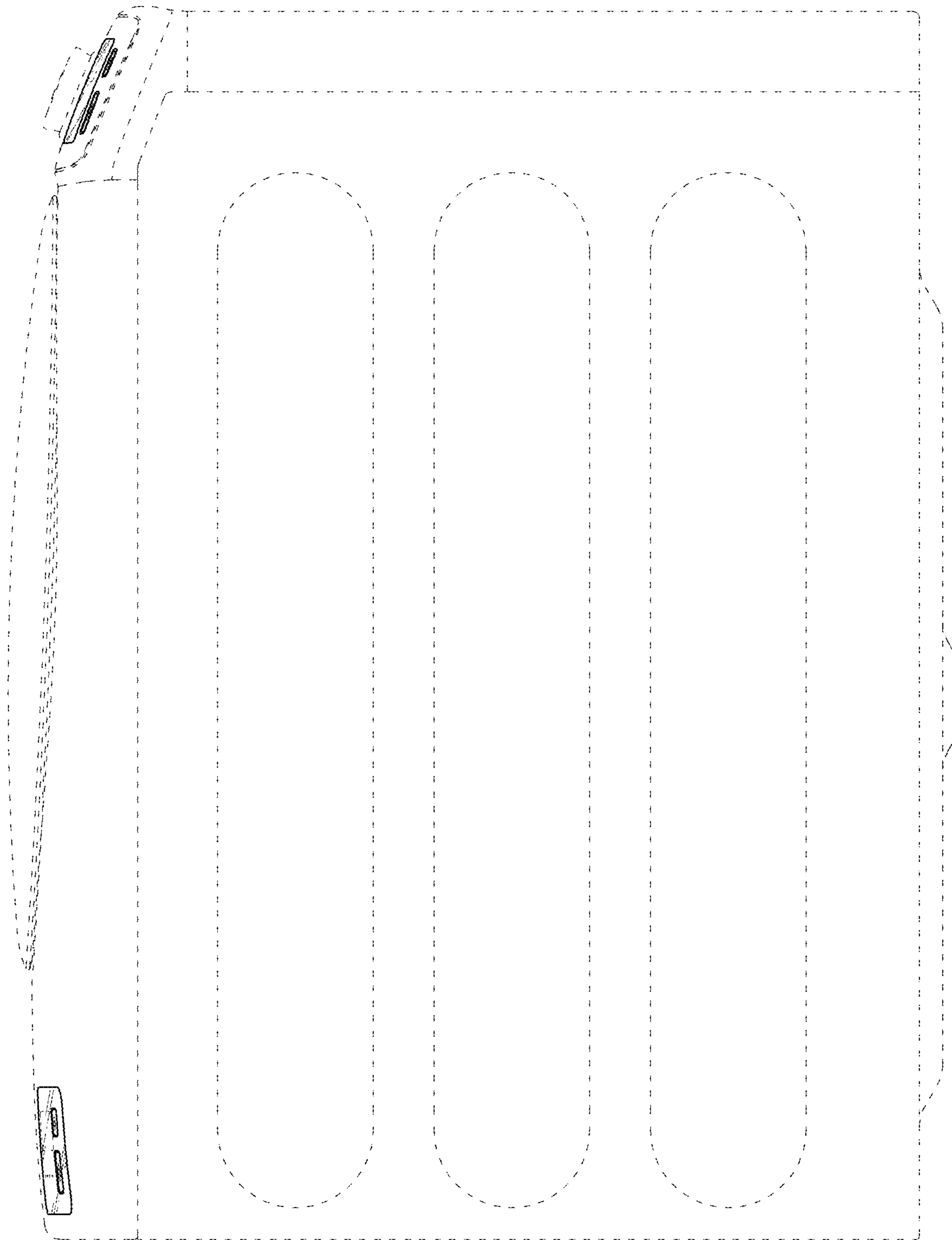


FIG. 6

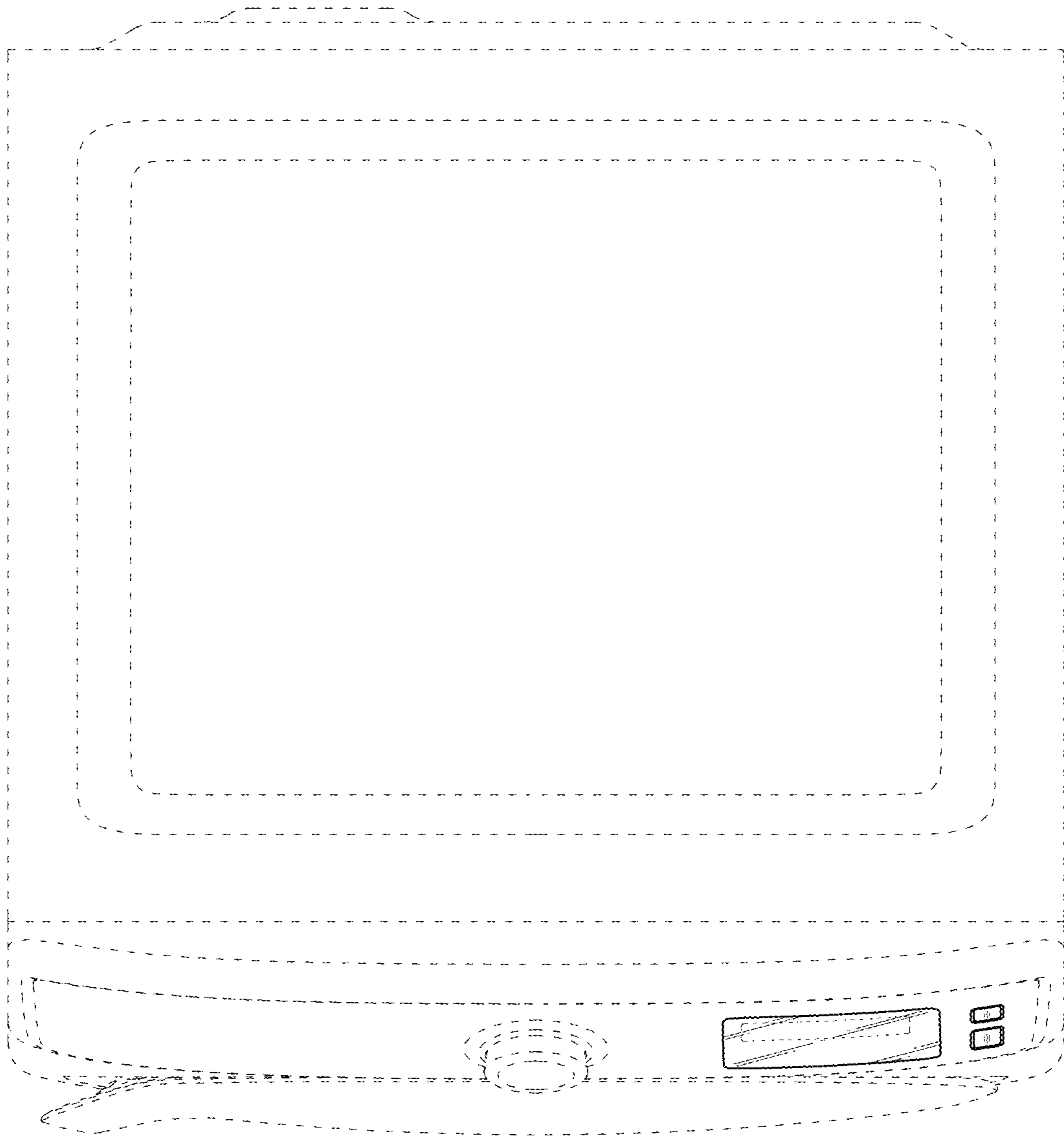


FIG. 7

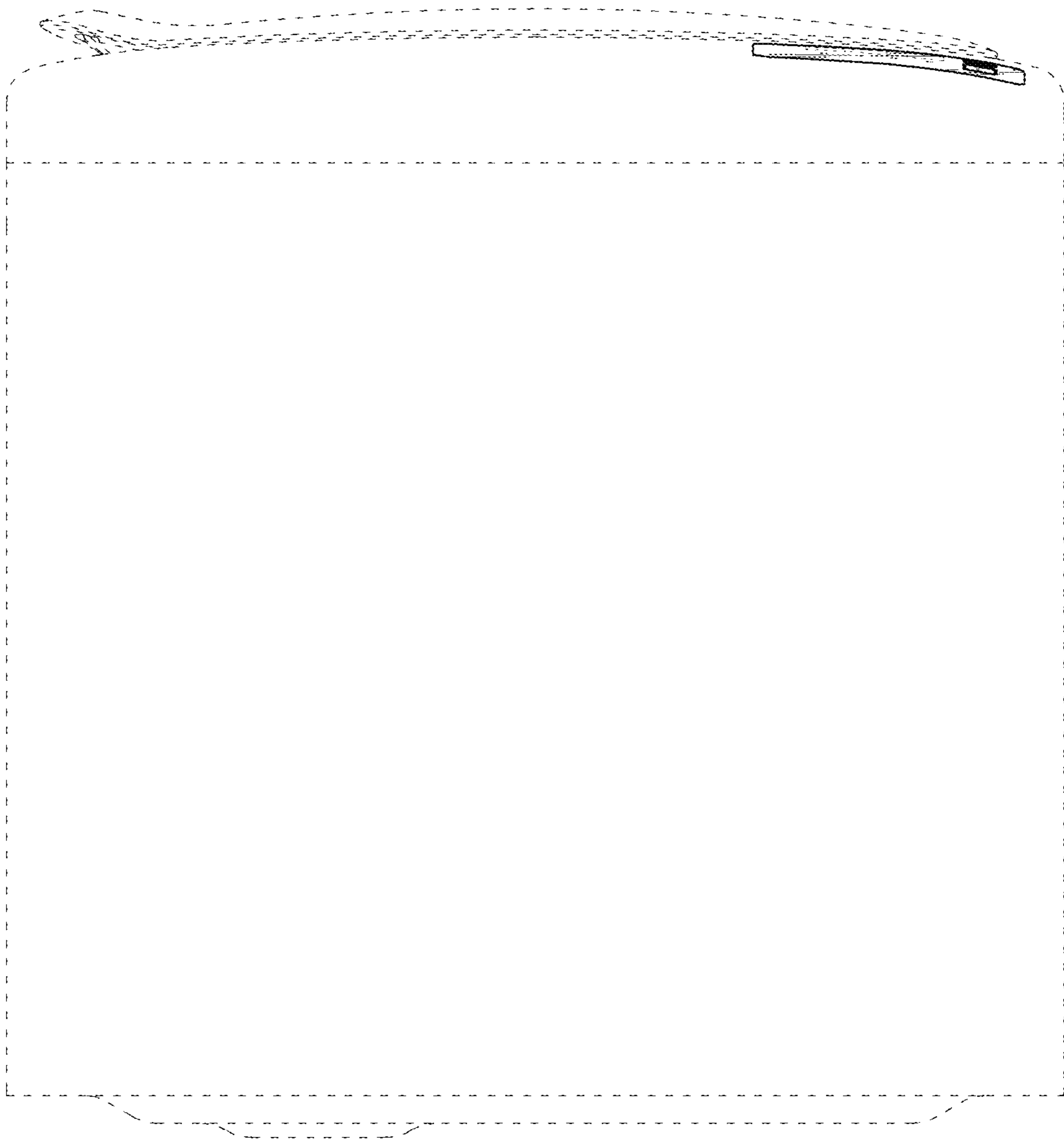


FIG. 8

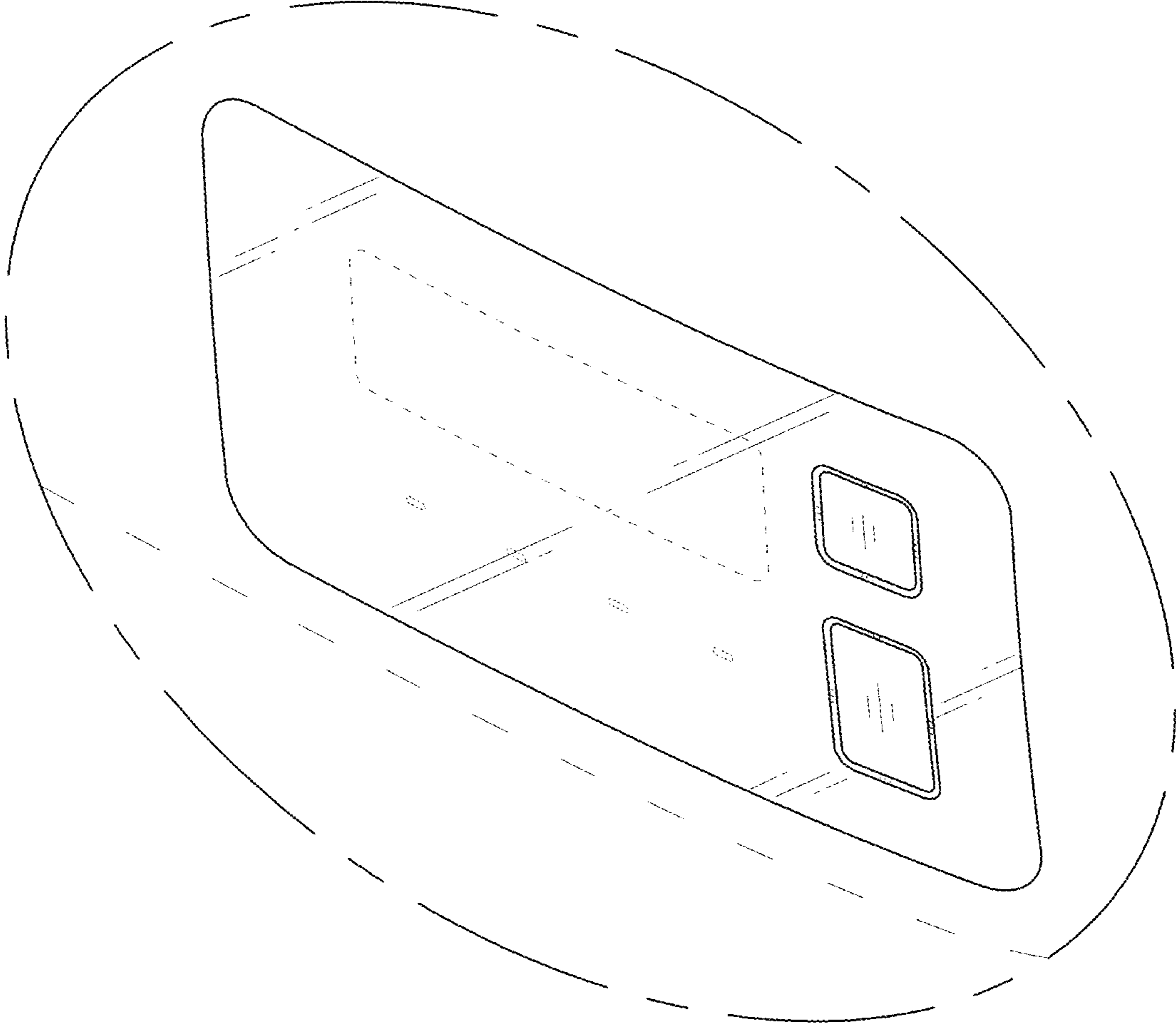


FIG. 9

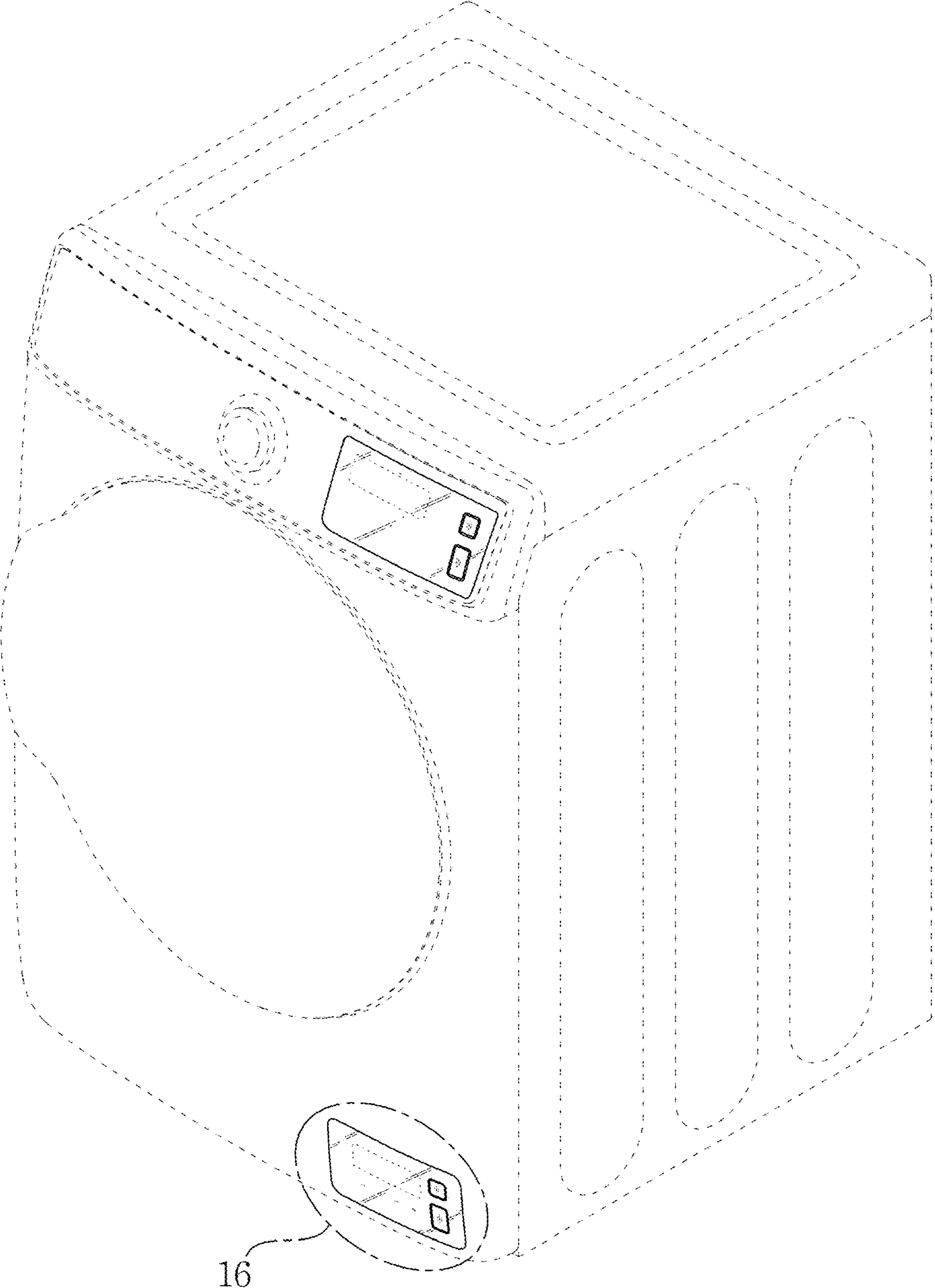


FIG. 10

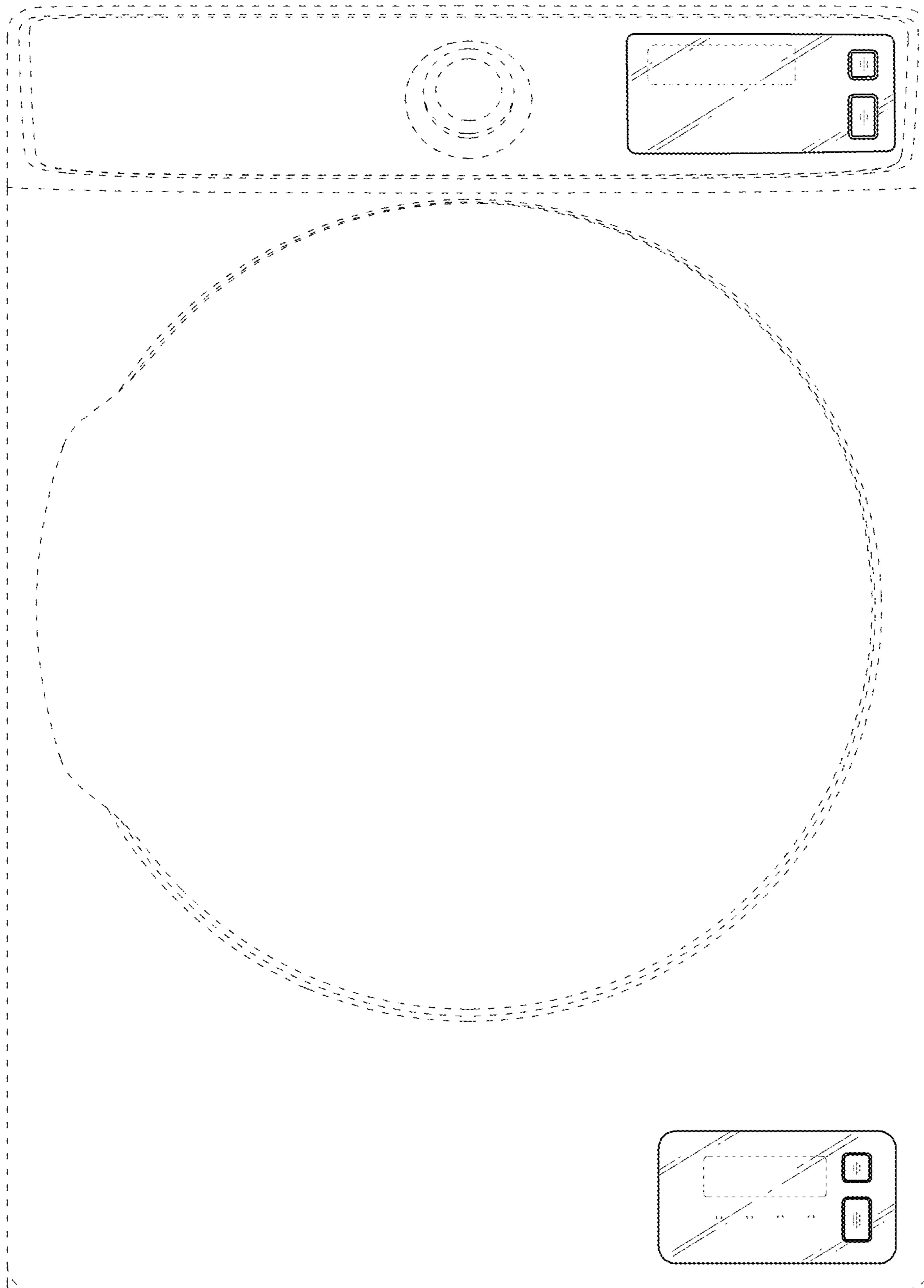


FIG. 11

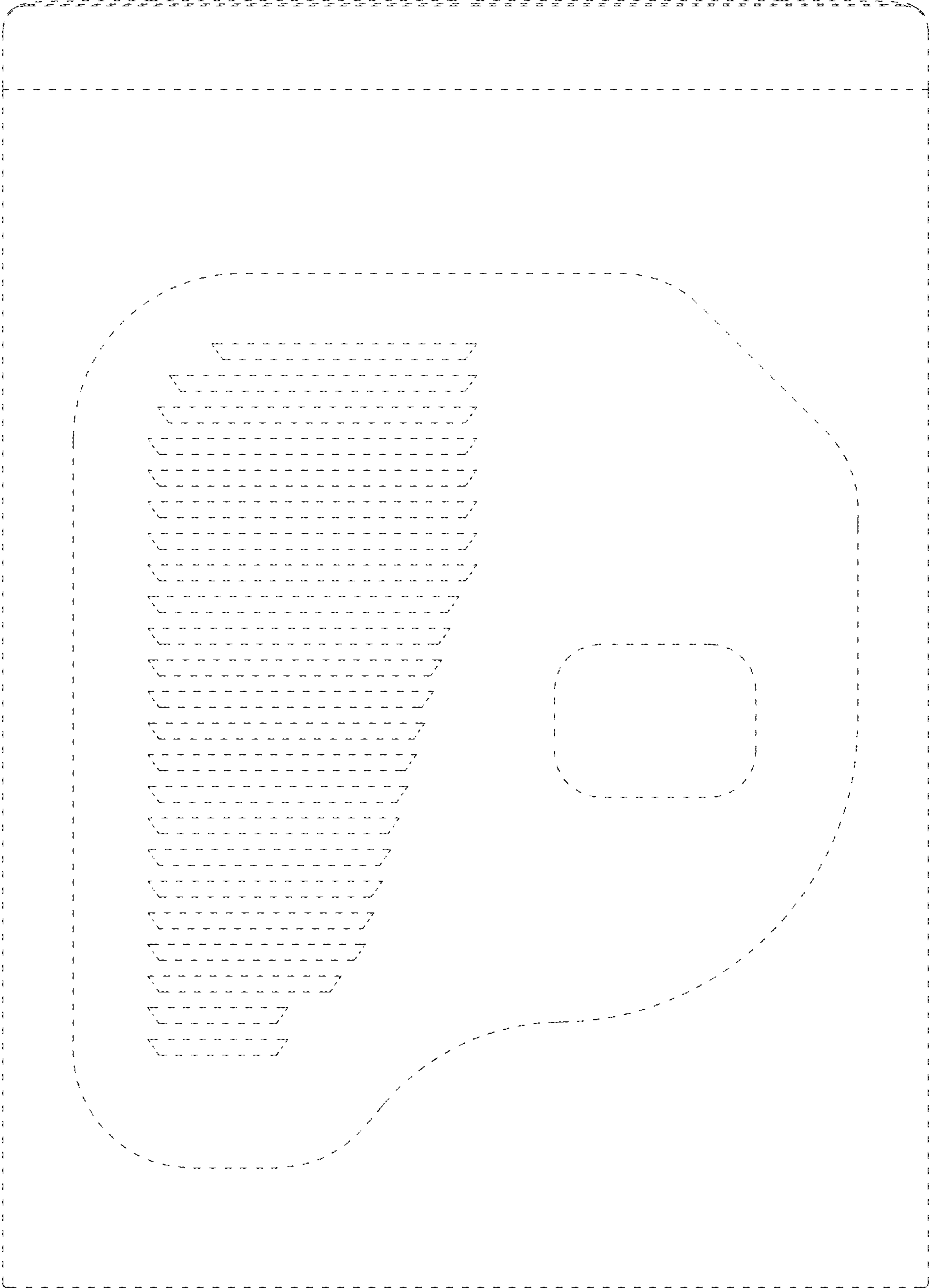


FIG. 12

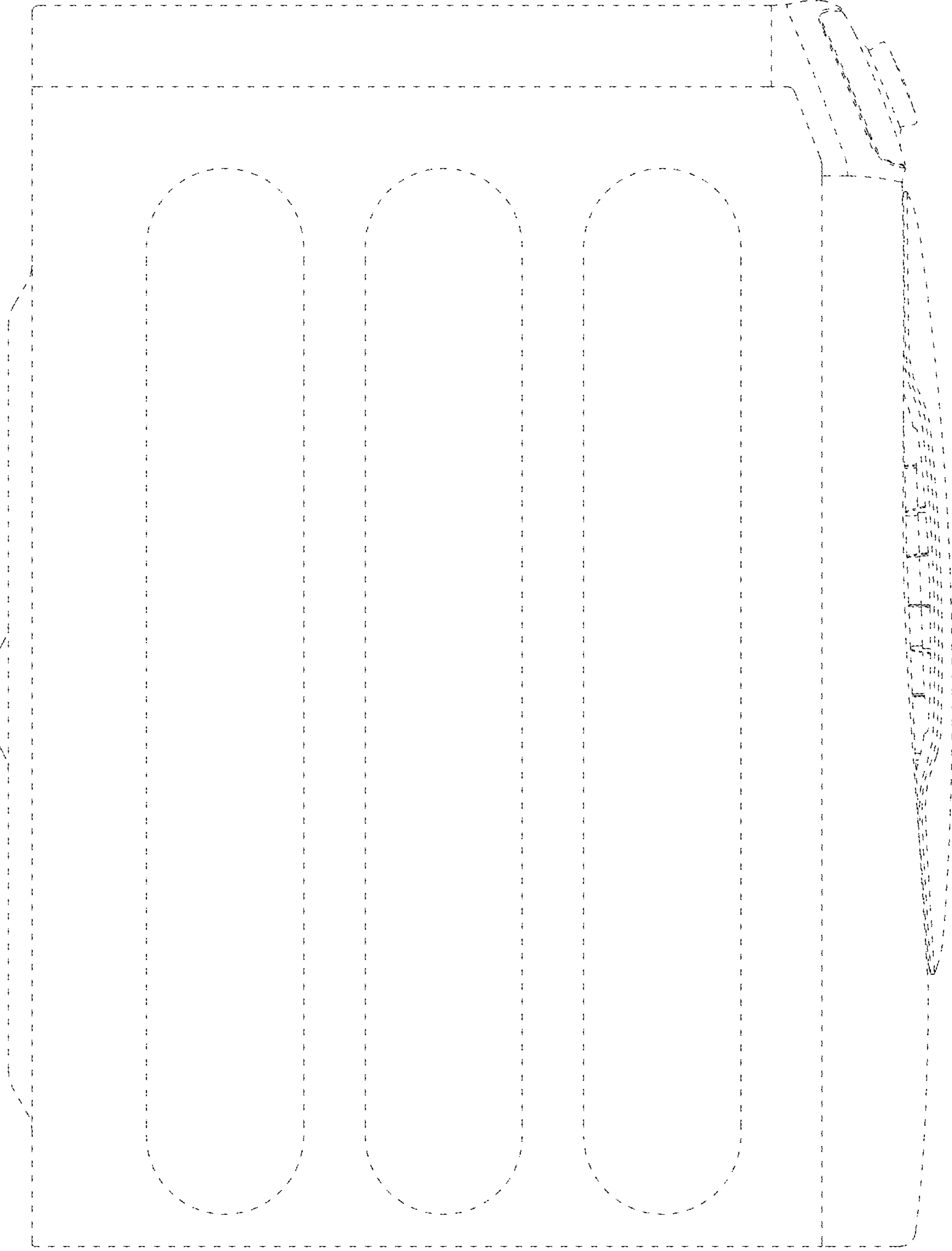


FIG. 13

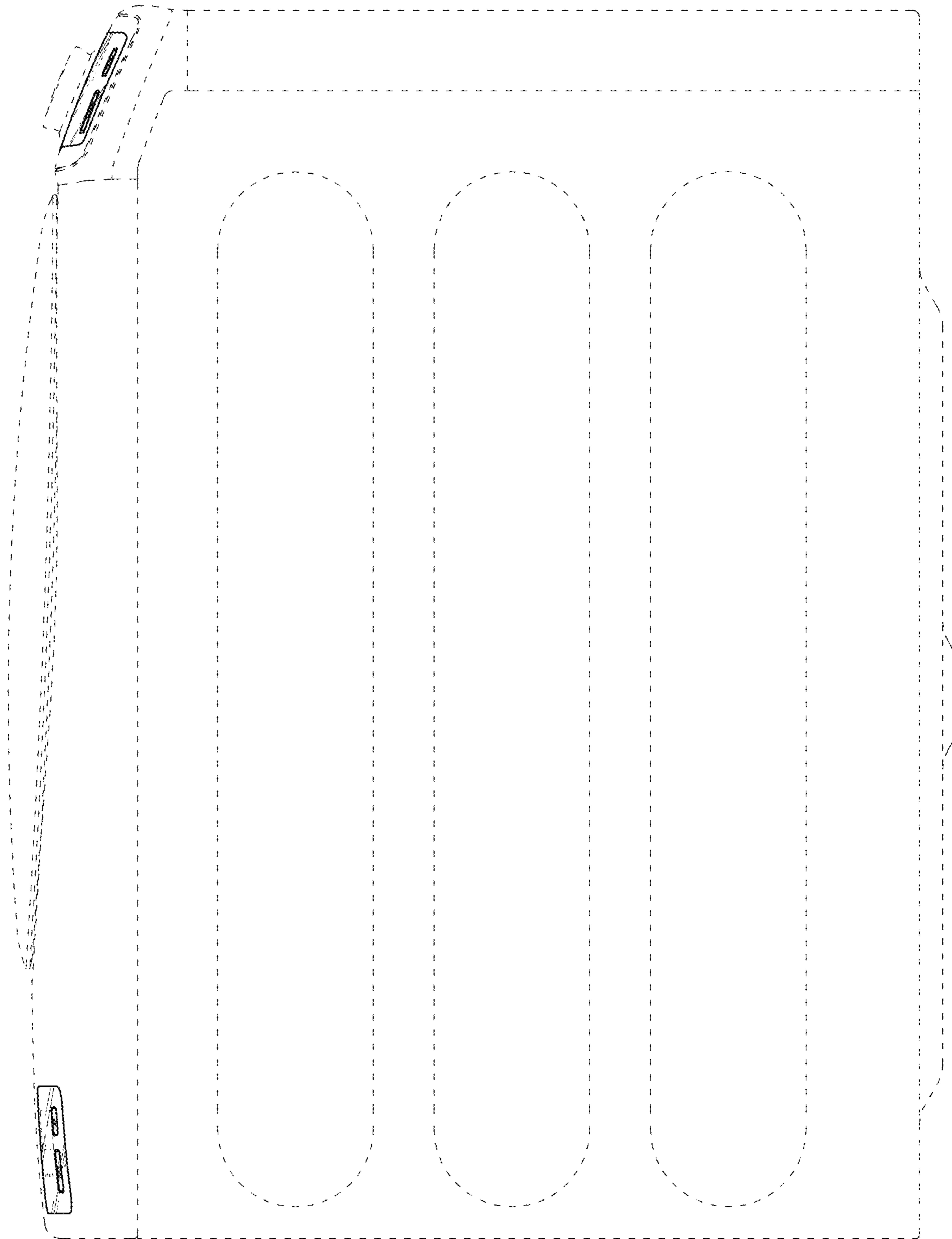


FIG. 14

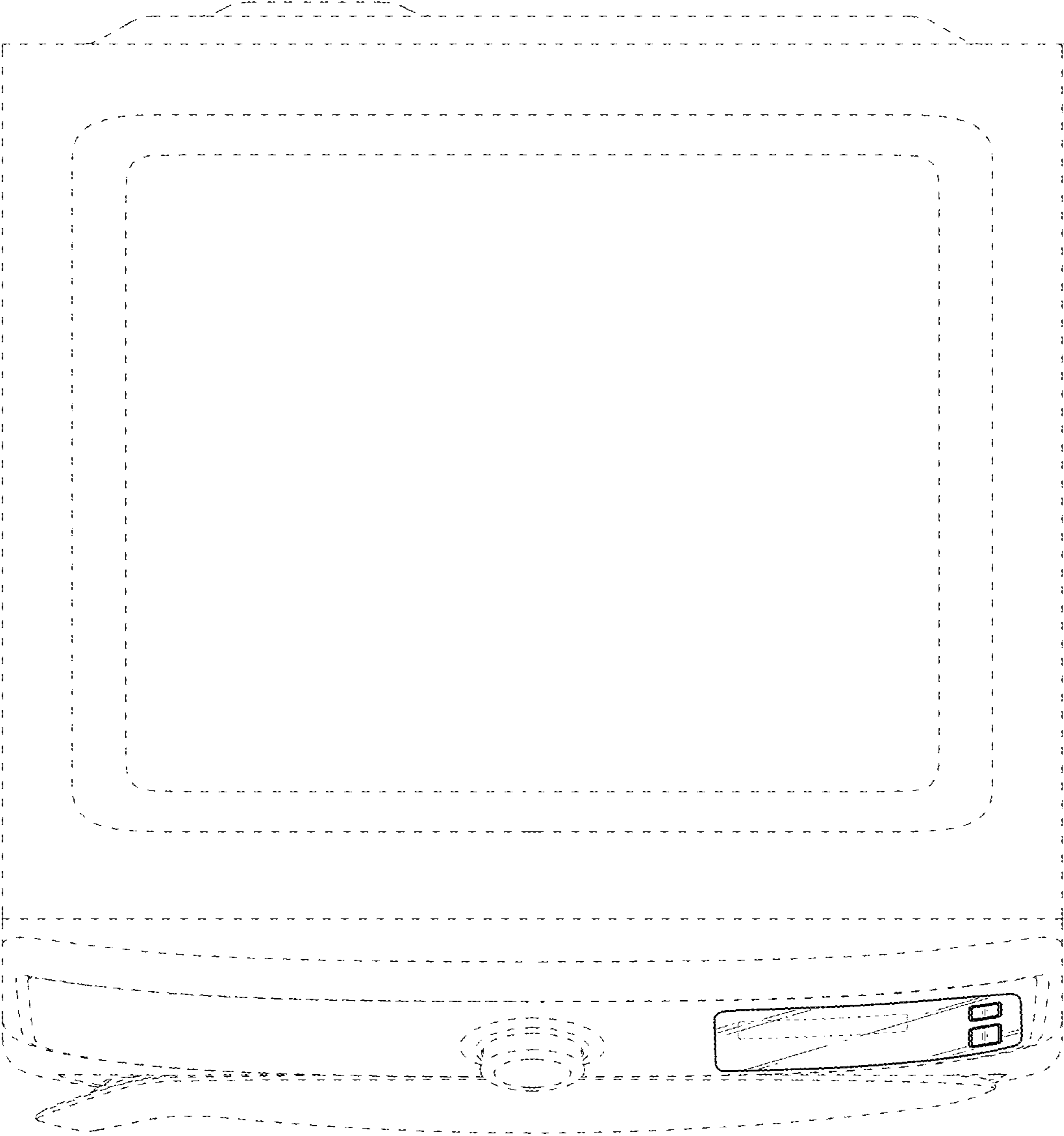


FIG. 15

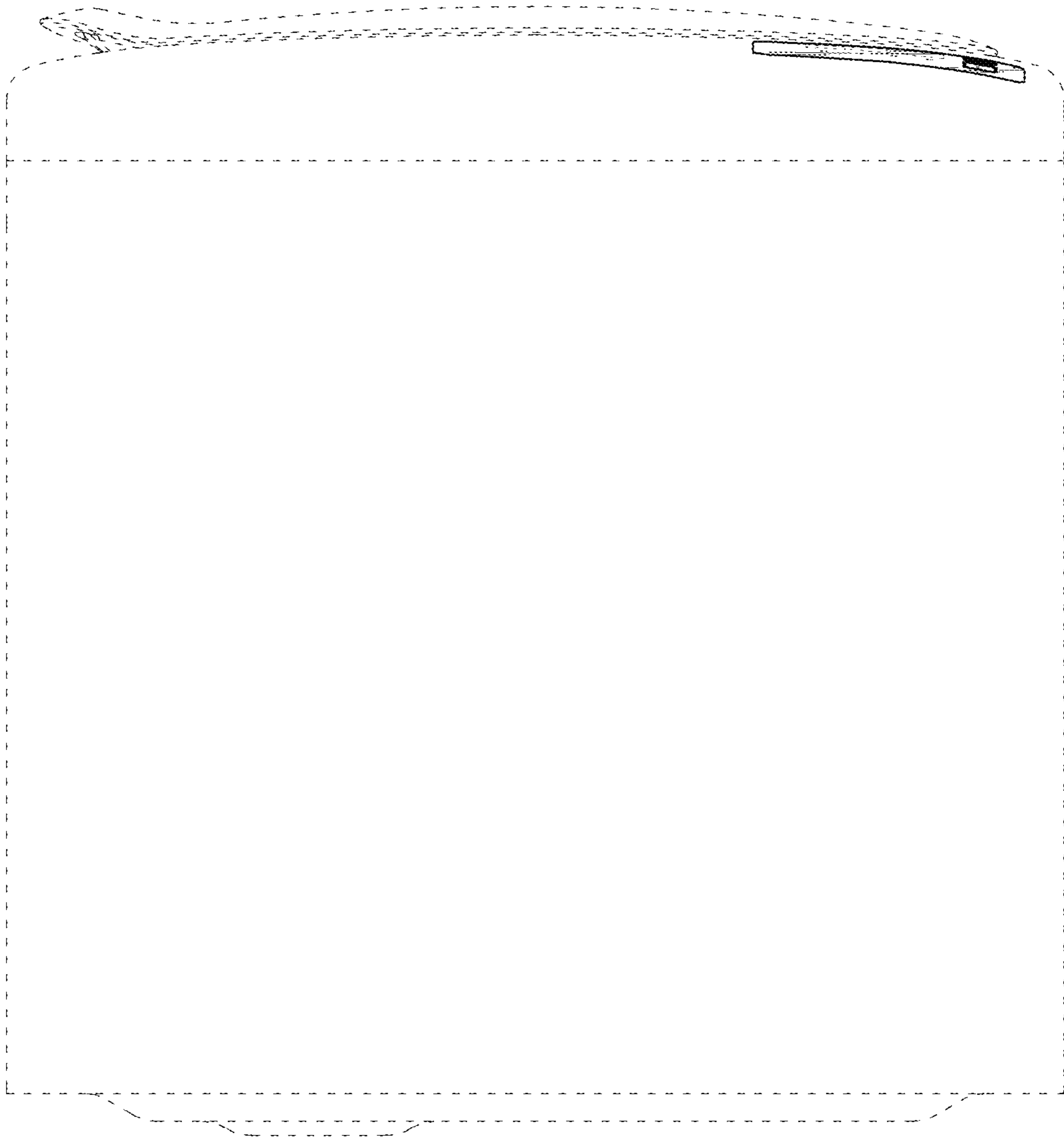


FIG. 16

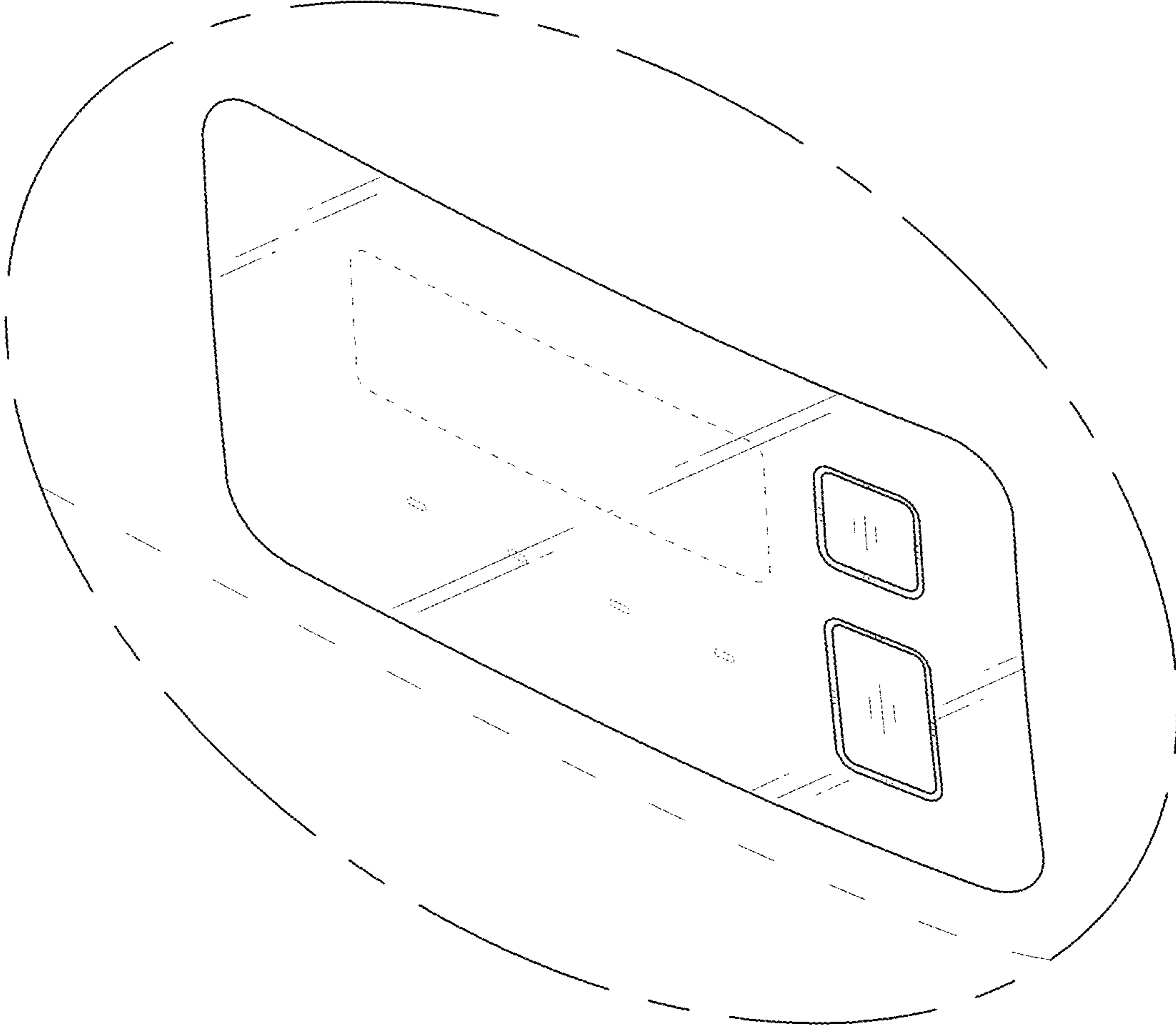


FIG. 17

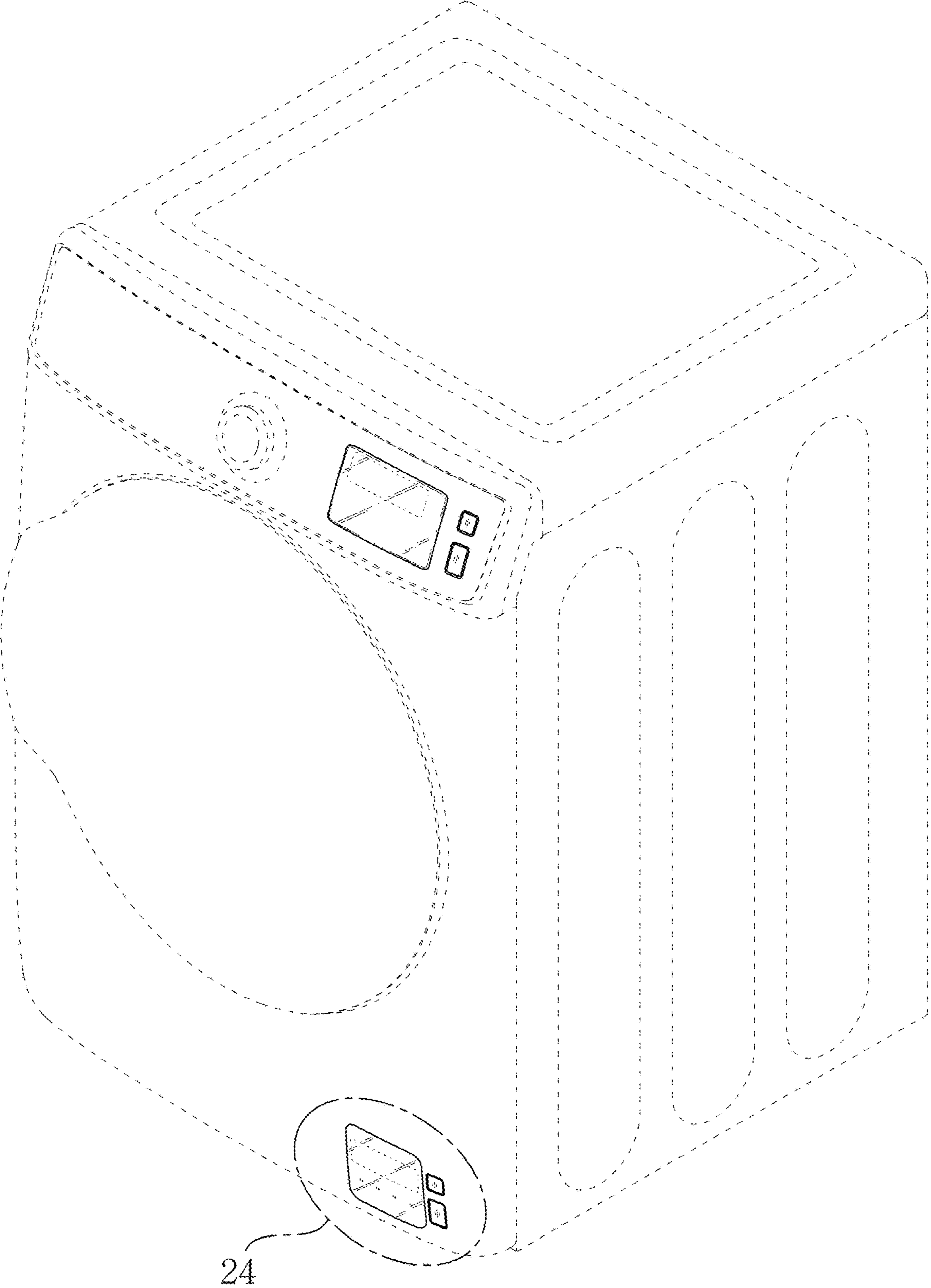


FIG. 18

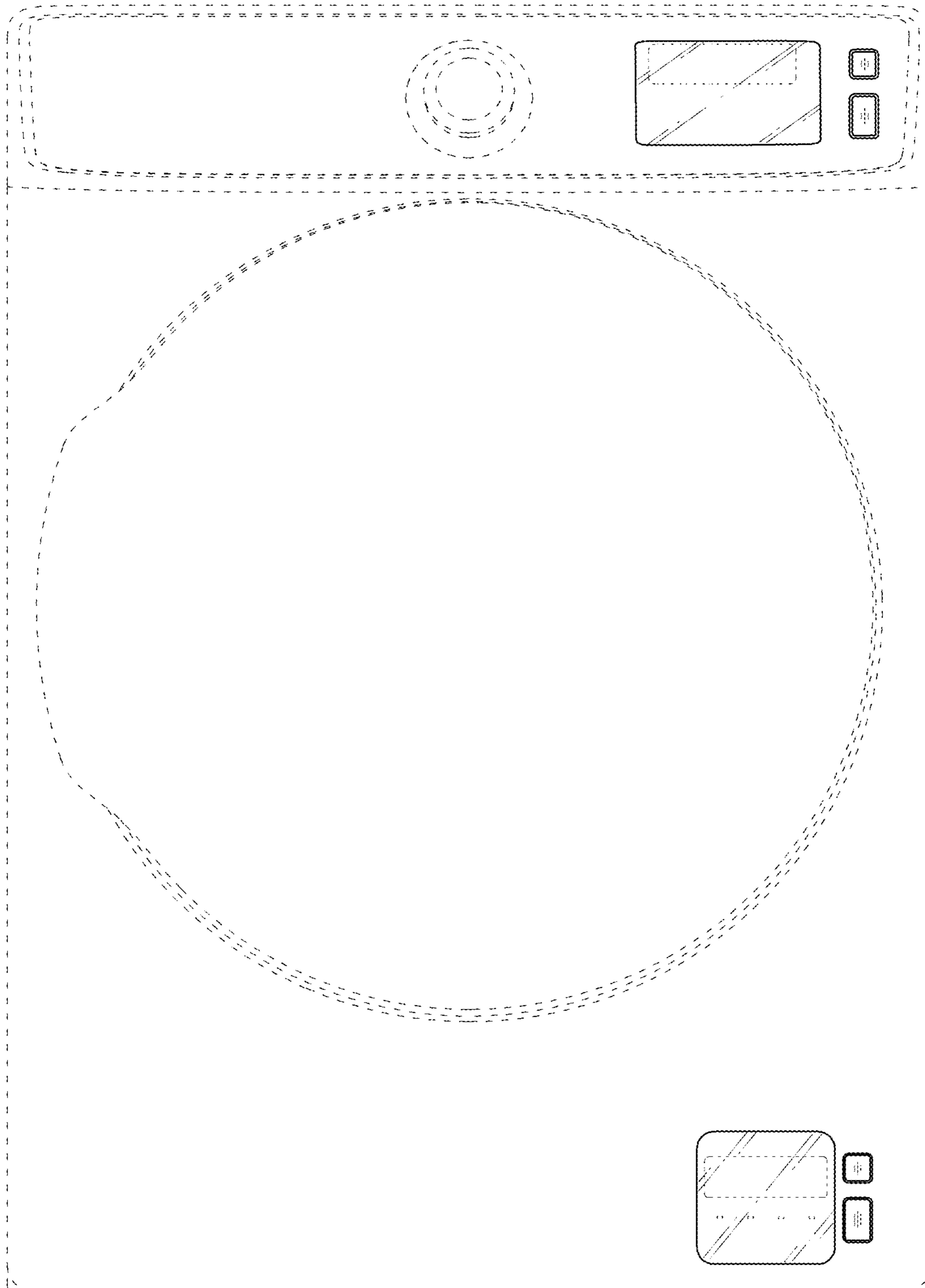


FIG. 19

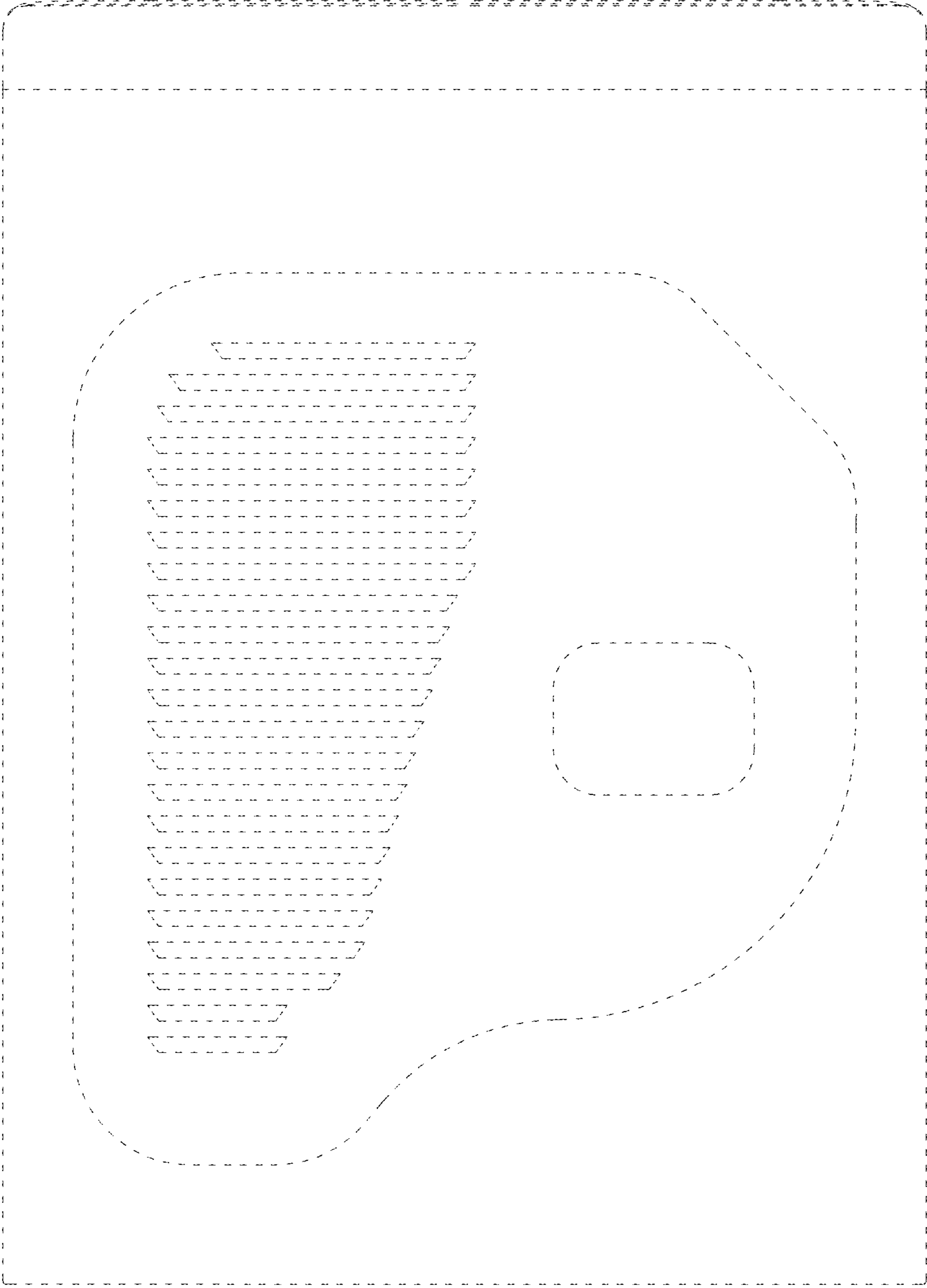


FIG. 20

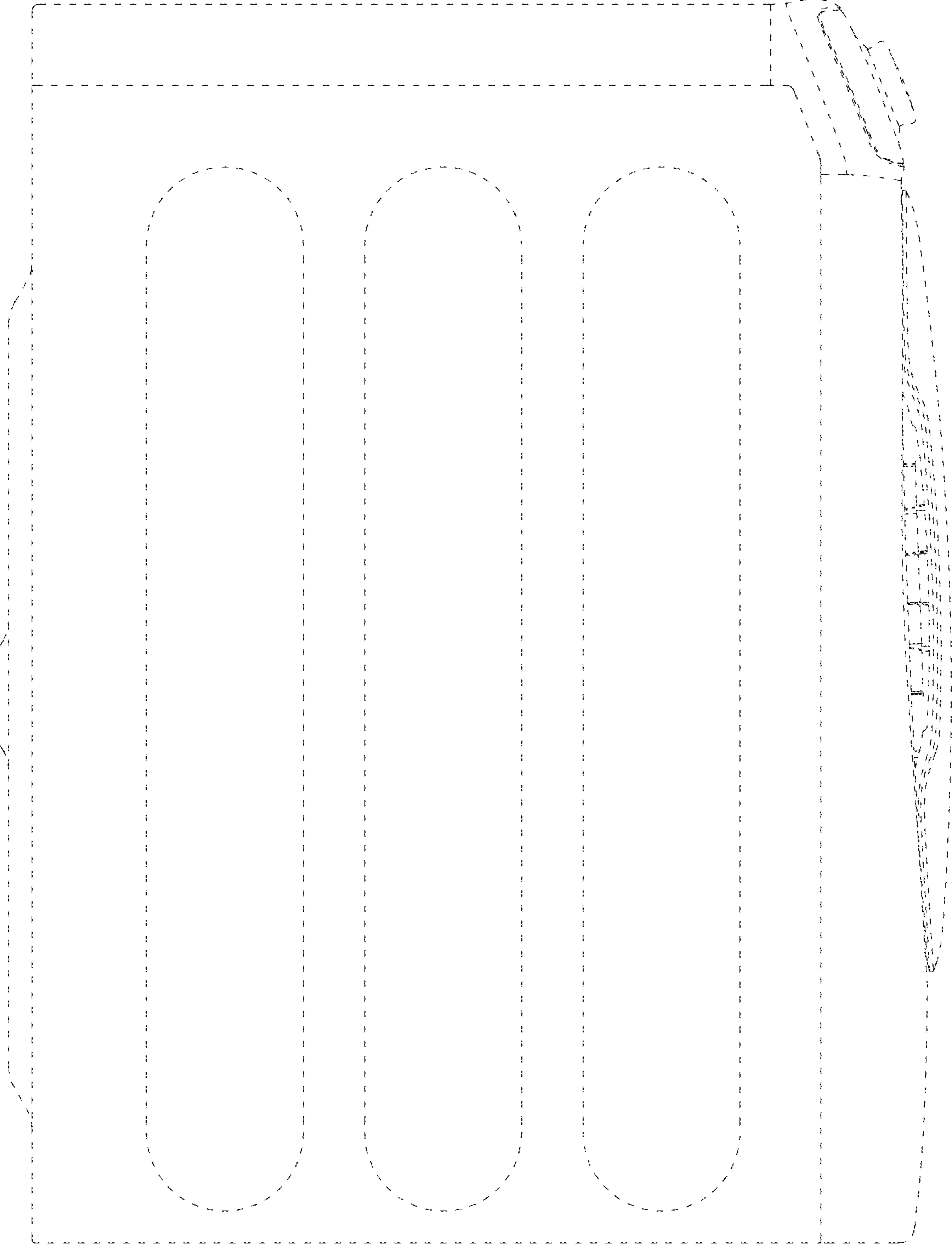


FIG. 21

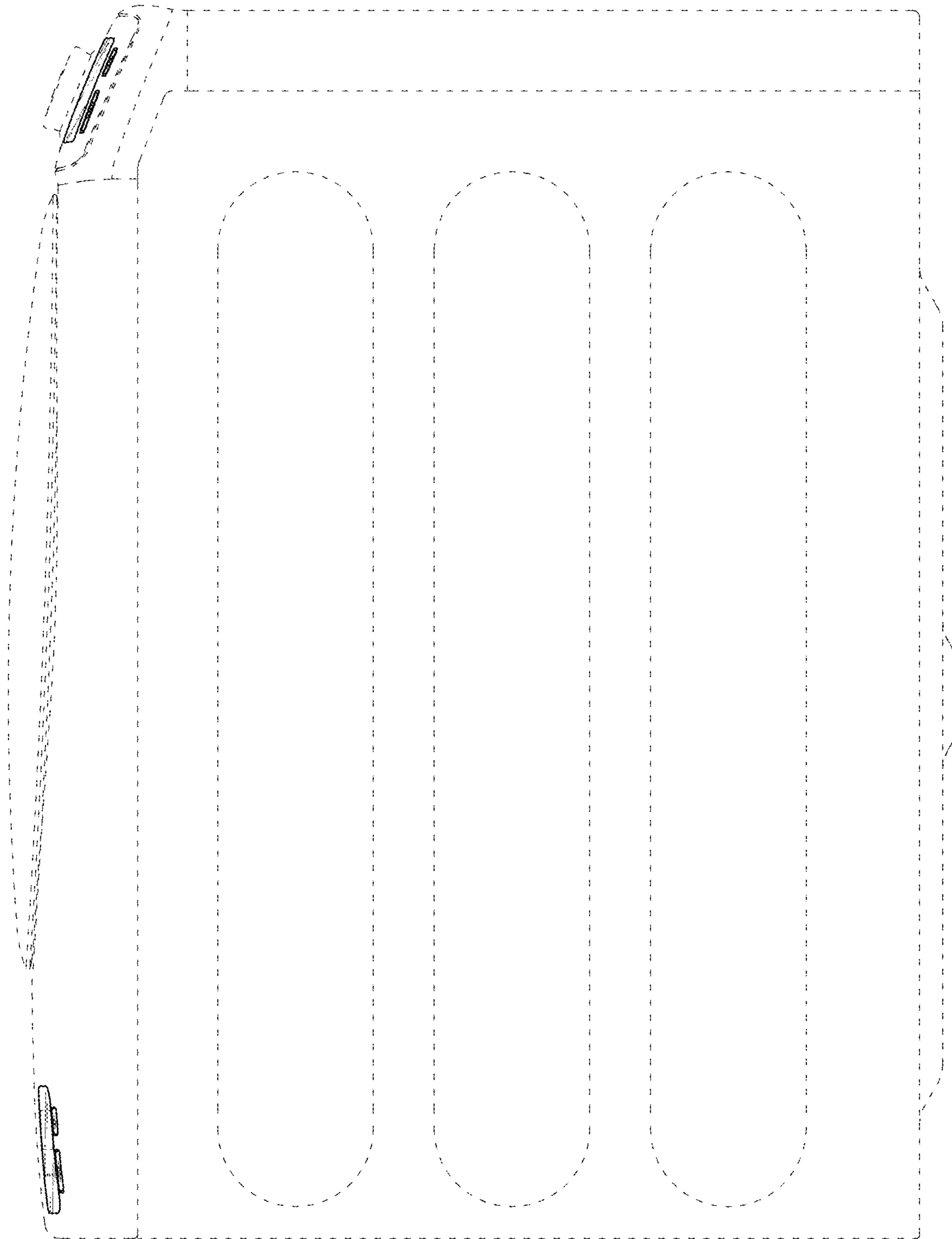


FIG. 22

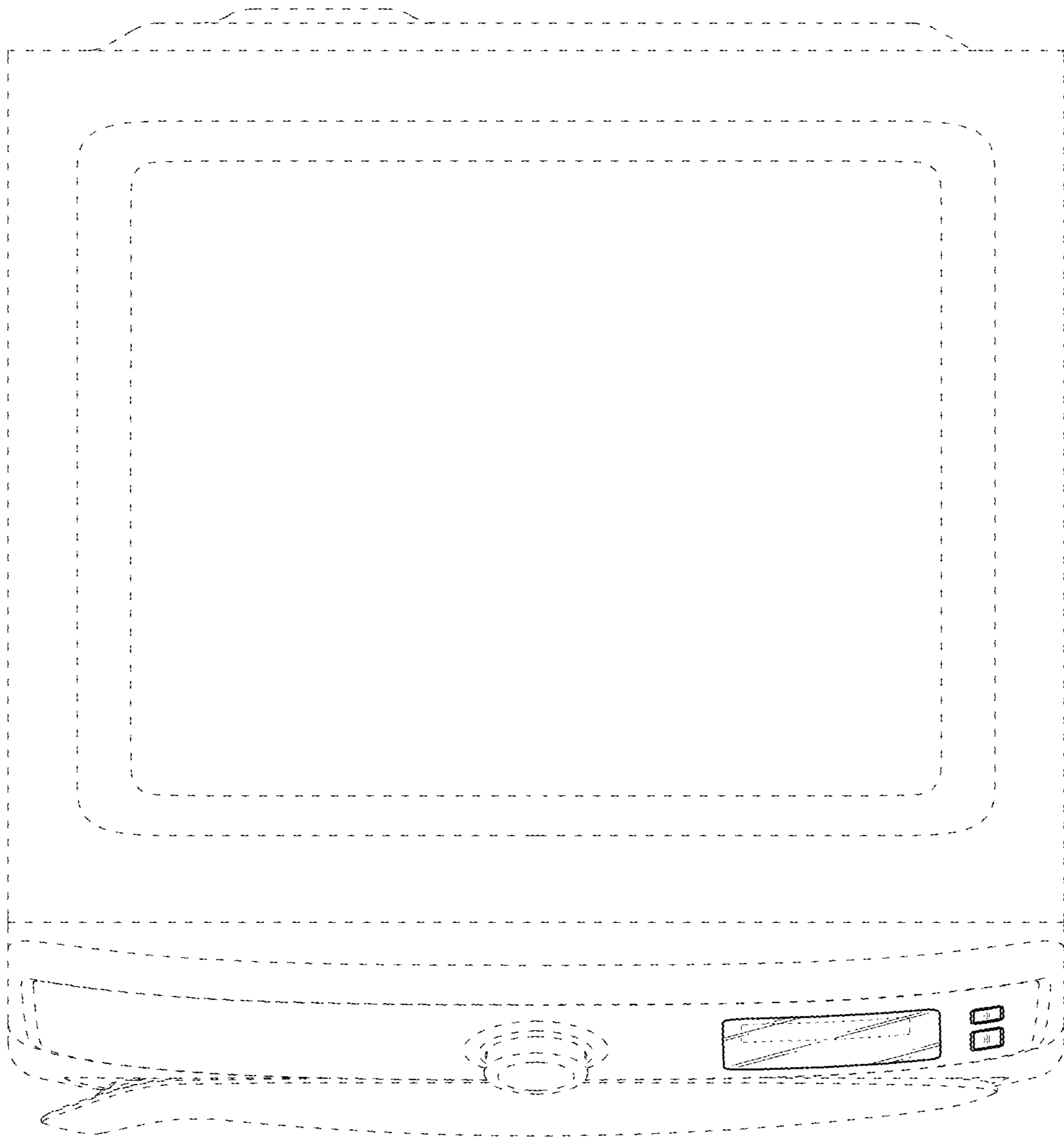


FIG. 23

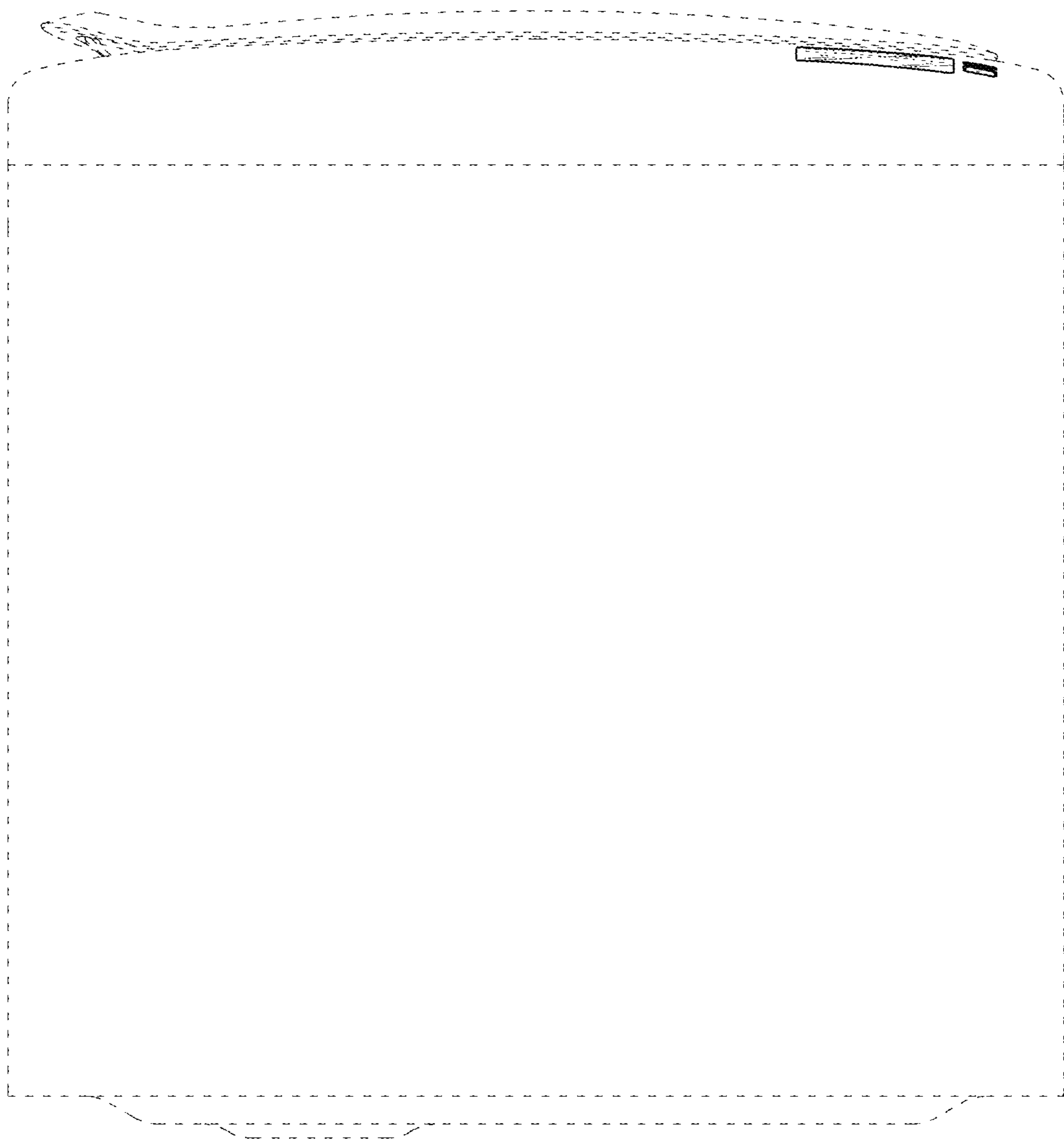


FIG. 24

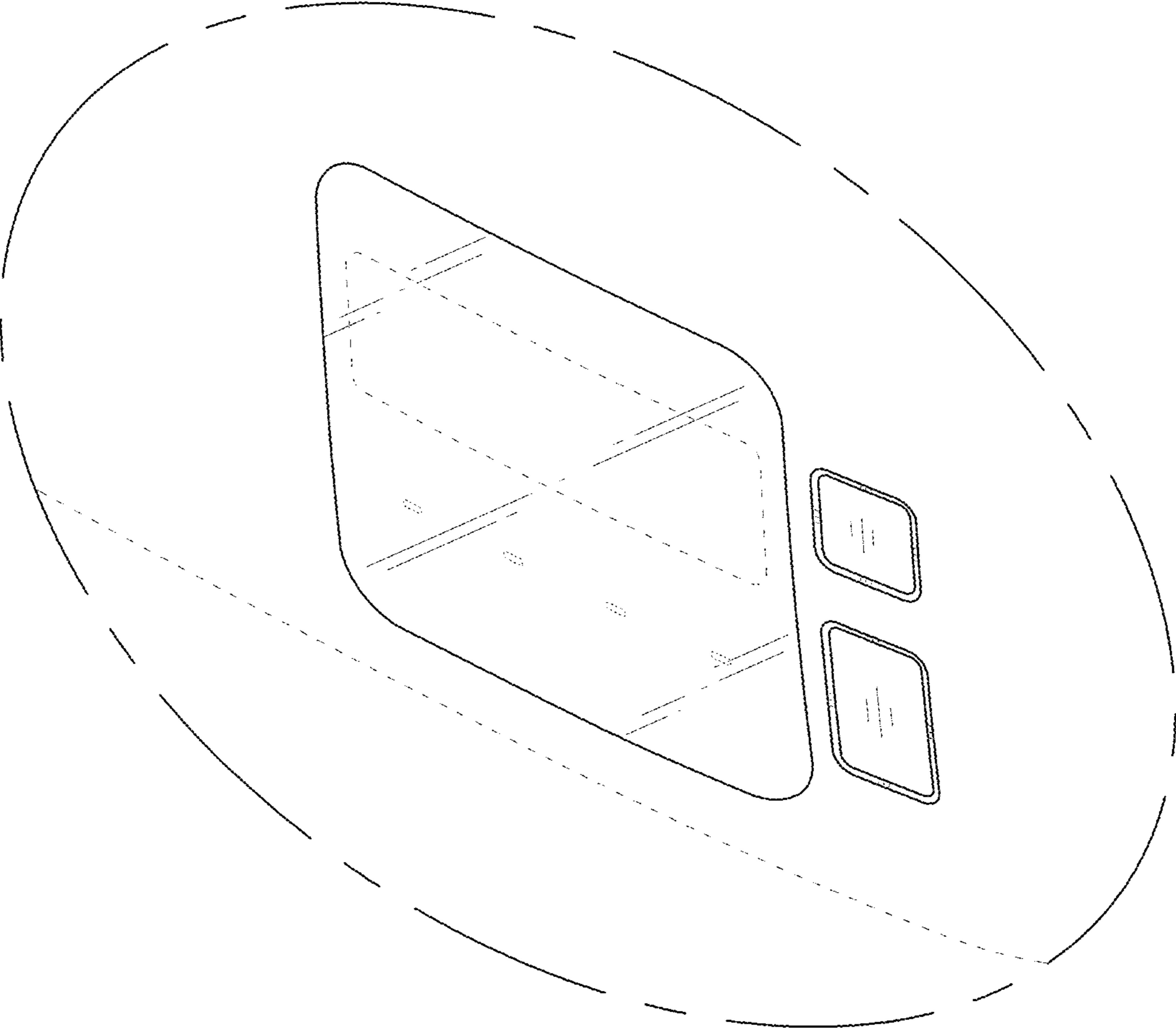


FIG. 25

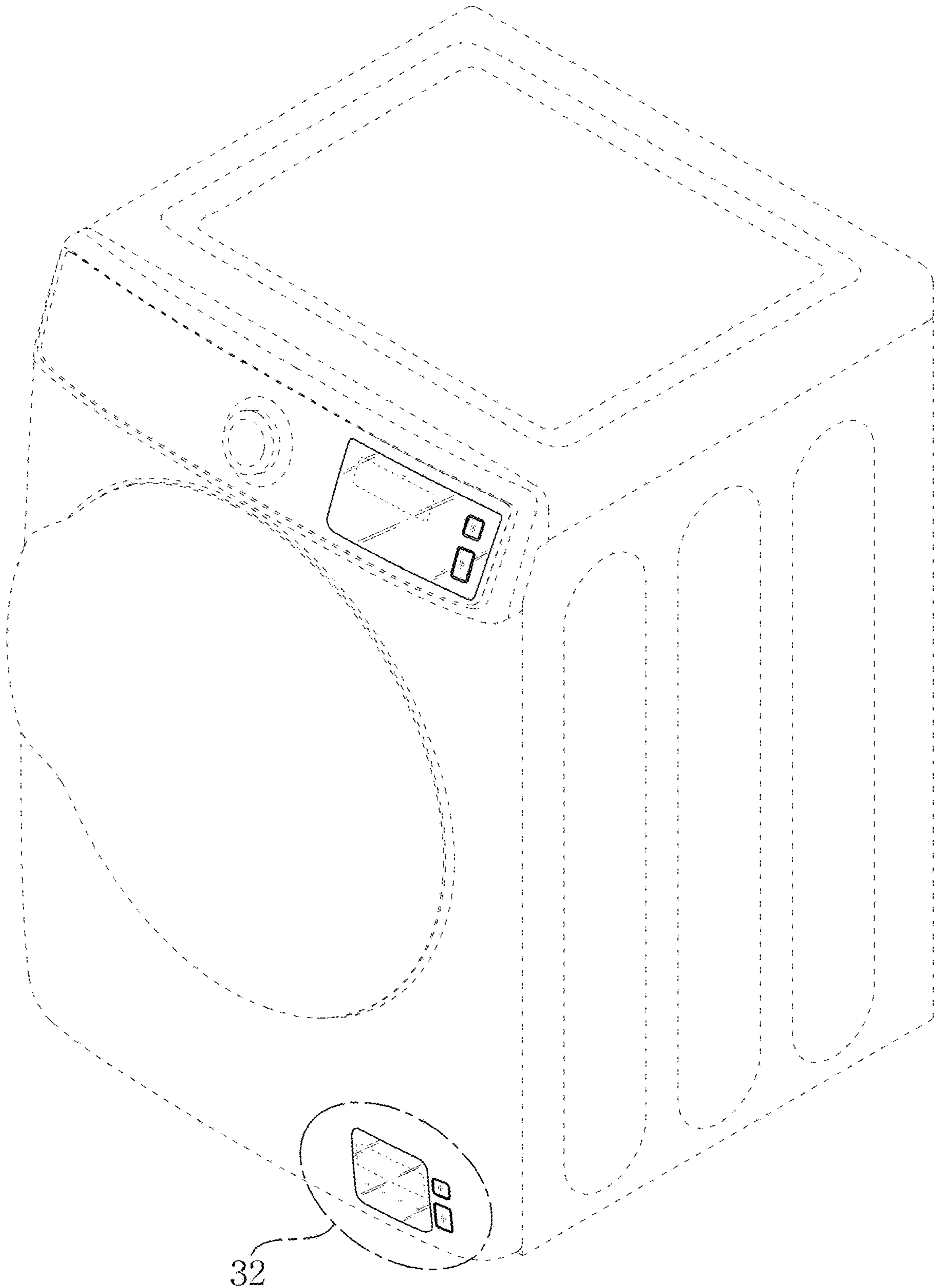


FIG. 26

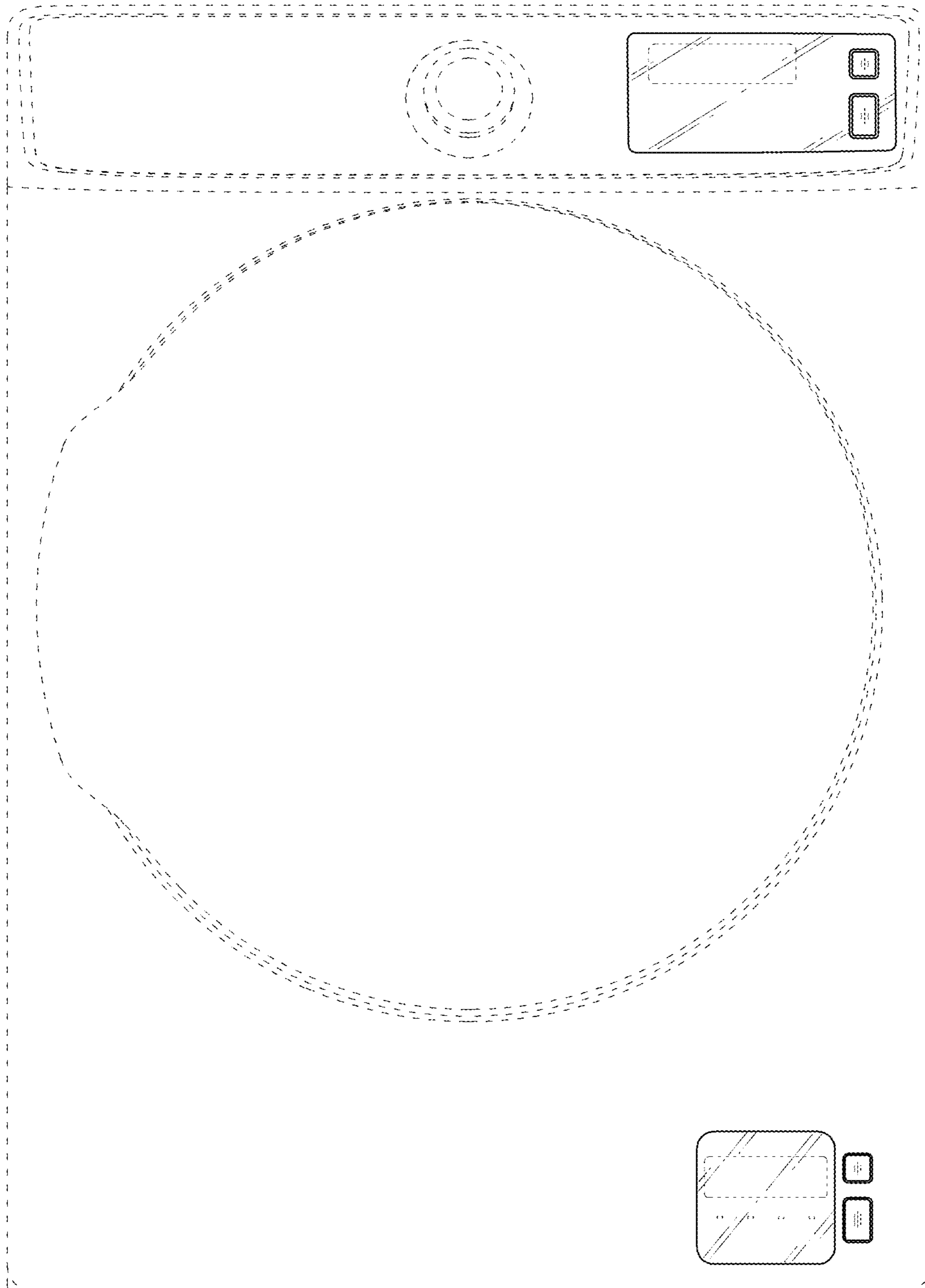


FIG. 27

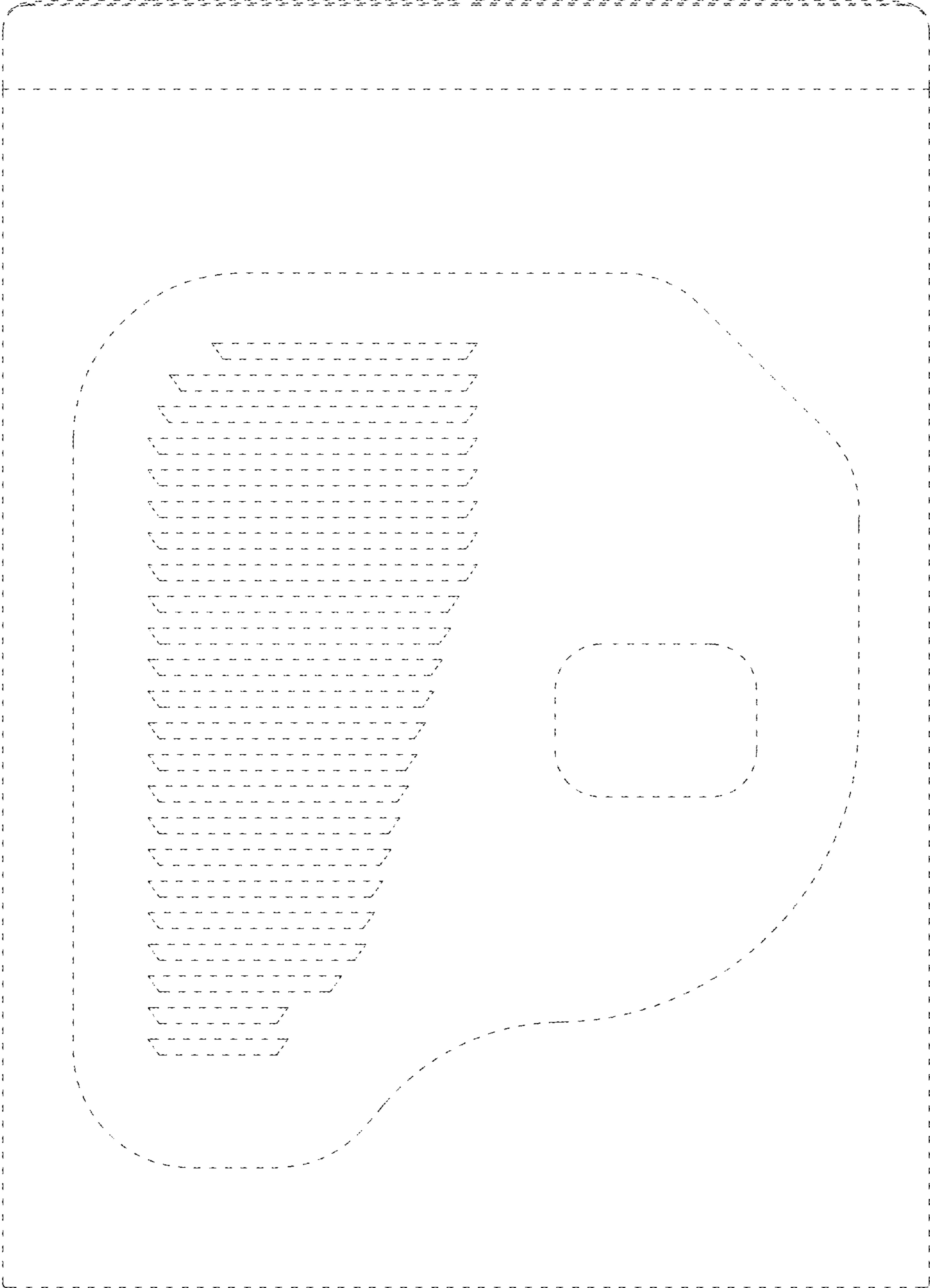


FIG. 28

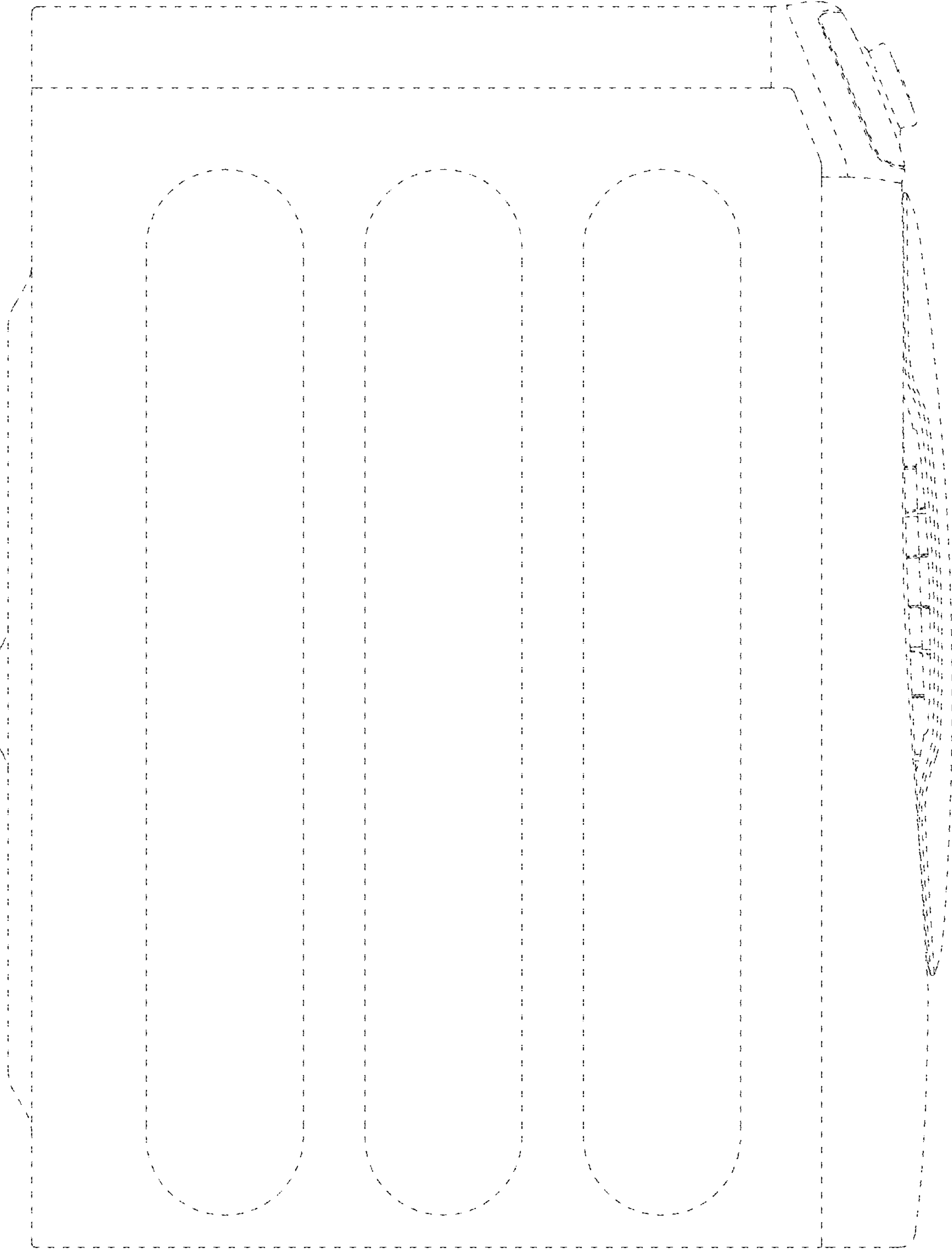


FIG. 29

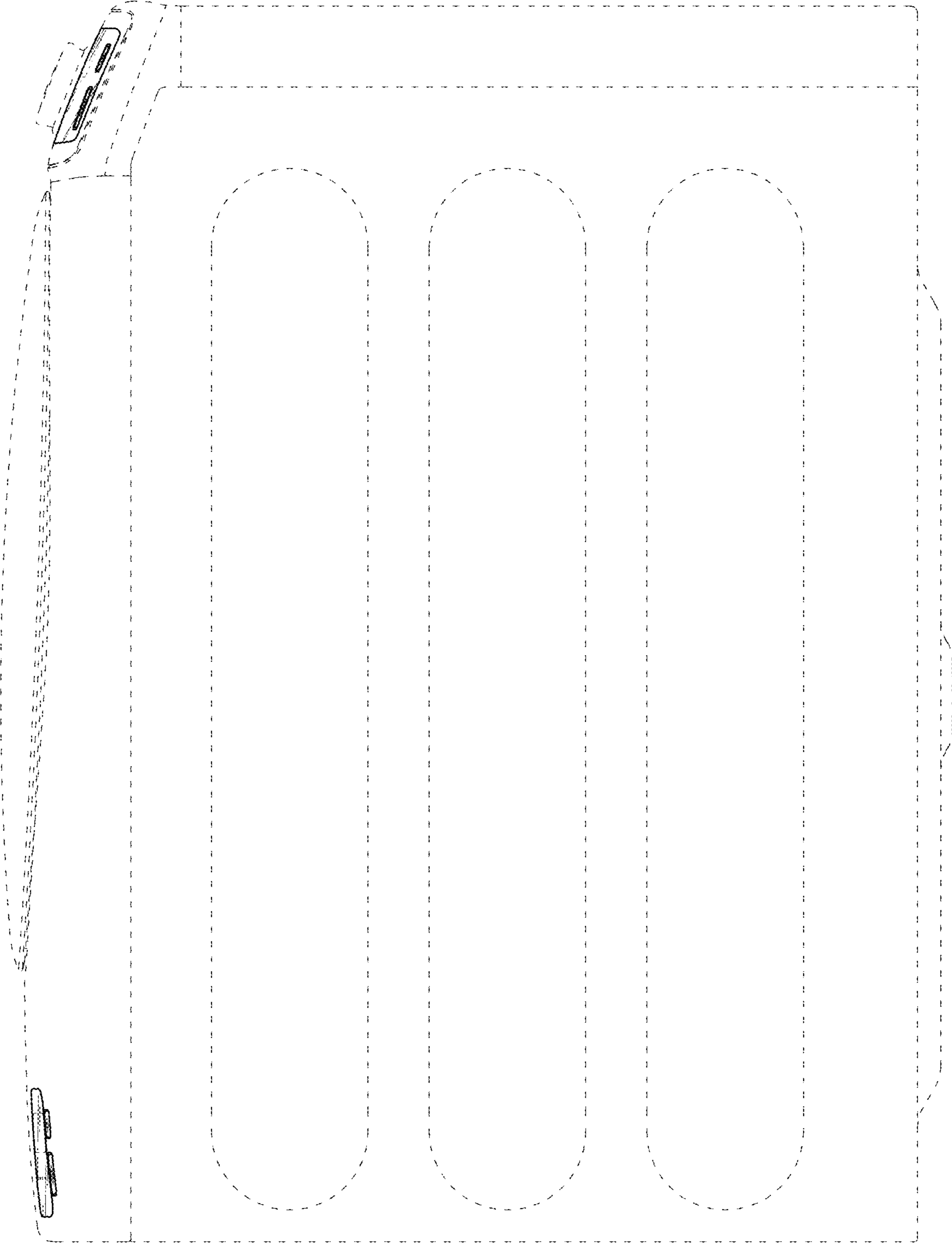


FIG. 30

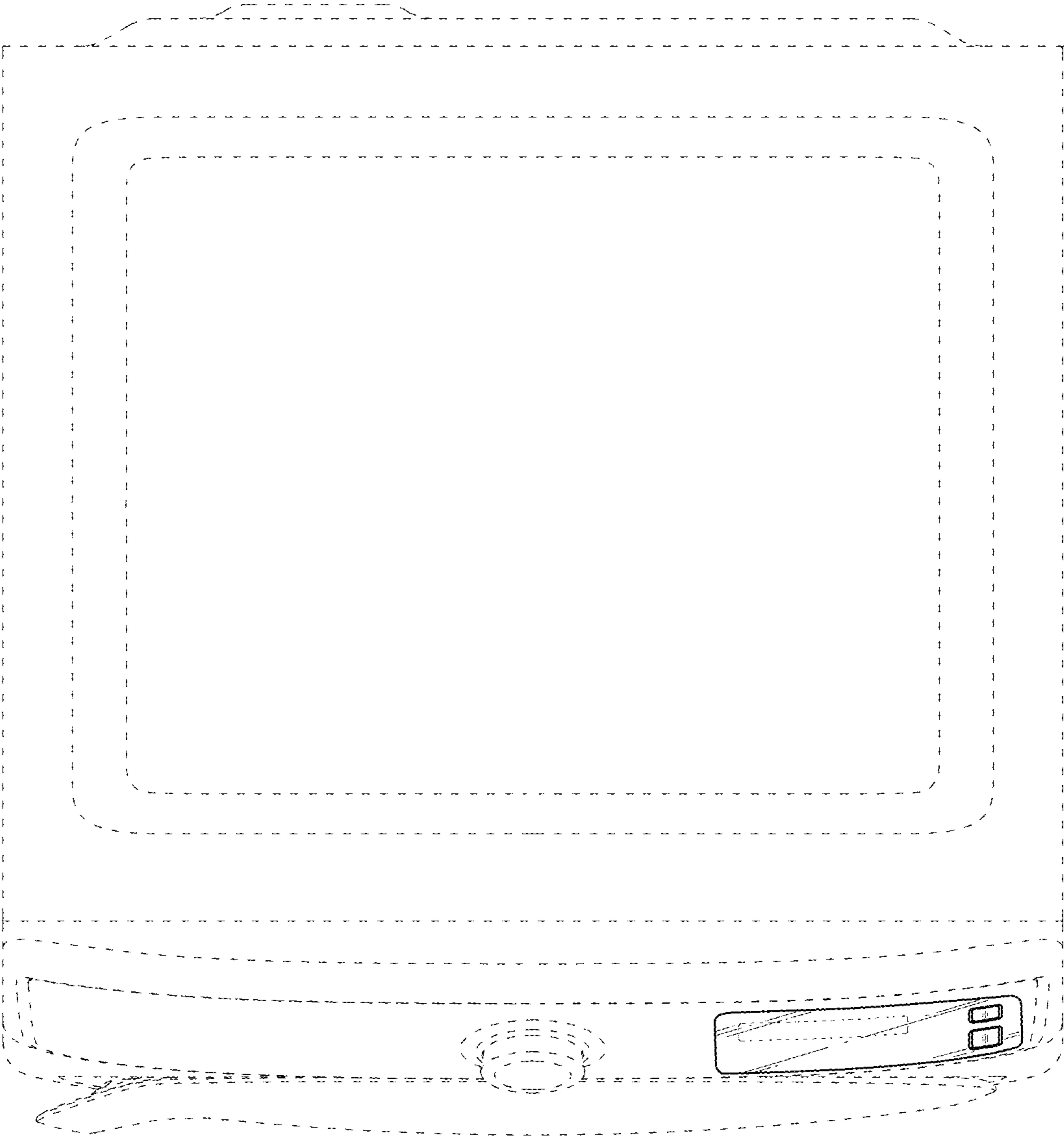


FIG. 31

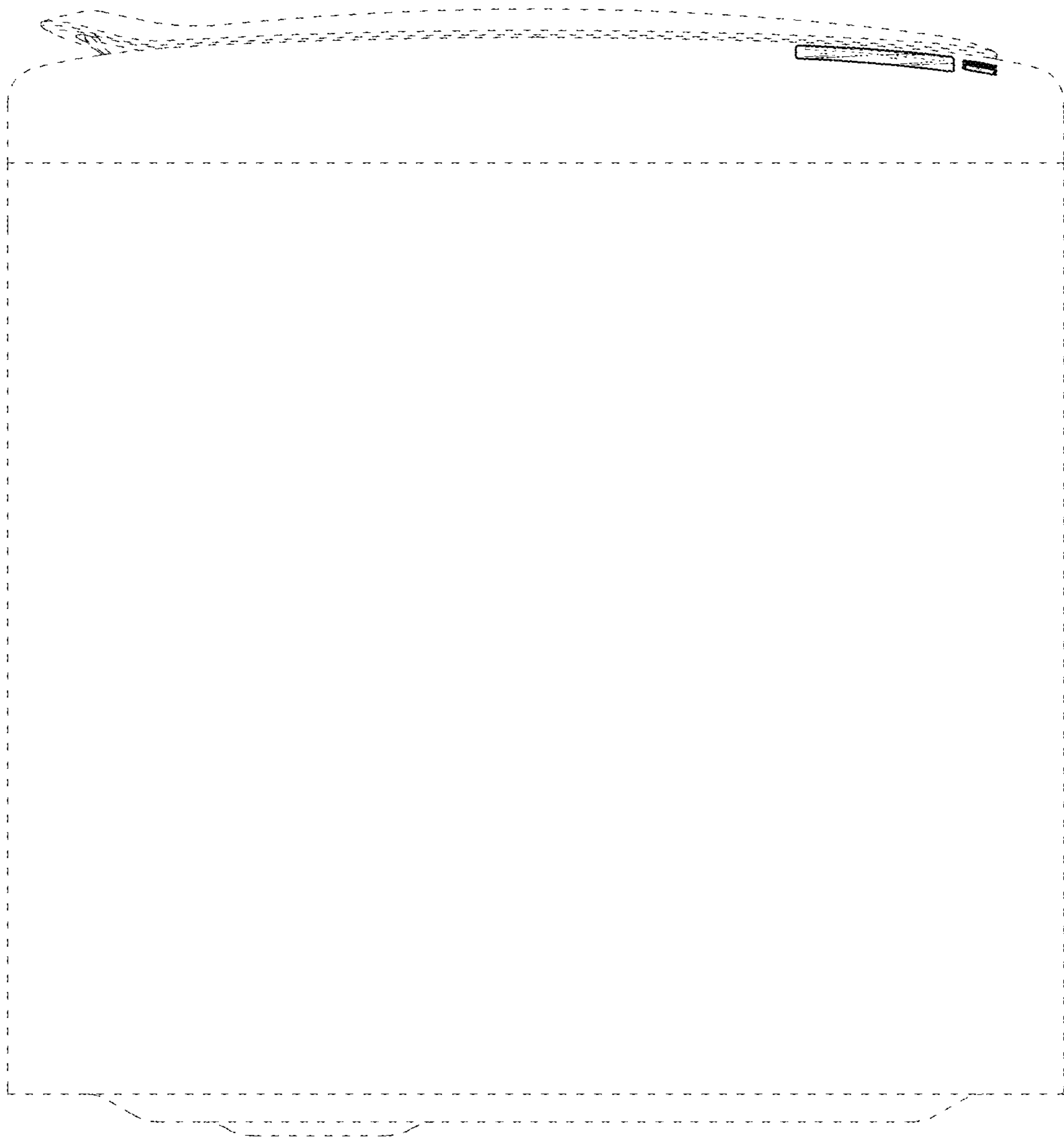


FIG. 32

