



US00D870989S

(12) **United States Design Patent**  
**Penland**

(10) **Patent No.:** **US D870,989 S**

(45) **Date of Patent:** **\*\* Dec. 24, 2019**

(54) **TREATMENT APPLICATOR**

(71) Applicant: **Brandon Penland**, Linwood, NJ (US)

(72) Inventor: **Brandon Penland**, Linwood, NJ (US)

(\*\*) Term: **15 Years**

(21) Appl. No.: **29/699,282**

(22) Filed: **Jul. 24, 2019**

**Related U.S. Application Data**

(63) Continuation of application No. 29/662,852, filed on Sep. 10, 2018, now Pat. No. Des. 862,008, which is  
(Continued)

(51) **LOC (12) Cl.** ..... **30-99**

(52) **U.S. Cl.**

USPC ..... **D30/199**; D24/130; D24/112; D24/129

(58) **Field of Classification Search**

USPC ..... D30/199; 119/650, 174, 600-603; 604/48, 93.01, 118, 121, 117, 122-125, 604/181, 171, 187, 189, 192, 195, 196, 604/198, 199, 197, 200, 207, 218, 221, 604/223, 227, 228, 235, 239, 240, 246, 604/260, 289, 290, 310, 311, 174, 263, 604/272, 256, 167.03, 177, 178; D24/129, 100, 232, 112-115, 117, 118, D24/130, 133; D9/723, 724, 702, 708; D21/387, 449, 447, 451, 441, 436, 438; 473/578; 446/61-68; D12/321

CPC ..... A61D 7/00; A61D 7/04; A61B 17/205; B65D 83/00; B65D 83/0005; B65D 83/0055; B65D 83/0083; B65D 83/0094; B65D 83/02; B65D 83/14; B65D 2221/00; B65D 2231/00; B65D 2517/00; B65D 47/06; A61M 5/178; A61M 5/20; A61M 5/30; A61M 5/31; A61M 5/3129; A61M 5/3135; A61M 5/3137; A61M 5/32; A61M 5/31511; A61M 2005/1585; A61M 2005/2006; A61M 2005/2013; A61M 2005/202; A61M 2005/2033;

A61M 2005/2053; A61M 2005/2093; A61M 2005/3101; A61M 2005/3131; A61M 2005/3132; A61M 2005/3139; A61M 2005/314; A61M 2005/3142; A61M 2005/3126; A61M 2205/59; A61M 2205/60; A61M 2205/6009; A61M 2205/6036; A61M 35/003; A61M 2250/00;

(Continued)

(56) **References Cited**

U.S. PATENT DOCUMENTS

1,568,319 A \* 1/1926 Cogswell ..... A63H 27/00  
446/61  
1,974,656 A \* 9/1934 Nelson ..... A63H 27/007  
446/62

(Continued)

*Primary Examiner* — Susan Moon Lee

(74) *Attorney, Agent, or Firm* — Eckert Seamans Cherin & Mellott, LLC; David C. Jenkins

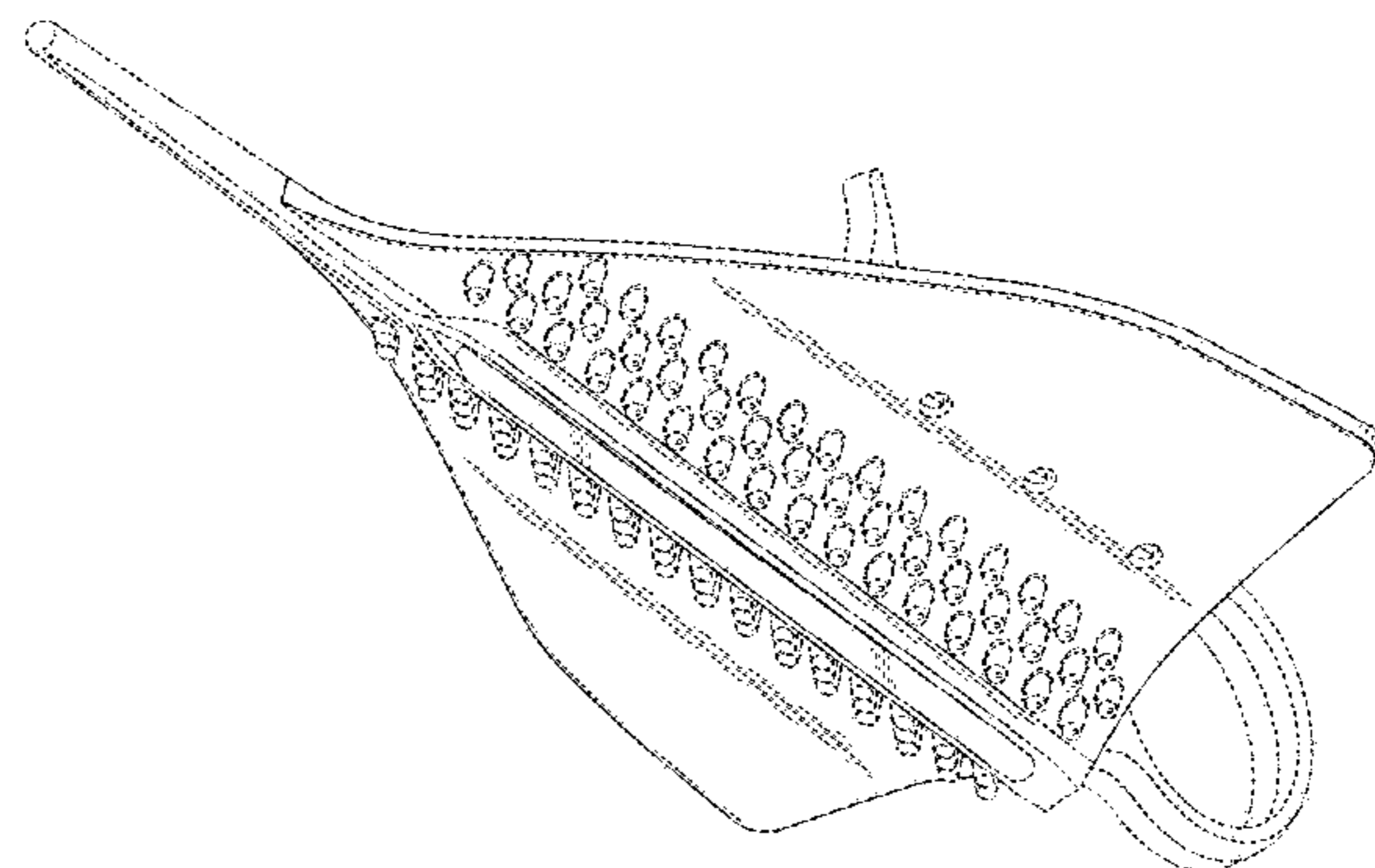
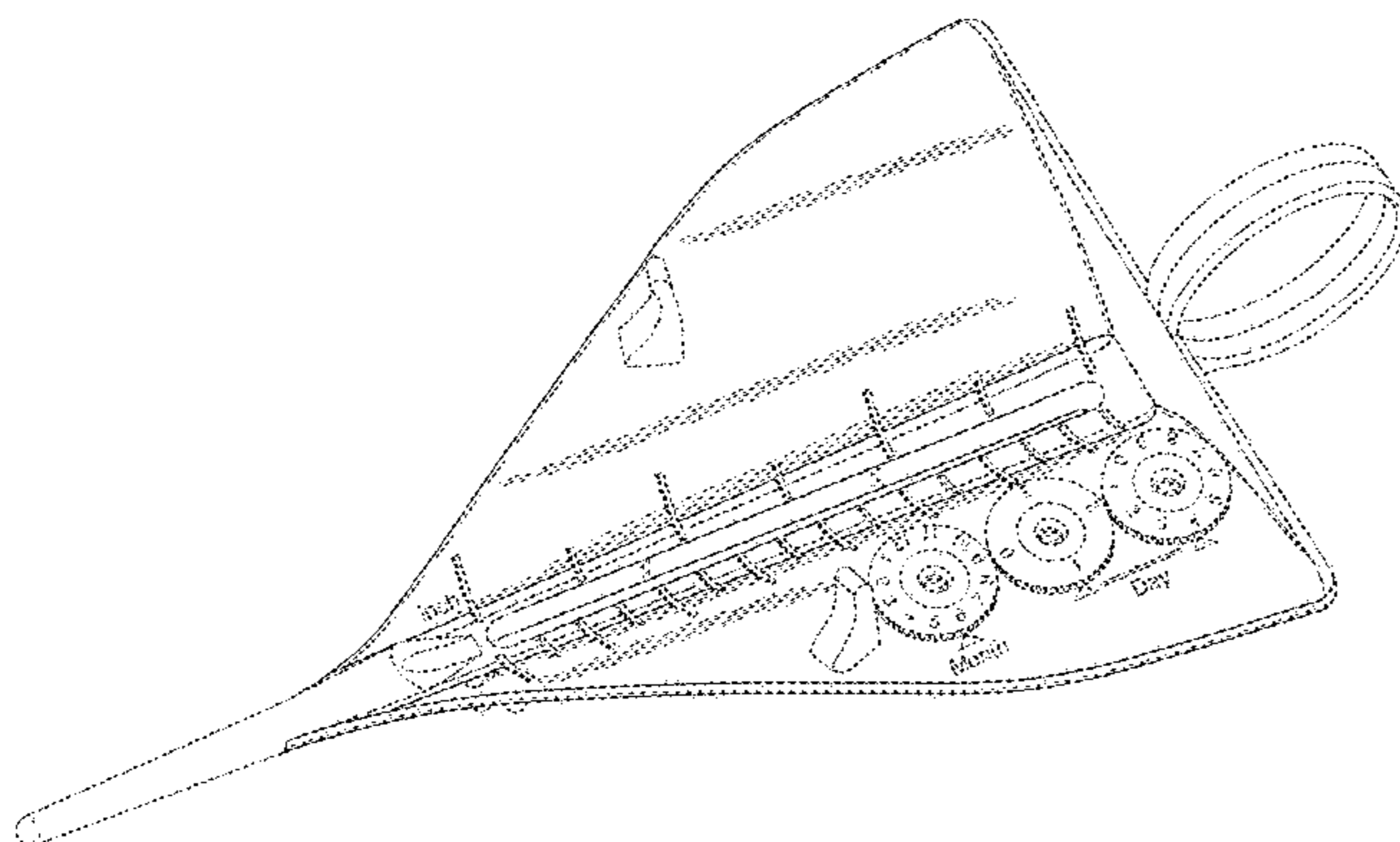
(57) **CLAIM**

The ornamental design for a treatment applicator, as shown and described.

**DESCRIPTION**

FIG. 1 is an isometric view of the treatment applicator; FIG. 2 is a top view of the treatment applicator; FIG. 3 is a bottom view of the treatment applicator; FIG. 4 is a left view of the treatment applicator; FIG. 5 is a right view of the treatment applicator; FIG. 6 is a back view of the treatment applicator; FIG. 7 is a front view of the treatment applicator; and, FIG. 8 is another isometric view of the treatment applicator. The dashed lines are for the purpose of illustrating environmental subject matter that forms no part of the claimed design.

**1 Claim, 7 Drawing Sheets**



# US D870,989 S

### Related U.S. Application Data

a continuation of application No. 29/587,586, filed on Dec. 14, 2016, now Pat. No. Des. 828,653.

(58) **Field of Classification Search**

CPC .... A01K 29/00; A01K 13/003; A61J 7/0053; A63H 27/00; A63H 27/001; A63H 27/007; A63H 27/04; A63H 27/06; F42B 6/003; F42B 6/006; F42B 6/08; F42B 6/06; F42B 6/04

See application file for complete search history.

(56)

### References Cited

#### U.S. PATENT DOCUMENTS

<p>D132,131 S * 4/1942 Mull ..... D21/387</p> <p>D184,453 S 2/1959 Noble</p> <p>2,921,404 A 1/1960 Lescher</p> <p>3,063,191 A * 11/1962 Main ..... A63H 27/00 446/61</p> <p>D202,754 S * 11/1965 Naftolin et al. .... D24/114</p> <p>3,246,425 A * 4/1966 Miller ..... A63H 27/00 446/61</p> <p>3,425,695 A * 2/1969 Kestenbaum ..... F42B 6/003 473/585</p> <p>D213,985 S 4/1969 Marshall</p> <p>3,482,410 A 12/1969 Roesky et al.</p> <p>3,537,451 A * 11/1970 Beck ..... A61M 25/0111 604/165.03</p> <p>3,576,086 A 4/1971 Halsey</p> <p>3,596,910 A * 8/1971 Rizzo ..... F42B 6/003 473/585</p> <p>D223,043 S * 2/1972 Raines ..... D24/112</p> <p>3,640,275 A * 2/1972 Burke ..... A61M 25/0637 604/177</p> <p>3,680,253 A 8/1972 Spencer</p> <p>D224,727 S * 9/1972 Rychlik ..... D24/112</p> <p>3,714,734 A 2/1973 Livingston</p> <p>3,733,737 A 5/1973 Goodman</p> <p>3,752,423 A 8/1973 Schaeffer</p> <p>3,754,349 A 8/1973 Wallace</p> <p>D232,650 S 9/1974 Martin</p> <p>3,839,818 A * 10/1974 Heggedal ..... A63H 27/007 446/62</p> <p>3,898,763 A 8/1975 Rizzo</p> <p>D236,997 S 9/1975 Koval</p> <p>D240,441 S 7/1976 Rizzo</p> <p>4,020,835 A 5/1977 Nordstrom et al.</p> <p>D249,378 S 9/1978 Takahashi</p> <p>4,122,626 A 10/1978 Waters</p> <p>4,125,960 A 11/1978 Bacca</p> <p>D251,454 S 3/1979 Takahashi</p> <p>4,170,084 A 10/1979 Fierheller</p> <p>4,170,993 A * 10/1979 Alvarez ..... A61M 25/0637 128/DIG. 26</p> <p>D254,559 S * 3/1980 Chmela ..... D21/387</p> <p>4,192,304 A * 3/1980 Millet ..... A61M 25/02 251/9</p> <p>D257,997 S 1/1981 Hoeft</p> <p>4,257,187 A 3/1981 Waters</p> <p>D262,729 S 1/1982 Barrett</p> <p>D263,322 S 3/1982 Godbout</p> <p>4,324,236 A * 4/1982 Gordon ..... A61M 25/0637 128/DIG. 26</p> <p>4,332,103 A 6/1982 Shulman</p> <p>4,354,491 A 10/1982 Marbry</p> <p>4,375,138 A 3/1983 Chotia</p> <p>4,411,249 A 10/1983 Fogarty et al.</p> <p>4,512,690 A * 4/1985 Johnson ..... A63H 27/00 446/61</p> <p>D280,221 S 8/1985 Hoge, IV</p> <p>D281,338 S 11/1985 Gorick et al.</p> <p>D287,882 S * 1/1987 Glash ..... D24/112</p> <p>D288,005 S * 1/1987 Glash ..... D24/130</p> <p>4,655,720 A * 4/1987 Renger ..... A63H 27/00 446/61</p>	<p>4,698,057 A * 10/1987 Joishy ..... A61M 25/02 128/DIG. 26</p> <p>4,713,057 A 12/1987 Huttner et al.</p> <p>4,743,265 A * 5/1988 Whitehouse ..... A61M 25/0612 604/161</p> <p>4,840,613 A * 6/1989 Balbierz ..... A61M 5/158 604/163</p> <p>4,969,876 A * 11/1990 Patterson ..... A61M 25/0631 604/110</p> <p>5,013,277 A 5/1991 Hufeld</p> <p>5,078,639 A * 1/1992 Kippen ..... A63H 27/00 446/34</p> <p>5,141,497 A * 8/1992 Erskine ..... A61M 25/0606 604/160</p> <p>5,154,432 A * 10/1992 Saunders ..... F42B 6/06 473/578</p> <p>5,167,647 A * 12/1992 Wijkamp ..... A61M 25/0043 604/532</p> <p>5,176,655 A * 1/1993 McCormick ..... A61M 5/3275 604/192</p> <p>5,306,258 A * 4/1994 de la Fuente ..... A61M 5/3271 604/110</p> <p>5,330,449 A * 7/1994 Prichard ..... A61M 25/0014 156/294</p> <p>5,382,240 A * 1/1995 Lam ..... A61M 25/0631 604/110</p> <p>D361,797 S * 8/1995 Kulik ..... D21/387</p> <p>5,484,420 A * 1/1996 Russo ..... A61M 25/02 604/174</p> <p>5,489,273 A * 2/1996 Whitney ..... A61M 25/0637 604/160</p> <p>5,498,247 A * 3/1996 Brimhall ..... A61M 39/0606 604/244</p> <p>D381,419 S * 7/1997 Musgrave ..... D24/108</p> <p>5,651,776 A * 7/1997 Appling ..... A61M 39/10 285/332</p> <p>5,669,803 A * 9/1997 Sweed ..... A63H 27/00 244/154</p> <p>5,674,201 A * 10/1997 Steinman ..... A61M 25/02 604/165.03</p> <p>5,676,656 A * 10/1997 Brimhall ..... A61M 25/0606 604/162</p> <p>5,697,914 A * 12/1997 Brimhall ..... A61M 25/0637 604/164.01</p> <p>5,814,021 A * 9/1998 Balbierz ..... A61M 25/02 128/888</p> <p>5,876,381 A 3/1999 Pond et al.</p> <p>D417,471 S * 12/1999 Stark ..... D21/387</p> <p>D425,943 S * 5/2000 Kurtz ..... D21/387</p> <p>6,074,265 A * 6/2000 Barthold ..... A63H 27/00 446/61</p> <p>6,139,392 A * 10/2000 Walker ..... A63H 27/00 446/34</p> <p>6,139,532 A * 10/2000 Howell ..... A61M 25/0637 604/165.03</p> <p>D433,503 S * 11/2000 Powers ..... D24/112</p> <p>6,197,006 B1 3/2001 Wiklund</p> <p>6,203,456 B1 * 3/2001 Ossege ..... F41B 5/12 473/578</p> <p>6,228,073 B1 5/2001 Noone et al.</p> <p>6,254,577 B1 7/2001 Huet</p> <p>6,283,950 B1 * 9/2001 Appling ..... A61M 25/0075 600/585</p> <p>D450,118 S * 11/2001 Hyde ..... D24/112</p> <p>D450,119 S * 11/2001 Rose ..... D24/112</p> <p>D450,382 S * 11/2001 Nestenborg ..... D24/112</p> <p>D451,599 S * 12/2001 Crawford ..... D24/112</p> <p>D451,600 S * 12/2001 Crawford ..... D24/112</p> <p>D451,601 S * 12/2001 Crawford ..... D24/112</p> <p>D454,637 S * 3/2002 Nestenborg ..... D24/112</p> <p>6,358,230 B1 3/2002 Davey</p> <p>D458,994 S * 6/2002 Cindrigh ..... D24/130</p> <p>D459,802 S * 7/2002 Cindrigh ..... D24/130</p> <p>6,443,152 B1 * 9/2002 Lockhart ..... A61M 15/0028 128/203.21</p> <p>6,524,297 B1 * 2/2003 Newman ..... A61M 5/425 604/304</p>
---	---

(56)

References Cited

U.S. PATENT DOCUMENTS

D480,140 S *	9/2003	Harding	.....	D24/130	D749,214 S	2/2016	Uenishi et al.
6,629,956 B1 *	10/2003	Polidoro	.....	A61M 25/0637 604/164.01	9,248,234 B2	2/2016	Barron
D481,765 S	11/2003	Solomon, Jr.			9,259,533 B2	2/2016	Weilbacher et al.
D482,078 S	11/2003	Solomon, Jr.			9,278,180 B2	3/2016	Wong
6,641,555 B1	11/2003	Botich et al.			D769,444 S	10/2016	Mosler et al.
D483,815 S	12/2003	Solomon, Jr.			9,468,740 B2	10/2016	Bierman et al.
6,719,727 B2 *	4/2004	Brimhall	.....	A61M 25/0631 604/165.03	9,480,821 B2	11/2016	Cicccone et al.
D491,266 S *	6/2004	Cindrich	.....	D24/130	D775,330 S	12/2016	Blennow et al.
D492,031 S *	6/2004	Cindrich	.....	D24/130	9,522,254 B2	12/2016	Belson
D498,844 S *	11/2004	Diamond	.....	D24/130	D777,325 S	1/2017	Aneas
6,936,036 B2	8/2005	Wilkinson et al.			D780,914 S	3/2017	Kyvik et al.
D515,211 S *	2/2006	Chesnin	.....	D24/129	D782,658 S	3/2017	Young
6,997,912 B1 *	2/2006	Tristan	.....	A61M 5/158 604/192	9,623,192 B2	4/2017	Chin et al.
7,060,060 B1 *	6/2006	Simpson	.....	A61M 25/065 604/177	9,662,441 B2	5/2017	Vaillancourt et al.
7,112,190 B2	9/2006	Bressler et al.			9,682,329 B1	6/2017	Goitein
D539,903 S	4/2007	Strong			9,700,701 B2	7/2017	Benjamin et al.
D540,468 S	4/2007	Mori			D793,552 S	8/2017	Schiller et al.
D542,413 S	5/2007	Mori			D804,663 S	12/2017	Jenkins
D546,446 S	7/2007	Chesnin			D806,802 S	1/2018	Gould et al.
7,258,685 B2	8/2007	Kerr			D806,803 S	1/2018	Gould et al.
D553,737 S	10/2007	Rolfe			D808,013 S	1/2018	Chheda et al.
D561,896 S	2/2008	Jones			9,861,784 B2	1/2018	Wilkinson
D572,820 S	7/2008	Gallogly et al.			9,878,130 B2	1/2018	Crawford
7,422,573 B2	9/2008	Wilkinson et al.			9,924,898 B2	3/2018	Hwang et al.
D579,561 S	10/2008	Call et al.			D817,482 S	5/2018	Howell et al.
D590,057 S	4/2009	Lulla et al.			9,962,526 B2	5/2018	White et al.
D590,499 S	4/2009	Chesnin			D819,802 S	6/2018	Burkholz et al.
D592,302 S	5/2009	Stokes et al.			10,058,651 B1 *	8/2018	Iwasaki ..... A61M 5/1626
7,578,805 B2	8/2009	Hwang			D828,653 S *	9/2018	Penland ..... D30/199
7,606,609 B2	10/2009	Muranushi et al.			D835,262 S	12/2018	Burkholz et al.
D604,411 S	11/2009	Gomez			D837,368 S	1/2019	Burkholz et al.
7,611,486 B2	11/2009	Jones et al.			2002/0068921 A1 *	6/2002	McWethy ..... A61M 5/3257 604/506
D607,100 S	12/2009	Uchida et al.			2002/0099342 A1	7/2002	Zurcher
7,625,357 B2	12/2009	Yang			2002/0169418 A1	11/2002	Menzi et al.
D608,886 S	1/2010	Rueckert et al.			2004/0143195 A1	7/2004	Bressler et al.
D612,938 S	3/2010	Grogan			2004/0186446 A1	9/2004	Ohshima
7,670,317 B2	3/2010	Cindrich et al.			2004/0192157 A1 *	9/2004	Zwiegers ..... A63H 27/00 446/61
7,678,076 B2	3/2010	Crawford			2004/0199124 A1 *	10/2004	Conte ..... A61M 5/3213 604/192
7,691,088 B2	4/2010	Howell			2005/0070849 A1	3/2005	Yang
D615,649 S	5/2010	Zinn et al.			2005/0090783 A1	4/2005	Sibbitt, Jr.
D617,447 S	6/2010	Hajarian et al.			2006/0052755 A1	3/2006	Lim et al.
7,753,878 B2	7/2010	Jones et al.			2006/0116645 A1 *	6/2006	Whitfield ..... A61M 5/24 604/187
D625,004 S	10/2010	McGrady et al.			2006/0135910 A1	6/2006	Luther et al.
D625,409 S	10/2010	Chesnin et al.			2006/0184129 A1 *	8/2006	Bierman ..... A61M 25/02 604/180
D625,410 S	10/2010	Chesnin et al.			2006/0271001 A1	11/2006	Hirota et al.
7,806,869 B2	10/2010	Nilsson et al.			2007/0052926 A1 *	3/2007	Li ..... A61F 9/0026 351/212
D628,244 S	11/2010	Fish			2007/0066937 A1 *	3/2007	Jones ..... A61M 5/158 604/110
7,824,378 B2	11/2010	Jones et al.			2007/0093778 A1 *	4/2007	Cindrich ..... A61M 5/158 604/500
8,007,337 B1	8/2011	DeMasi, Sr.			2007/0173359 A1 *	7/2007	Mowery ..... F42B 6/06 473/578
8,052,649 B2	11/2011	Wright			2007/0250037 A1 *	10/2007	Brimhall ..... A61M 25/0637 604/512
8,066,670 B2	11/2011	Cluff et al.			2008/0021422 A1	1/2008	Couason et al.
D654,586 S	2/2012	Hogerwerf et al.			2008/0038298 A1 *	2/2008	Barnikol-Keuten ..... A61K 9/1075 424/400
D673,227 S	12/2012	Robins et al.			2008/0108949 A1 *	5/2008	Beasley ..... A61M 25/02 604/180
8,337,461 B2	12/2012	Burkholz			2008/0132141 A1 *	6/2008	Dorius ..... A63H 27/001 446/61
8,348,789 B1	1/2013	Walterscheid			2008/0249504 A1	10/2008	Lattouf et al.
8,357,121 B2	1/2013	Burkholz			2009/0082733 A1	3/2009	Fujii
D682,422 S	5/2013	Anderson et al.			2009/0306601 A1	12/2009	Shaw et al.
D684,258 S	6/2013	Luethy et al.			2009/0318881 A1 *	12/2009	Shennib ..... A61M 25/0612 604/250
8,500,690 B2	8/2013	Crawford			2010/0063455 A1	3/2010	Moyer et al.
8,585,655 B2	11/2013	Bierman			2010/0082002 A1	4/2010	Baid
8,591,473 B2	11/2013	Jones et al.			2010/0136873 A1 *	6/2010	Hollis ..... A63H 27/007 446/62
D701,956 S	4/2014	Bengochea et al.					
D711,749 S	8/2014	Kim et al.					
D715,423 S	10/2014	Rogers					
D715,931 S	10/2014	Watanabe et al.					
8,974,407 B2	3/2015	Finke					
D726,906 S	4/2015	Reed					
D729,065 S	5/2015	Muhl et al.					
D731,641 S	6/2015	Du					
D732,160 S	6/2015	Du					
D732,658 S	6/2015	Bengochea et al.					

(56)

References Cited

U.S. PATENT DOCUMENTS

2010/0249713	A1 *	9/2010	Burkholz .....	A61M 25/0612 604/177	2016/0339221	A1 *	11/2016	Patterson .....	A61M 35/003
2012/0061286	A1	3/2012	Hueb De Menezes Oliveira et al.		2017/0072180	A1	3/2017	Balboni et al.	
2012/0071831	A1	3/2012	Erskine		2017/0119997	A1	5/2017	Burkholz et al.	
2012/0184910	A1	7/2012	Woehr		2017/0120001	A1	5/2017	Hyer et al.	
2012/0220945	A1	8/2012	Rizzo et al.		2017/0120008	A1	5/2017	Burkholz et al.	
2012/0265159	A1	10/2012	Kaufman		2017/0120009	A1	5/2017	Garrison et al.	
2012/0279413	A1	11/2012	Bittle et al.		2017/0120010	A1	5/2017	Burkholz et al.	
2013/0004229	A1	1/2013	Kirk, III et al.		2017/0120011	A1	5/2017	Burkholz et al.	
2013/0079735	A1	3/2013	Hartman et al.		2017/0120014	A1	5/2017	Harding et al.	
2013/0150791	A1	6/2013	Peterson et al.		2017/0120015	A1	5/2017	Burkholz et al.	
2013/0218082	A1	8/2013	Hyer et al.		2017/0120016	A1	5/2017	Burkholz et al.	
2014/0031768	A1	1/2014	Takaki		2017/0120017	A1	5/2017	Burkholz et al.	
2014/0107584	A1	4/2014	Rosenberg et al.		2017/0209654	A1	7/2017	Sebban et al.	
2014/0148830	A1	5/2014	Bowman		2017/0232190	A1	8/2017	Bybordi	
2015/0151209	A1	6/2015	Vanderbeek et al.		2017/0266383	A1	9/2017	Youssefirad	
2015/0285600	A1	10/2015	Cummings		2017/0274182	A1	9/2017	O'Bryan et al.	
2015/0306349	A1	10/2015	Bonnal		2017/0281870	A1	10/2017	Kai et al.	
2015/0327653	A1	11/2015	Decaux et al.		2017/0319822	A1	11/2017	Ang	
2015/0352333	A1 *	12/2015	Arellano Cabrera .....	A61M 25/0631 604/110	2018/0001036	A1	1/2018	Shah	
2015/0360014	A1	12/2015	Decaux et al.		2018/0093085	A1	4/2018	Burkholz et al.	
2016/0158504	A1	6/2016	Balboni et al.		2018/0161558	A1	6/2018	Penland	
					2018/0318557	A1	11/2018	Burkholz et al.	
					2019/0022357	A1 *	1/2019	Burkholz .....	A61M 25/0014
					2019/0022367	A1	1/2019	Burkholz et al.	
					2019/0054270	A1 *	2/2019	Bornhoft .....	A61M 25/0606
					2019/0159806	A1 *	5/2019	Roche Rebollo .....	A61B 17/32093

\* cited by examiner

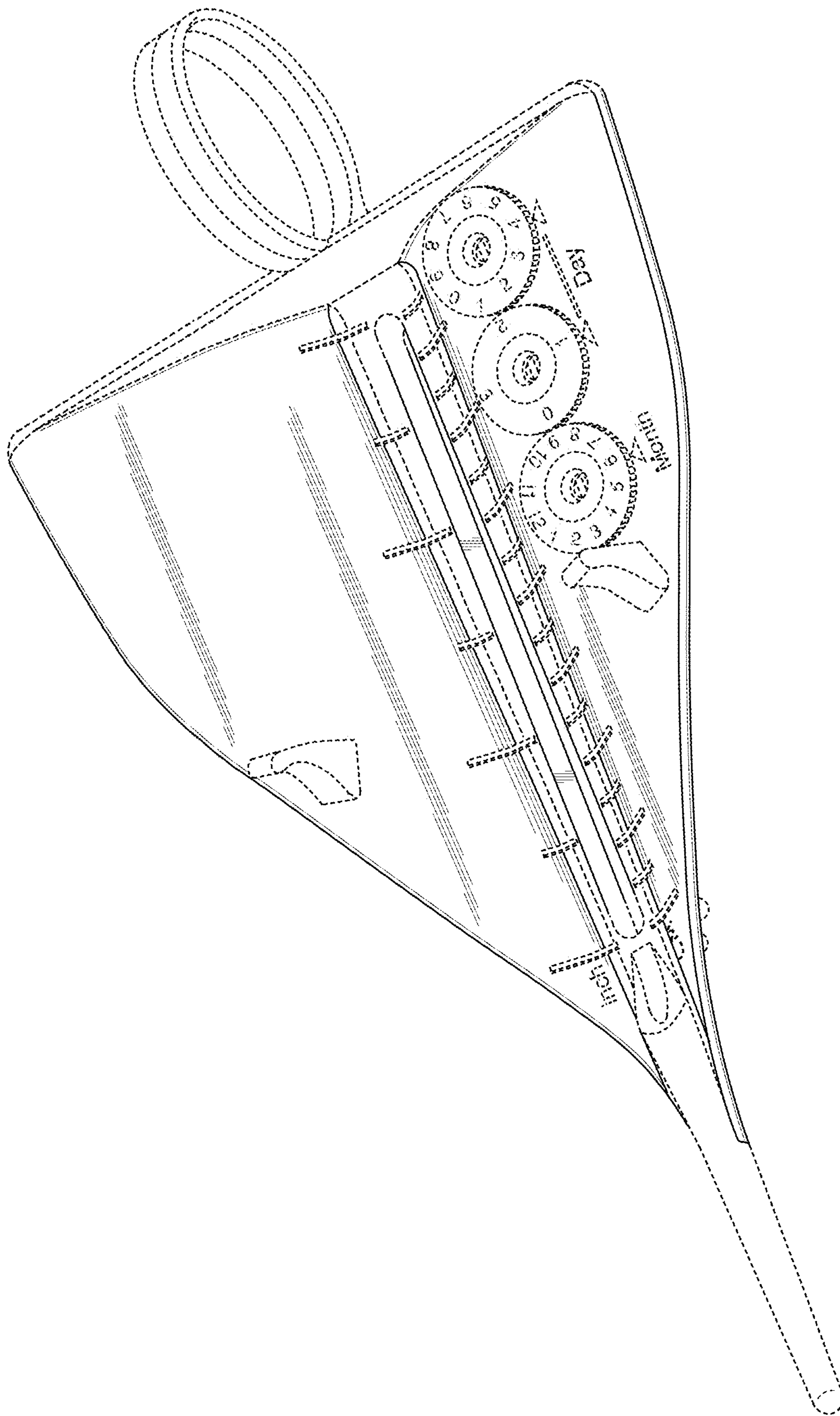


FIG. 1

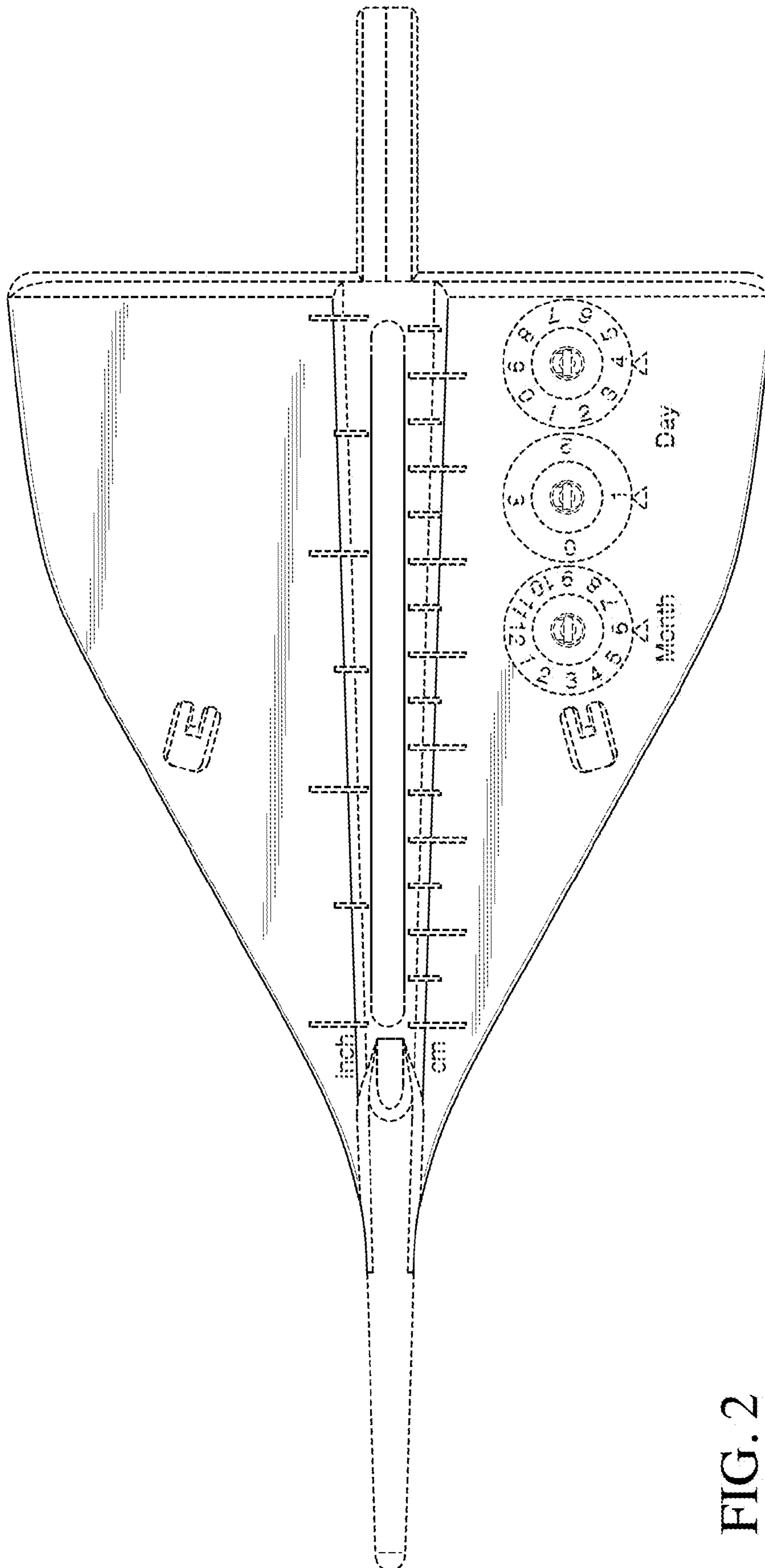


FIG. 2

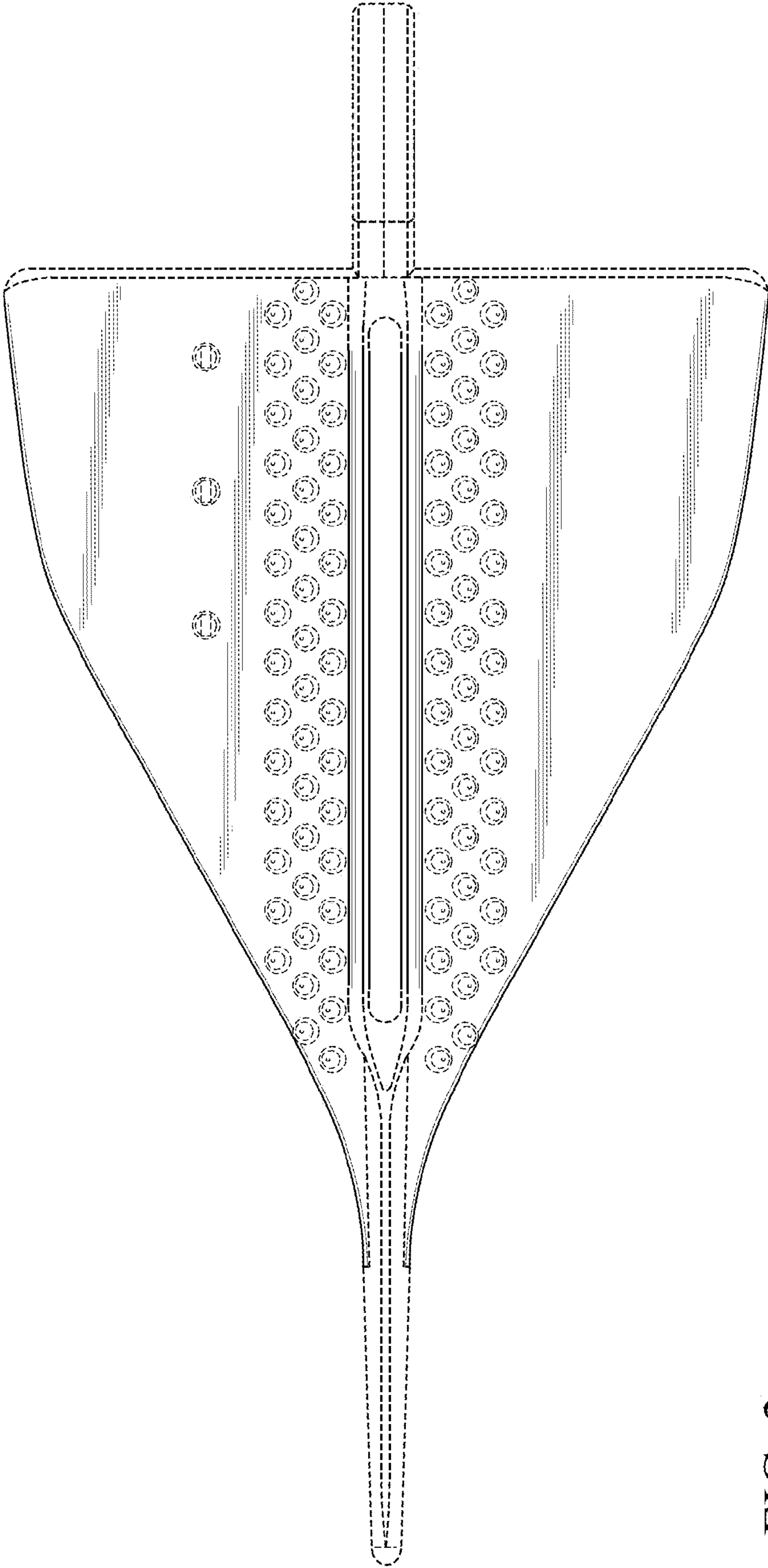


FIG. 3

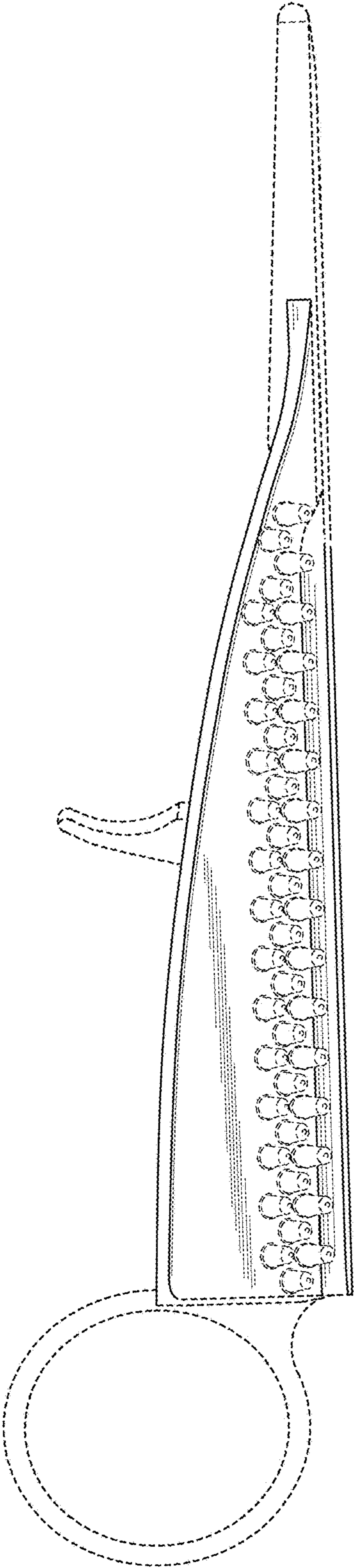


FIG. 4



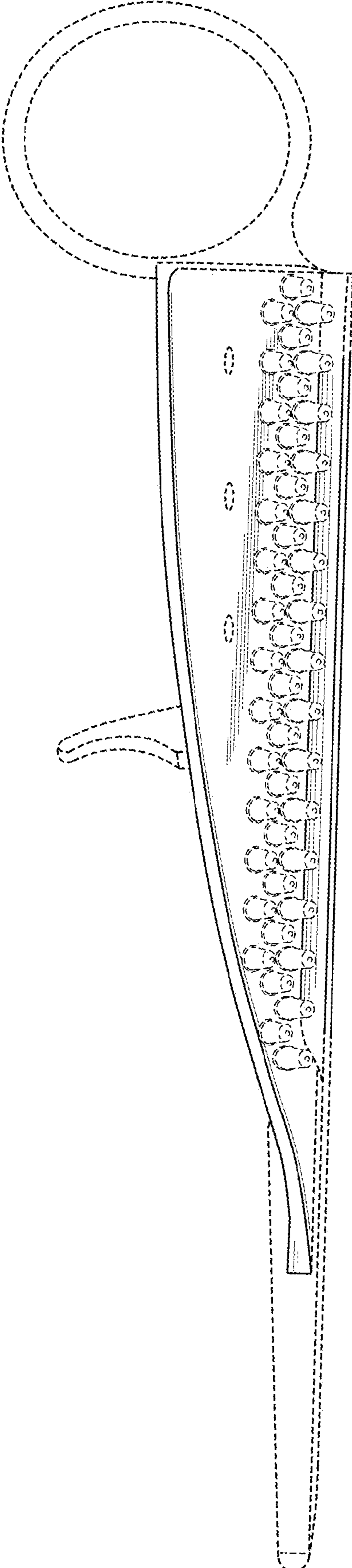


FIG. 5

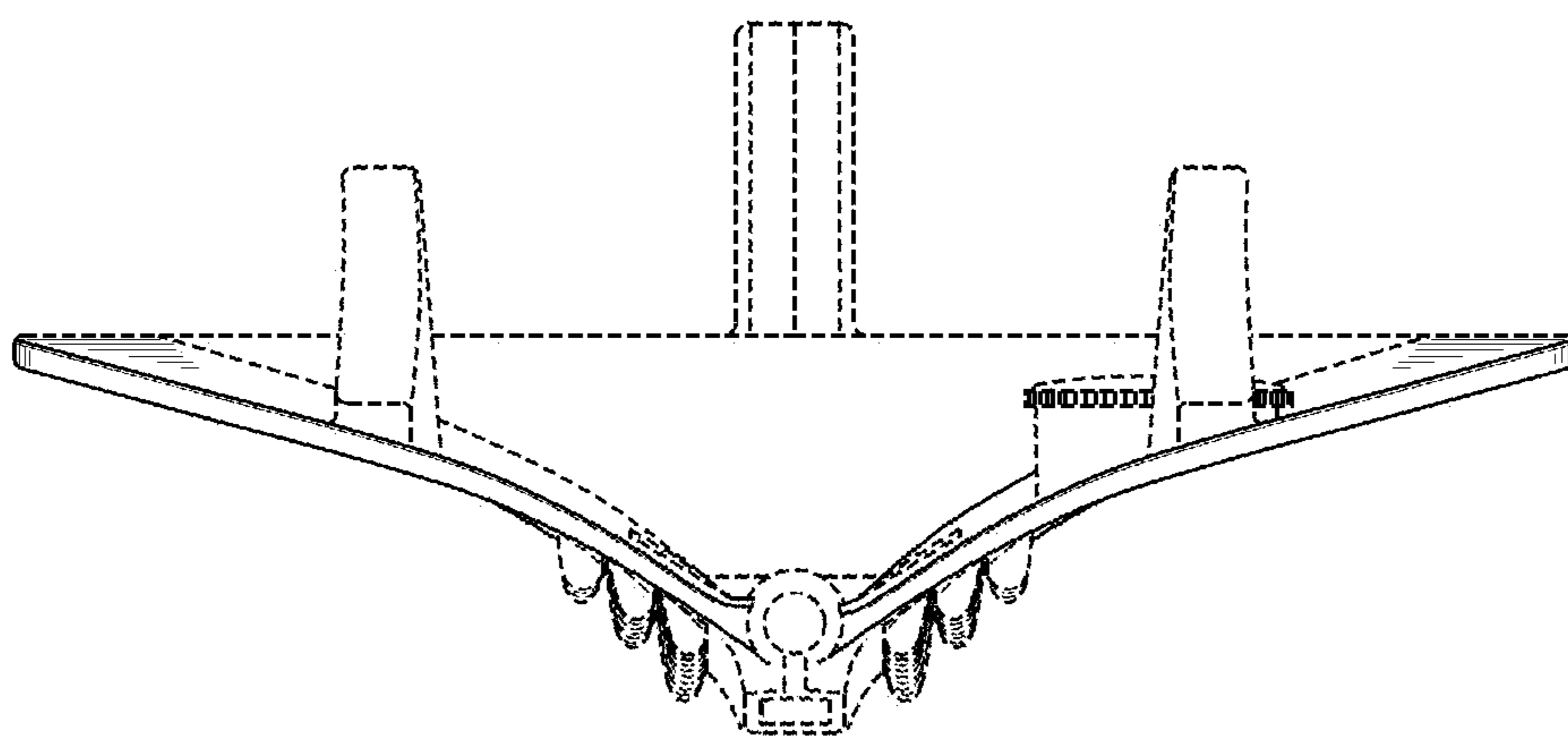


FIG. 6

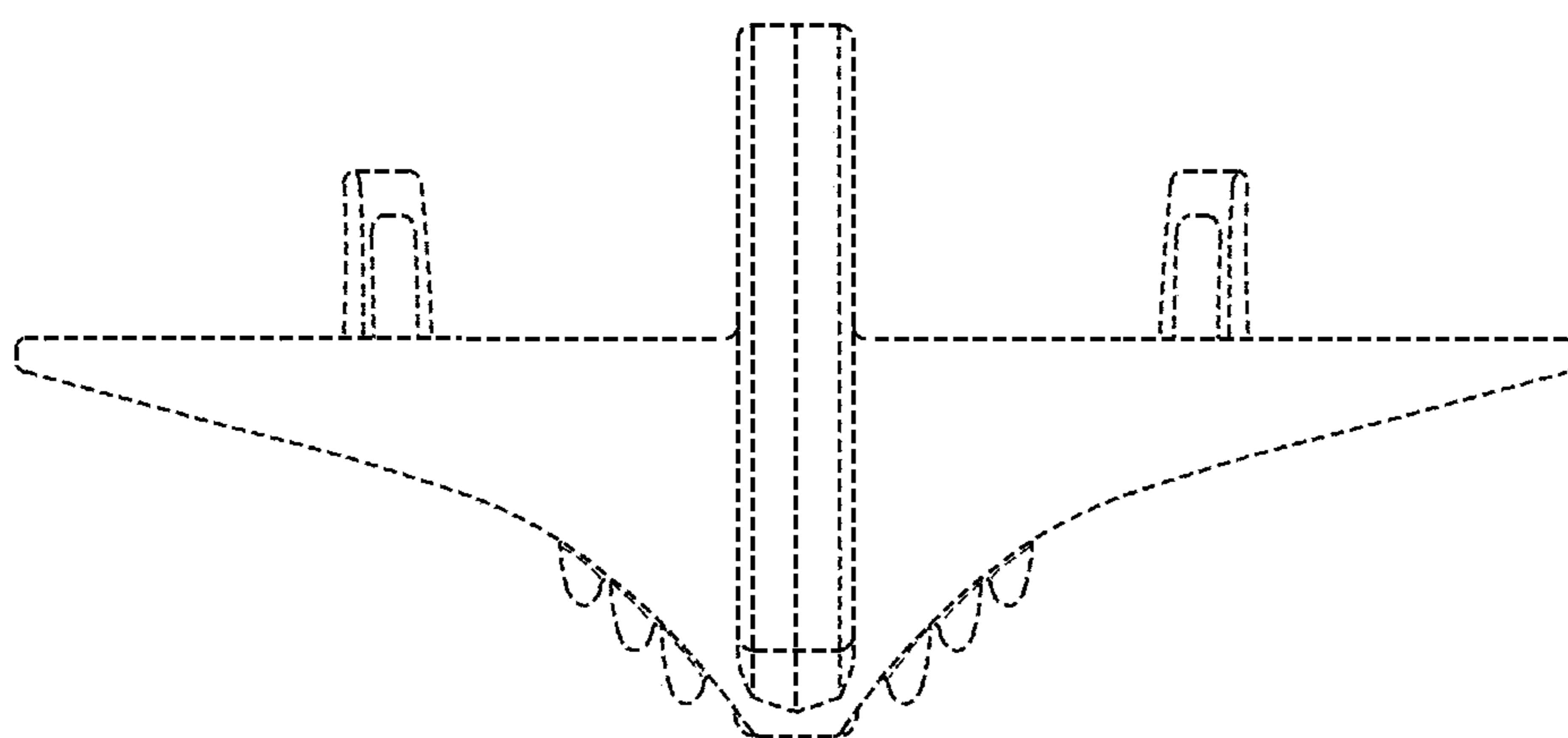


FIG. 7

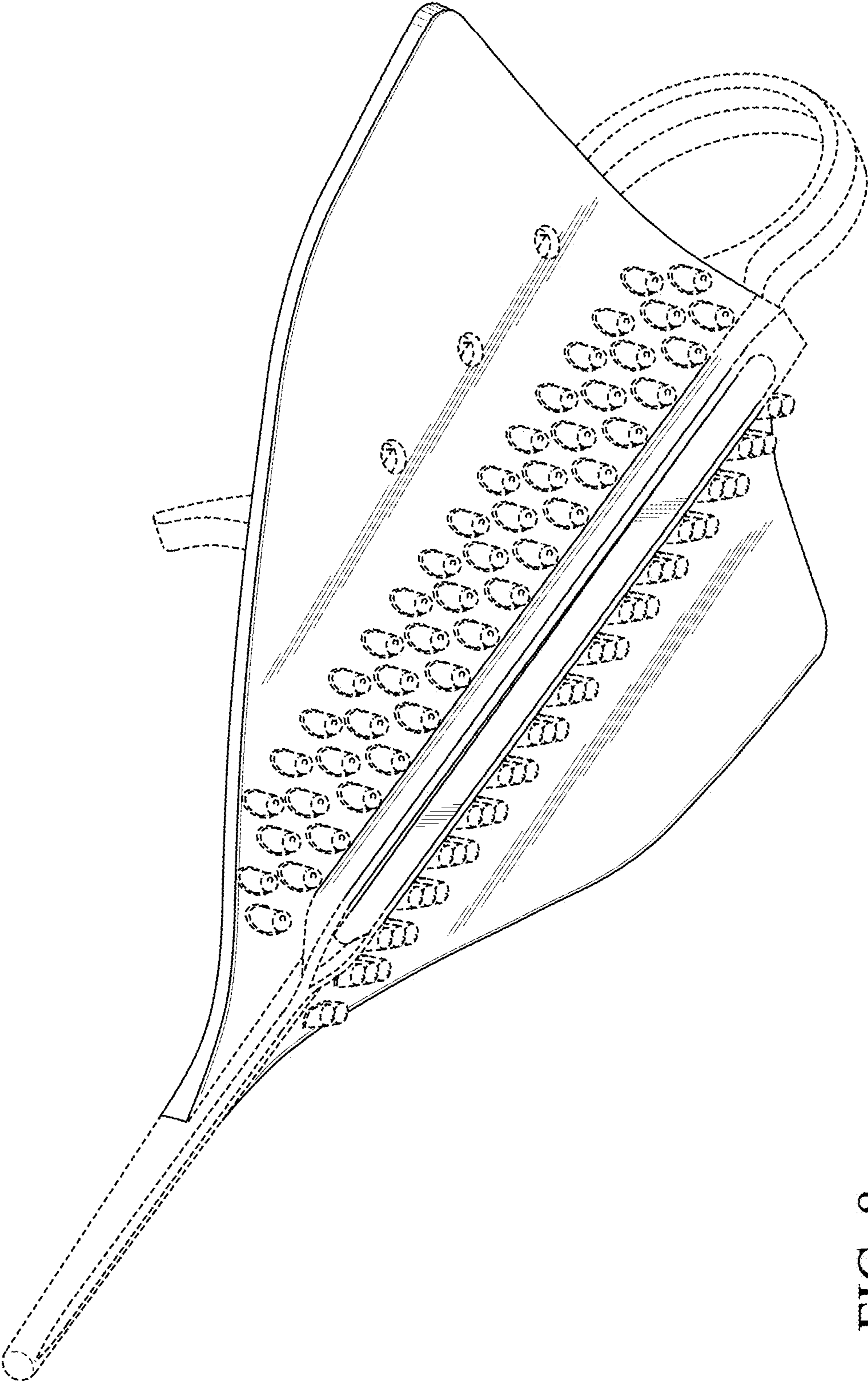


FIG. 8