



US00D870988S

(12) **United States Design Patent** (10) **Patent No.:** **US D870,988 S**
Teper et al. (45) **Date of Patent:** **** Dec. 24, 2019**

(54) **LITTER BOX**
(71) Applicant: **ModProducts, LLC**, Brooklyn, NY (US)
(72) Inventors: **Brett Teper**, Brooklyn, NY (US); **Richard Williams**, Brooklyn, NY (US)
(73) Assignee: **MODPRODUCTS, LLC**, Brooklyn, NY (US)
(**) Term: **15 Years**

D591,463 S 4/2009 Plante
D601,312 S 9/2009 Pettys
D613,914 S 4/2010 Askinasi
D616,617 S 5/2010 Cirincione
D625,057 S 10/2010 Teper et al.
D635,770 S 4/2011 Kobilarcik et al.
D646,444 S * 10/2011 Lawson D30/161
D653,818 S 2/2012 Schetlin
D663,081 S 7/2012 Chance
D685,139 S * 6/2013 Park D30/108
D690,514 S 10/2013 Shamp
D699,407 S 2/2014 Sikora
(Continued)

(21) Appl. No.: **29/667,063**
(22) Filed: **Oct. 18, 2018**
(51) **LOC (12) Cl.** **30-05**
(52) **U.S. Cl.**
USPC **D30/161**
(58) **Field of Classification Search**
USPC D30/161, 162, 199; 119/161, 163-170
CPC A01K 1/0121; A01K 1/011; A01K 1/0117;
A01K 1/0114; A01K 1/0125; A01K
1/0155; A01K 1/0154; A01K 29/00
See application file for complete search history.

OTHER PUBLICATIONS

“Modkat XL” available Jan. 13, 2018, [online], [site visited Sep. 12, 2019]. Retrieved from Internet, URL:https://www.youtube.com/watch?v=4FxYB0yxMvE (Year: 2018).*
(Continued)

Primary Examiner — Michael C Stout
Assistant Examiner — Katrina N Gonzalez
(74) *Attorney, Agent, or Firm* — Lucas & Mercanti, LLP

(56) **References Cited**

U.S. PATENT DOCUMENTS

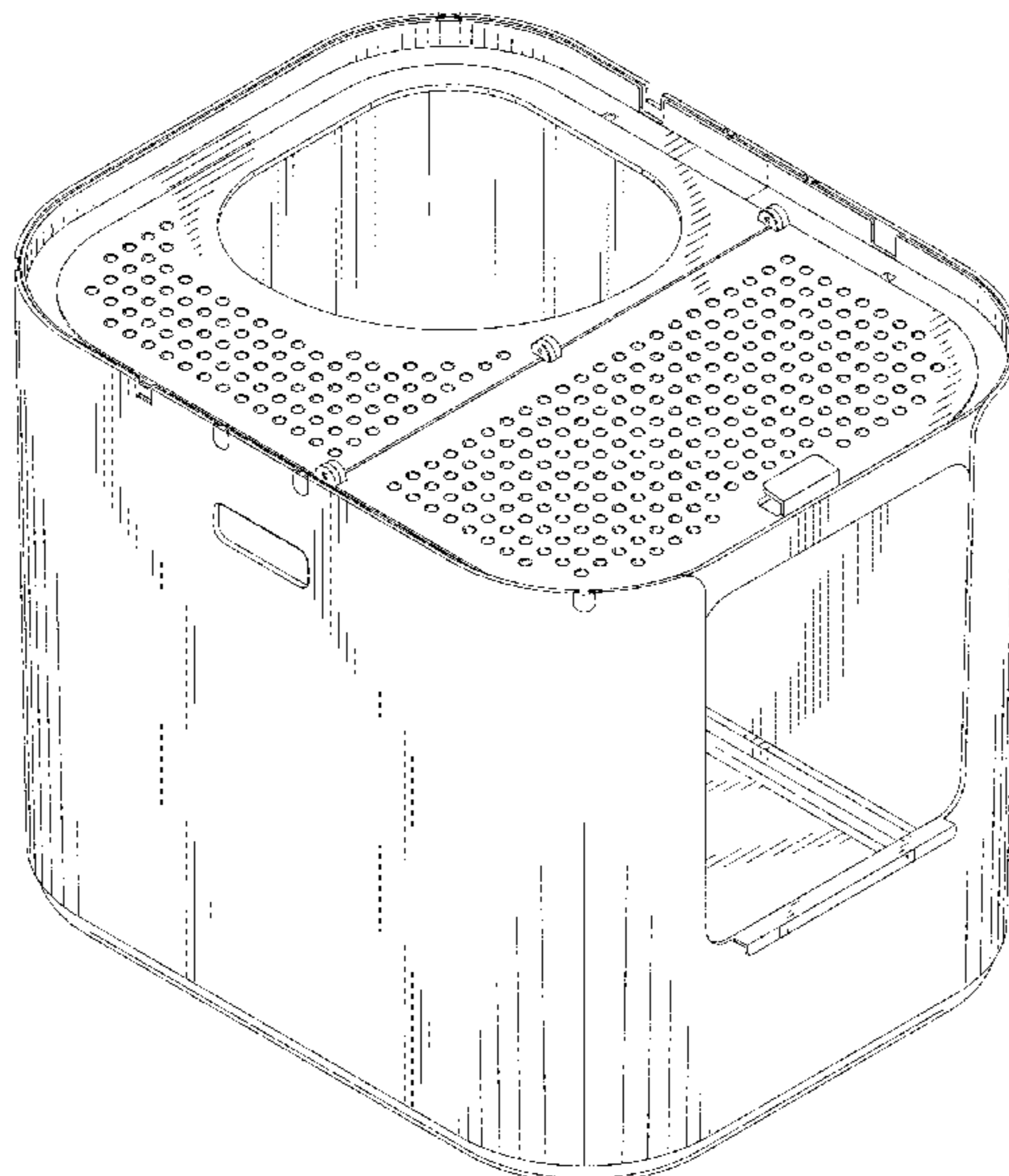
D131,147 S 1/1942 Richardson
D248,333 S * 6/1978 Haugen D30/108
D274,012 S 5/1984 Williams
D295,904 S 5/1988 McMahon
5,092,277 A 3/1992 Baillie
D425,703 S 5/2000 Ohayon
6,135,057 A 10/2000 Cummings
D464,224 S 10/2002 Moore
6,659,045 B2 12/2003 Thompson
6,662,748 B1 12/2003 Hanks
D533,687 S 12/2006 Bull
D538,539 S 3/2007 Richardson et al.
D555,293 S 11/2007 Gourkow
D583,562 S 12/2008 Ghiorghie

(57) **CLAIM**
The ornamental design for a litter box, as shown and described.

DESCRIPTION

FIG. 1 is a front left perspective view thereof;
FIG. 2 is a front right perspective view thereof;
FIG. 3 is a top view thereof;
FIG. 4 is a bottom view thereof;
FIG. 5 is a front view thereof;
FIG. 6 is a rear view thereof; and,
FIG. 7 is a right side view thereof, the left side being a mirror image thereof.
The broken lines illustrate portions of the litter box that form no part of the claimed design.

1 Claim, 7 Drawing Sheets



(56)

References Cited

U.S. PATENT DOCUMENTS

8,683,953	B2	4/2014	Ramisch	
D711,601	S	8/2014	Robbins	
D731,185	S	6/2015	Hsu	
D749,277	S *	2/2016	Avalos Sartorio	D30/161
D754,406	S *	4/2016	Karsted	D30/161
D760,445	S	6/2016	Katers	
D782,755	S	3/2017	Veness	
D784,018	S	4/2017	Shamp	
D790,856	S	7/2017	Levy	
D813,472	S *	3/2018	Veness	D30/161
D850,029	S *	5/2019	Williams	D30/161
2004/0261727	A1	12/2004	Matsuo	
2008/0060585	A1	3/2008	Garfield	
2010/0224133	A1	9/2010	Hiroshima	

OTHER PUBLICATIONS

“Modkat XL Litter Box” available Mar. 6, 2018, [online], [site visited Sep. 12, 2019]. Retrieved from Internet, URL:<https://modkat.com/collections/litter-boxes/products/modkat-xl-litter-box> (Year: 2018).*

* cited by examiner

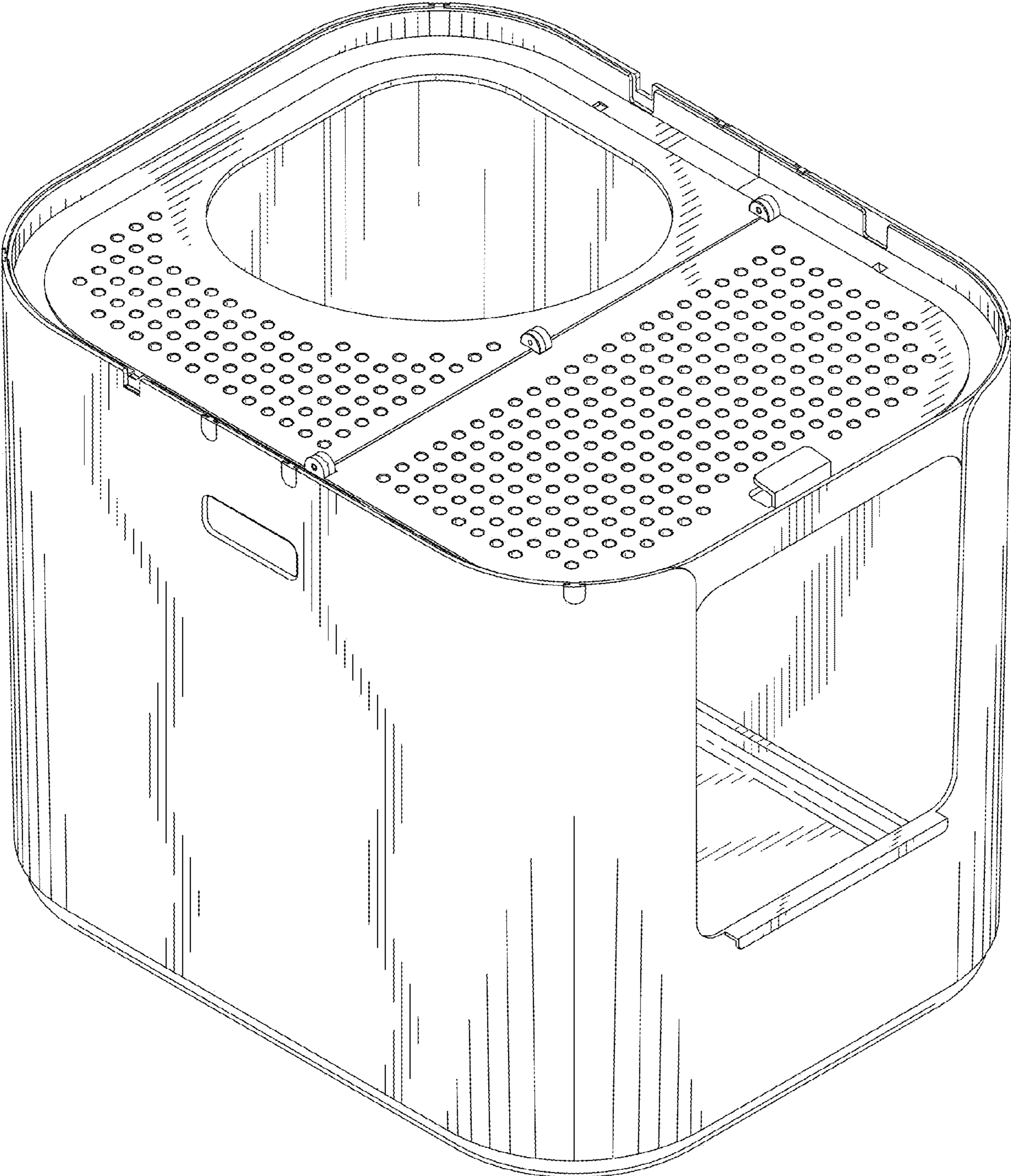


FIG. 1

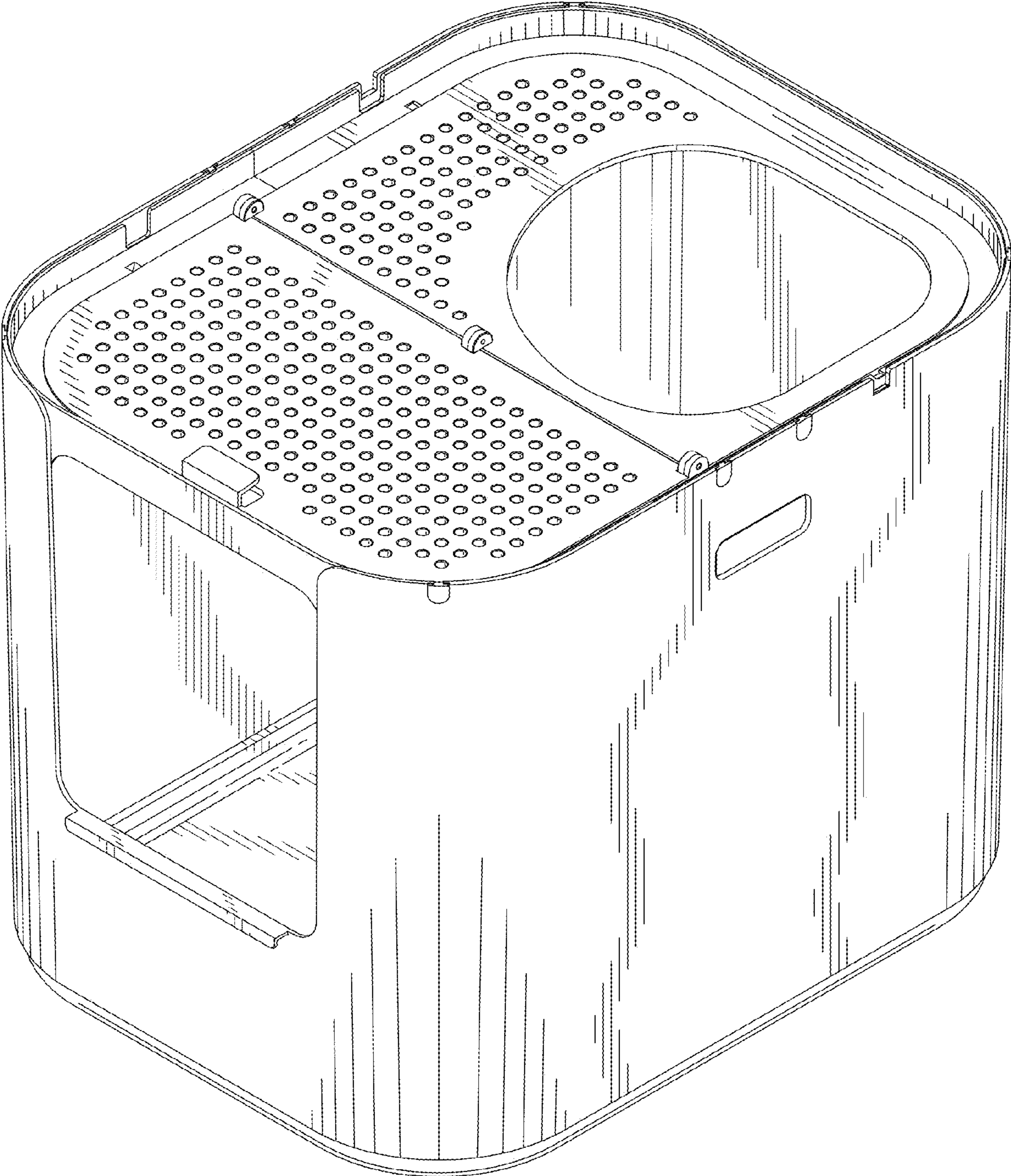
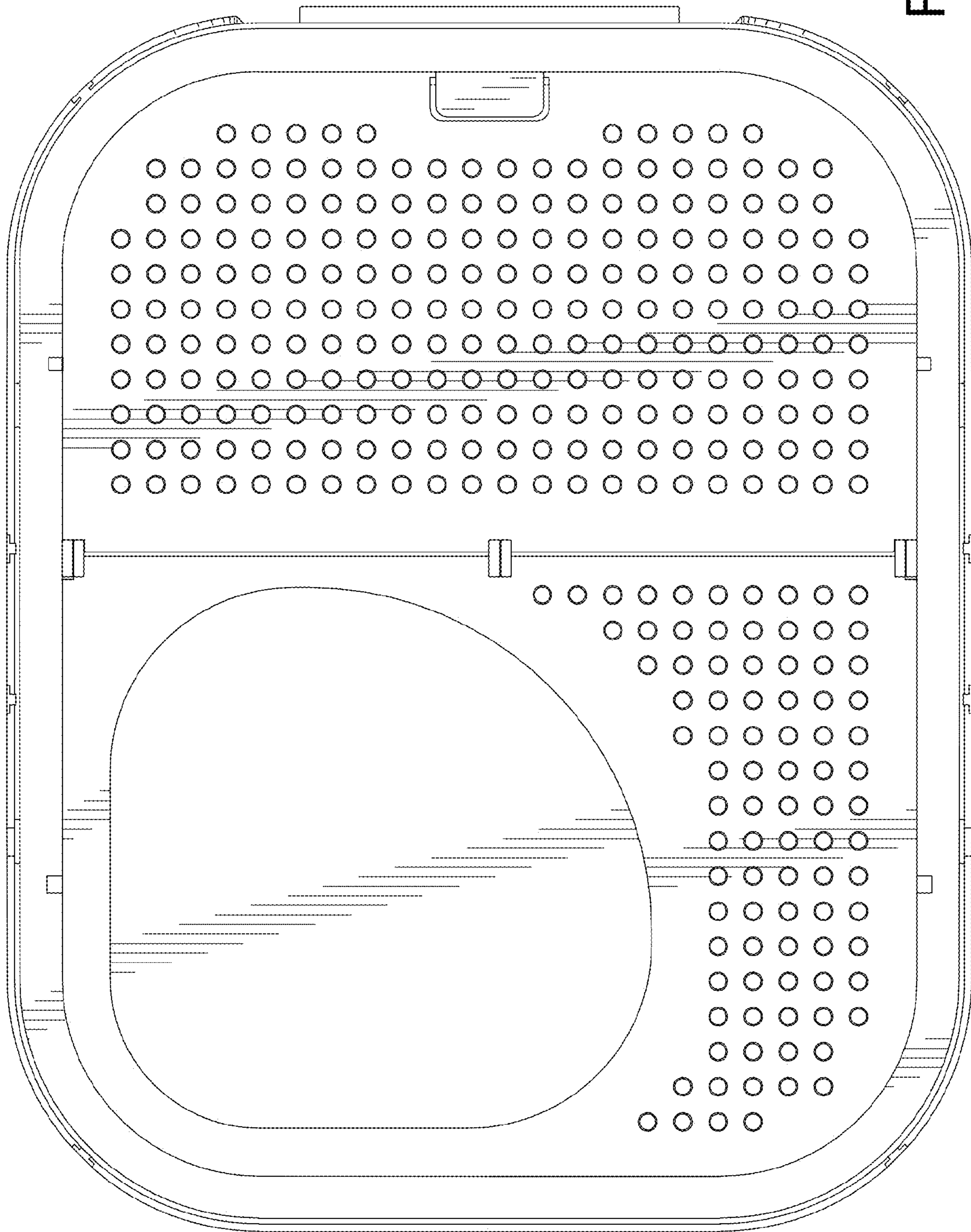


FIG. 2

FIG. 3



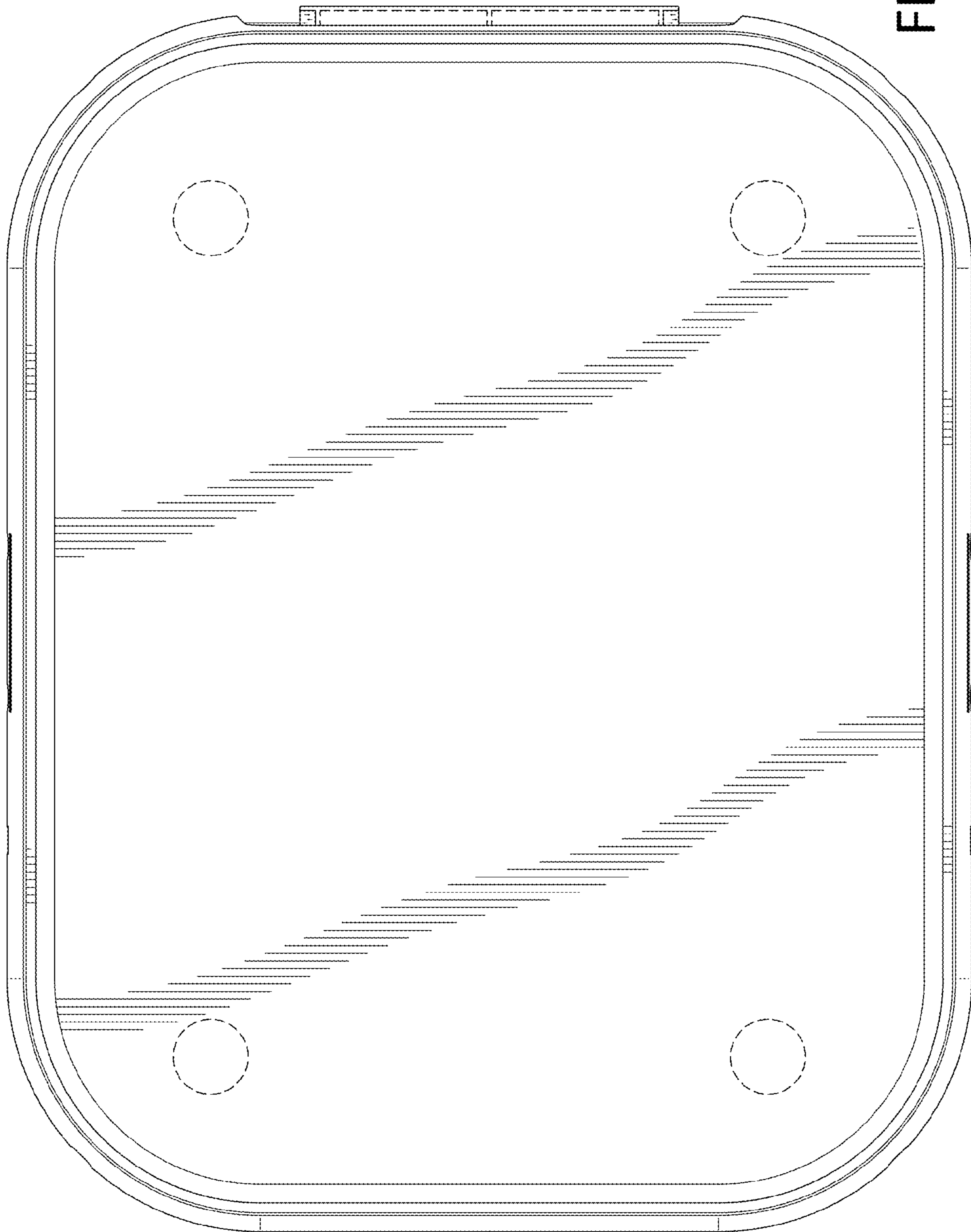


FIG. 4

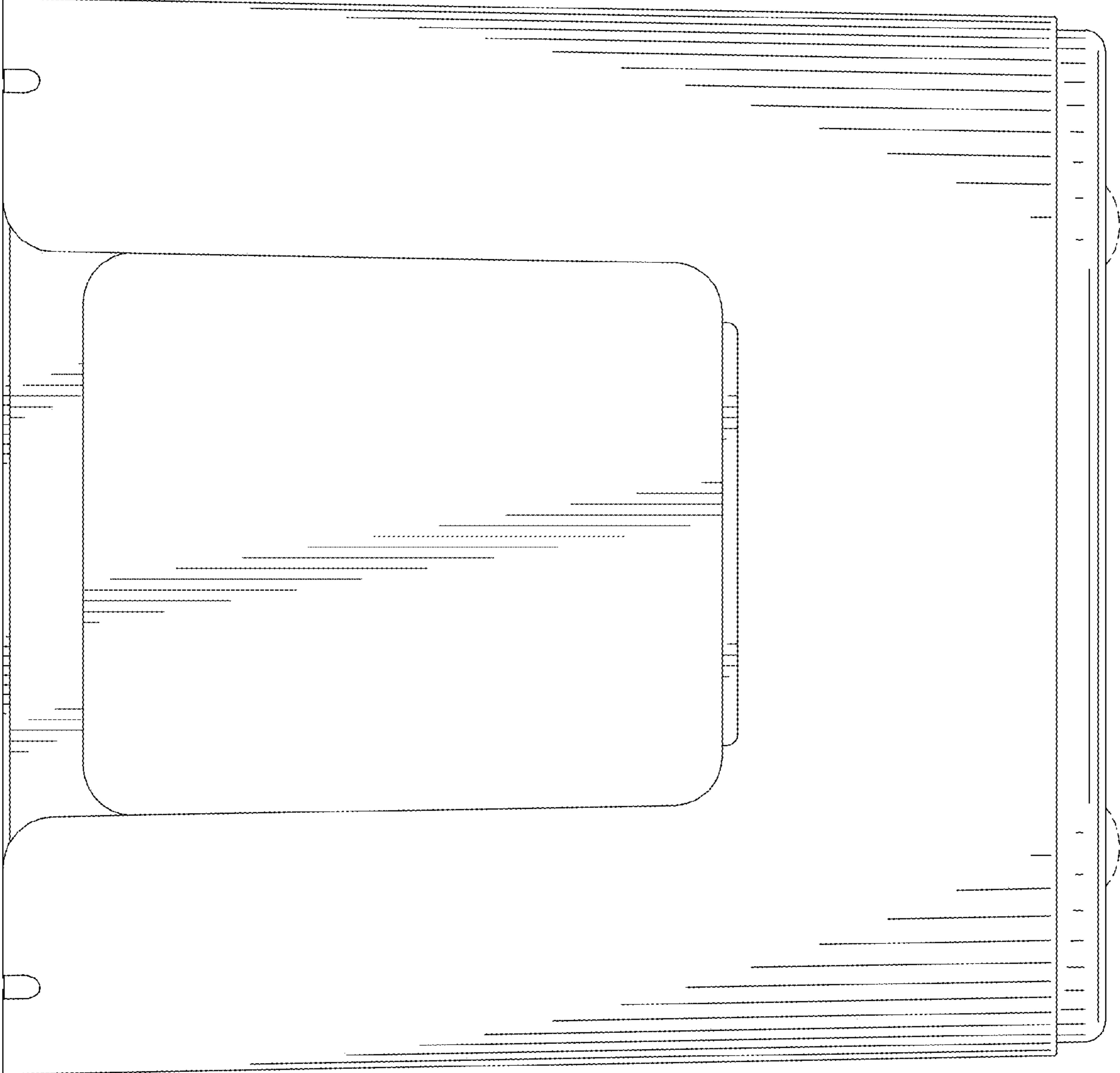


FIG. 5

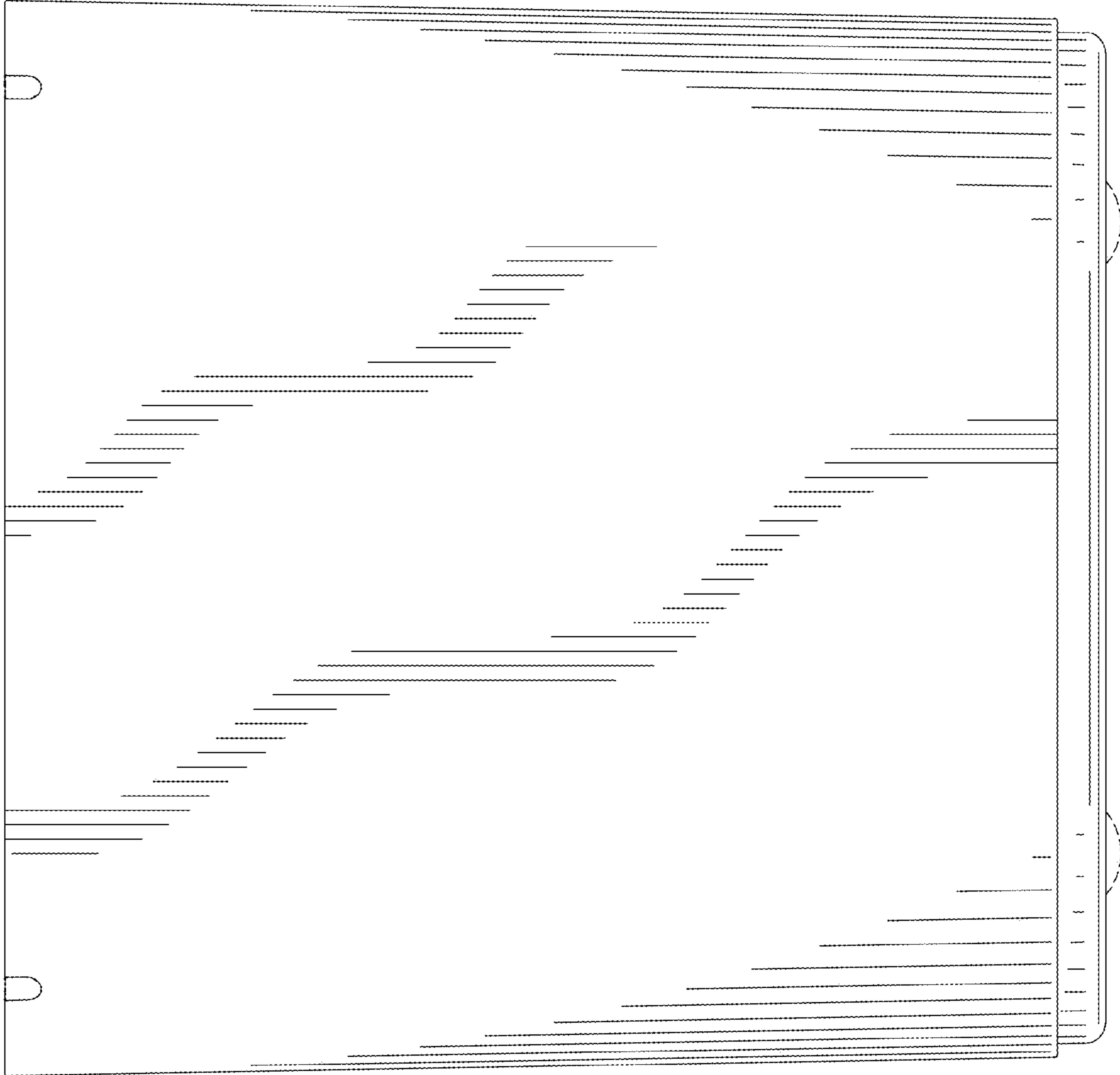


FIG. 6

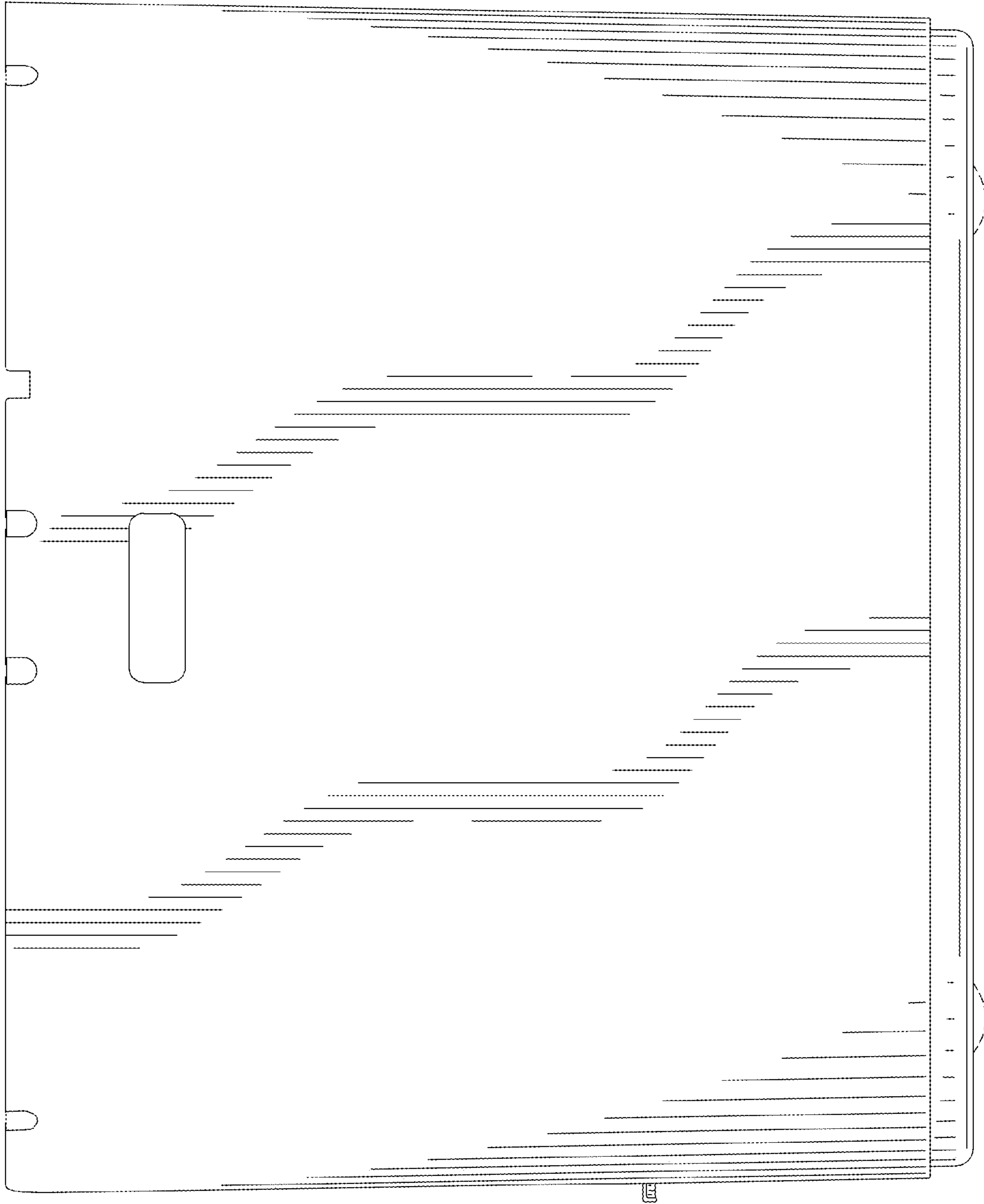


FIG. 7