



US00D870987S

(12) **United States Design Patent** (10) **Patent No.:** **US D870,987 S**
Murray et al. (45) **Date of Patent:** **** Dec. 24, 2019**

- (54) **SMALL ANIMAL EXERCISE BALL**
- (71) Applicant: **PetSmart Home Office, Inc.**, Phoenix, AZ (US)
- (72) Inventors: **Mary Margaret Murray**, Scottsdale, AZ (US); **Peng Qiu**, Yancheng (CN)
- (73) Assignee: **PETSMART HOME OFFICE, INC.**, Phoenix, AZ (US)
- (**) Term: **15 Years**
- (21) Appl. No.: **29/665,209**
- (22) Filed: **Oct. 1, 2018**
- (51) **LOC (12) Cl.** **30-99**
- (52) **U.S. Cl.**
USPC **D30/160**
- (58) **Field of Classification Search**
USPC D30/121, 130, 133, 158, 199, 160;
119/28.5, 452-453, 474, 482, 484, 496,
119/706-708, 622, 621; 446/168, 170,
446/417
CPC A01K 1/033; A01K 15/024; A01K 15/025;
A01K 15/26; A01K 15/27; A61J 17/00;
B65D 17/163; B65D 17/165
See application file for complete search history.

D845,562 S * 4/2019 Lewis D30/160
2005/0120972 A1* 6/2005 Aboujaoude A01K 15/025
119/707
2012/0298044 A1* 11/2012 Dotterer A01K 5/0114
119/51.01

OTHER PUBLICATIONS

“Kaytee Run-About Small Animal Exercise Ball” available Aug. 10, 2016, [online], [site visited Aug. 28, 2019]. Retrieved from Internet, URL: <https://www.chewy.com/kaytee-run-about-small-animal/dp/129022> (Year: 2016).*

“All Living Things Tiny Tales Small Pet Exercise Ball” available Aug. 28, 2019, [online], [site visited Aug. 28, 2019]. Retrieved from Internet, URL: <https://www.petsmart.com/small-pet/toys-and-habitat-accessories/toys/all-living-things-tiny-talesandtrade-small-pet-exercise-ball-50213.html> (Year: 2019).*

* cited by examiner

Primary Examiner — Michael C Stout
Assistant Examiner — Katrina N Gonzalez
(74) *Attorney, Agent, or Firm* — Fox Rothschild LLP

(57) **CLAIM**

The ornamental design for a small animal exercise ball, as shown and described.

DESCRIPTION

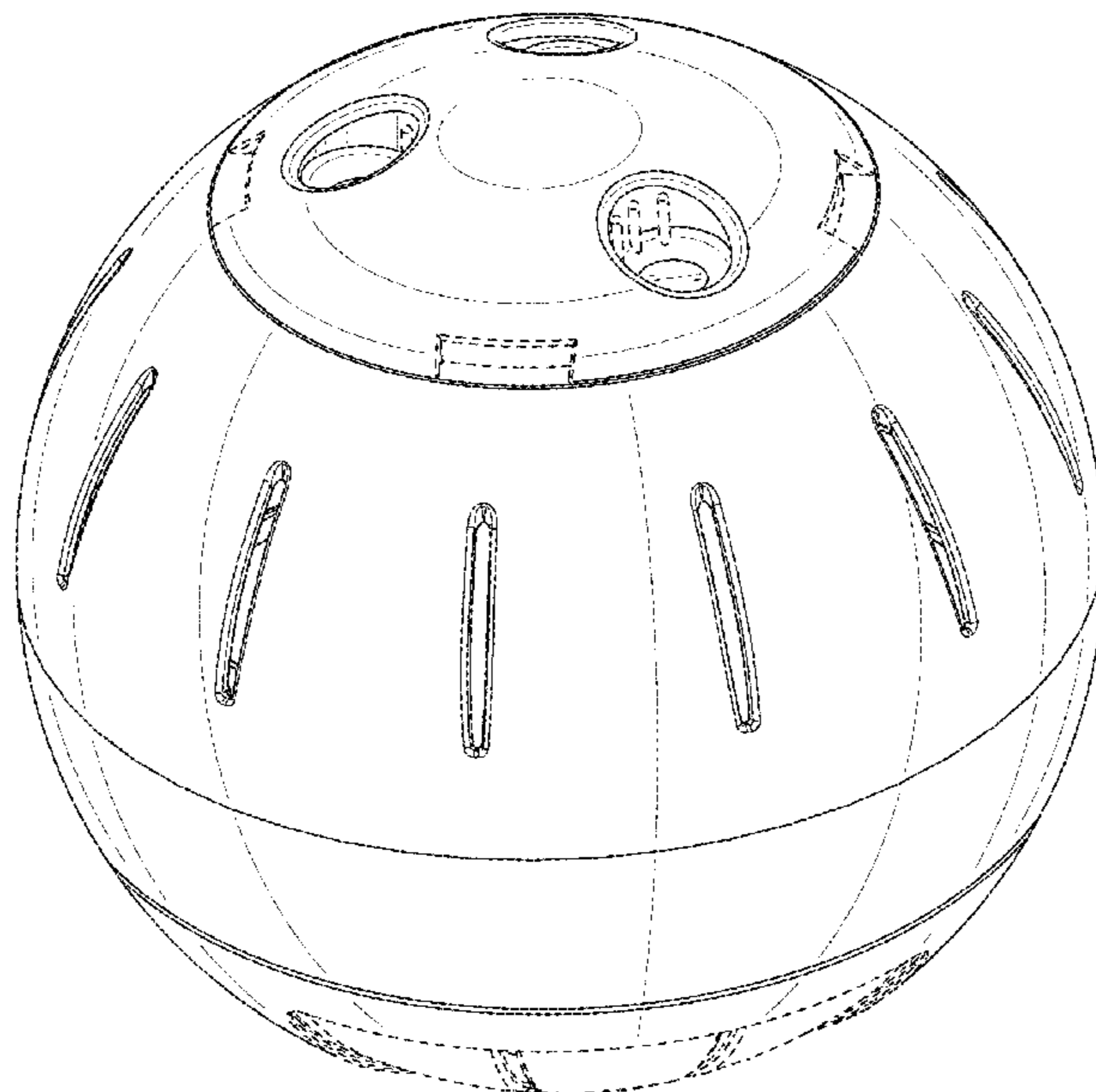
FIG. 1 is a top perspective view of the small animal exercise ball showing our new design;
FIG. 2 is a front elevation view thereof;
FIG. 3 is a rear elevation view thereof;
FIG. 4 is a right side elevation view thereof;
FIG. 5 is a left side elevation view thereof;
FIG. 6 is a top plan elevation view thereof; and,
FIG. 7 is a bottom plan elevation view thereof.
The broken lines shown on the drawings are for the purpose of illustrating environmental structure and forms no part of the claimed design.

1 Claim, 7 Drawing Sheets

(56) **References Cited**

U.S. PATENT DOCUMENTS

D497,191 S	*	10/2004	Shore	D21/709
D577,868 S	*	9/2008	Rutherford	D30/160
D642,230 S	*	7/2011	Kessler	D21/662
D670,040 S	*	10/2012	Aboujaoude	D30/117
D672,927 S	*	12/2012	Bertsch	D30/160
D680,698 S	*	4/2013	McWilliams	D30/121
D747,565 S	*	1/2016	Beckley	D30/160
D786,513 S	*	5/2017	Tome	D30/121
D822,295 S	*	7/2018	Woods	D30/160



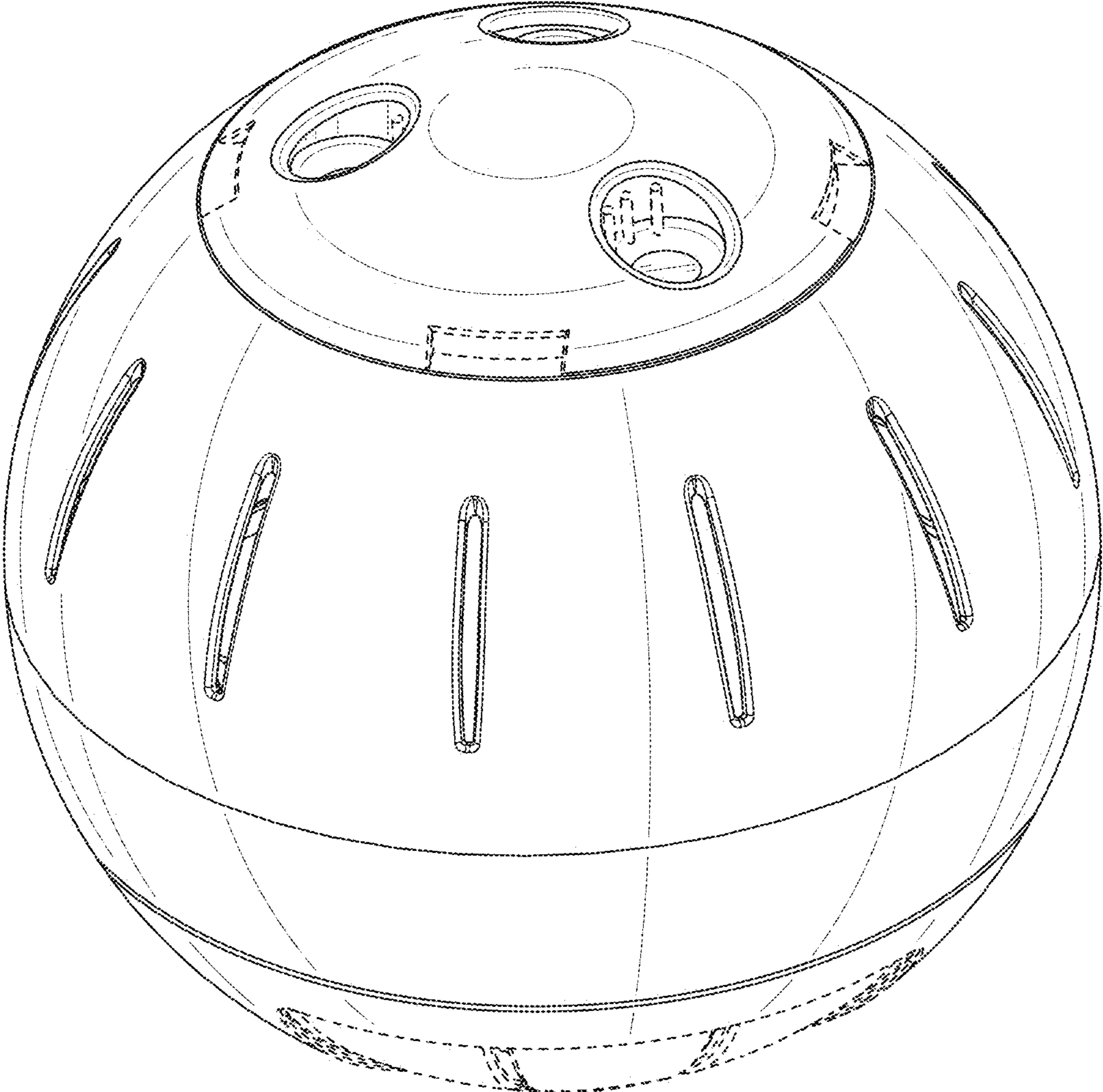


FIG. 1

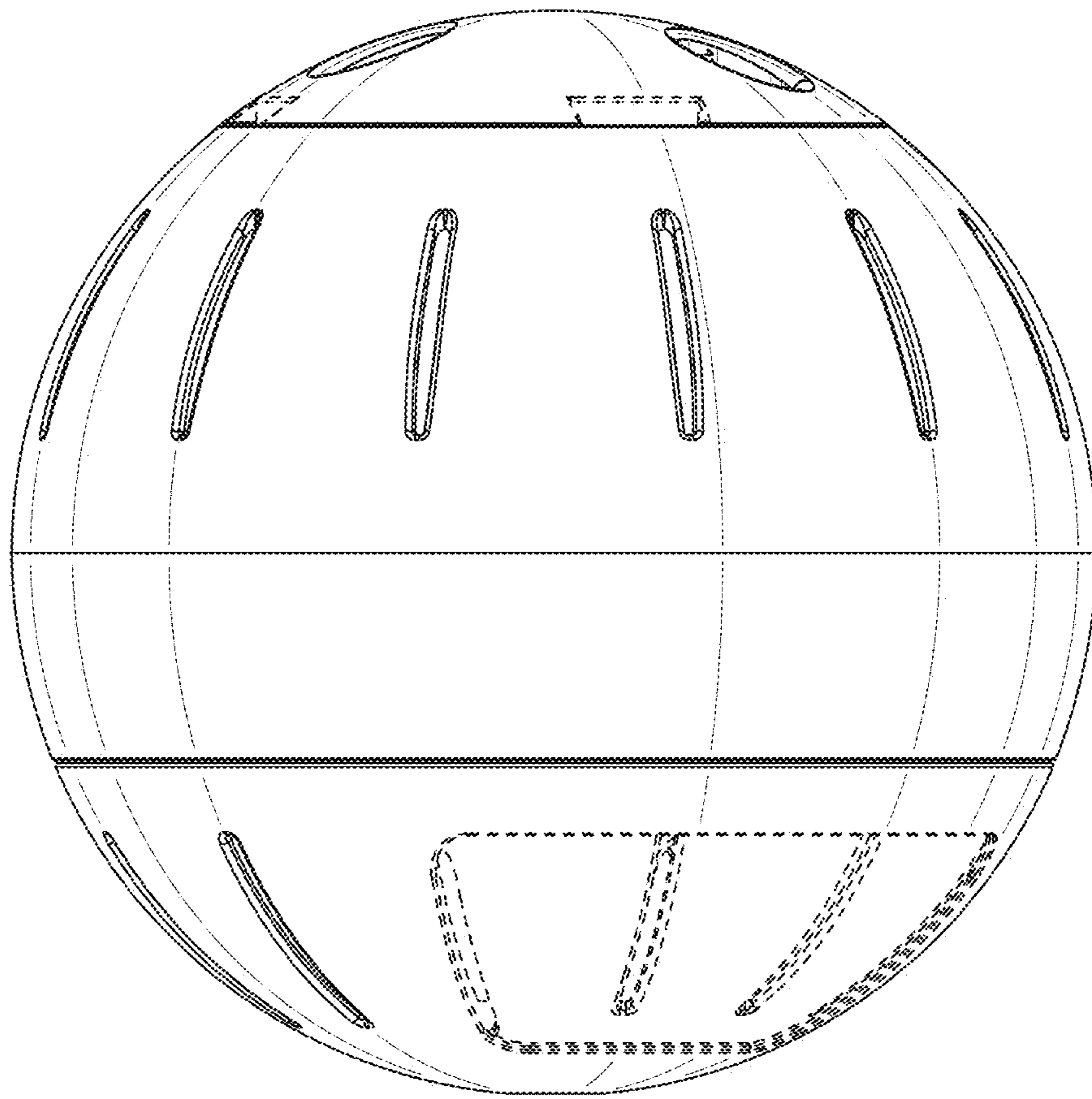


FIG. 2

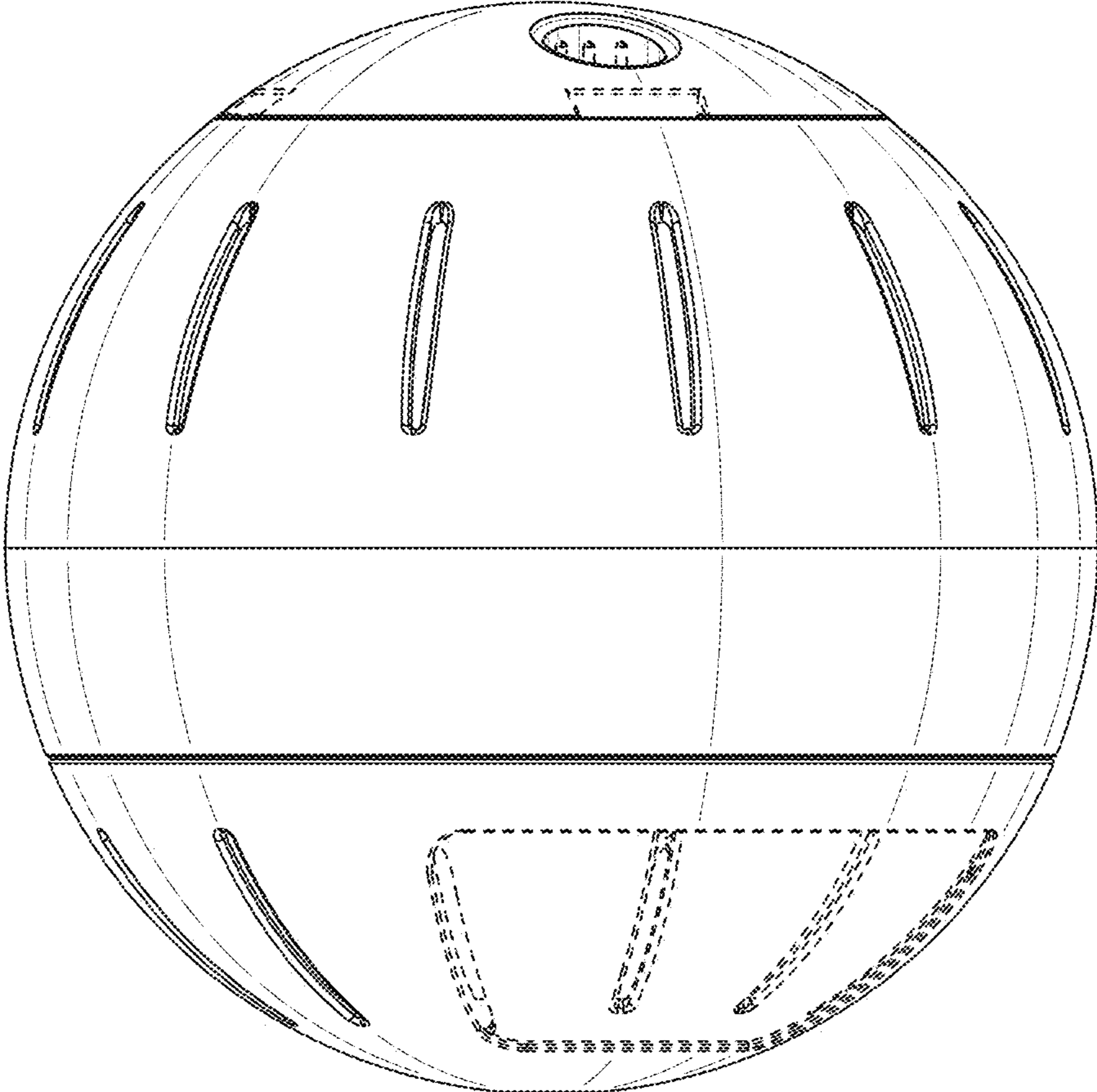


FIG. 3

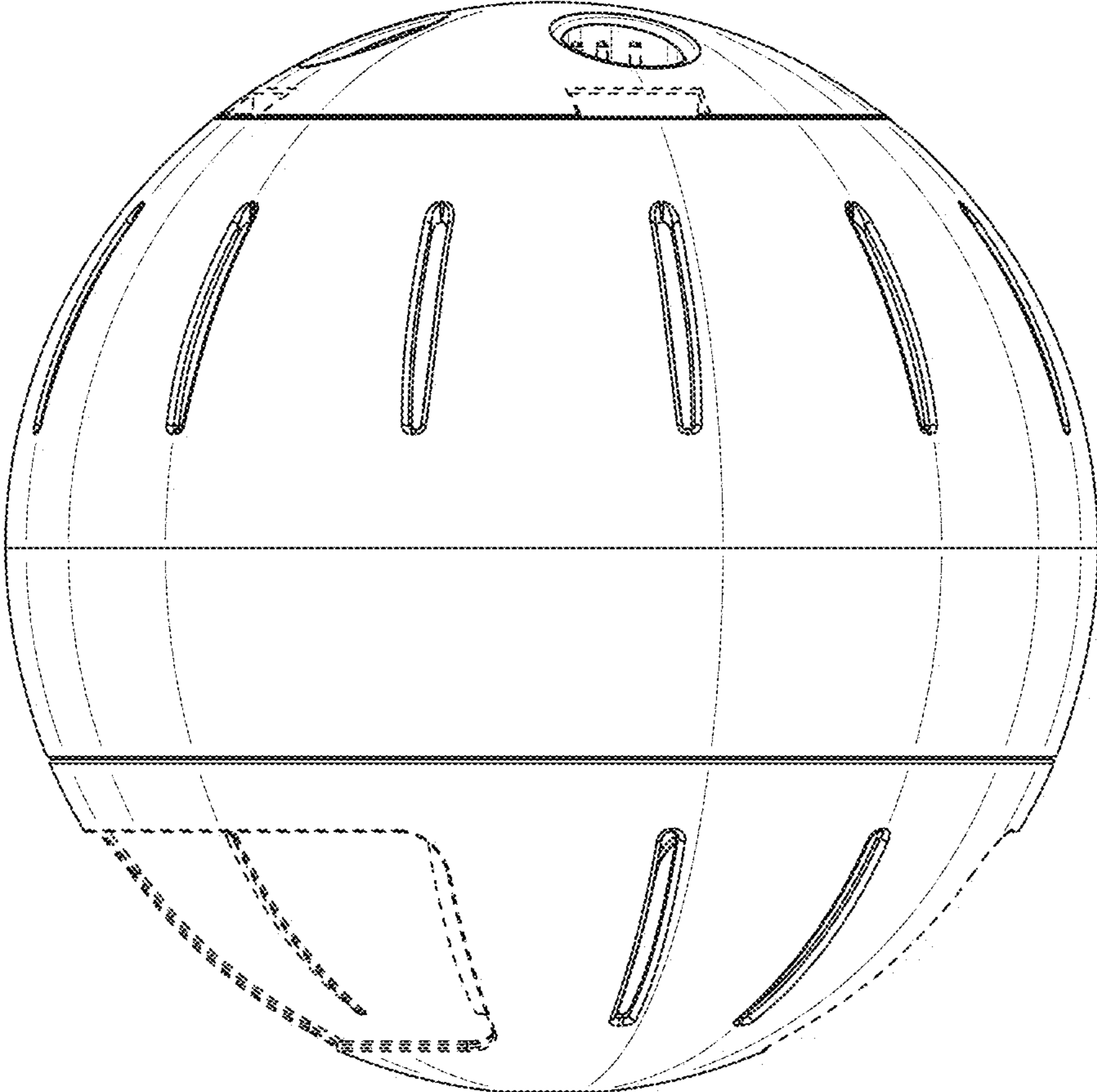


FIG. 4

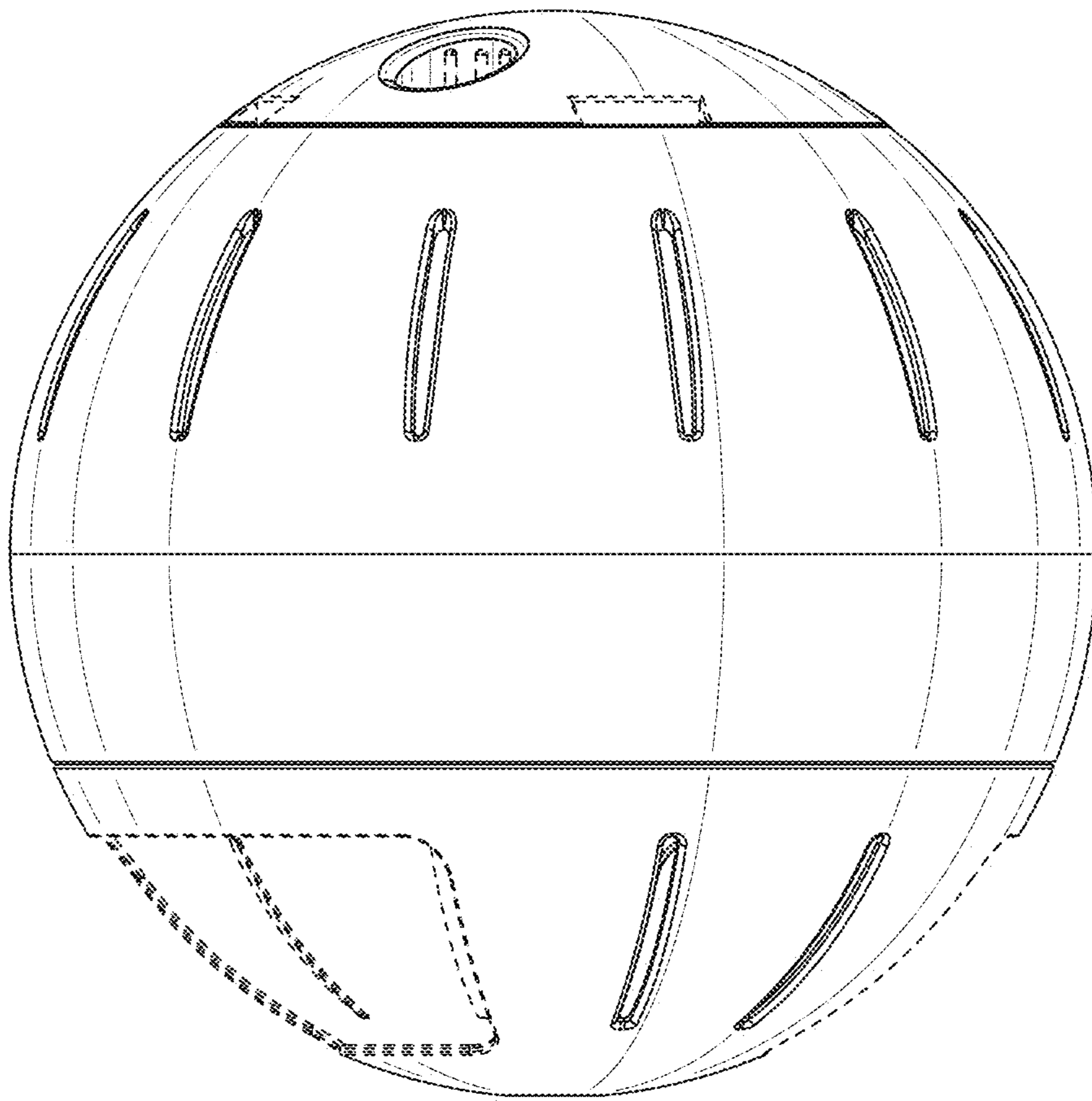


FIG. 5

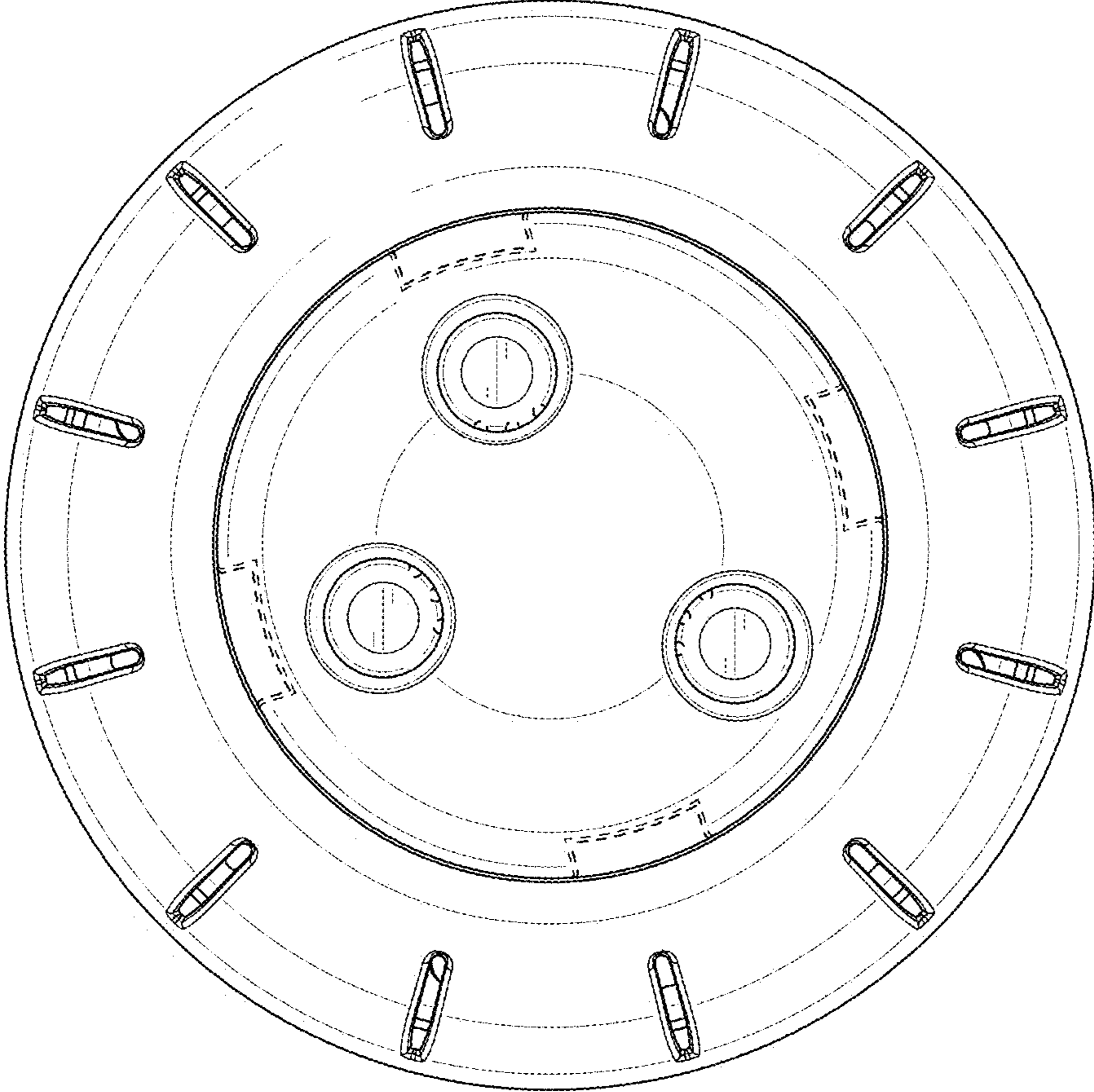


FIG. 6

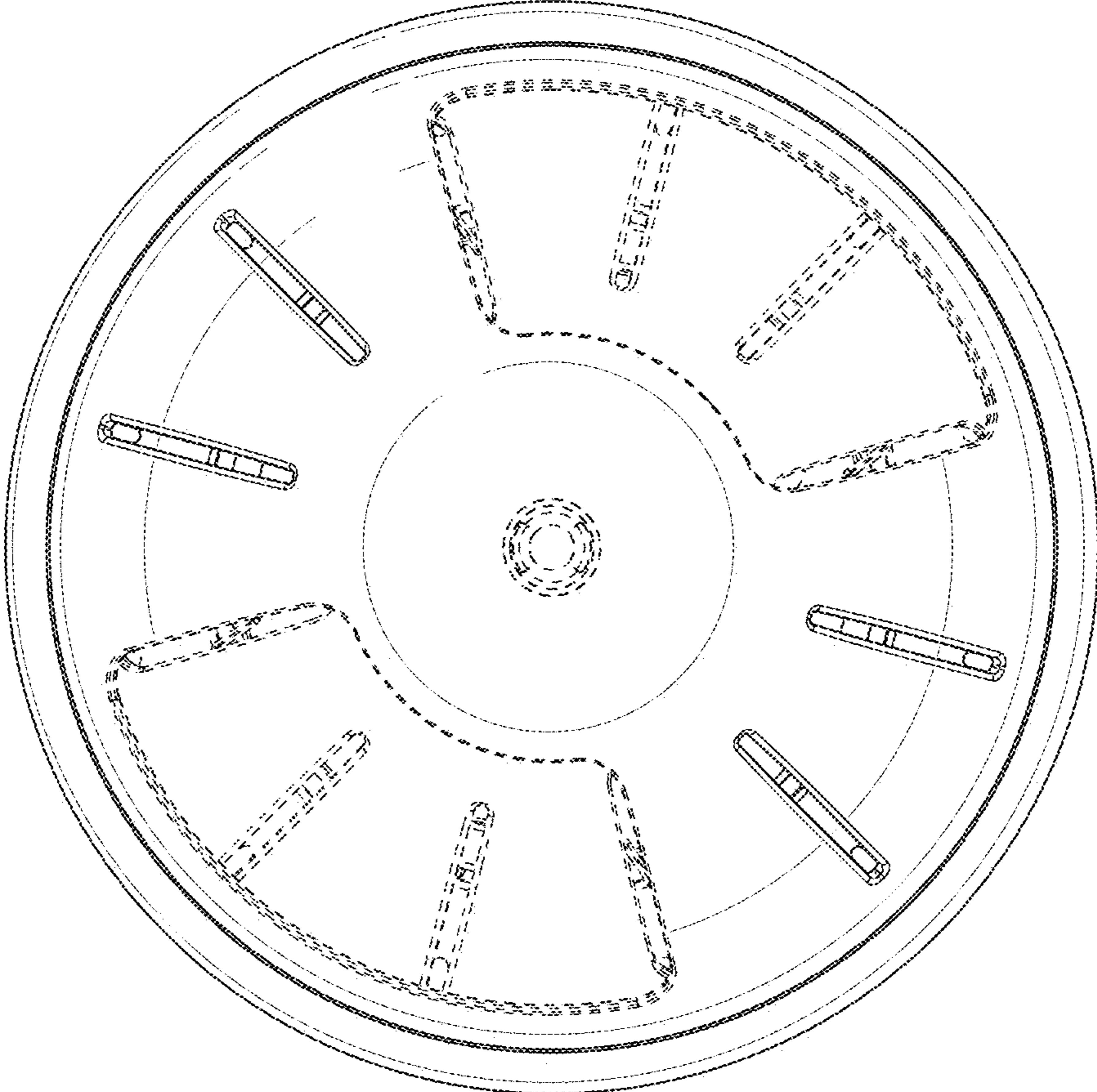


FIG. 7