



US00D870983S

(12) **United States Design Patent**
Padia

(10) **Patent No.:** **US D870,983 S**

(45) **Date of Patent:** **** Dec. 24, 2019**

(54) **PET BOWL**

(71) Applicant: **Ashish Padia**, New Delhi (IN)

(72) Inventor: **Ashish Padia**, New Delhi (IN)

(**) Term: **15 Years**

(21) Appl. No.: **29/638,291**

(22) Filed: **Feb. 26, 2018**

(30) **Foreign Application Priority Data**

Sep. 18, 2017 (IN) 297596

(51) **LOC (12) Cl.** **30-03**

(52) **U.S. Cl.**
USPC **D30/129**

(58) **Field of Classification Search**

USPC D30/121, 122, 129-133; 119/61.5, 51.01, 119/61.56, 51.03, 59, 62, 63, 51.5, 57.8, 119/74, 61.54, 61.55; 312/204; 248/151, 248/188; 108/156, 153.1-157; 220/23.87, 630, 737, 743, 9.4, 495.01, 220/574, 212, 255, 23.83; 206/515; D7/586, 543, 550.1, 587, 505, 584, 545, D7/500, 553.1-553.8, 546, 555, 556, 504, D7/565, 562, 602; D9/429; 43/109; D22/122; 99/430, DIG. 15
CPC A01K 5/0114; A01K 5/01; A01K 5/0135; A01K 7/005; A01K 7/00; A01K 7/02; A01K 5/0142; A01K 5/0121; A01K 5/0128; A01K 27/004; A01K 39/014; A01K 39/00; A01K 39/02; A01K 39/0113; A47J 43/0727; A01M 29/34; B29C 65/48; B65D 81/36

See application file for complete search history.

(56) **References Cited**

U.S. PATENT DOCUMENTS

D44,932 S * 11/1913 Mittinger, Jr. D7/584
3,698,594 A * 10/1972 Boehlert A47G 19/03
220/495.01

D288,065 S * 2/1987 Tyler D9/429
4,832,201 A * 5/1989 Kenyon, 2nd B65D 77/2024
206/515
5,203,836 A * 4/1993 Brazis A47J 43/0727
206/507
D382,766 S * 8/1997 Hamada D7/354
D395,822 S * 7/1998 Keal D7/602
5,979,361 A * 11/1999 Willinger A01K 5/0135
119/61.54
D478,474 S * 8/2003 Zettle D7/545
D564,711 S * 3/2008 Modi D30/129
D565,253 S * 3/2008 Modi D30/129
7,527,018 B2 * 5/2009 Manley-Hood A01K 5/0128
119/61.5
D601,309 S * 9/2009 Babal D30/129
D602,651 S * 10/2009 Modi D30/129
D613,125 S * 4/2010 Sierra D7/584
D613,556 S * 4/2010 Sierra D7/584
D638,290 S * 5/2011 Cimmerer D9/429
D640,098 S * 6/2011 Seager D7/561

(Continued)

Primary Examiner — Susan Moon Lee

(74) *Attorney, Agent, or Firm* — Bay State IP, LLC

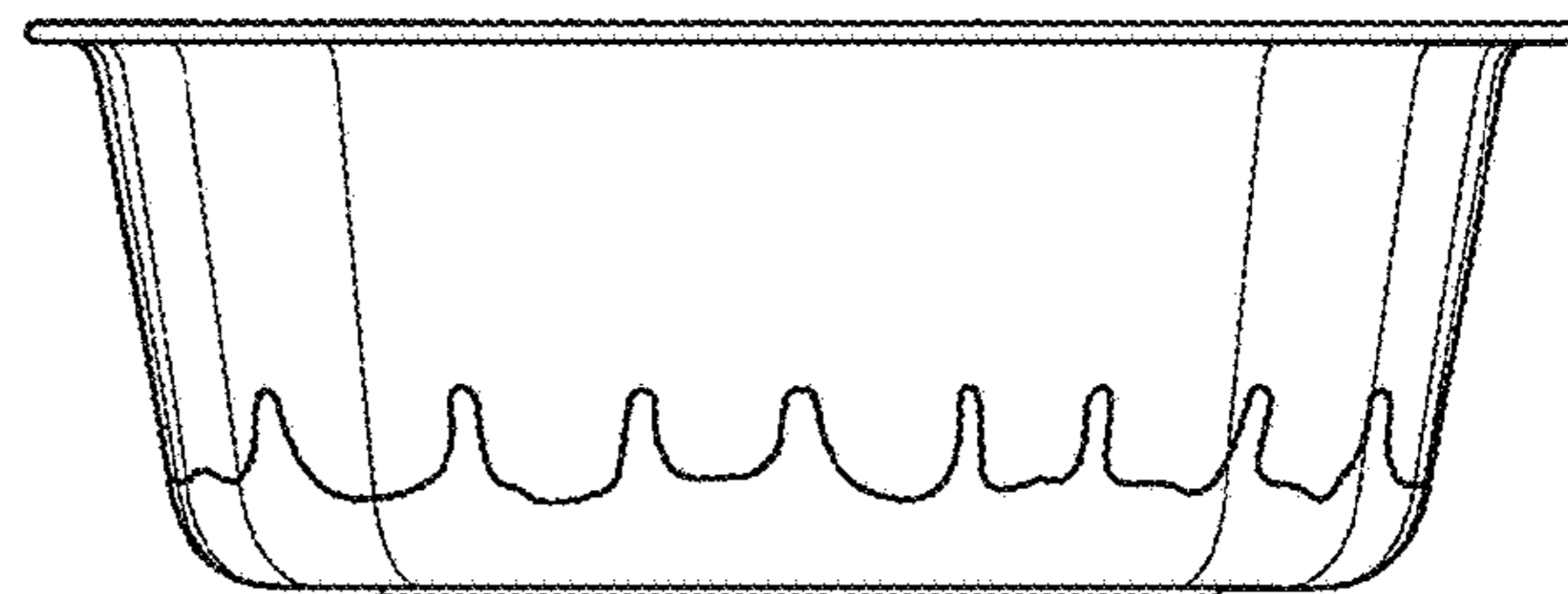
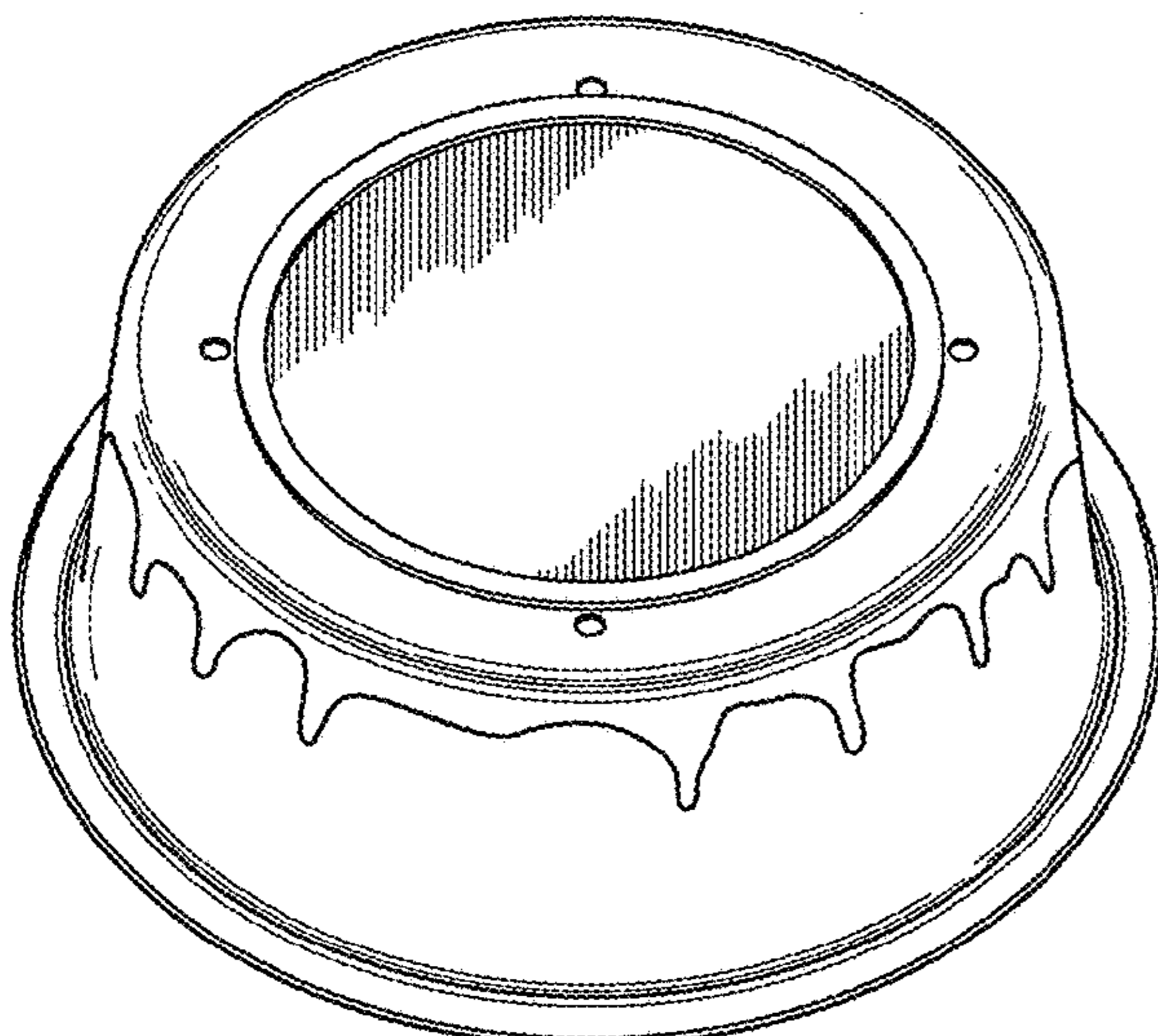
(57) **CLAIM**

The ornamental design for a pet bowl, as shown and described.

DESCRIPTION

FIG. 1 is a top front perspective view of the pet bowl showing my new design;
FIG. 2 is a front view thereof;
FIG. 3 is a back view thereof;
FIG. 4 is a top view thereof;
FIG. 5 is a bottom view thereof;
FIG. 6 is a bottom perspective view thereof;
FIG. 7 is a left side view thereof; and,
FIG. 8 is a right side view.

1 Claim, 4 Drawing Sheets



(56)

References Cited

U.S. PATENT DOCUMENTS

8,286,589 B1 * 10/2012 Tsengas A01K 5/0114
119/61.56
D689,335 S * 9/2013 Ludeman D7/586
8,973,529 B1 * 3/2015 Tsengas A01K 5/0114
119/61.56
D728,865 S * 5/2015 Tsengas D30/129
D815,915 S * 4/2018 Raphael D7/584
D825,865 S * 8/2018 Abbey D30/129
2001/0045188 A1 * 11/2001 Tsengas A01K 5/0114
119/51.01
2005/0284387 A1 * 12/2005 Zelinger A01K 5/0114
119/61.5
2006/0006181 A1 * 1/2006 Rich A47G 19/10
220/574
2007/0034161 A1 * 2/2007 Thompson A01K 5/0114
119/61.5
2012/0285388 A1 * 11/2012 Padia A01K 5/0114
119/61.5
2013/0228582 A1 * 9/2013 Bodum A47G 19/14
220/574
2014/0076240 A1 * 3/2014 Tsengas A01K 5/0114
119/61.5
2014/0261202 A1 * 9/2014 Beatty A01K 5/0135
119/61.54
2014/0326189 A1 * 11/2014 Jain A01K 5/0135
119/61.5
2016/0255806 A1 * 9/2016 Babal A01K 5/0135
2017/0042117 A1 * 2/2017 Babal A01K 5/0135
2017/0064922 A1 * 3/2017 Babal A01K 7/005

* cited by examiner

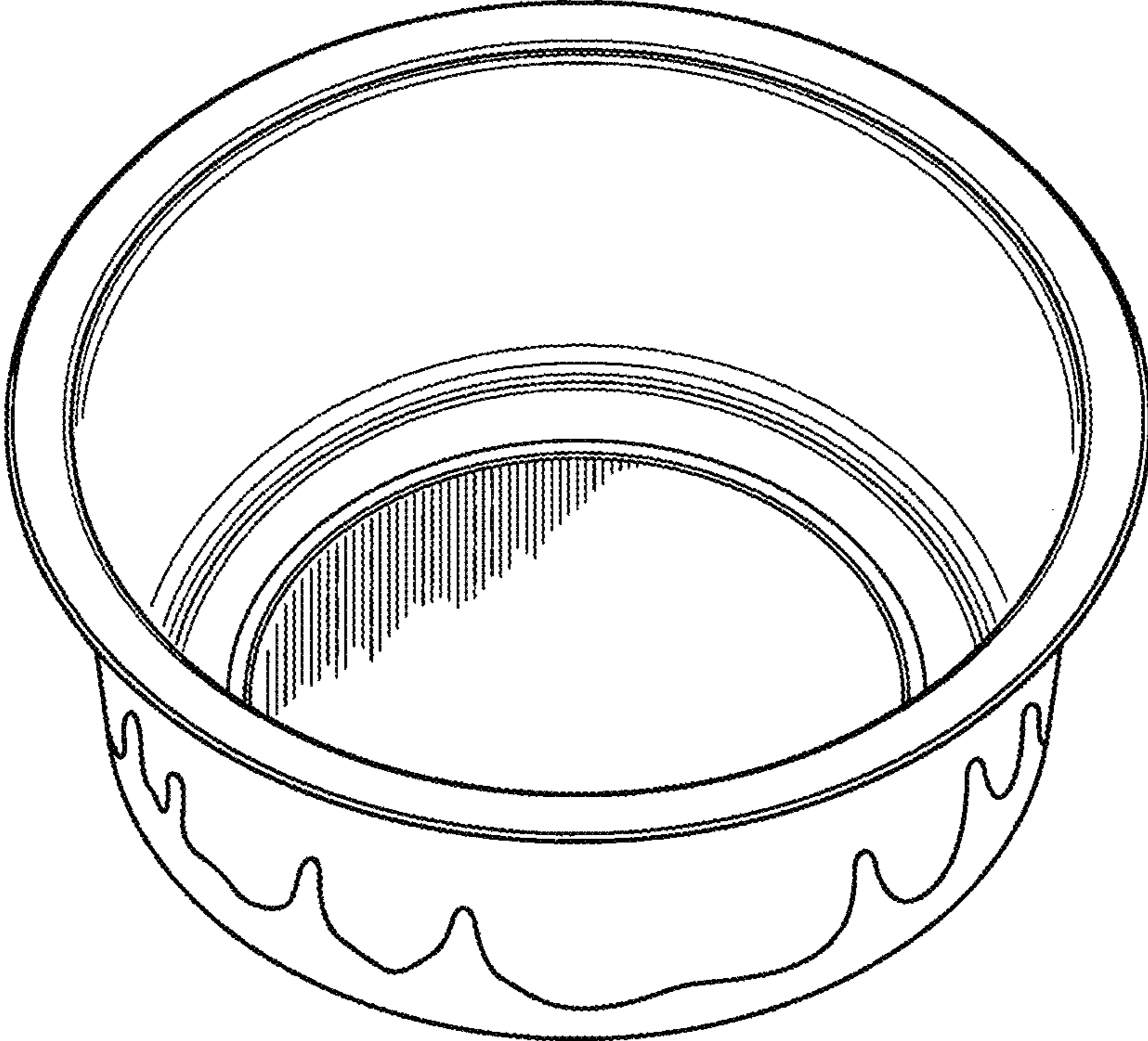


Fig. 1

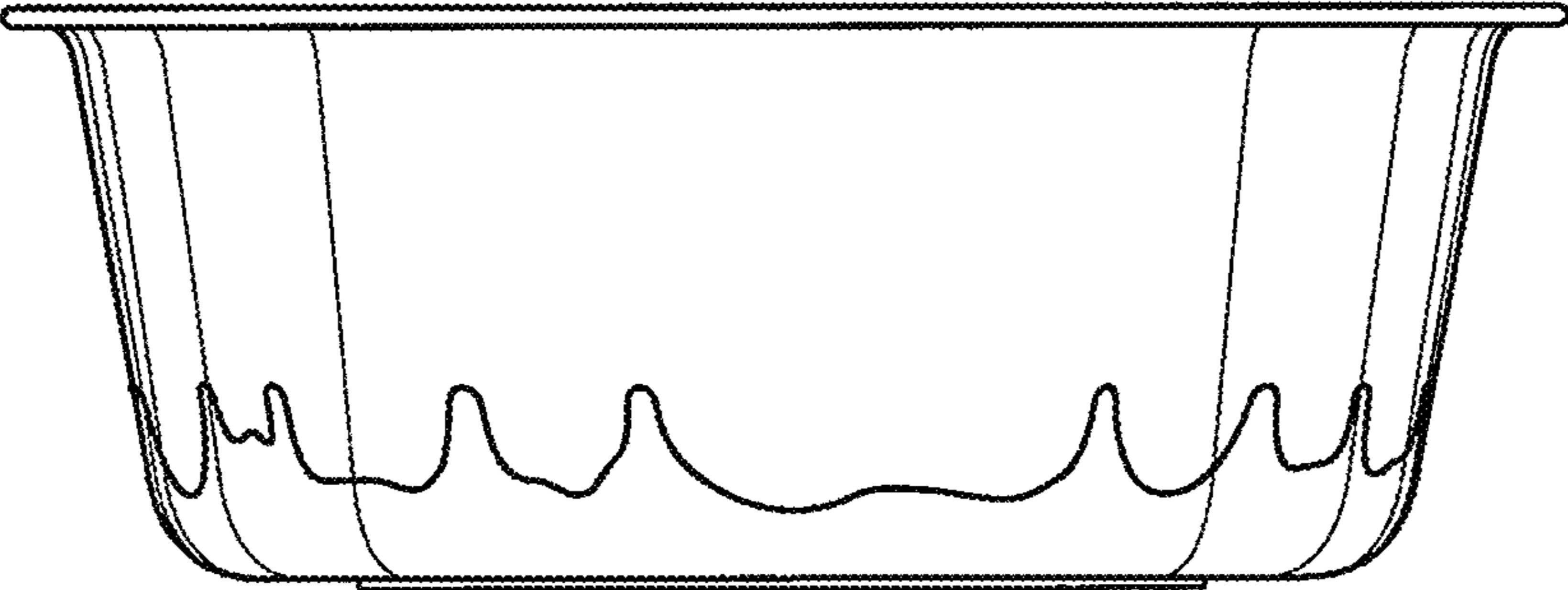


Fig. 2

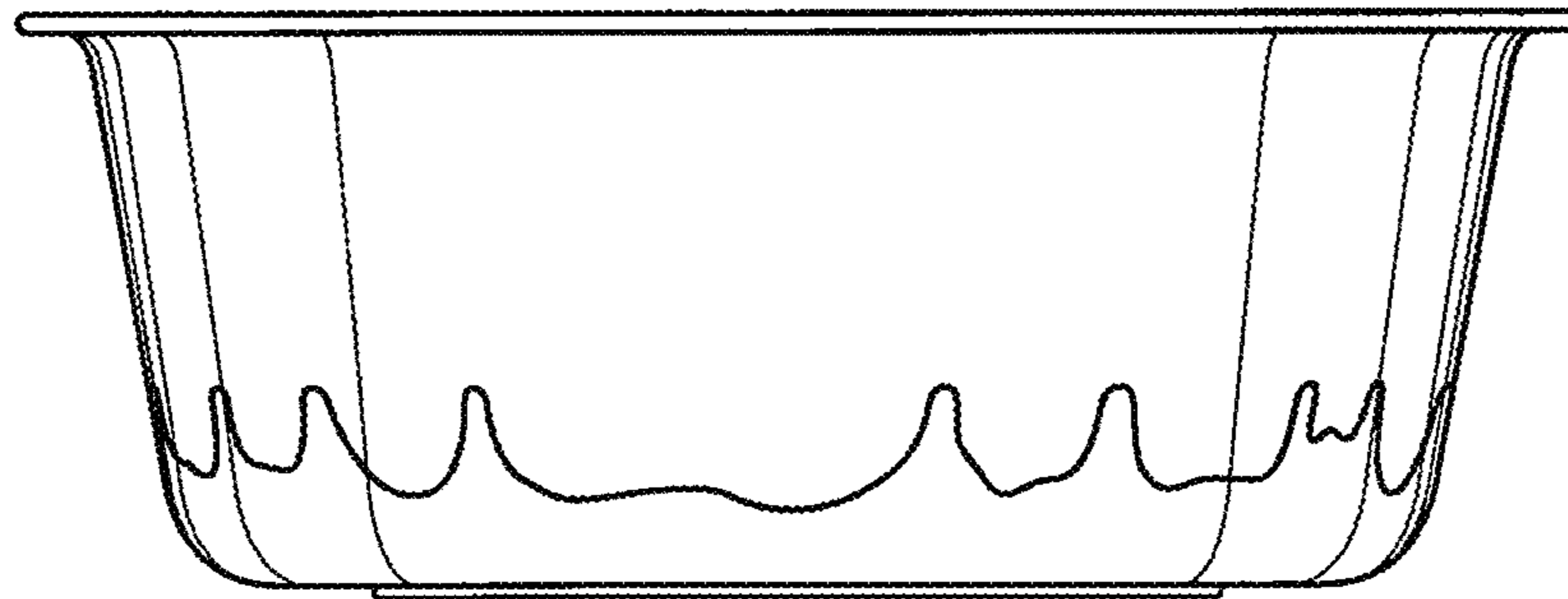


Fig. 3

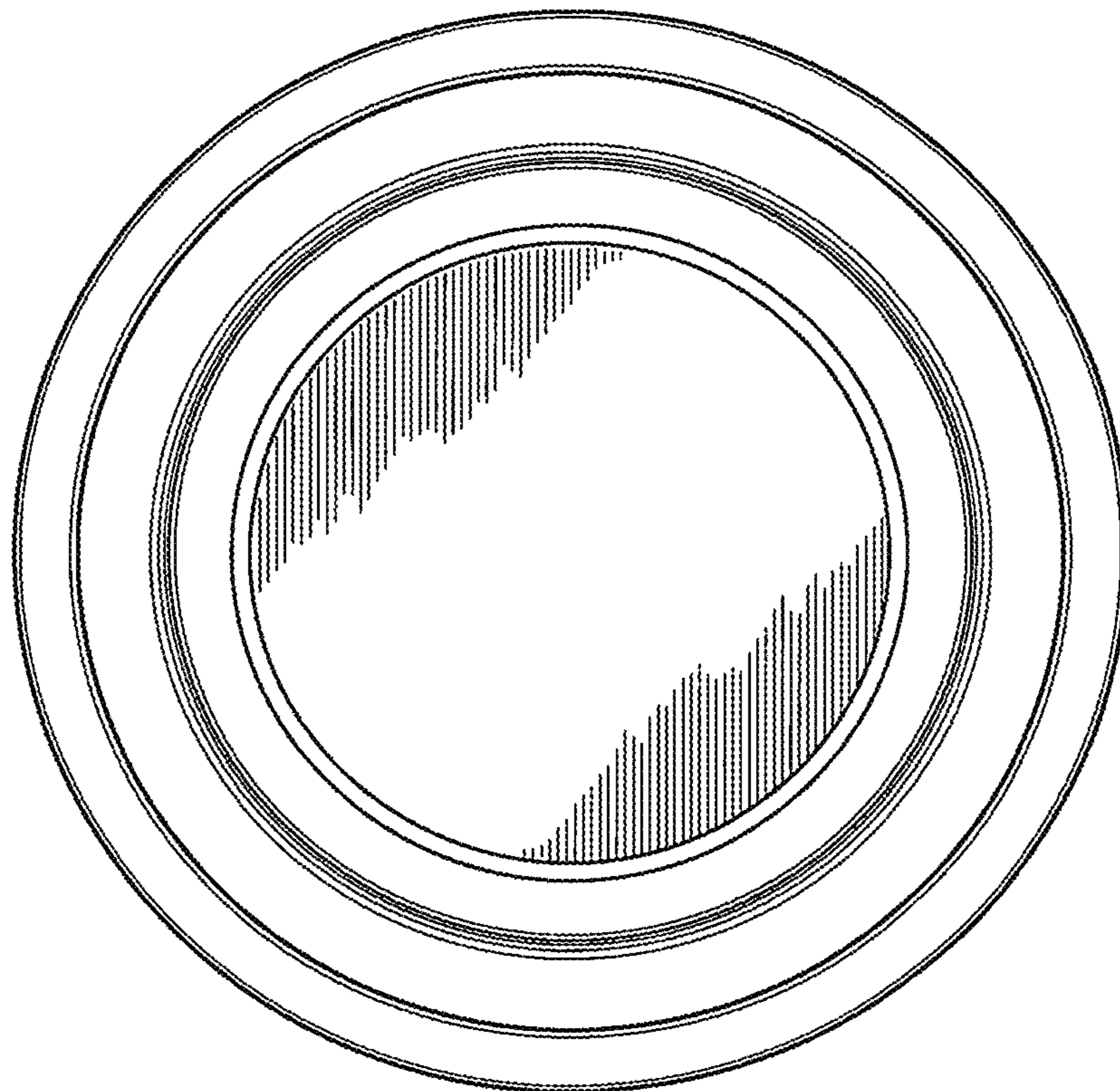


Fig. 4

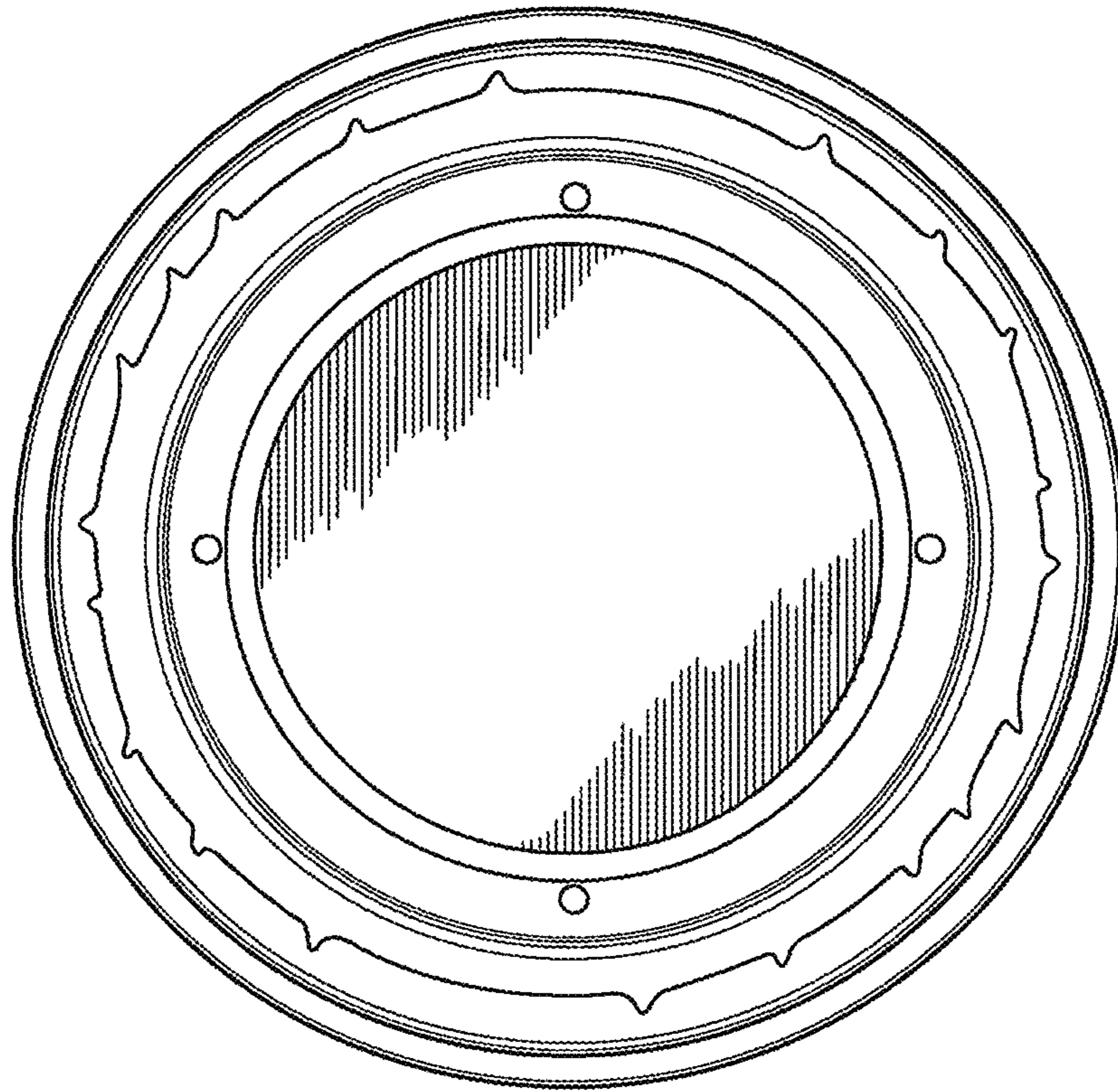


Fig. 5

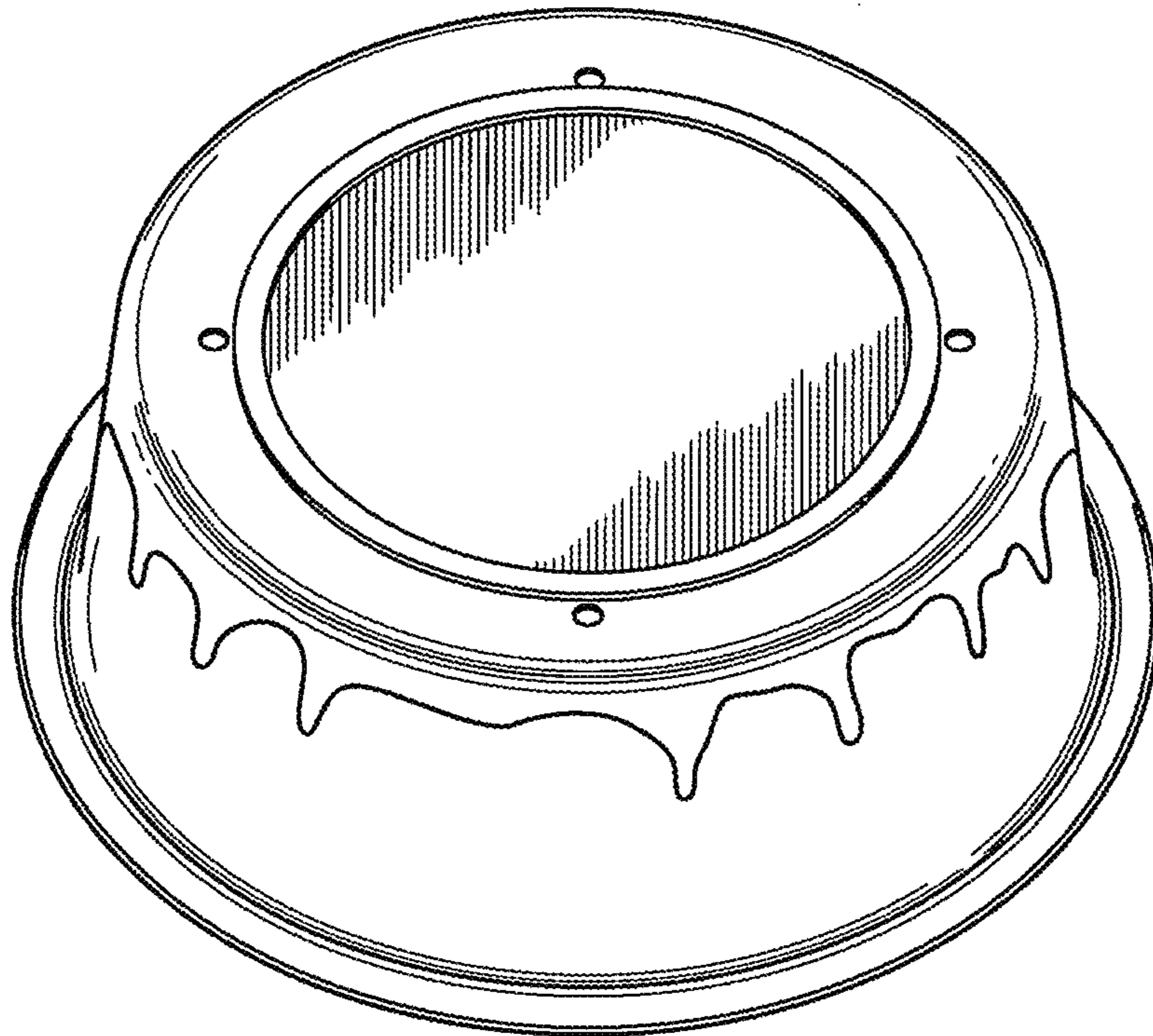


Fig. 6

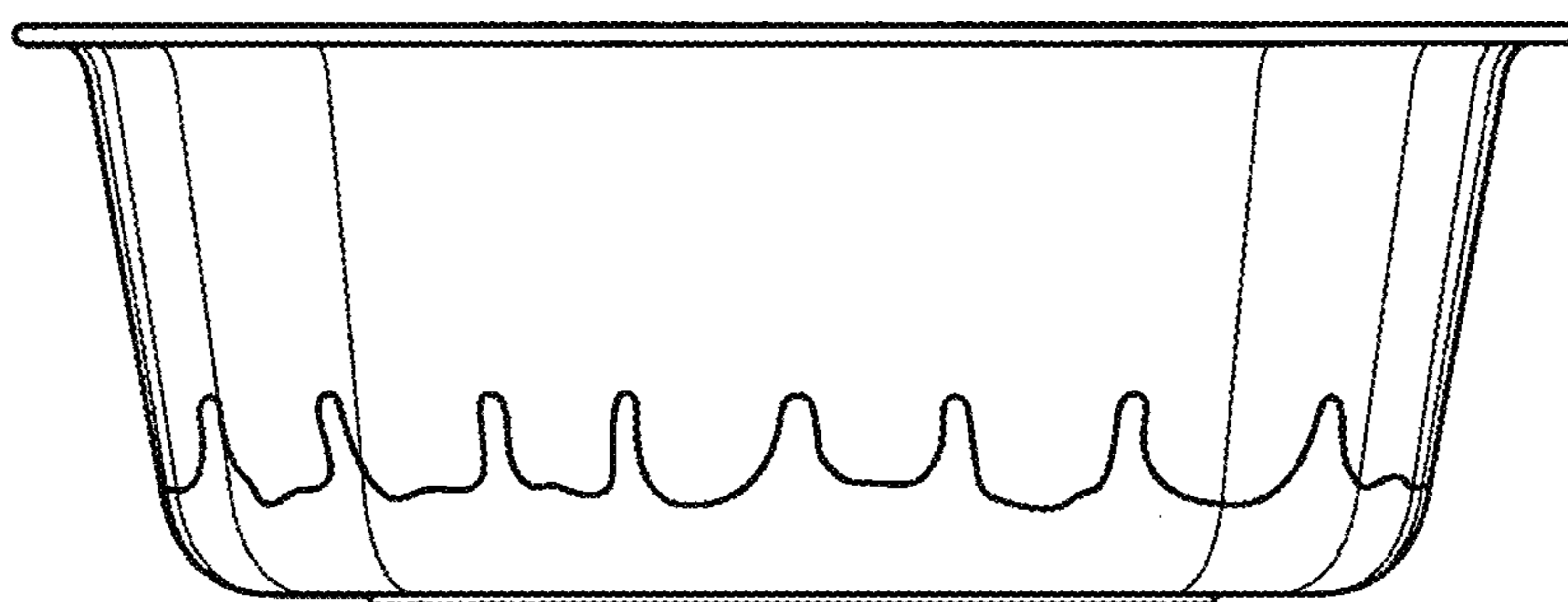


Fig. 7

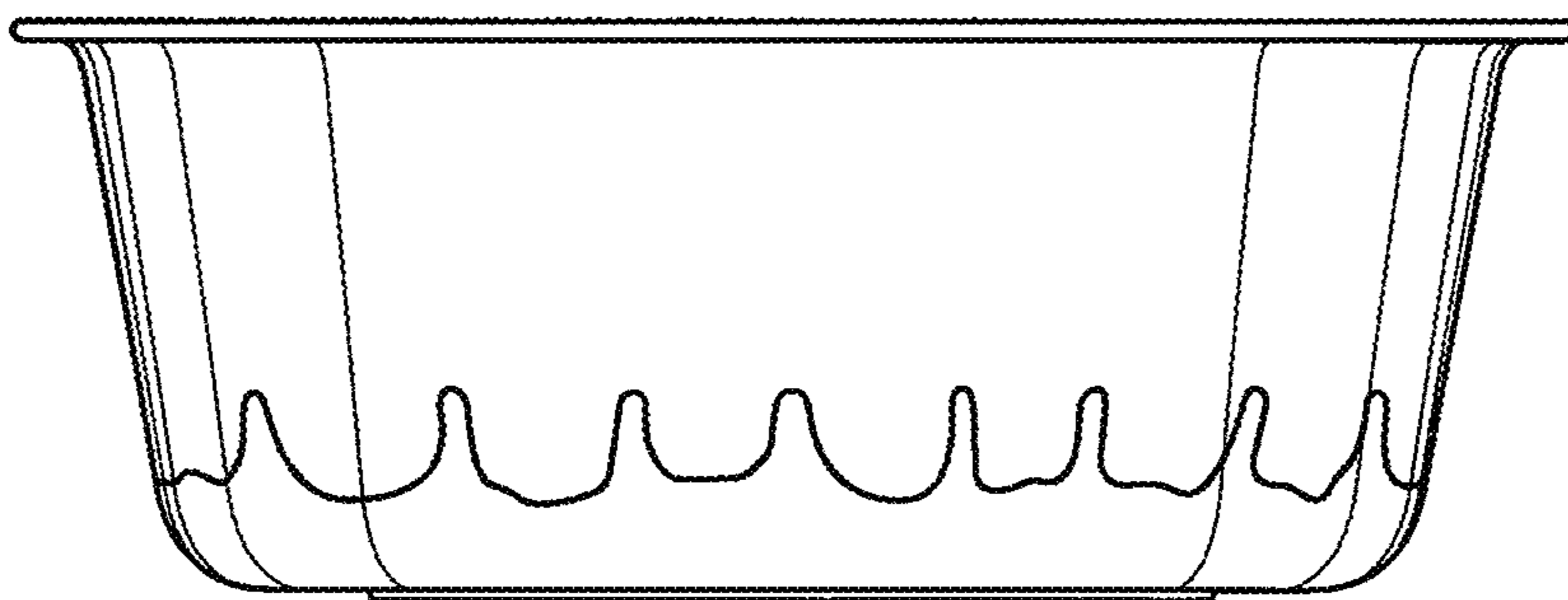


Fig. 8