



US00D870982S

(12) **United States Design Patent**
Tsai

(10) **Patent No.:** **US D870,982 S**

(45) **Date of Patent:** **** Dec. 24, 2019**

(54) **PET BOWL**

(71) Applicant: **KE M.O. HOUSE CO., LTD.**,
Shenzhen, Guangdong (CN)

(72) Inventor: **Mo-Tsan Tsai**, Shenzhen (CN)

(73) Assignee: **KE M.O. HOUSE CO., LTD.**,
Shenzhen (CN)

(**) Term: **15 Years**

(21) Appl. No.: **29/626,464**

(22) Filed: **Nov. 17, 2017**

(30) **Foreign Application Priority Data**

Sep. 5, 2017 (CN) 2017 3 0418175

(51) **LOC (12) Cl.** **30-03**

(52) **U.S. Cl.**
USPC **D30/129; D30/133; D30/121**

(58) **Field of Classification Search**

USPC D30/133, 121, 128, 130, 132, 122, 129;
119/52.1, 55, 61.5-61.56, 51.01, 51.03,
119/59, 62, 63, 51.5, 57.8, 74, 61;
D6/480-485; 248/188, 151; 312/204;
108/153.1-157, 25-26; 220/23.87, 630,
220/737, 743, 9.4, 495.01, 574, 212, 255,
220/23.83, 575; 206/515, 557, 560, 562,
206/563, 565; D7/586, 543, 550.1, 587,
D7/505, 584, 545, 500, 553.1-553.8, 546,
D7/555, 556, 504, 565, 562, 602, 507,
D7/549, 558, 552.2, 560, 566, 548, 681;
D9/429; 43/109; D22/122; 99/430,
99/DIG. 15

CPC A01K 5/00; A01K 5/01; A01K 5/0107;
A01K 5/0114; A01K 5/0121; A01K
5/0128; A01K 5/0135; A01K 7/005

See application file for complete search history.

(56) **References Cited**

U.S. PATENT DOCUMENTS

D102,968	S	*	1/1937	Farber	D7/505
2,156,351	A	*	5/1939	Gertrude	A47G 19/2227 40/324
2,813,509	A	*	11/1957	Bruno	A01K 5/0114 119/51.01
2,850,079	A	*	9/1958	Prushnok	A47G 19/10 248/506
D233,581	S	*	11/1974	Bridges et al.	D7/553.4
D244,902	S	*	7/1977	Vonder Haar	D7/505
D261,588	S	*	11/1981	Fichte	D7/553.4
4,716,855	A	*	1/1988	Andersson	A01K 5/0114 119/61.54
4,846,429	A	*	7/1989	Scheurer	F16B 47/00 248/205.8
4,989,846	A	*	2/1991	Quinn	A47G 23/06 269/54.5
D344,436	S	*	2/1994	Walls	D7/553.4
D360,497	S	*	7/1995	Lewis	D30/129

(Continued)

Primary Examiner — Susan Moon Lee

(74) *Attorney, Agent, or Firm* — Hauptman Ham, LLP

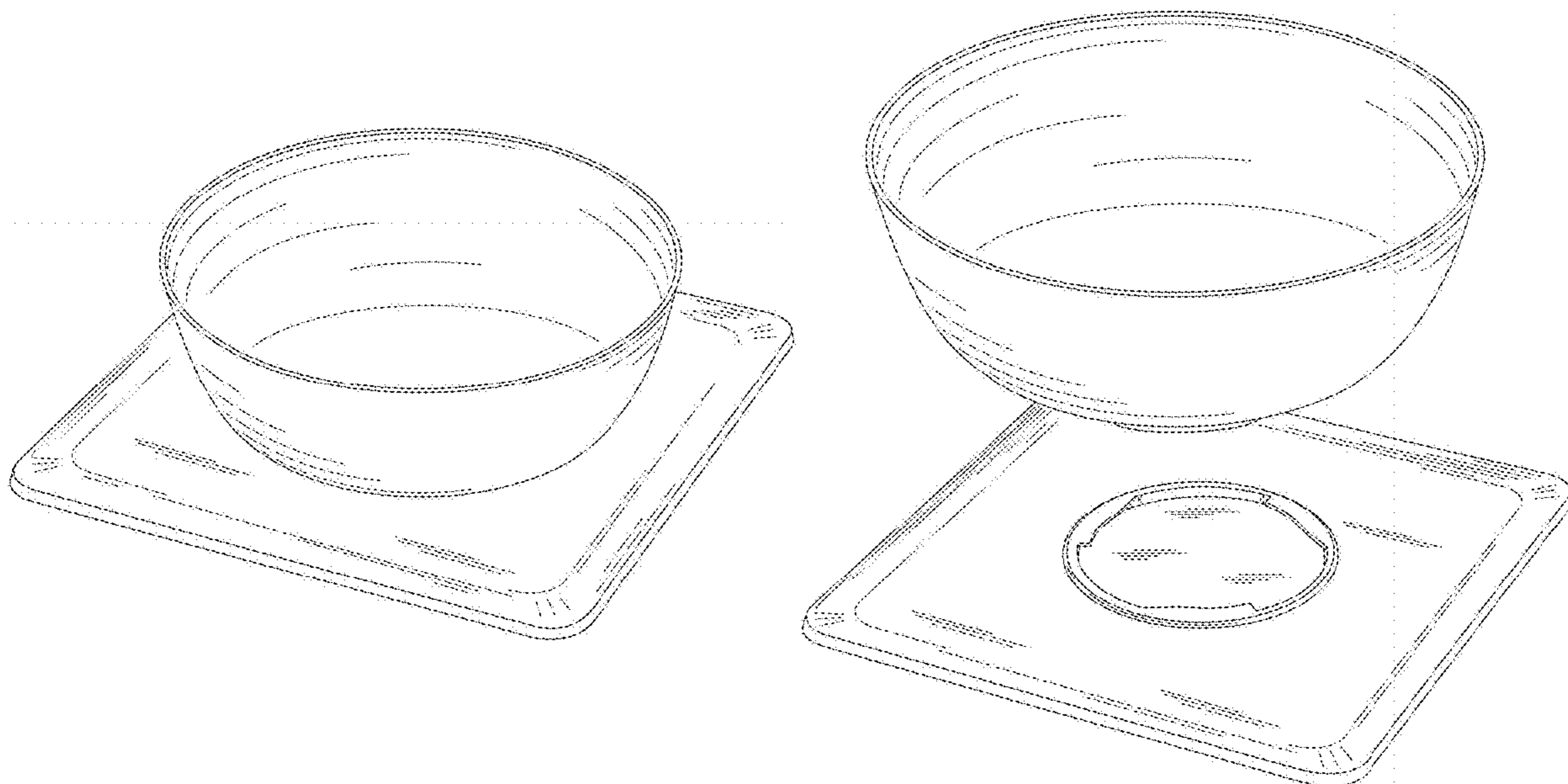
(57) **CLAIM**

I claim the ornamental design for a pet bowl, as shown.

DESCRIPTION

FIG. 1 is a front view a pet bowl.
FIG. 2 is a top plan view thereof;
FIG. 3 is a bottom view thereof.
FIG. 4 is a perspective view thereof.
FIG. 5 is a disassembled perspective view thereof; and,
FIG. 6 is another disassembled perspective view thereof.

1 Claim, 4 Drawing Sheets



(56)

References Cited

U.S. PATENT DOCUMENTS

5,641,140 A * 6/1997 Sorenson A47B 13/16
248/205.3
D382,377 S * 8/1997 Rothert D30/129
D391,118 S * 2/1998 Jørgensen D7/584
D402,851 S * 12/1998 Stauffer D7/505
D430,363 S * 8/2000 Bacon D30/129
D442,831 S * 5/2001 Jacobs D7/584
D448,127 S * 9/2001 Zelinger D30/129
D509,104 S * 9/2005 Price D7/553.4
D516,255 S * 2/2006 Maguire D30/129
D659,913 S * 5/2012 Spectre D30/130
D722,407 S * 2/2015 Roslonski D30/130
D745,228 S * 12/2015 Scaba D30/129
D767,941 S * 10/2016 Laurain D6/616
D774,361 S * 12/2016 Laurain D6/616
D807,705 S * 1/2018 Laurain D7/555
D812,433 S * 3/2018 Kwok D7/553.4
D824,119 S * 7/2018 Yang D30/130
D836,990 S * 1/2019 Hakim D7/553.4
2005/0229793 A1 * 10/2005 Wengrovsky A47G 19/02
99/483
2008/0245947 A1 * 10/2008 Webb A47G 19/10
248/683
2012/0186497 A1 * 7/2012 Spano A01K 5/0114
108/26
2014/0106314 A1 * 4/2014 Brown A47G 19/02
434/127
2015/0305533 A1 * 10/2015 Yao A47G 21/04
220/574.1
2016/0219832 A1 * 8/2016 Langston A01K 5/0142
2017/0086423 A1 * 3/2017 Wall A01K 5/0135

* cited by examiner

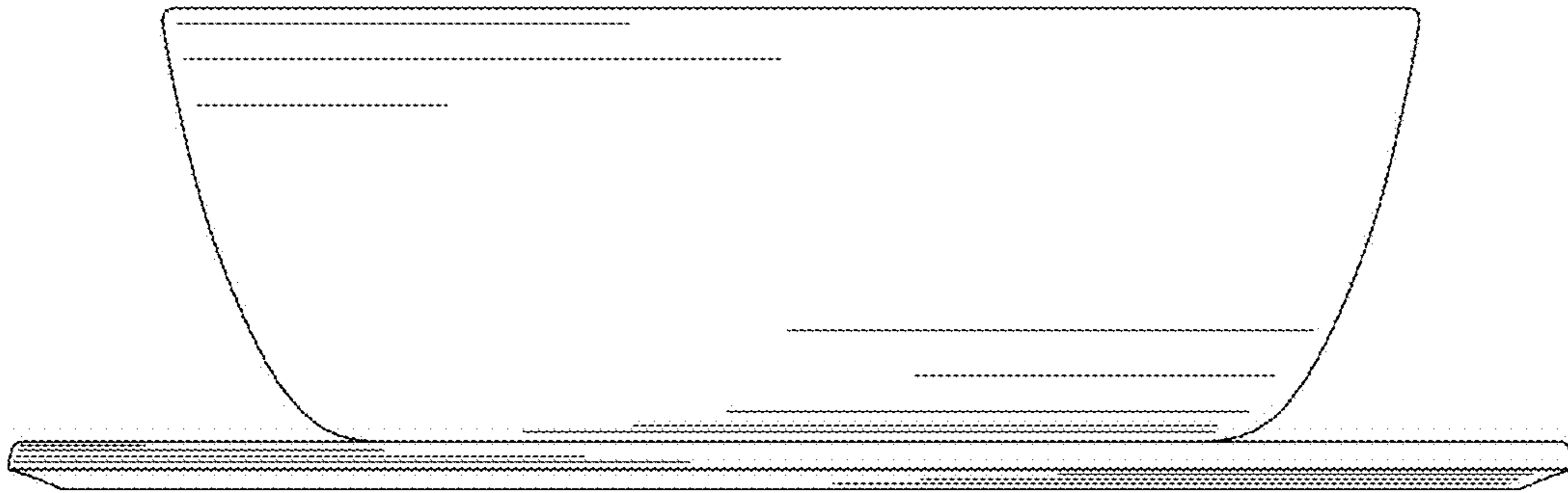


FIG. 1

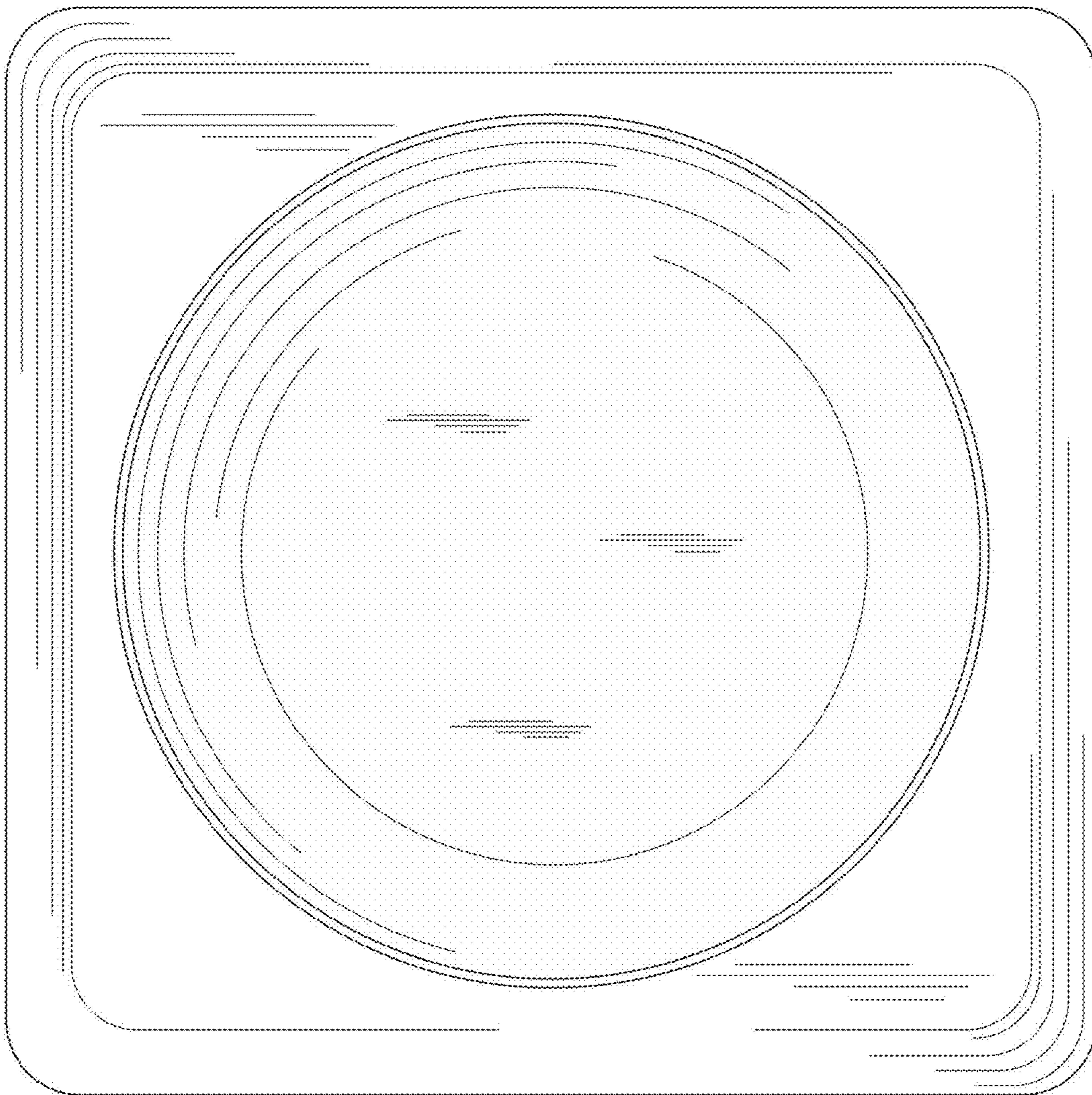


FIG. 2

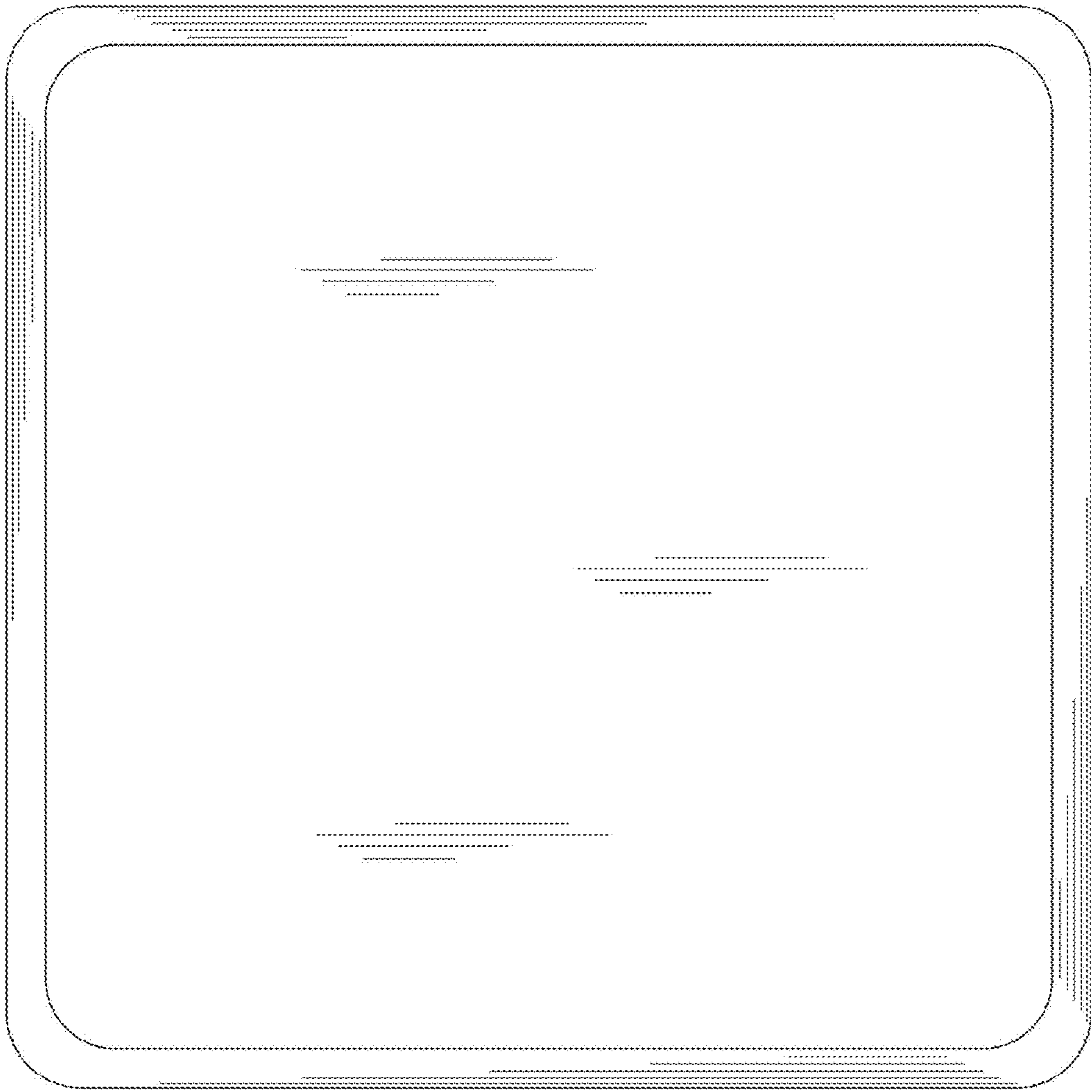


FIG.3

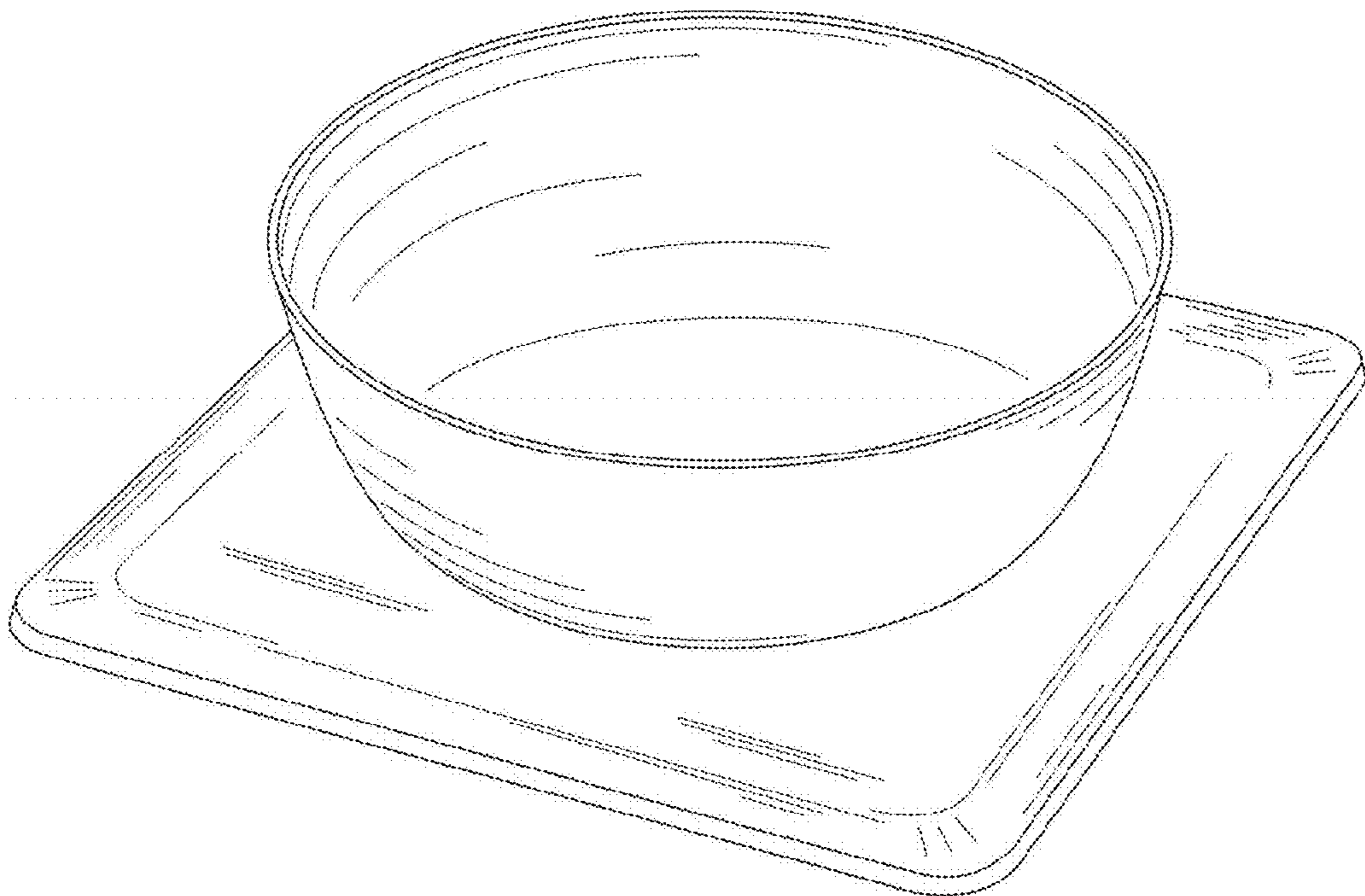


FIG.4

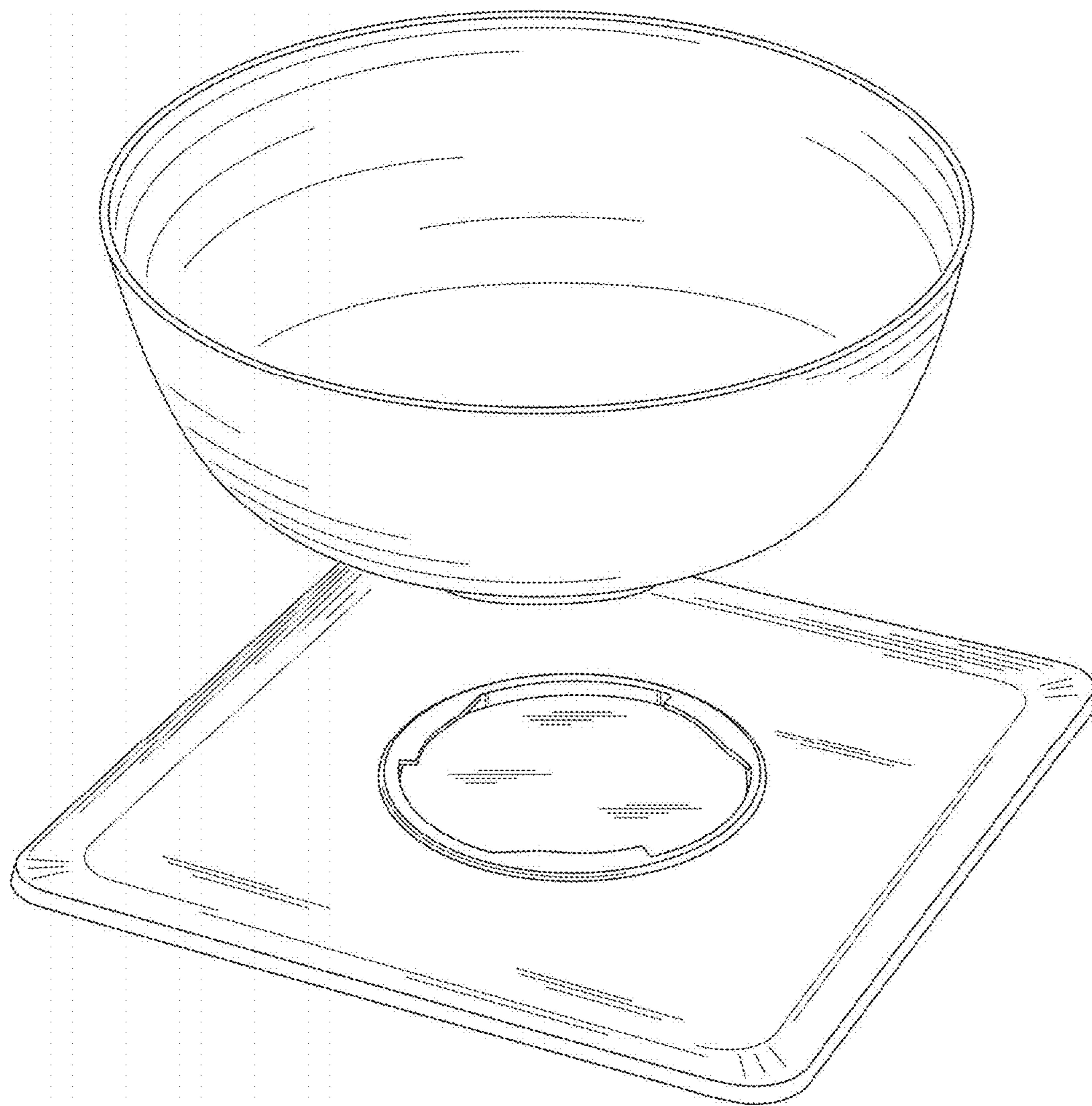


FIG. 5

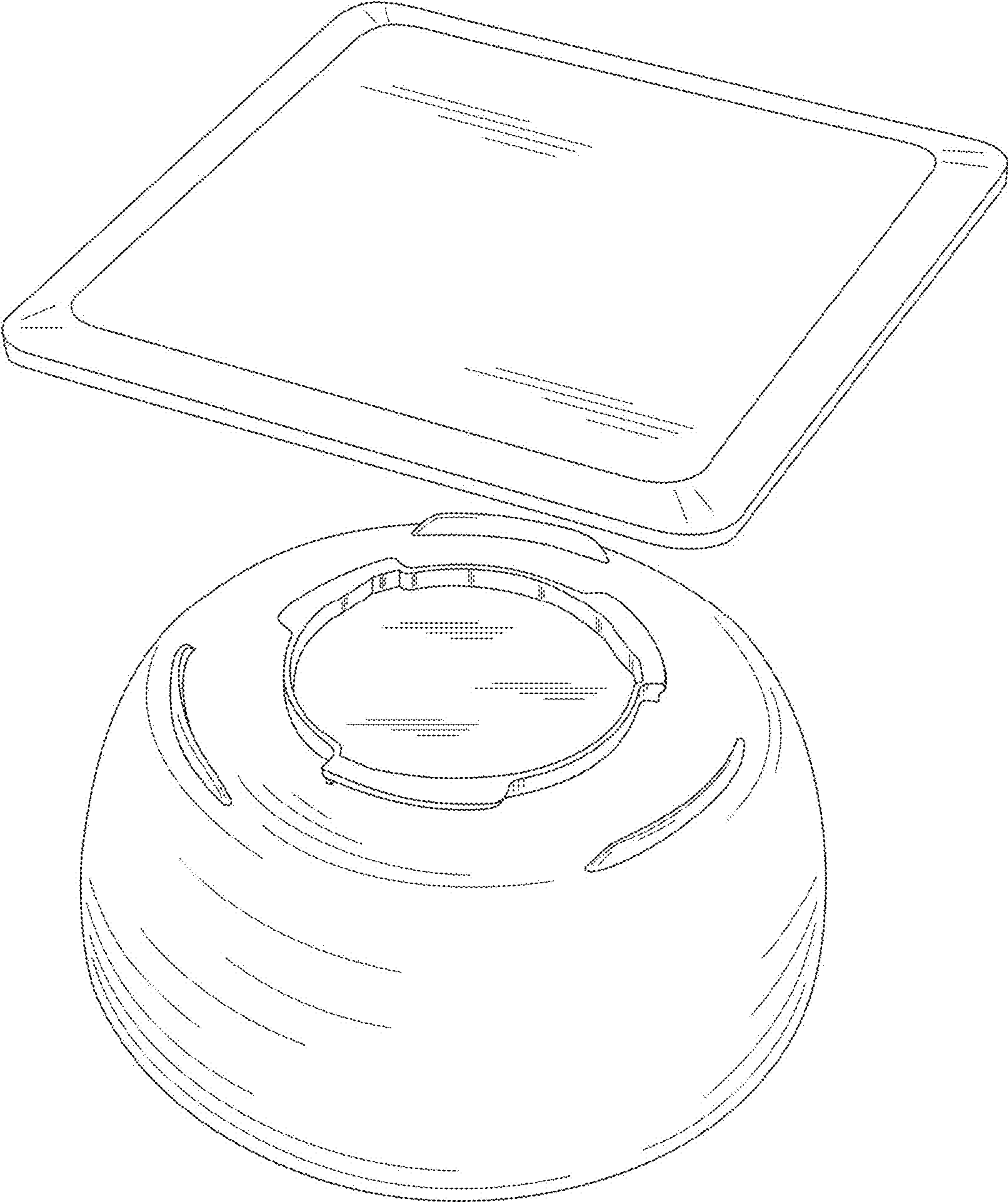


FIG.6