



US00D870981S

(12) **United States Design Patent** (10) **Patent No.:** **US D870,981 S**
Tamulewicz (45) **Date of Patent:** **** Dec. 24, 2019**

(54) **SMALL ANIMAL HABITAT ACCESSORY**

OTHER PUBLICATIONS

(71) Applicant: **PetSmart Home Office, Inc.**, Phoenix, AZ (US)

“Bad Cage Unboxing Review” (via YouTube), available Nov. 5, 2018, [online], [site visited Aug. 10, 2019]. Retrieved from Internet, URL: <https://www.youtube.com/watch?v=SmwSpxwvFy0> (Year: 2018).*

(72) Inventor: **Paul Tamulewicz**, Glendale, AZ (US)

“Castle Connectable Hamster Home” available Aug. 10, 2019, [online], [site visited Aug. 10, 2019]. Retrieved from Internet, URL:<https://www.petsmart.com/small-pet/cages-habitats-and-hutches/tunnels-and-hideouts/all-living-things-tiny-talesandtrade-castle-connectable-hamster-home-51404.html> (Year: 2019).*

(73) Assignee: **PETSMART HOME OFFICE, INC.**, Phoenix, AZ (US)

“Castle turret” available Aug. 10, 2019, [online], [site visited Aug. 10, 2019]. Retrieved from Internet, URL:<https://www.petsmart.com/small-pet/toys-and-habitat-accessories/tunnels-and-hideouts/all-living-things-tiny-talesandtrade-castle-turret-small-pet-tunnel-51143.html> (Year: 2019).*

(**) Term: **15 Years**

(21) Appl. No.: **29/664,984**

(22) Filed: **Sep. 28, 2018**

(51) **LOC (12) Cl.** **30-01**

* cited by examiner

(52) **U.S. Cl.**
USPC **D30/118**

Primary Examiner — Michael C Stout
Assistant Examiner — Katrina N Gonzalez

(58) **Field of Classification Search**
USPC D30/108–119, 160, 161, 199; D21/424, D21/433, 451, 452, 453, 454, 455, 465, D21/483, 506, 507, 508, 510, 548, 549
CPC A01K 1/0245; A01K 1/00; A01K 1/02; A01K 1/03; A01K 1/031
See application file for complete search history.

(74) *Attorney, Agent, or Firm* — Fox Rothschild LLP

(57) **CLAIM**

The ornamental design for a small animal habitat accessory, as shown and described.

DESCRIPTION

(56) **References Cited**

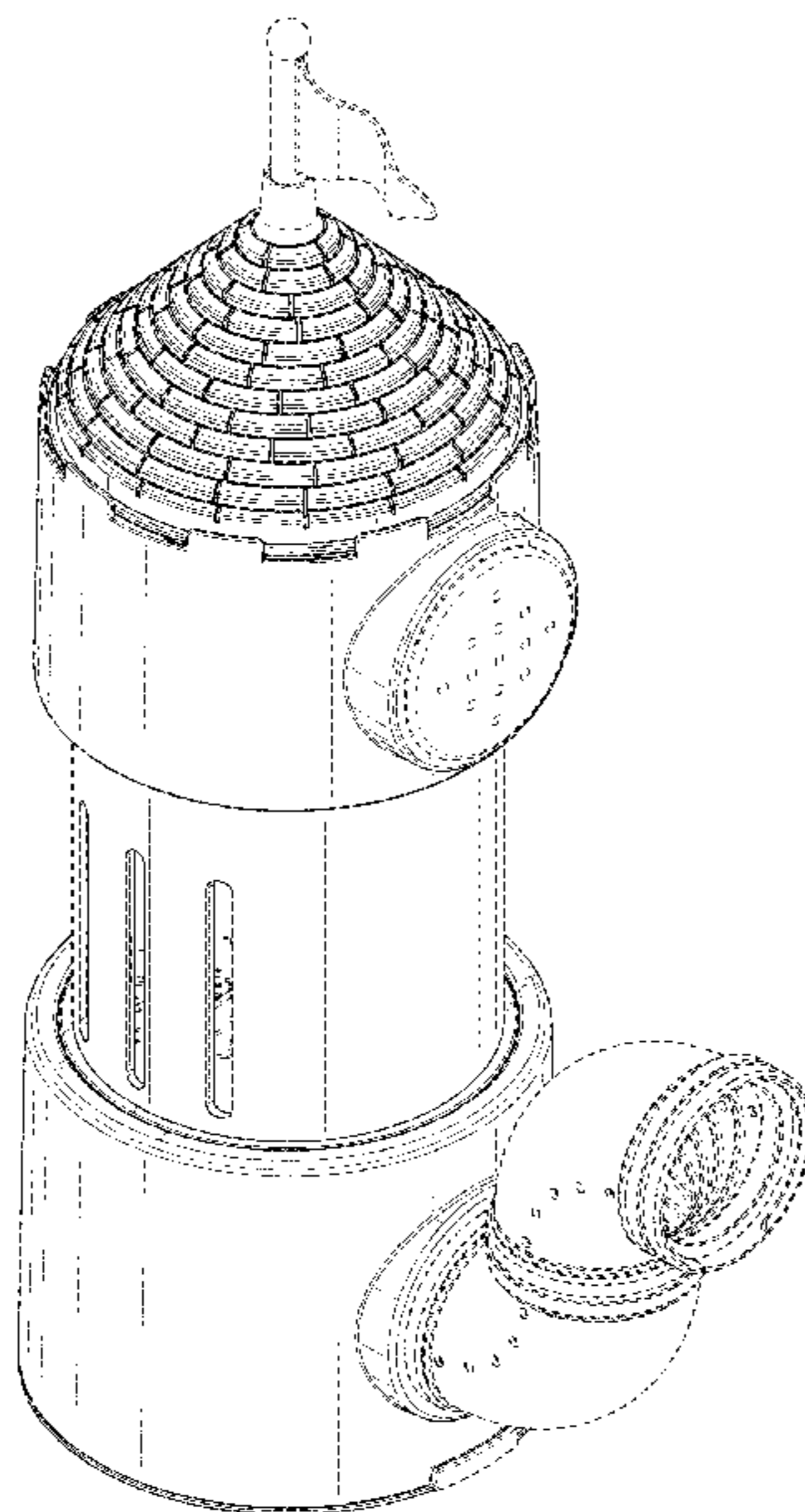
U.S. PATENT DOCUMENTS

D258,543 S *	3/1981	Molnar	D30/108
D309,046 S *	7/1990	Andersen	D30/112
6,044,799 A *	4/2000	Tominaga	A01K 1/03 119/452
D443,956 S *	6/2001	Rudnick	D30/108
D604,016 S *	11/2009	Langston	D30/112
D631,105 S *	1/2011	Cohen	D21/510
D652,997 S *	1/2012	Collins	D30/108
D689,140 S *	9/2013	Lo	D21/451
D696,137 S *	12/2013	Bulens	D21/510
D797,886 S *	9/2017	Parisi	D21/510

FIG. 1 is a top perspective view of the small animal habitat accessory showing my new design;
FIG. 2 is a front elevation view thereof;
FIG. 3 is a rear elevation view thereof;
FIG. 4 is a left side elevation view thereof;
FIG. 5 is a right side elevation view thereof;
FIG. 6 is a top plan view thereof; and,
FIG. 7 is a bottom plan view.

The broken lines shown on the drawings are for the purpose of illustrating environmental structure and forms no part of the claimed design.

1 Claim, 7 Drawing Sheets



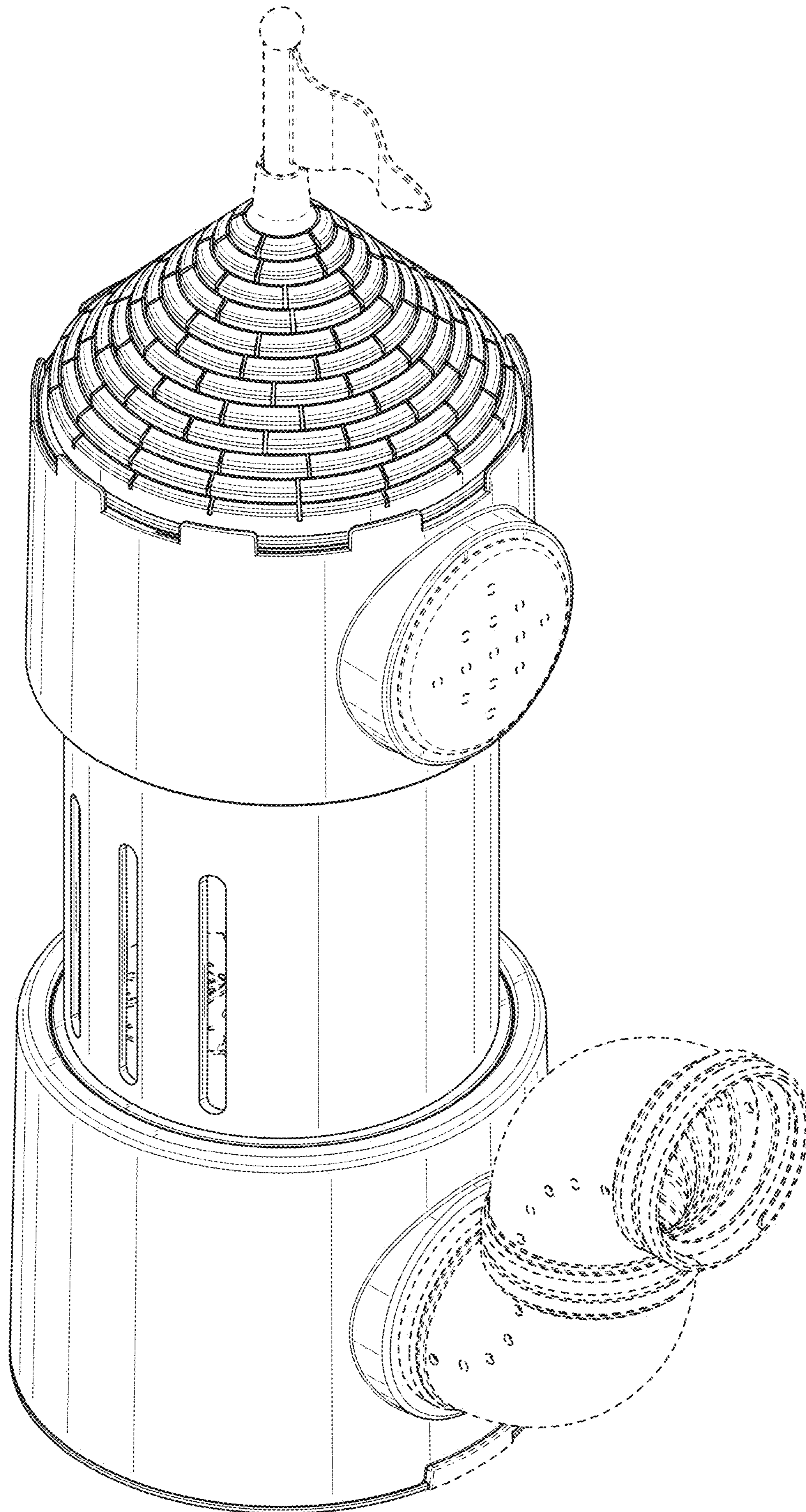


FIG. 1

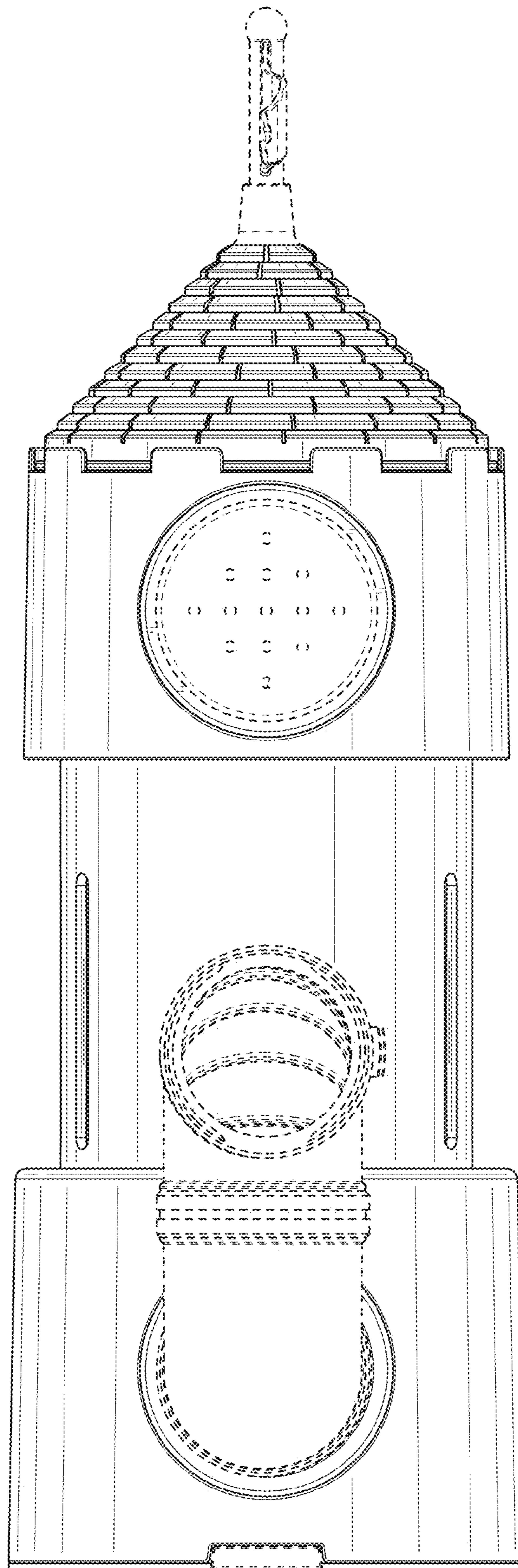


FIG. 2

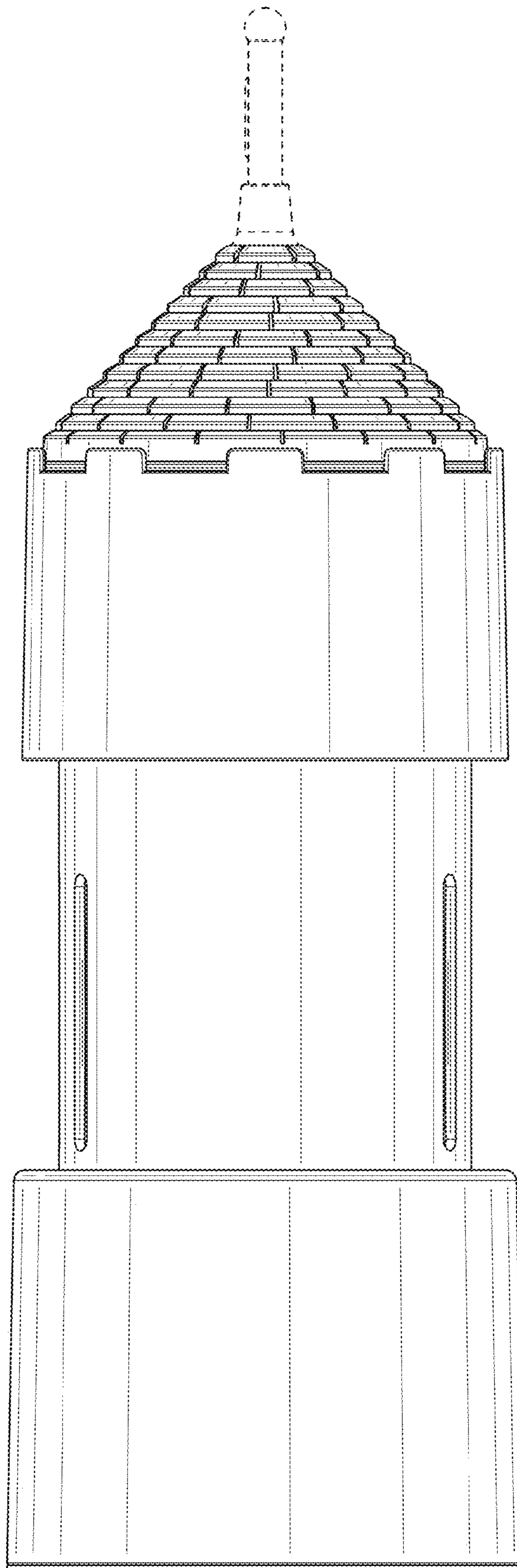


FIG. 3

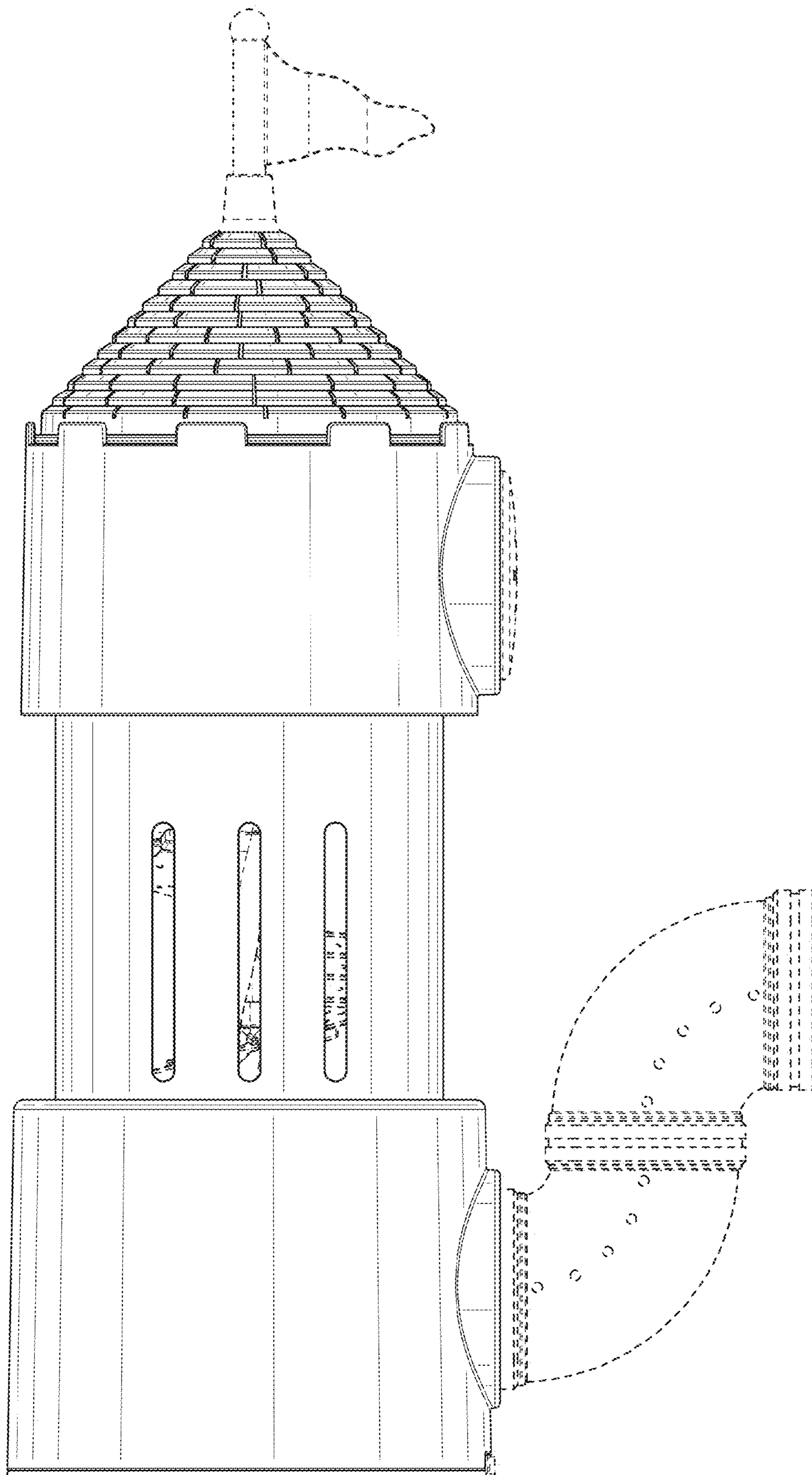


FIG. 4

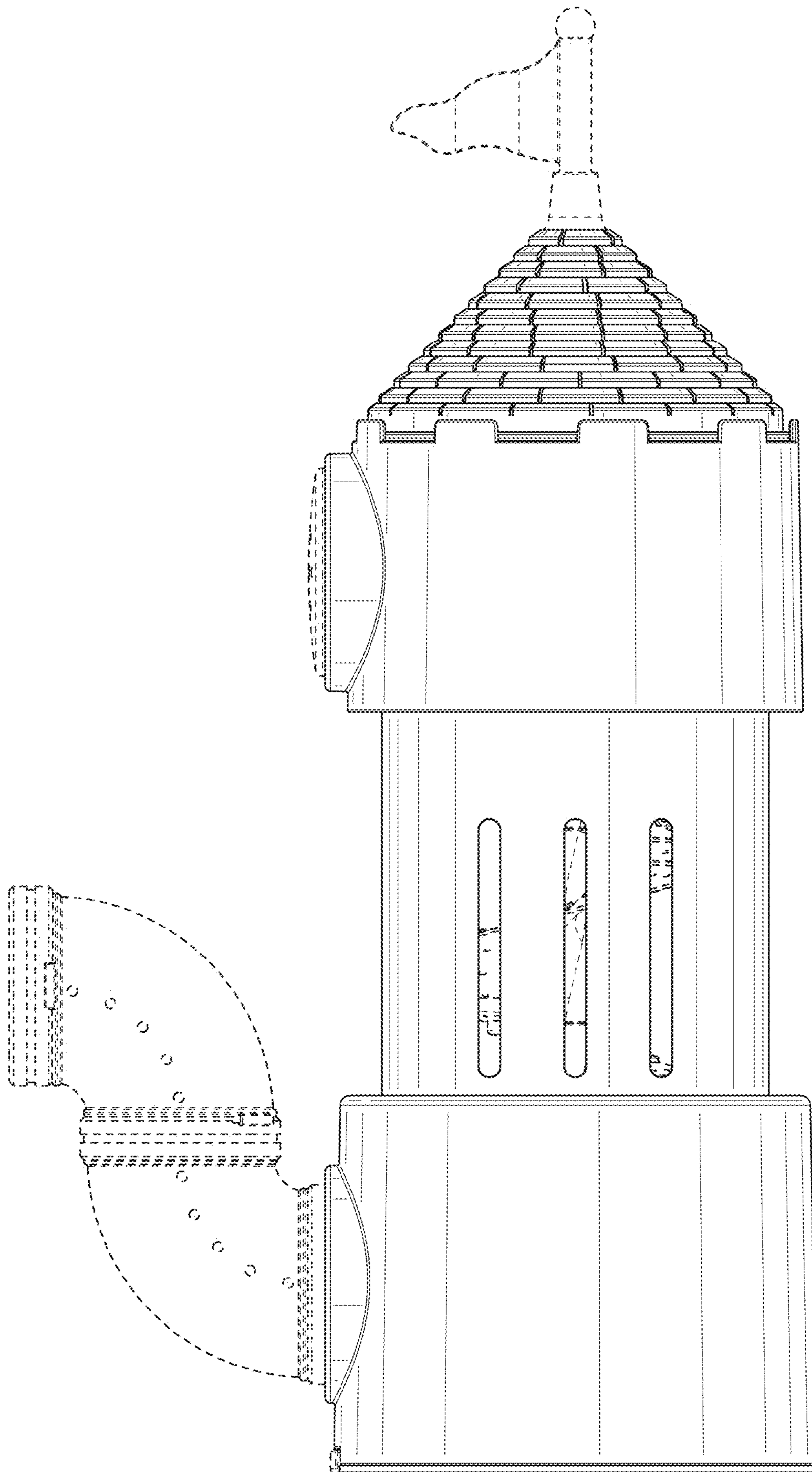


FIG. 5

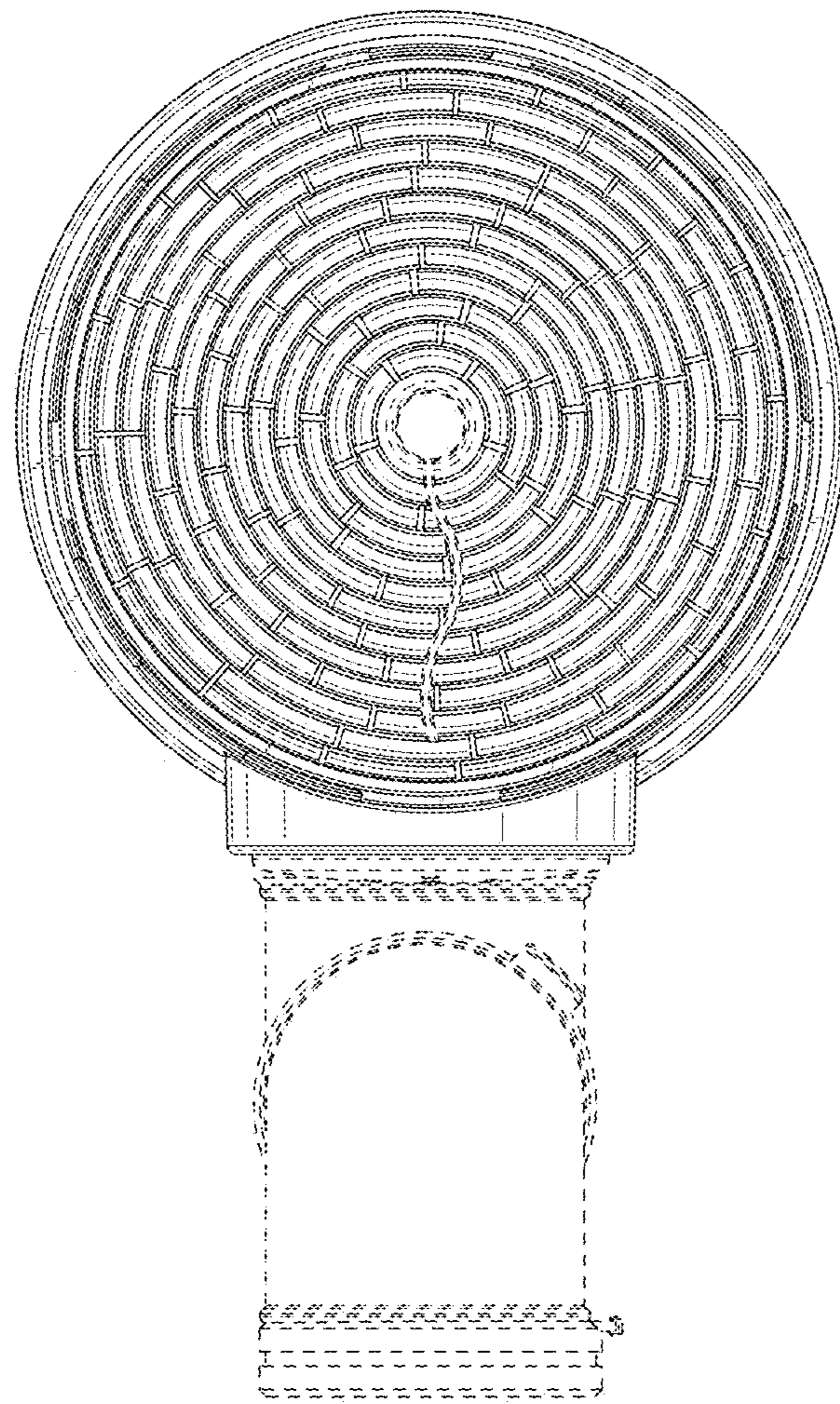


FIG. 6

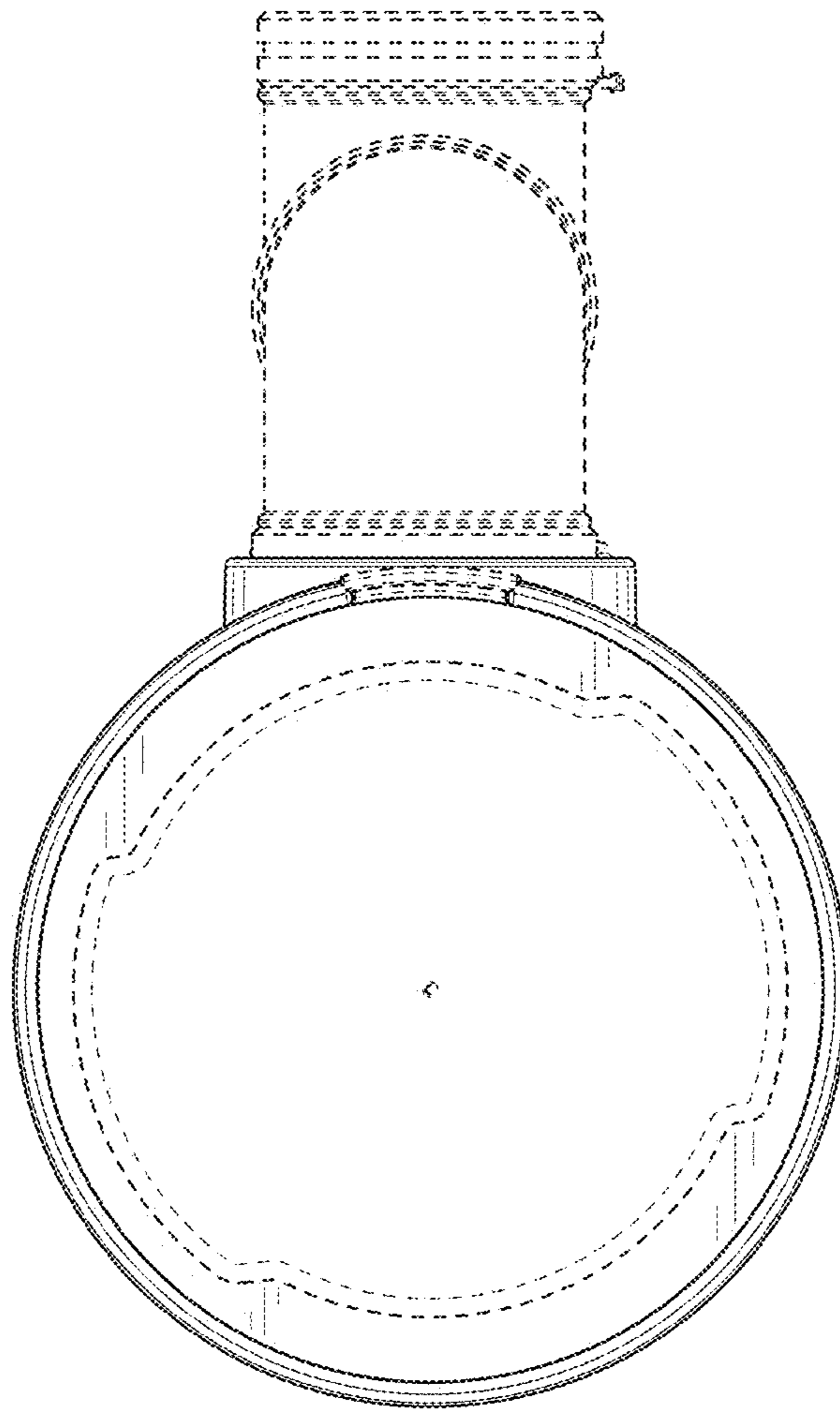


FIG. 7