



US00D870979S

(12) **United States Design Patent**
Tamulewicz

(10) **Patent No.:** **US D870,979 S**

(45) **Date of Patent:** **** Dec. 24, 2019**

(54) **SMALL ANIMAL HABITAT**

(71) Applicant: **PetSmart Home Office, Inc.**, Phoenix, AZ (US)

(72) Inventor: **Paul Tamulewicz**, Glendale, AZ (US)

(73) Assignee: **PETSMART HOME OFFICE, INC.**, Phoenix, AZ (US)

(**) Term: **15 Years**

(21) Appl. No.: **29/664,784**

(22) Filed: **Sep. 27, 2018**

(51) **LOC (12) Cl.** **30-02**

(52) **U.S. Cl.**
USPC **D30/112**

(58) **Field of Classification Search**
USPC D30/108–119, 160, 161, 199; D21/424, D21/433, 451, 452, 453, 454, 455, 465, D21/483, 506, 507, 508, 510, 548, 549
CPC A01K 1/0245; A01K 1/00; A01K 1/02; A01K 1/03; A01K 1/031
See application file for complete search history.

(56) **References Cited**

U.S. PATENT DOCUMENTS

6,044,799	A *	4/2000	Tominaga	A01K 1/03 119/452
D610,524	S *	2/2010	Villarreal	D12/413
D644,889	S *	9/2011	Holle	D7/606
2015/0237822	A1 *	8/2015	Jason	A01K 1/03 119/480

OTHER PUBLICATIONS

“Bad Cage Unboxing Review Tiny Tales Race Car Cage” (via YouTube) available Dec. 13, 2018, [online], [site visited]. Retrieved from Internet, URL:https://www.youtube.com/watch?v=3-j8TbH8zSU (Year: 2018).*

“Race Car” available Aug. 10, 2019, [online], [site visited Aug. 10, 2019]. Retrieved from Internet, URL:https://www.petsmart.com/small-pet/cages-habitats-and-hutches/tunnels-and-hideouts/all-living-things-tiny-talesandtrade-race-car-connectable-hamster-home-51627.html (Year: 2019).*

* cited by examiner

Primary Examiner — Michael C Stout

Assistant Examiner — Katrina N Gonzalez

(74) *Attorney, Agent, or Firm* — Fox Rothschild LLP

(57) **CLAIM**

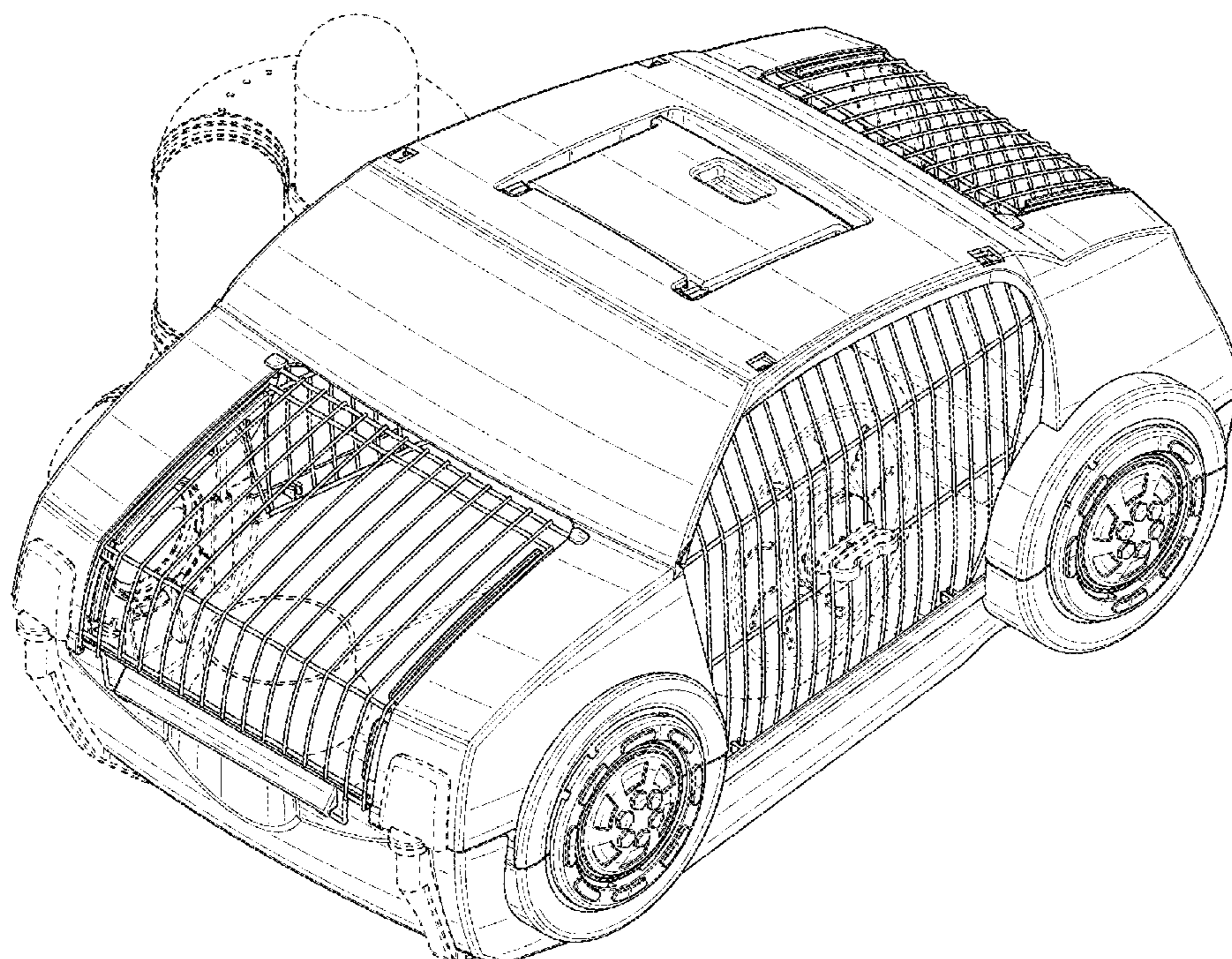
The ornamental design for a small animal habitat, as shown and described.

DESCRIPTION

FIG. 1 is a top perspective view of the small animal habitat showing my new design;
FIG. 2 is a front elevation view thereof;
FIG. 3 is a rear elevation view thereof;
FIG. 4 is a left side elevation view thereof;
FIG. 5 is a right side elevation view thereof;
FIG. 6 is a top plan view thereof; and,
FIG. 7 is a bottom plan view.

The broken lines shown on the drawings are for the purpose of illustrating environmental structure and forms no part of the claimed design.

1 Claim, 7 Drawing Sheets



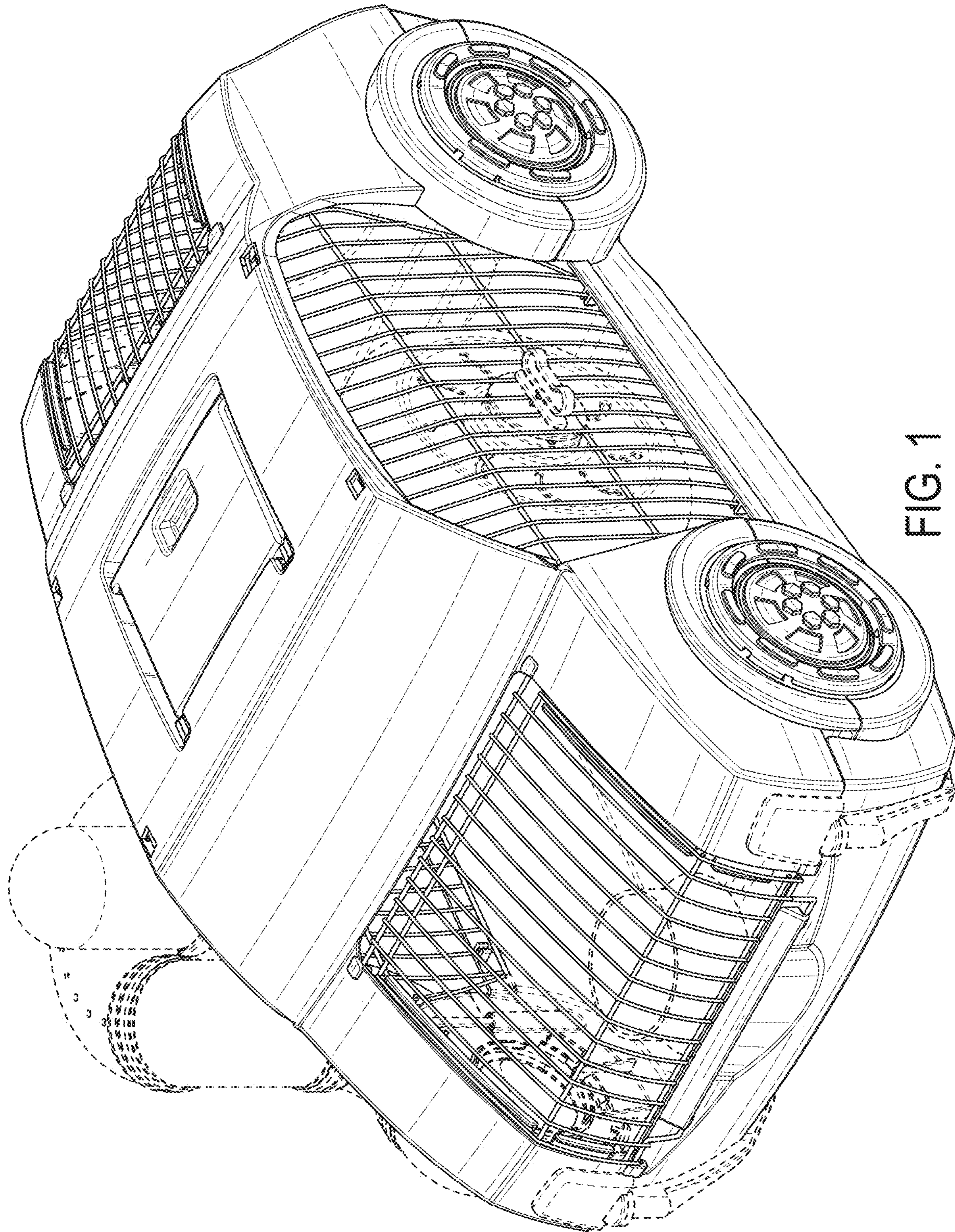


FIG. 1

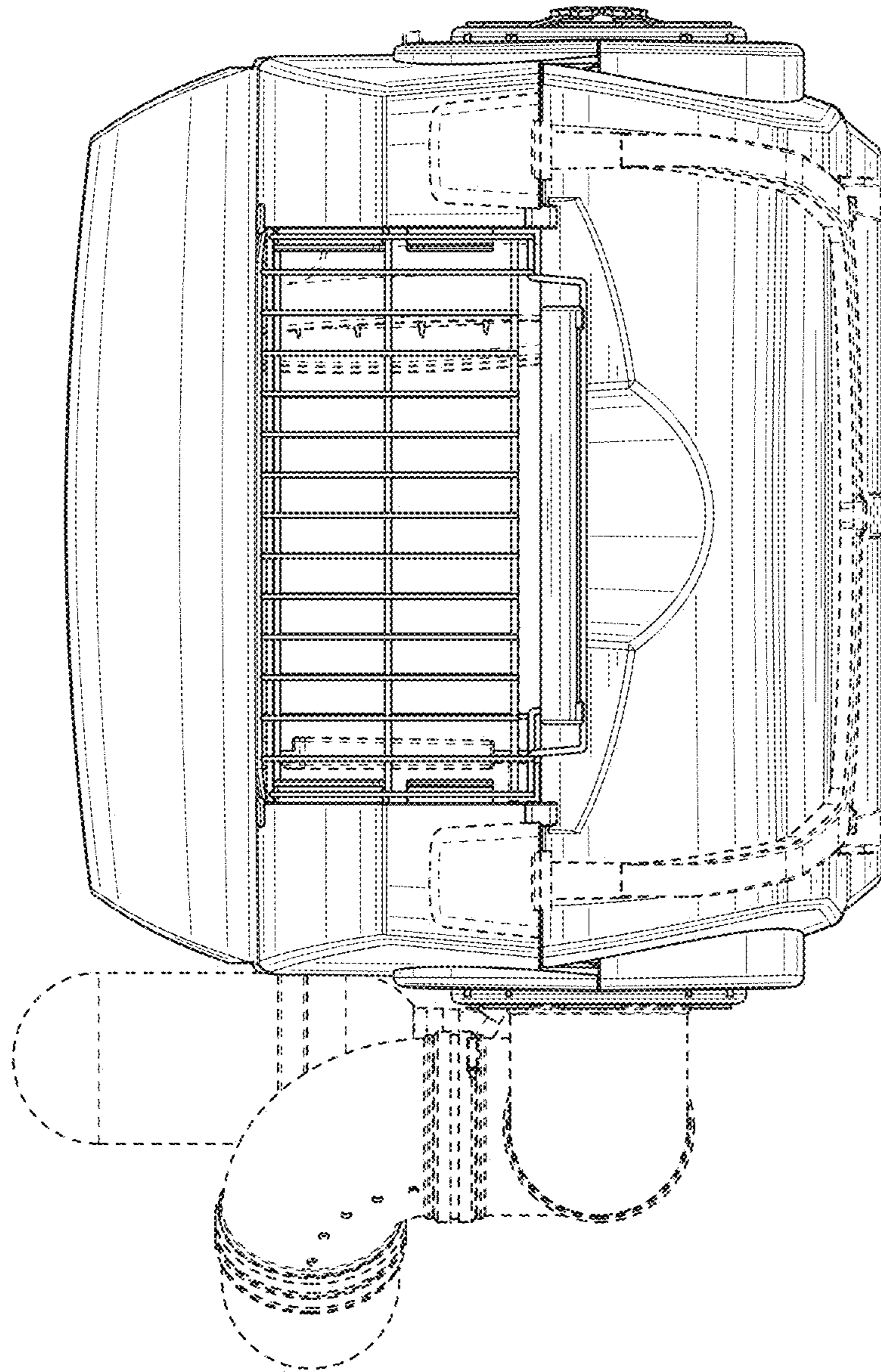


FIG. 2

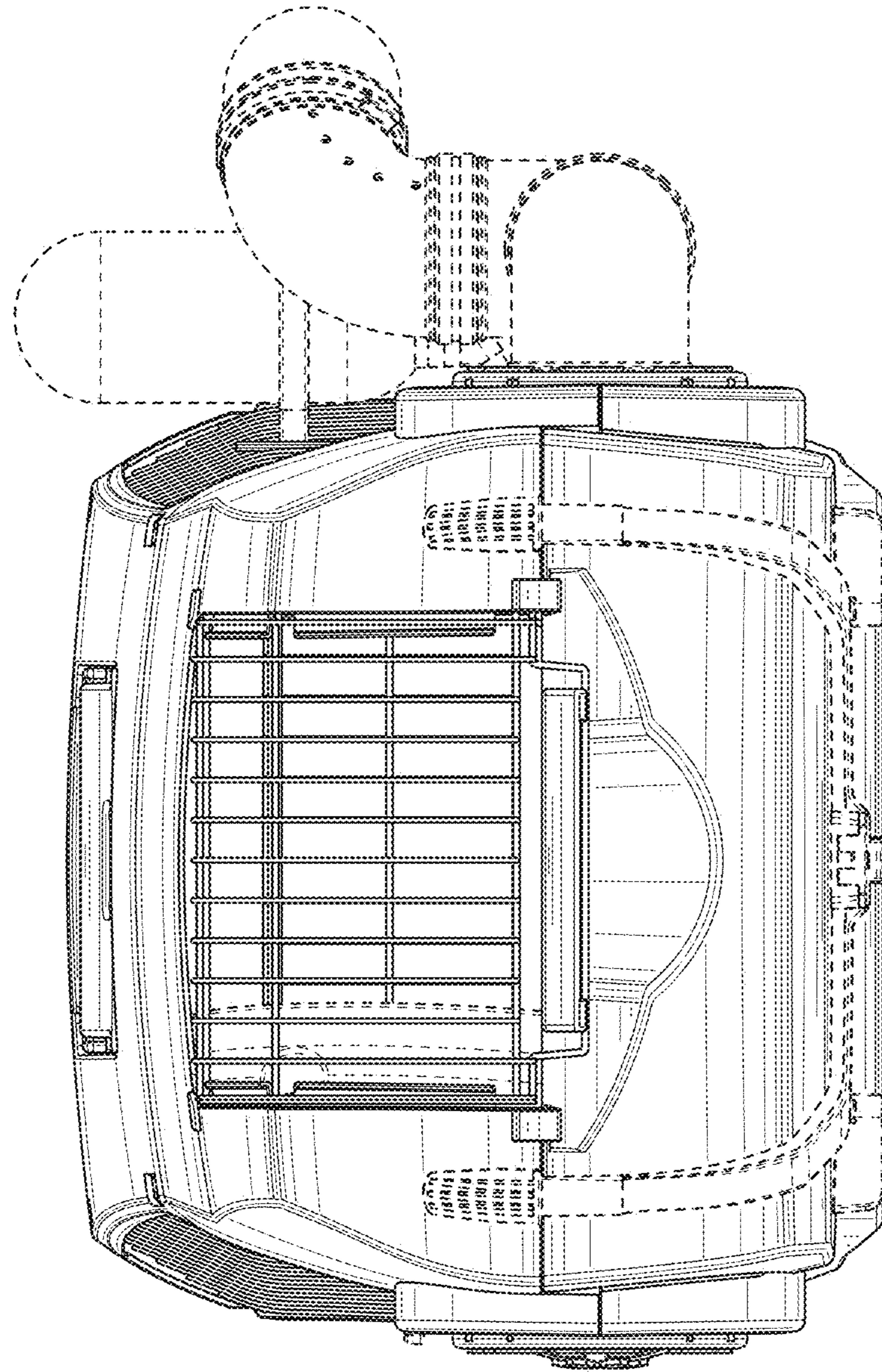


FIG. 3

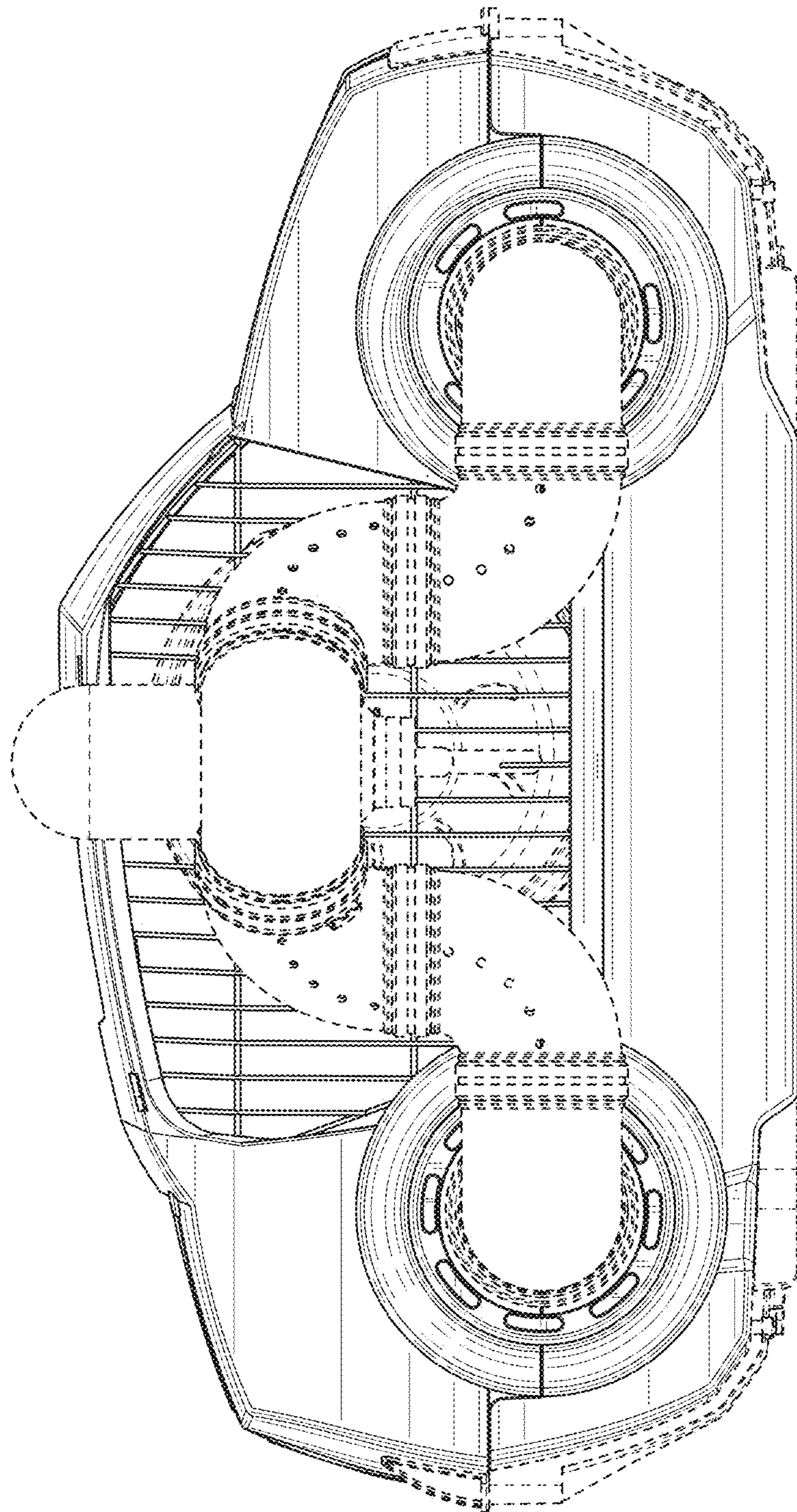


FIG. 4

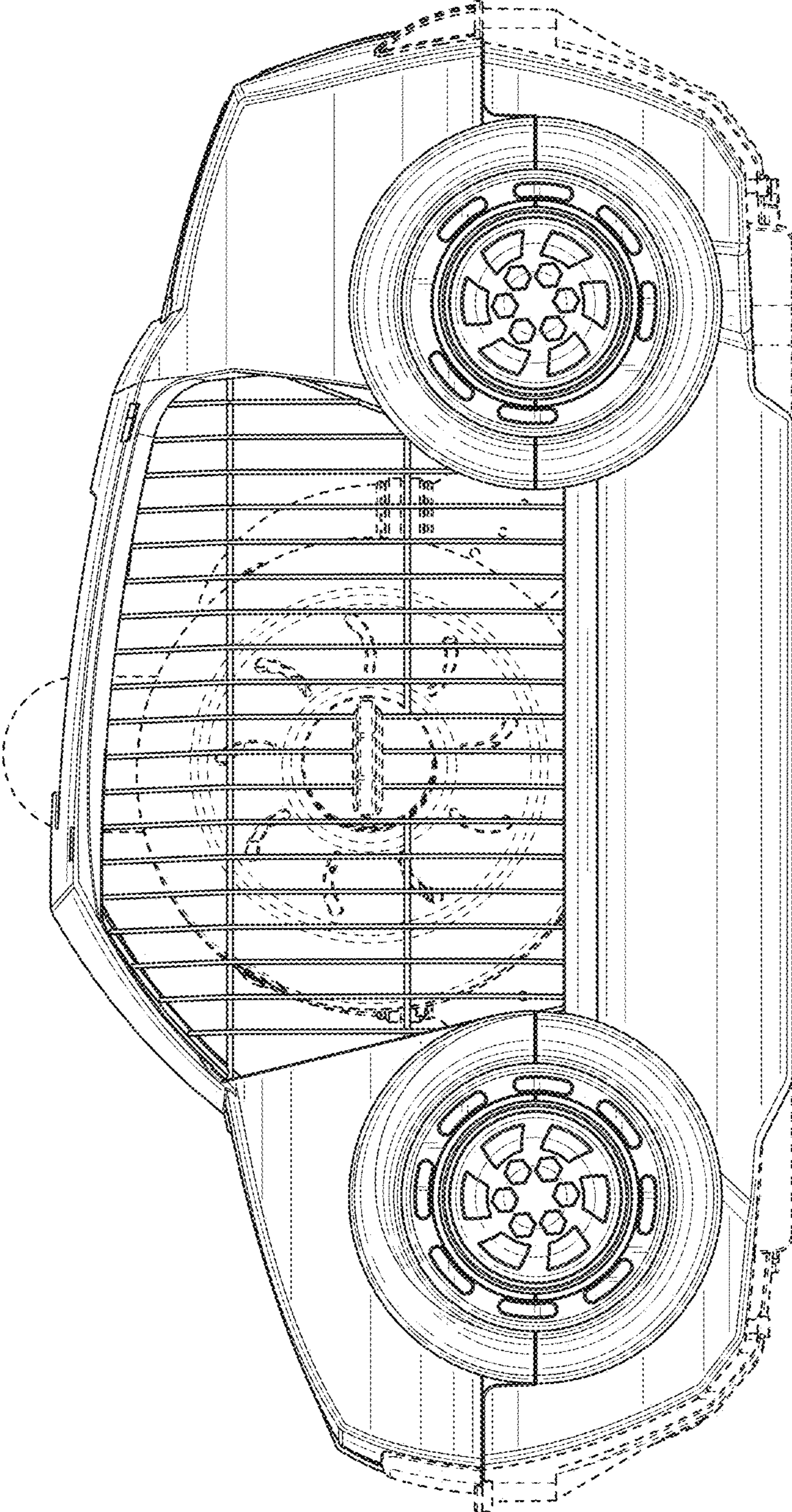


FIG. 5

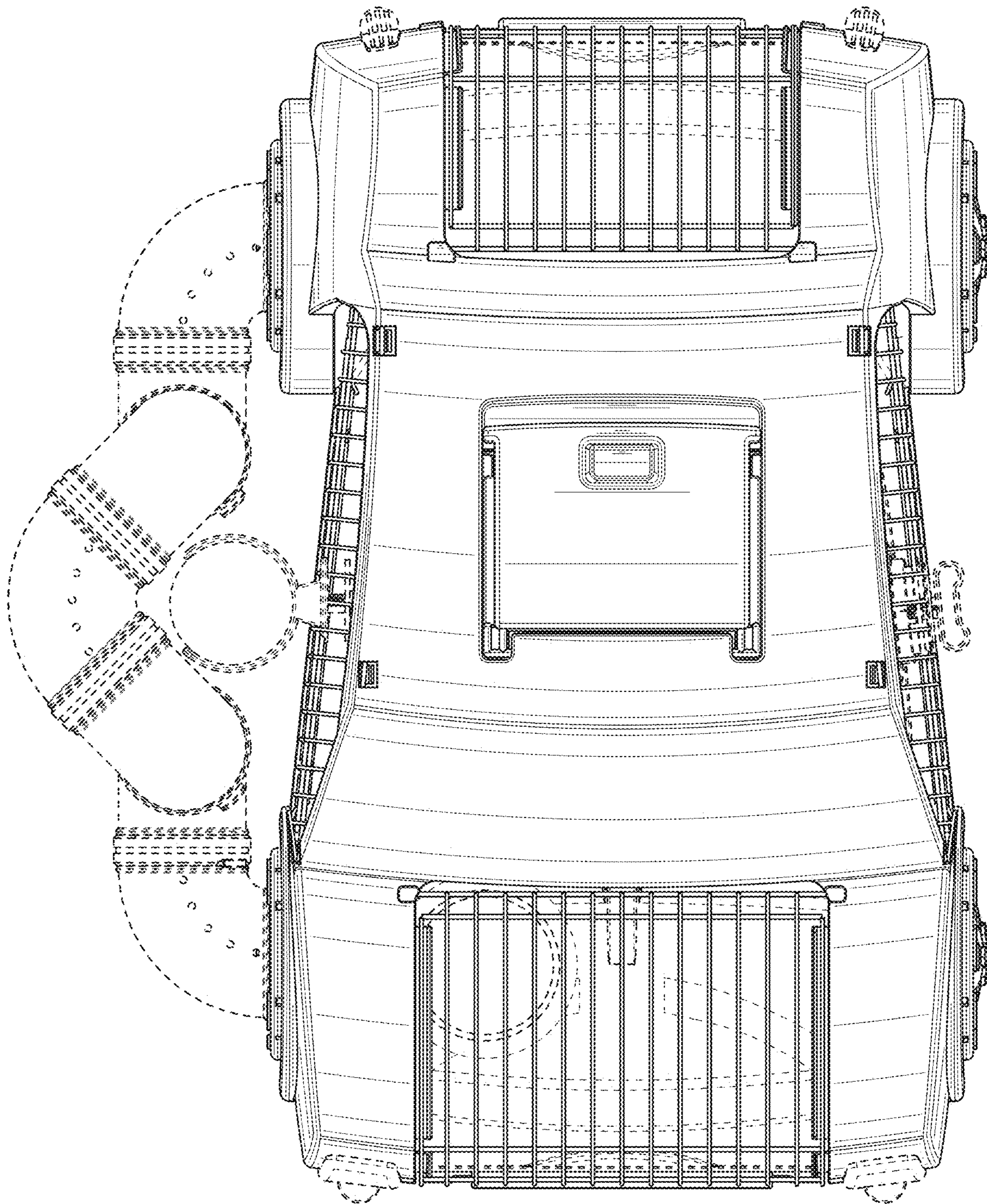


FIG. 6

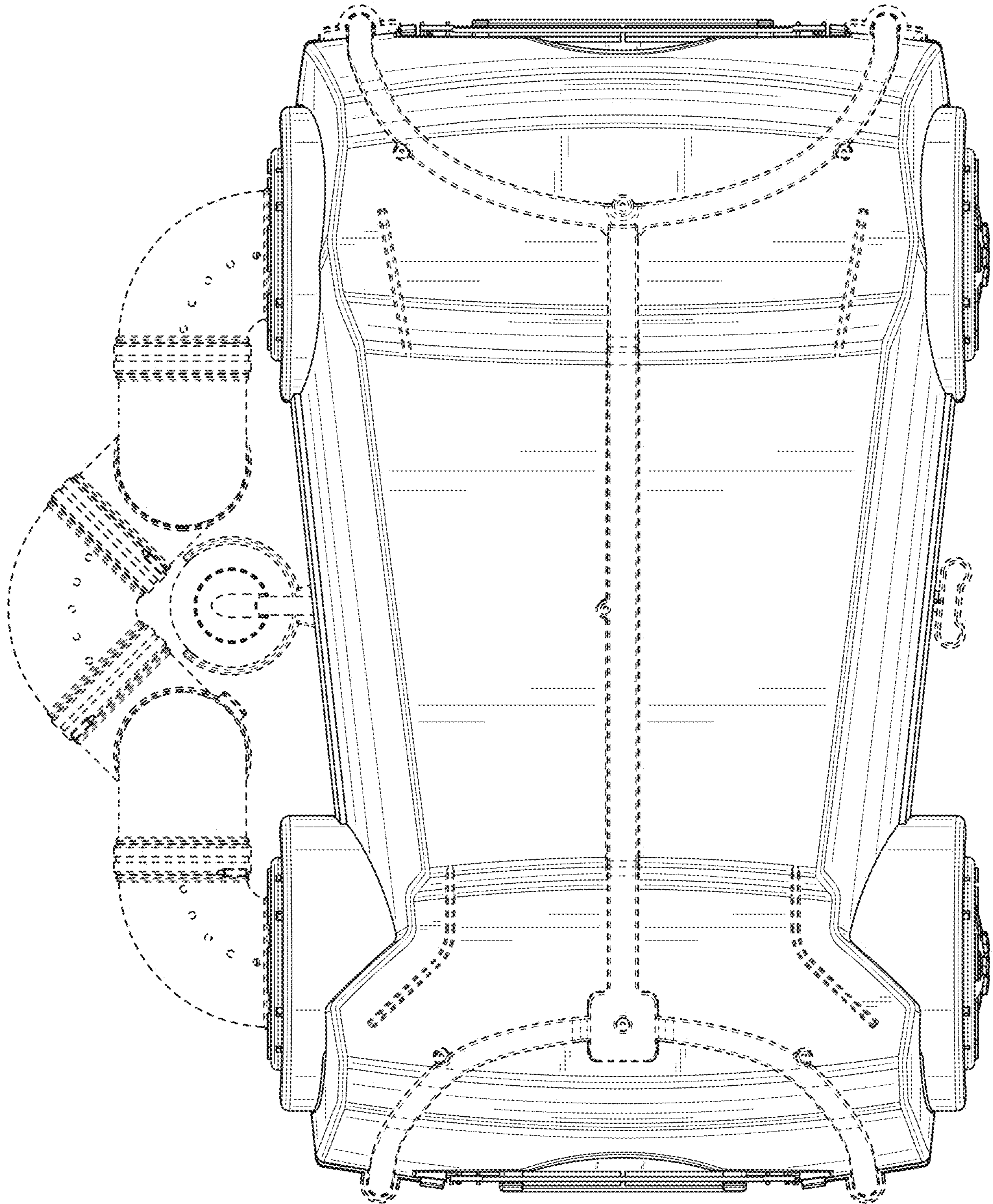


FIG. 7