



US00D870975S

(12) **United States Design Patent**
Gil

(10) **Patent No.:** **US D870,975 S**

(45) **Date of Patent:** **** Dec. 24, 2019**

(54) **HAIR EXTENSION**

(71) Applicant: **Jin-Su Gil**, Seoul (KR)

(72) Inventor: **Jin-Su Gil**, Seoul (KR)

(**) Term: **15 Years**

(21) Appl. No.: **29/637,120**

(22) Filed: **Feb. 14, 2018**

(30) **Foreign Application Priority Data**

Aug. 14, 2017 (KR) 30-2017-0037660

(51) **LOC (12) Cl.** **28-04**

(52) **U.S. Cl.**
USPC **D28/92**

(58) **Field of Classification Search**
USPC D28/92, 93
CPC A41G 3/00; A41G 3/0008; A41G 3/003;
A41G 5/00; A41G 5/0013; A41G 5/0026;
A41G 5/004; A41G 5/0053; A41G 5/0073
See application file for complete search history.

(56) **References Cited**

U.S. PATENT DOCUMENTS

- 3,835,867 A * 9/1974 Molinario A41G 3/0016
132/201
- 6,581,609 B2 * 6/2003 Ott A41G 3/00
132/201
- 7,533,676 B2 * 5/2009 Sthair A41G 5/008
132/201

- 8,590,543 B2 * 11/2013 Goff B41J 3/407
132/212
- 9,241,525 B2 * 1/2016 Alex A41G 5/008
- 9,259,044 B2 * 2/2016 Kim A41G 5/004
- 9,339,072 B2 * 5/2016 Kenna A41G 5/008
- 9,572,656 B2 * 2/2017 Jang A61F 2/10
- 9,861,148 B2 * 1/2018 Alex A41G 3/0075
- 10,010,125 B1 * 7/2018 Maman A41G 5/0046

* cited by examiner

Primary Examiner — Zenia I Bennett

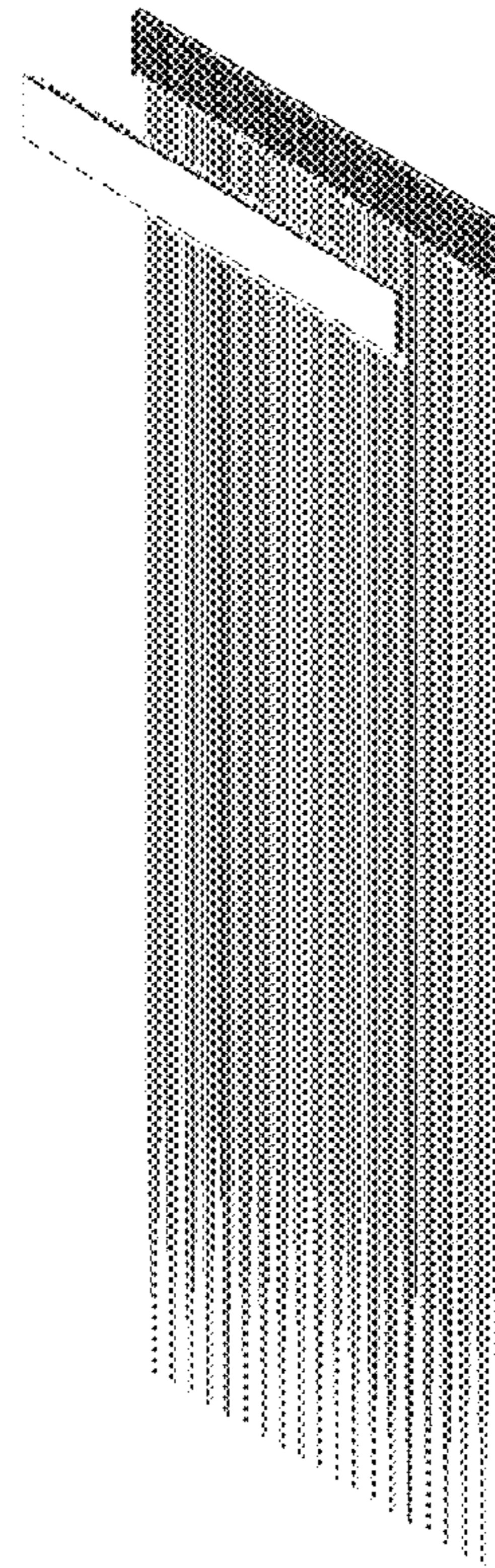
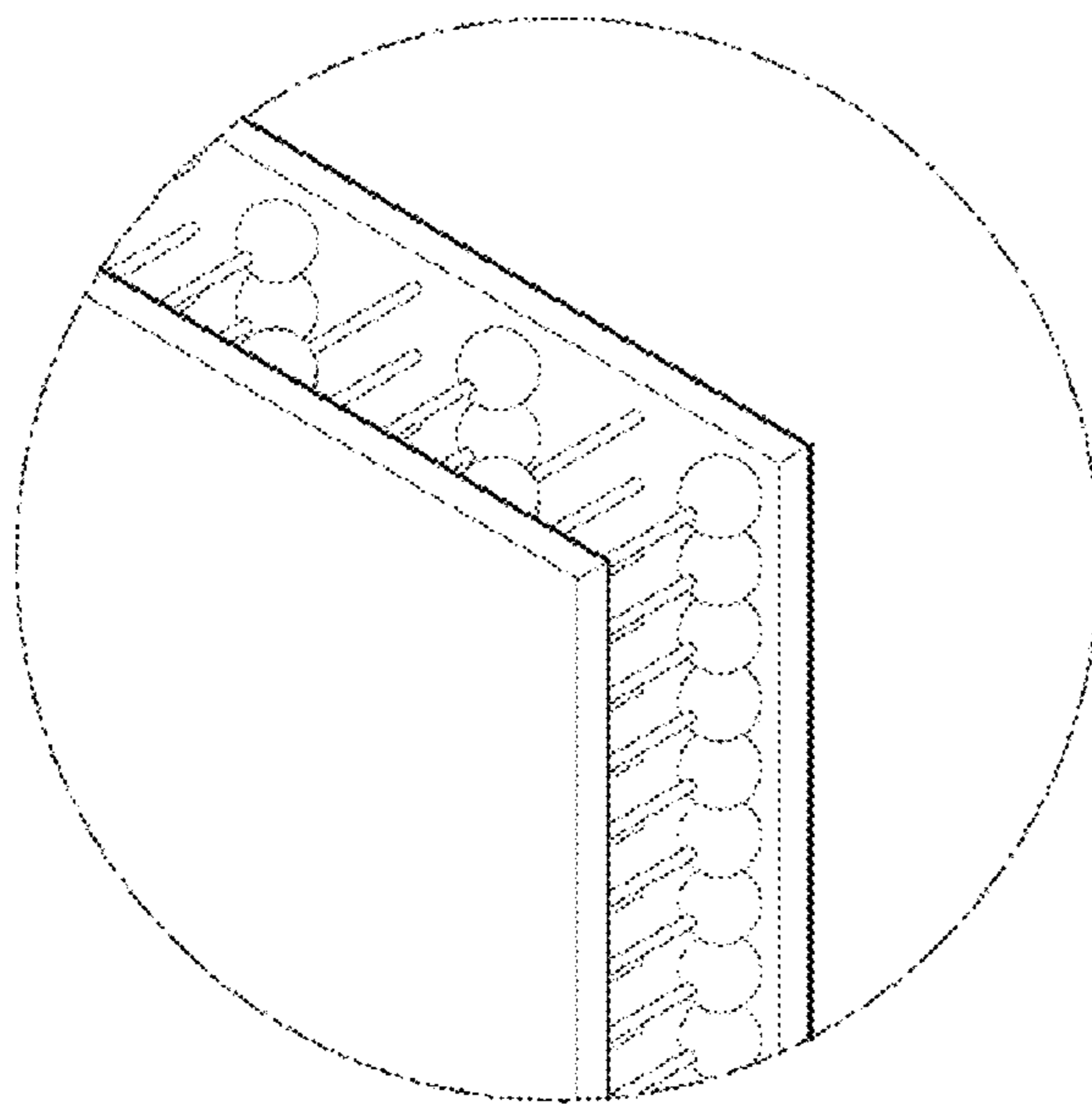
(57) **CLAIM**

The ornamental design for a hair extension, as shown and described.

DESCRIPTION

FIG. 1 is a perspective view of a hair extension according to the present invention;
 FIG. 2 is a front view of the hair extension of FIG. 1;
 FIG. 3 is a rear view of the hair extension of FIG. 1;
 FIG. 4 is a left side view of the hair extension of FIG. 1;
 FIG. 5 is a right side view of the hair extension of FIG. 1;
 FIG. 6 is a top view of the hair extension of FIG. 1;
 FIG. 7 is a bottom view of the hair extension of FIG. 1;
 FIG. 8 is an enlarged view of 'A' part of FIG. 1 and shows a composition of a cross-shaped hook part of the hair extension of the present invention; and,
 FIG. 9 is a view showing development status of a fixed part prior to fixing the hair extension of the present invention.

1 Claim, 7 Drawing Sheets



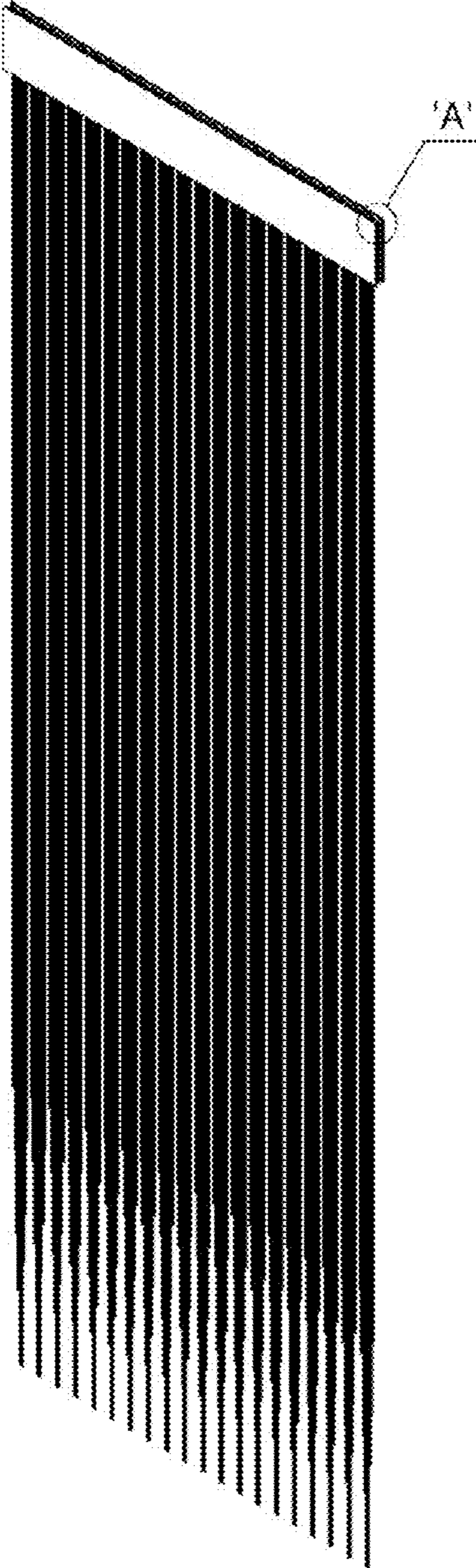


Fig. 1

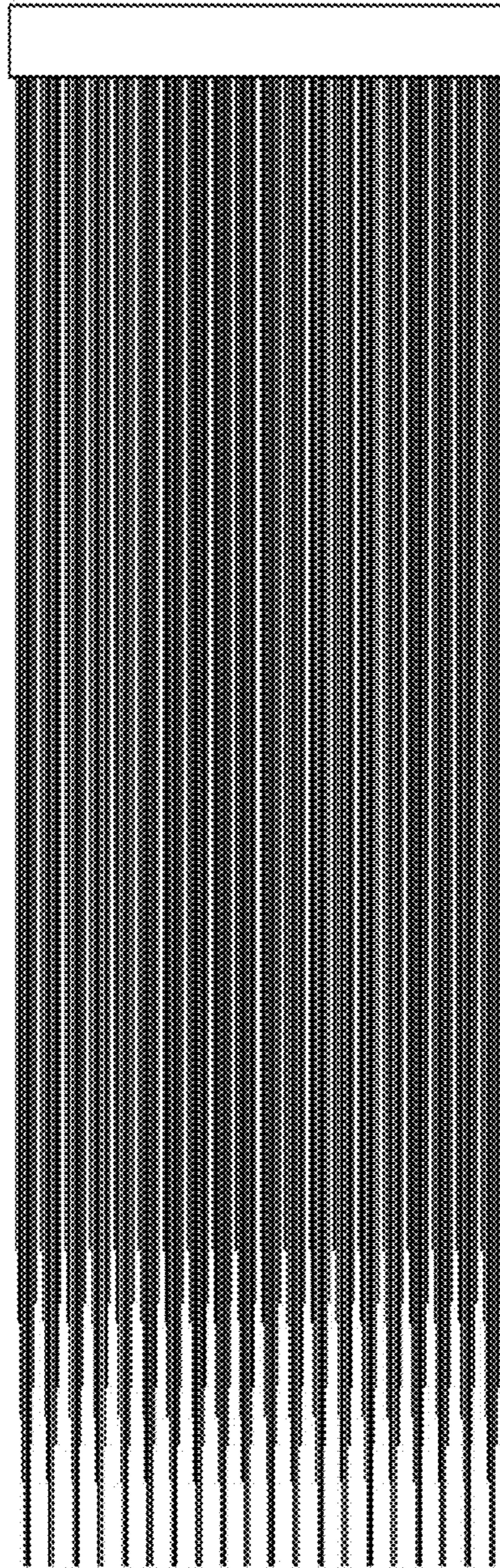


Fig. 2

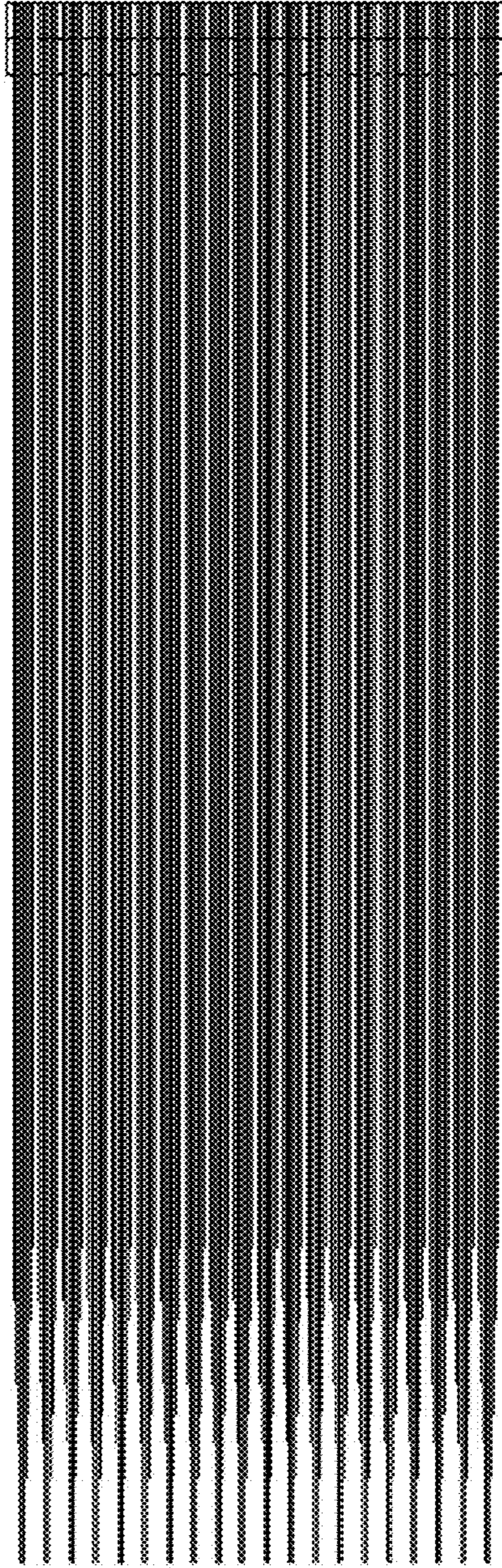


Fig. 3

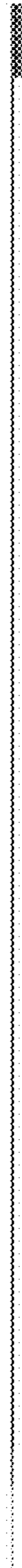


Fig. 4



Fig. 5



Fig. 6



Fig. 7

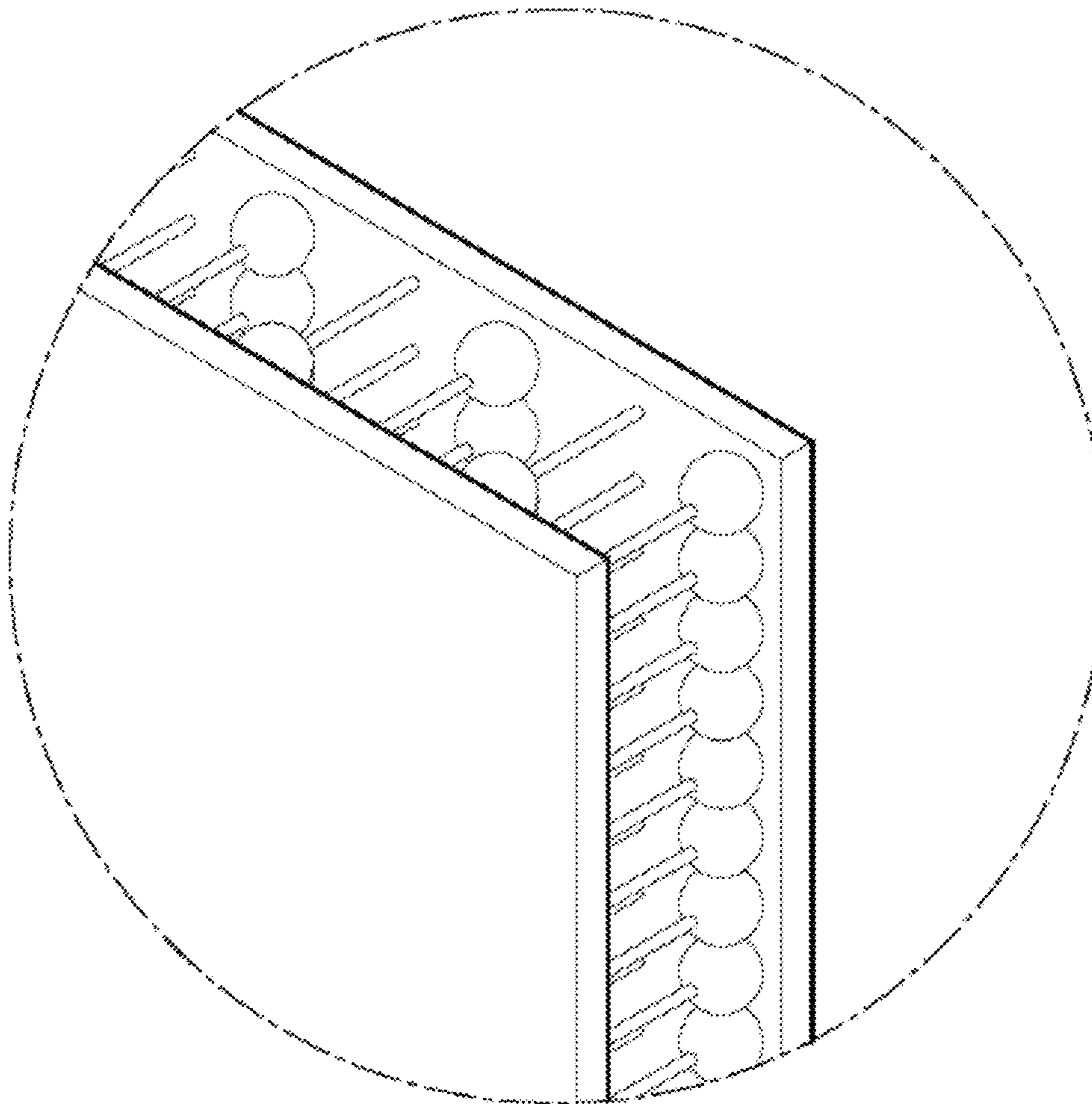


Fig. 8

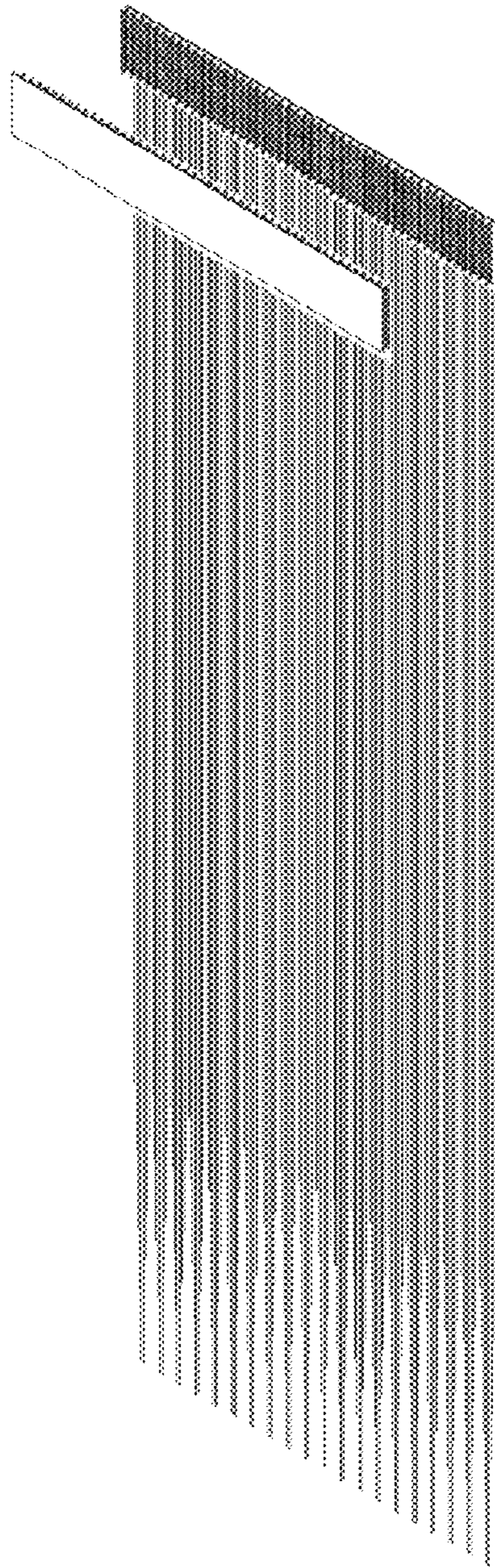


Fig. 9