



US00D870972S

(12) **United States Design Patent** (10) **Patent No.:** **US D870,972 S**
Aitink et al. (45) **Date of Patent:** **** *Dec. 24, 2019**

(54) **BLADE FOR HAIR CUTTING APPLIANCE**

(56)

References Cited

(71) Applicant: **KONINKLIJKE PHILIPS N.V.**,
Eindhoven (NL)
(72) Inventors: **Albert Jan Aitink**, Eindhoven (NL);
Martinus Bernardus Stapelbroek,
Frieschepalen (NL)
(73) Assignee: **KONINKLIJKE PHILIPS N.V.**,
Eindhoven (NL)

U.S. PATENT DOCUMENTS

2,102,529 A	12/1937	Hanley
2,216,797 A	10/1940	Andis
2,290,326 A	7/1942	Hanley
3,279,061 A	10/1966	Andis
5,084,967 A	2/1992	Nakagawa et al.
5,542,179 A	8/1996	Beutel
D577,864 S	9/2008	Kitagawa et al.
D589,649 S	3/2009	Tamsiran
D593,253 S	5/2009	Tamsiran
D593,254 S	5/2009	Tamsiran
D600,408 S *	9/2009	Micinilio D28/46

(*) Notice: This patent is subject to a terminal disclaimer.

(Continued)

(**) Term: **15 Years**

FOREIGN PATENT DOCUMENTS

(21) Appl. No.: **29/696,507**

CN	2145688	11/1993
DE	2455574	7/1975

(22) Filed: **Jun. 28, 2019**

(Continued)

Primary Examiner — Jennifer Rivard

Related U.S. Application Data

(62) Division of application No. 15/301,428, filed as application No. PCT/EP2015/058486 on Apr. 20, 2015.

(57)

CLAIM

The ornamental design for a blade for hair cutting appliance, as shown and described.

(30) **Foreign Application Priority Data**

Apr. 18, 2014 (EP) 14165283

(51) **LOC (12) Cl.** **28-03**

(52) **U.S. Cl.**
USPC **D28/54**

(58) **Field of Classification Search**
USPC D28/49-54
CPC B26B 19/20-205; B26B 19/00-107; B26B
19/12-18; B26B 19/22-24; B26B
19/26-265; B26B 19/28-36; B26B
19/38-48

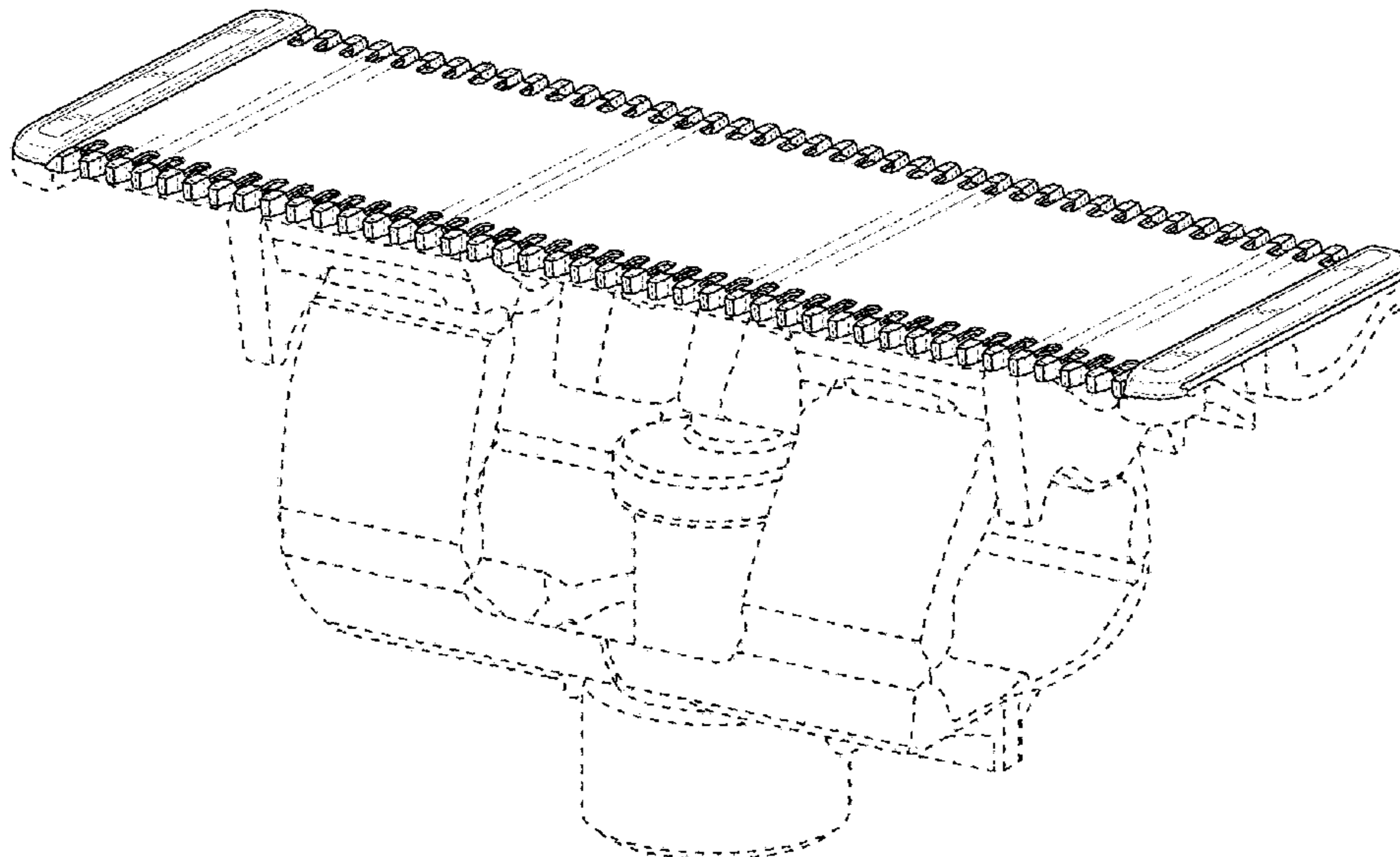
DESCRIPTION

FIG. 1 is a top, front, right perspective view of a blade for hair cutting appliance;
FIG. 2 is a bottom, rear, left perspective view thereof;
FIG. 3 is a top plan view thereof;
FIG. 4 is a bottom plan view thereof;
FIG. 5 is a right side elevation view thereof;
FIG. 6 is a left side elevation view thereof;
FIG. 7 is a rear elevation view thereof; and,
FIG. 8 is a front elevation view thereof.

The broken lines of even length illustrate portions of the blade for hair cutting appliance that form no part of the claimed design. The broken lines of uneven length illustrate the boundary of the claimed design and form no part thereof.

See application file for complete search history.

1 Claim, 8 Drawing Sheets



(56)

References Cited

U.S. PATENT DOCUMENTS

D604,908 S * 11/2009 Kling D28/46
 D629,159 S * 12/2010 Yoon D28/46
 D646,438 S 10/2011 Leventhal et al.
 D649,712 S * 11/2011 Pan D28/46
 D654,221 S 2/2012 Christie et al.
 D664,298 S * 7/2012 Grabes D24/133
 D675,378 S * 1/2013 Boulanger D28/46
 D696,460 S 12/2013 Prat-Pfister et al.
 D696,461 S 12/2013 Prat-Pfister et al.
 D758,016 S * 5/2016 Andersson D28/51
 D758,661 S * 6/2016 Andersson D28/51
 D758,662 S * 6/2016 De Klein D28/51
 D776,878 S * 1/2017 Andersson D28/54
 D824,107 S * 7/2018 Teteak D28/53
 D828,627 S * 9/2018 Szymanski D28/51
 D849,325 S * 5/2019 Szymanski D28/51
 2004/0163257 A1 8/2004 Morisugi et al.
 2011/0094107 A1 4/2011 Ring et al.
 2014/0317932 A1 * 10/2014 Van Straaten B26B 19/06
 30/34.1

2016/0059428 A1 * 3/2016 Lau B26B 19/06
 30/30
 2016/0236363 A1 * 8/2016 Stapelbroek B26B 19/3846
 2017/0113361 A1 4/2017 Feijen et al.
 2017/0361476 A1 * 12/2017 Phoon B26B 19/20
 2018/0021965 A1 * 1/2018 Phoon B26B 19/20
 30/202
 2018/0085948 A1 * 3/2018 Krauss B26B 19/048
 2018/0326602 A1 * 11/2018 Khubani B26B 19/063

FOREIGN PATENT DOCUMENTS

EP 1894685 3/2008
 EP 3450119 A1 * 3/2019 B26B 19/063
 GB 2425277 10/2006
 JP 5423065 2/1979
 JP 2003181164 7/2003
 WO WO 2007125491 11/2007
 WO WO 2009149662 12/2009
 WO WO 2013150412 10/2013

* cited by examiner

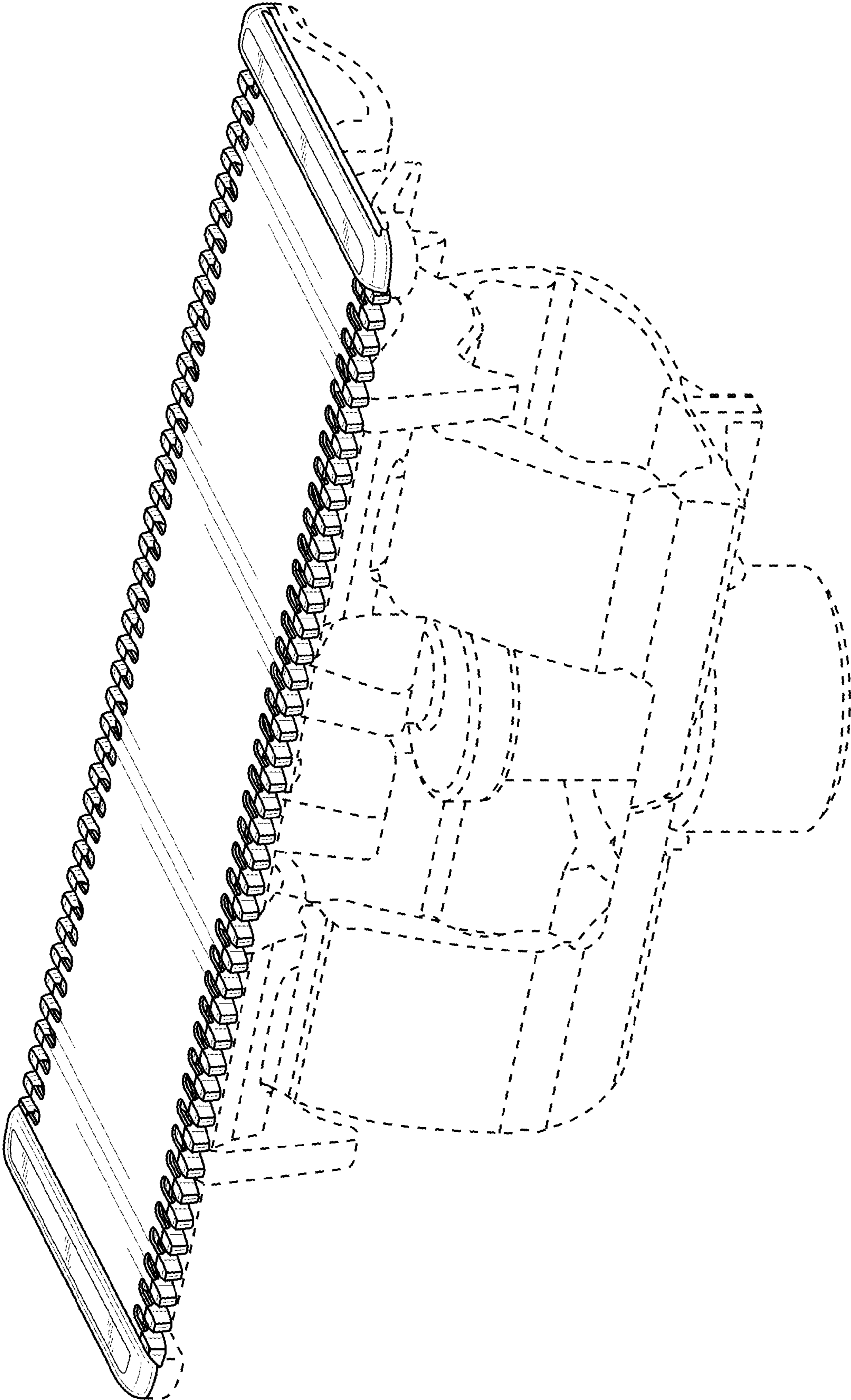


FIG. 1

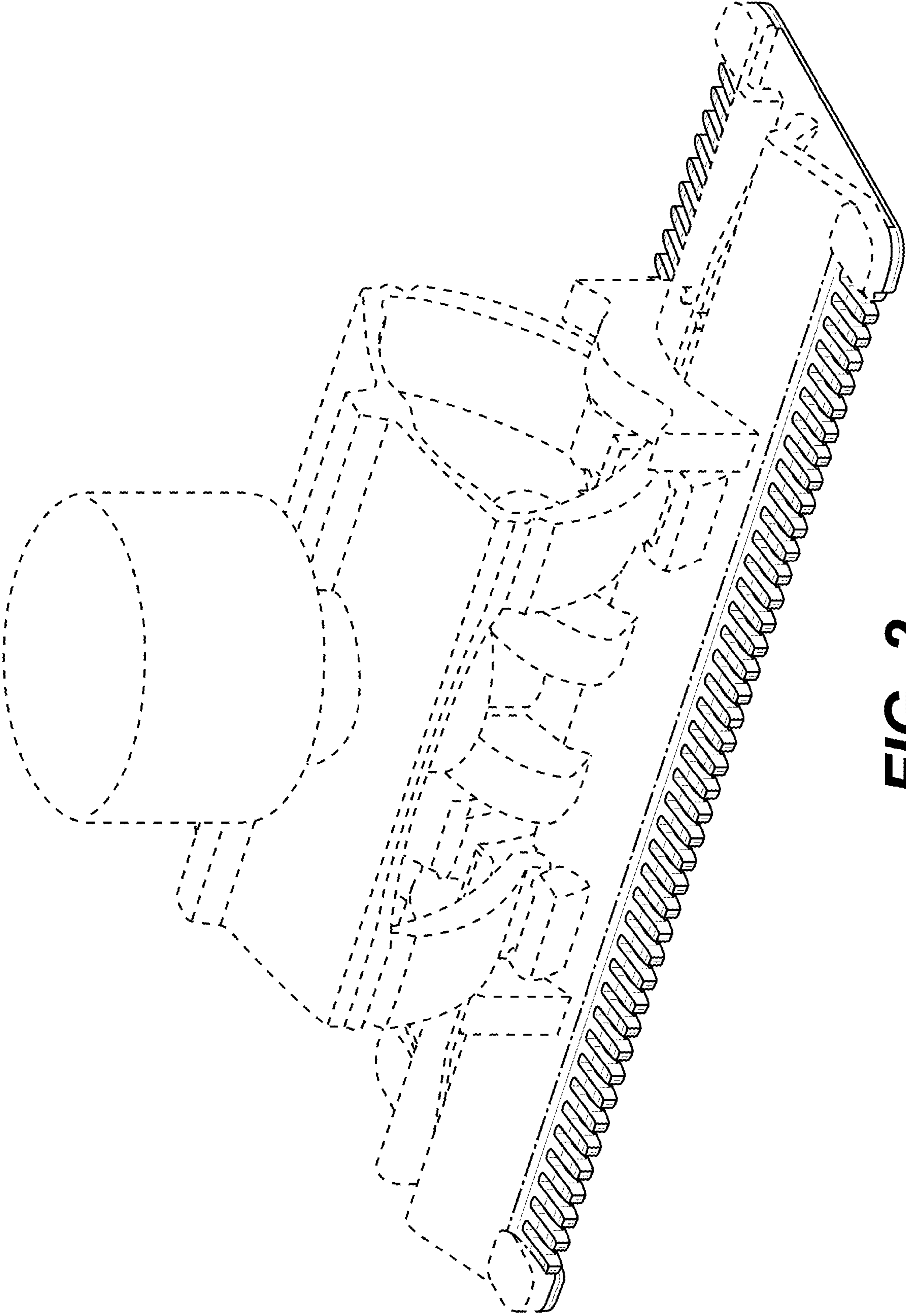


FIG. 2

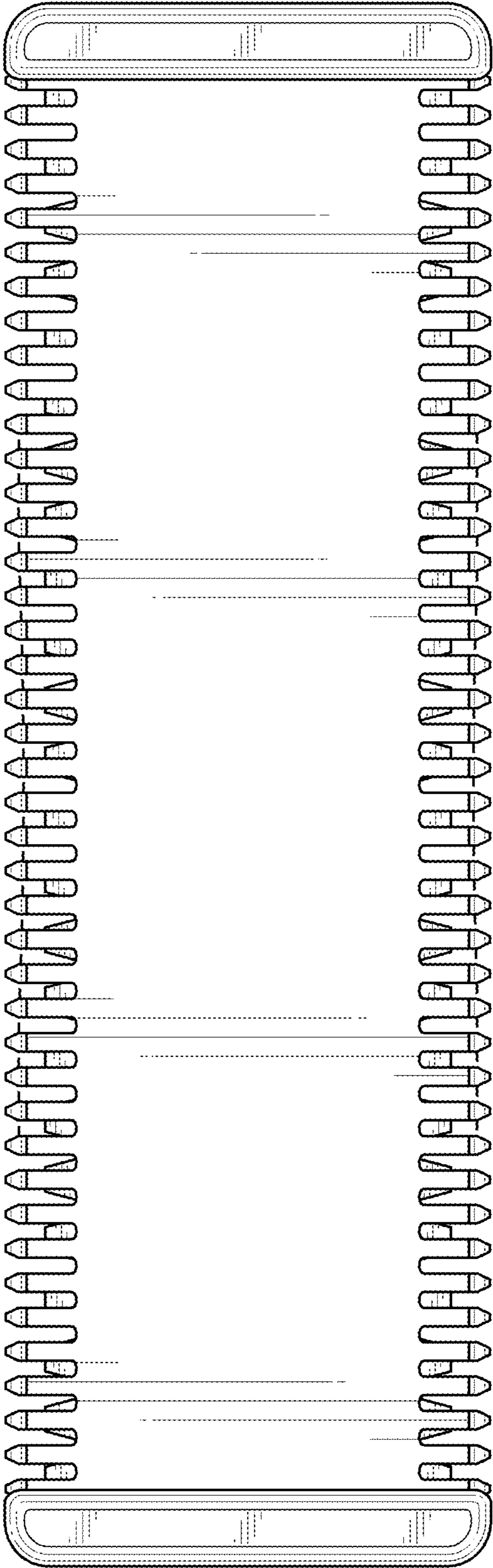


FIG. 3

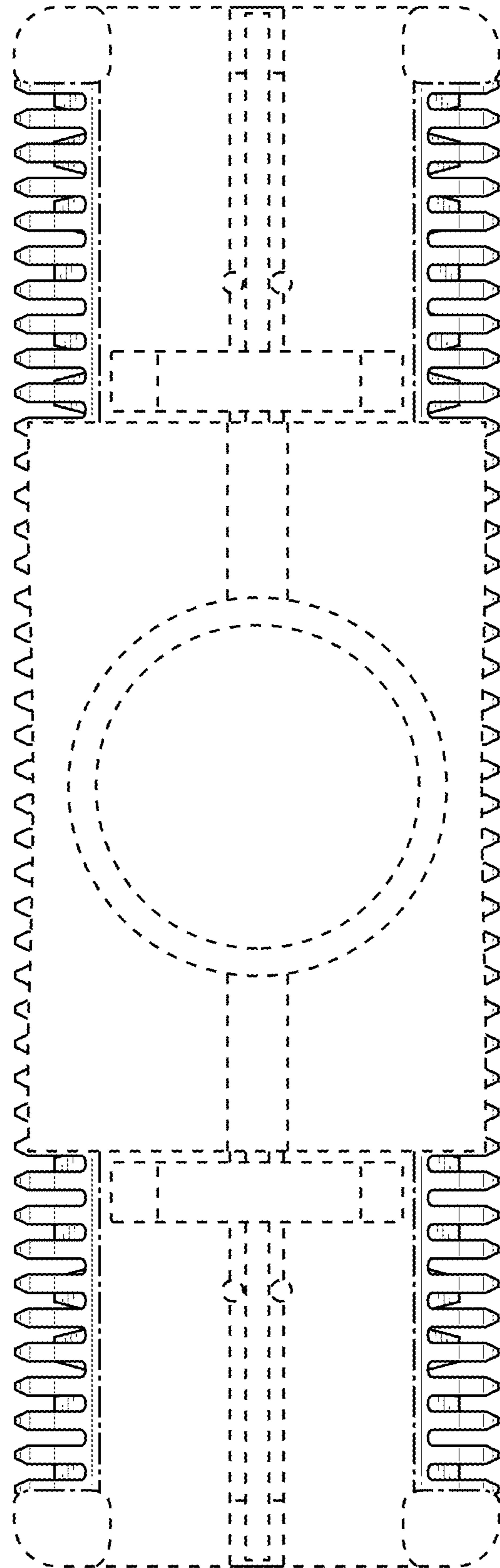


FIG. 4

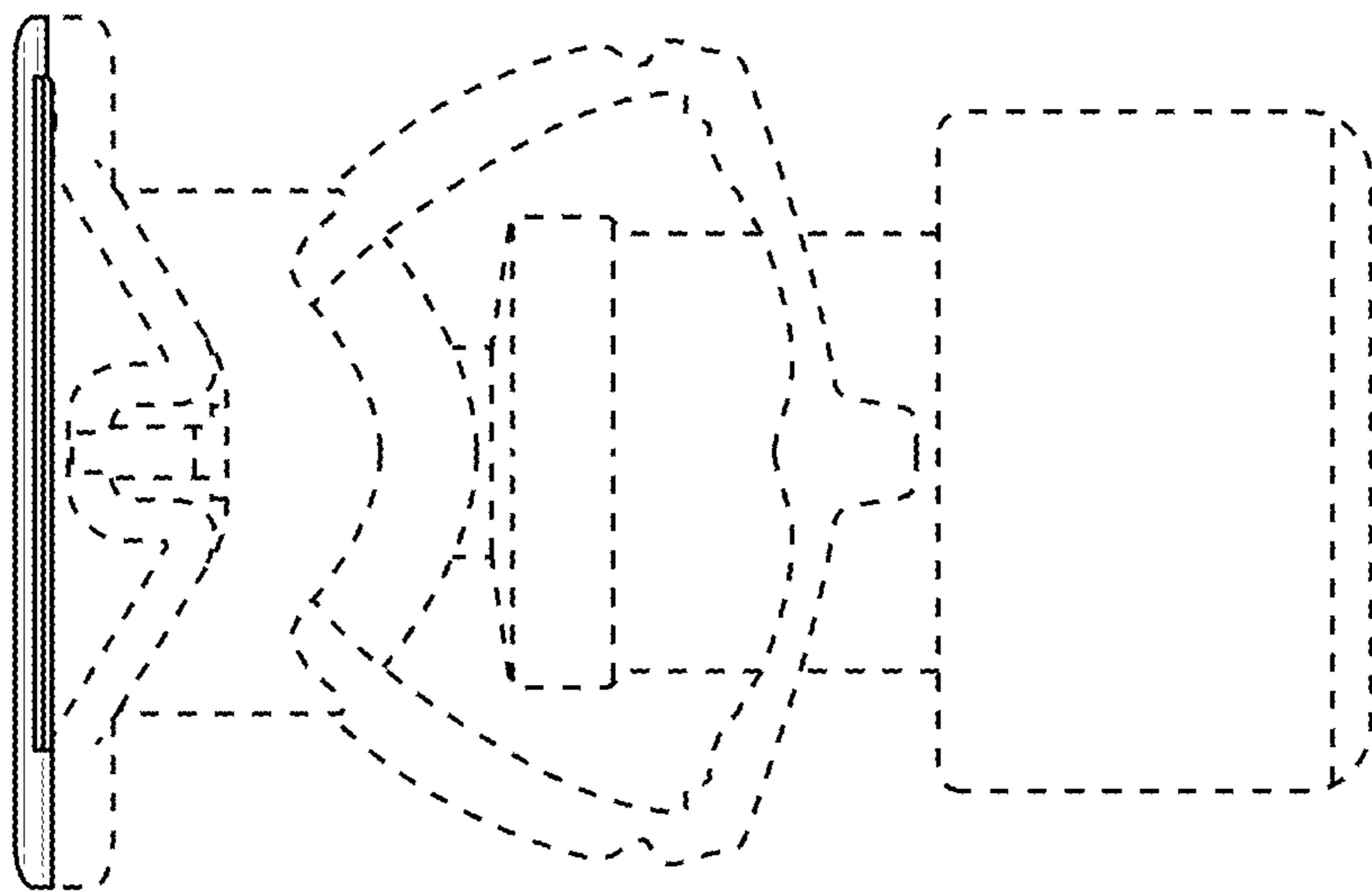


FIG. 5

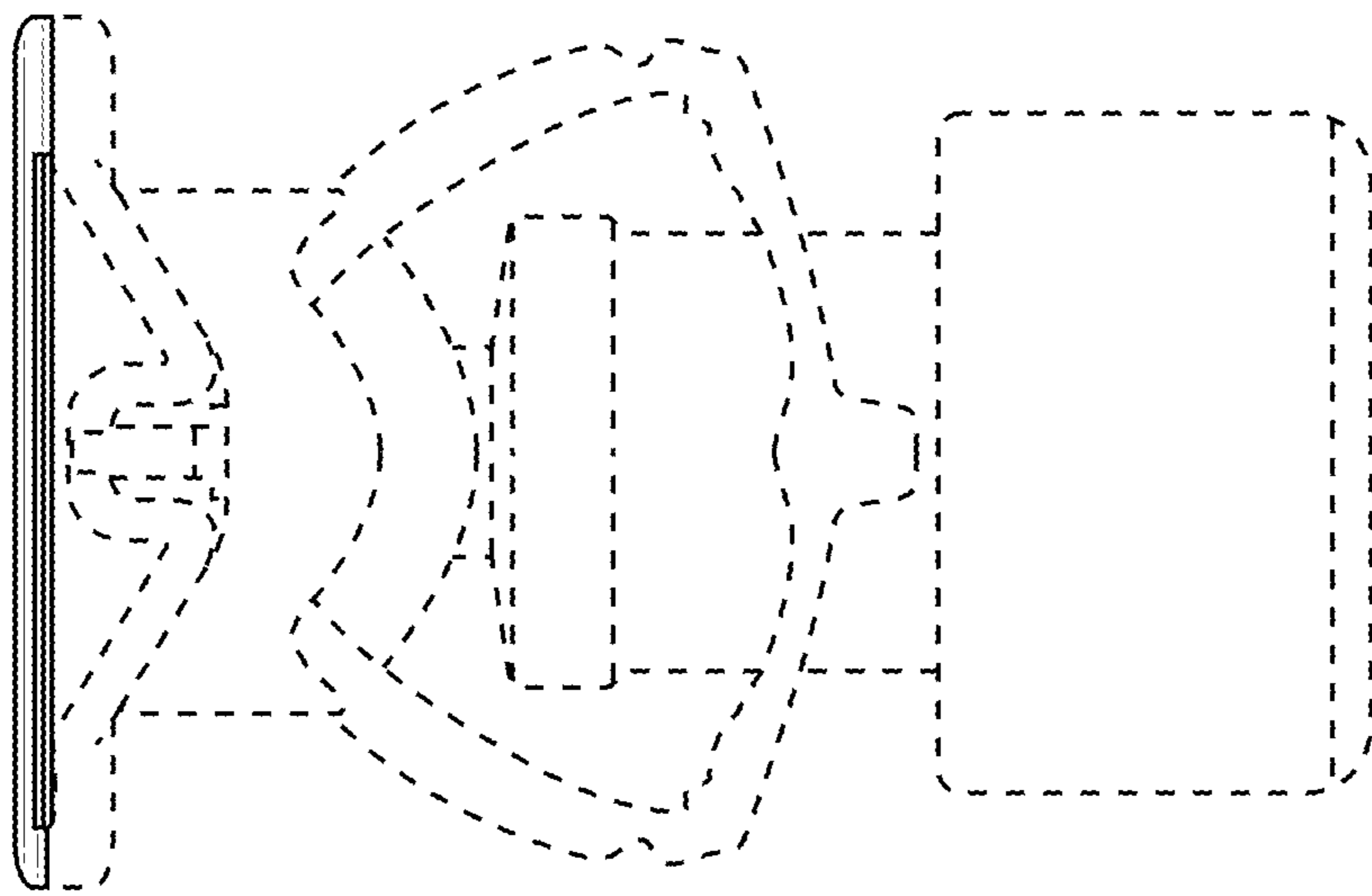


FIG. 6

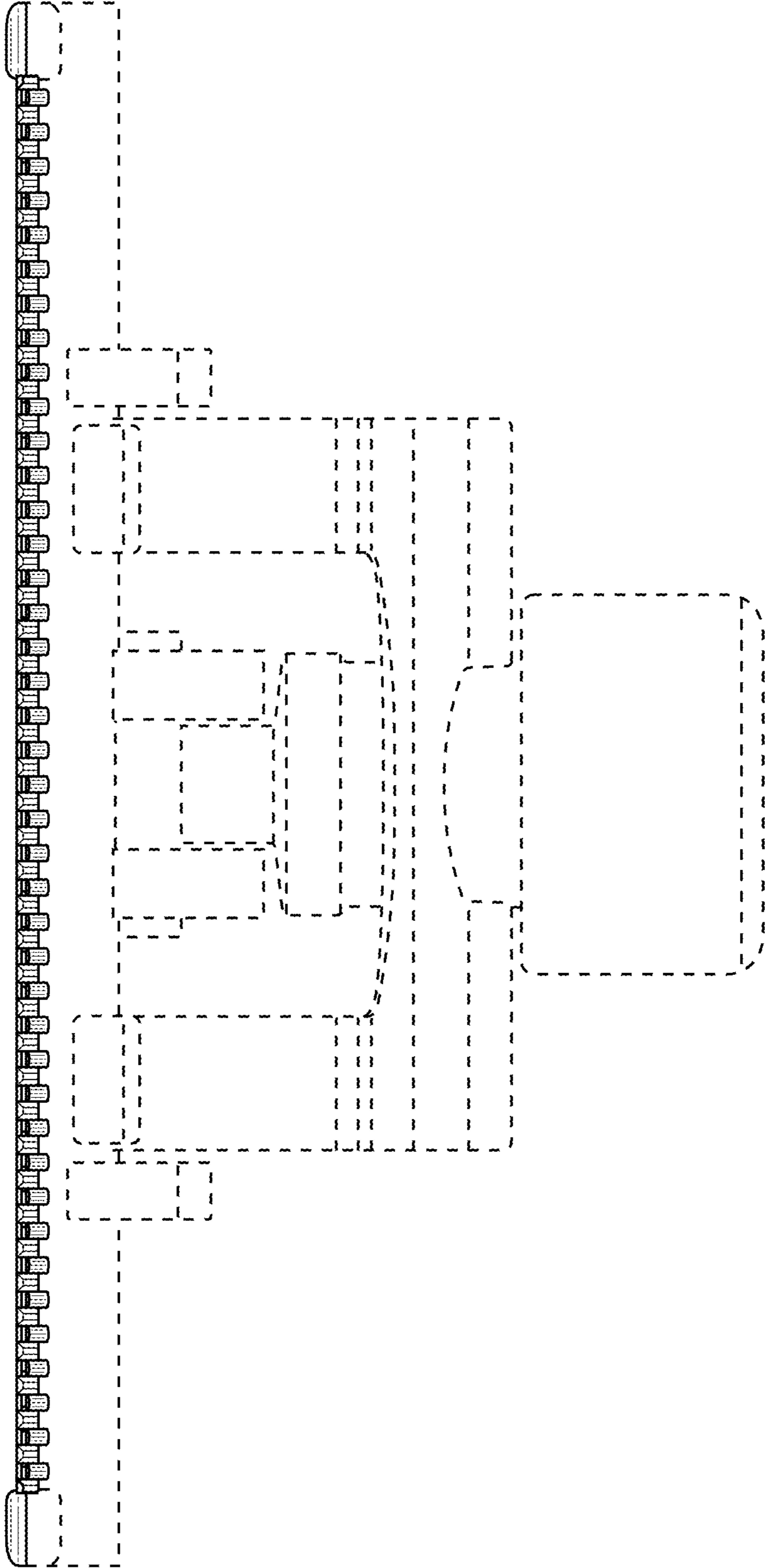


FIG. 7

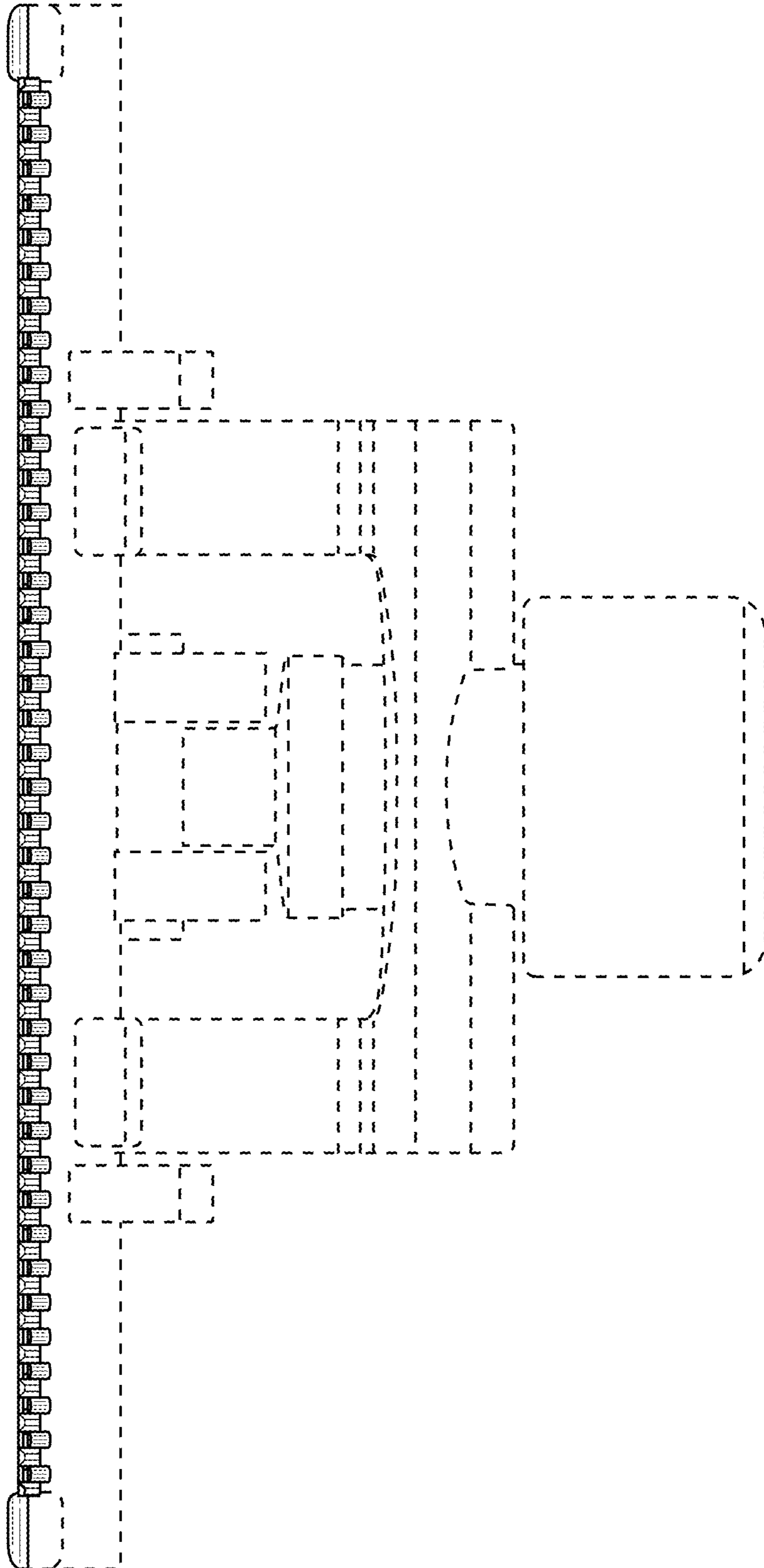


FIG. 8