



US00D870968S

(12) **United States Design Patent** (10) **Patent No.:** **US D870,968 S**
Peng (45) **Date of Patent:** **** Dec. 24, 2019**

(54) **HAIR STRAIGHTENER**
(71) Applicant: **Qian Peng**, Shenzhen (CN)
(72) Inventor: **Qian Peng**, Shenzhen (CN)
(73) Assignee: **ShenZhen Umickoo Technology company Limited**, ShenZhen (CN)
(**) Term: **15 Years**

8,232,505 B2 * 7/2012 Hottenrott A45D 1/06
132/232
D682,467 S * 5/2013 Kim D28/35
D780,374 S * 2/2017 Yu D28/35
D832,511 S * 10/2018 Chandra D28/35
D833,070 S * 11/2018 Chandra D28/35
D850,002 S * 5/2019 Bates D28/35
D854,245 S * 7/2019 Takemura D28/35
D861,985 S * 10/2019 Liao D28/35
2017/0164707 A1 * 6/2017 Cowdry H05B 3/06
2018/0177273 A1 * 6/2018 Jeong A45D 1/00

* cited by examiner

(21) Appl. No.: **29/678,232**
(22) Filed: **Jan. 27, 2019**
(51) **LOC (12) Cl.** **28-03**
(52) **U.S. Cl.**
USPC **D28/35**
(58) **Field of Classification Search**
USPC D28/10, 35, 37-38
CPC A45D 2/00; A45D 2001/045; A45D 1/16;
A45D 1/04; A45D 1/18; A45D 1/06-14;
A45D 2/02-10; A45D 2/38-42; A45D
2/001-002
See application file for complete search history.

Primary Examiner — Jennifer Rivard

(57) **CLAIM**

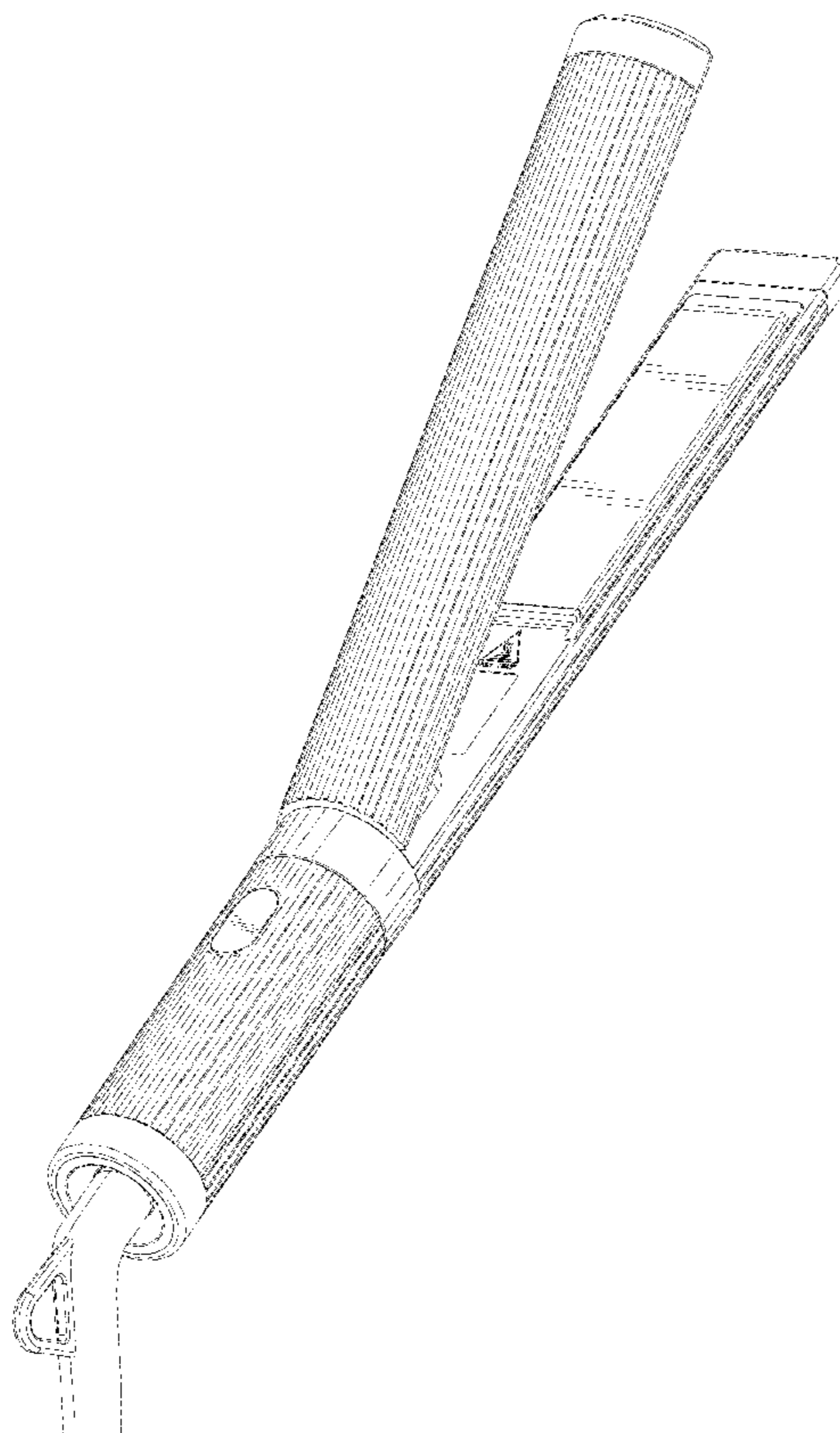
The ornamental design for a hair straightener, as shown and described.

DESCRIPTION

FIG. 1 is a rear perspective view of the hair straightener showing my new design;
FIG. 2 is a front elevational view thereof;
FIG. 3 is a rear elevational view thereof;
FIG. 4 is a left side elevational view thereof;
FIG. 5 is a right side elevational view thereof;
FIG. 6 is a top plan view thereof;
FIG. 7 is a bottom plan view thereof; and,
FIG. 8 is the perspective view, showing the hair straightener in use.

(56) **References Cited**
U.S. PATENT DOCUMENTS
D599,058 S * 8/2009 Kim D28/35
D609,401 S * 2/2010 Yang D28/35
D627,513 S * 11/2010 Kim D28/35

1 Claim, 7 Drawing Sheets



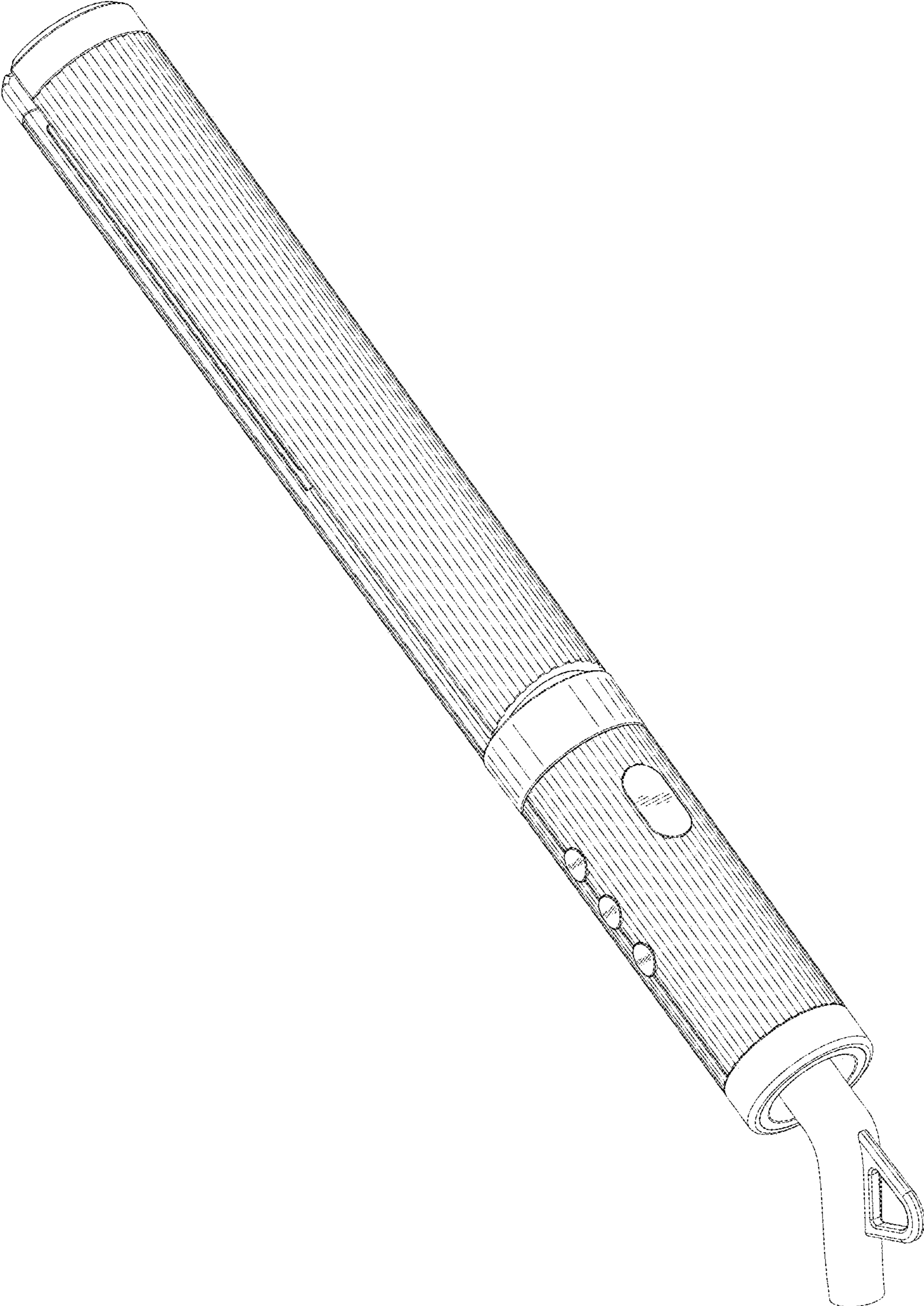


FIG. 1

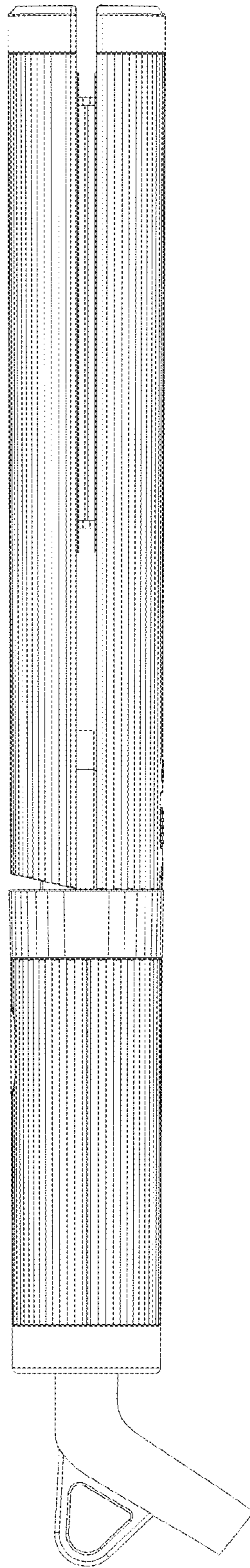


FIG.2

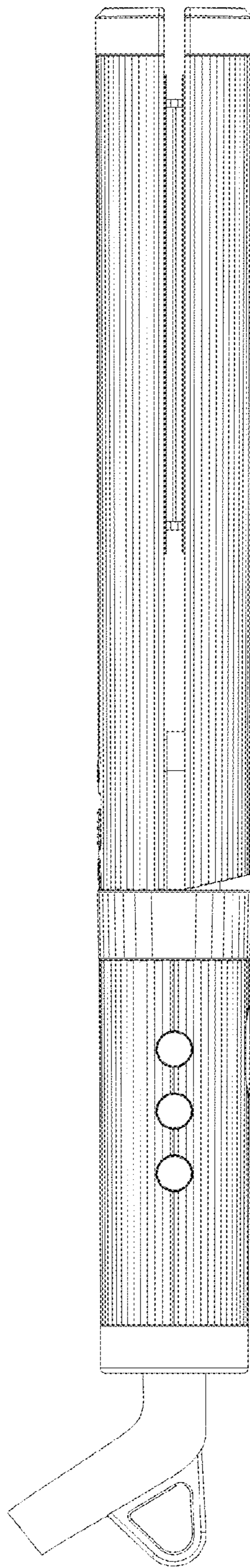


FIG.3

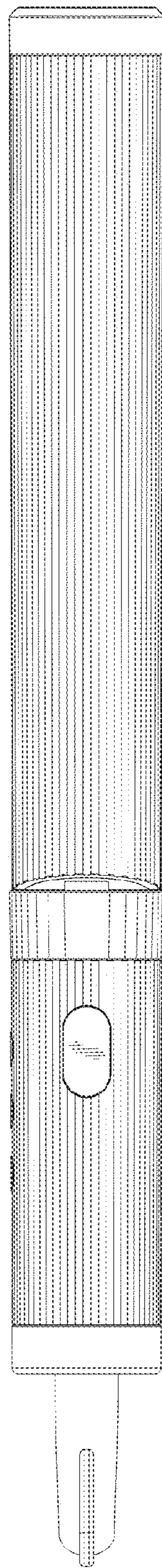


FIG.4

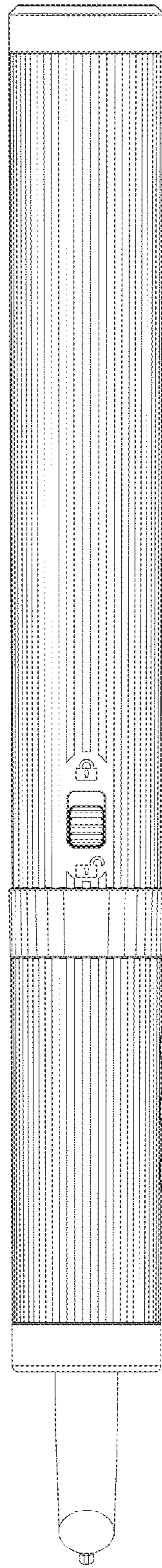


FIG.5

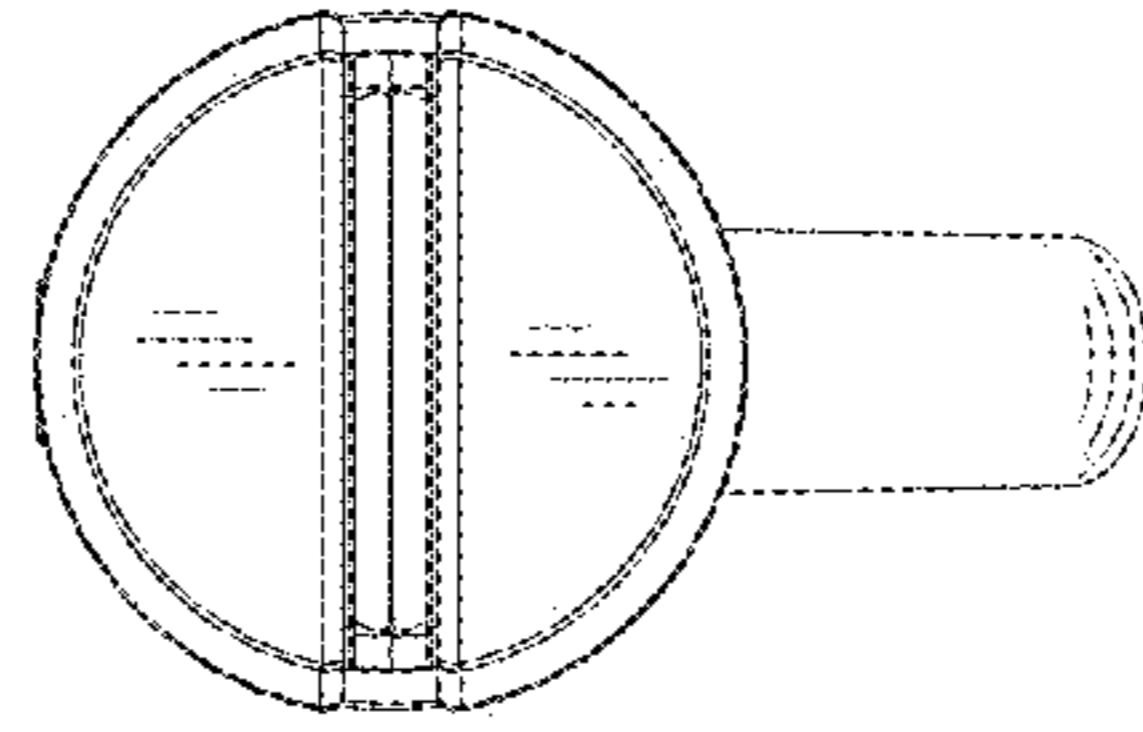


FIG. 6

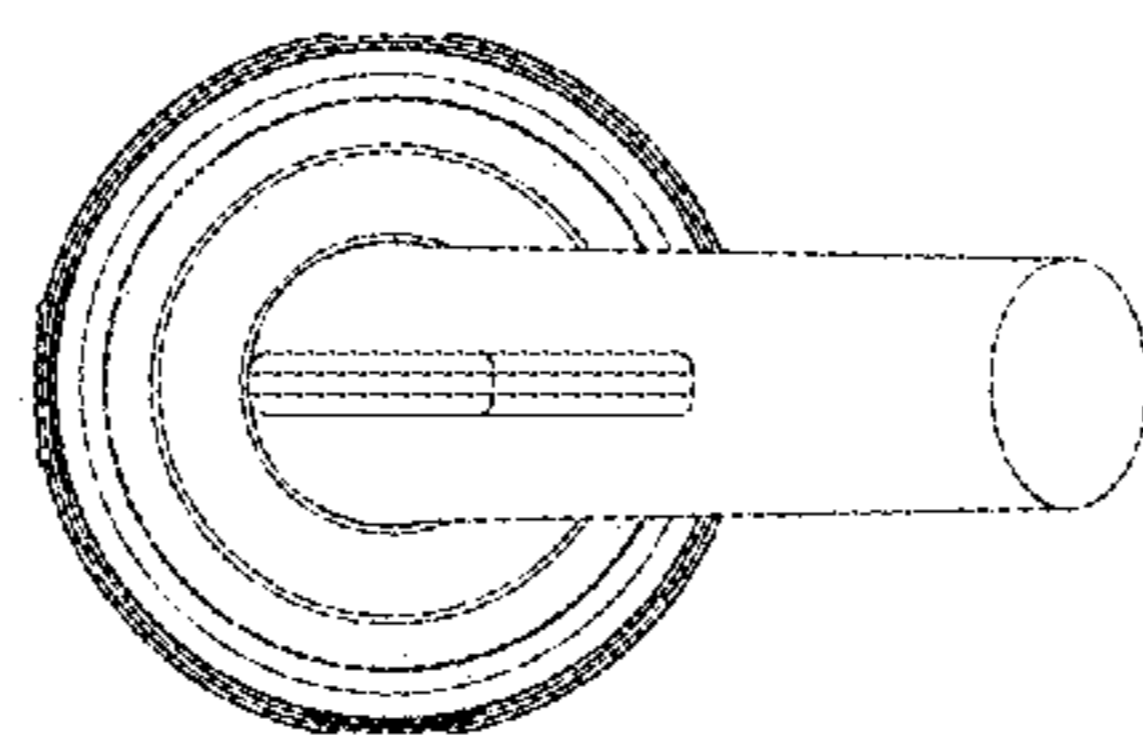


FIG. 7

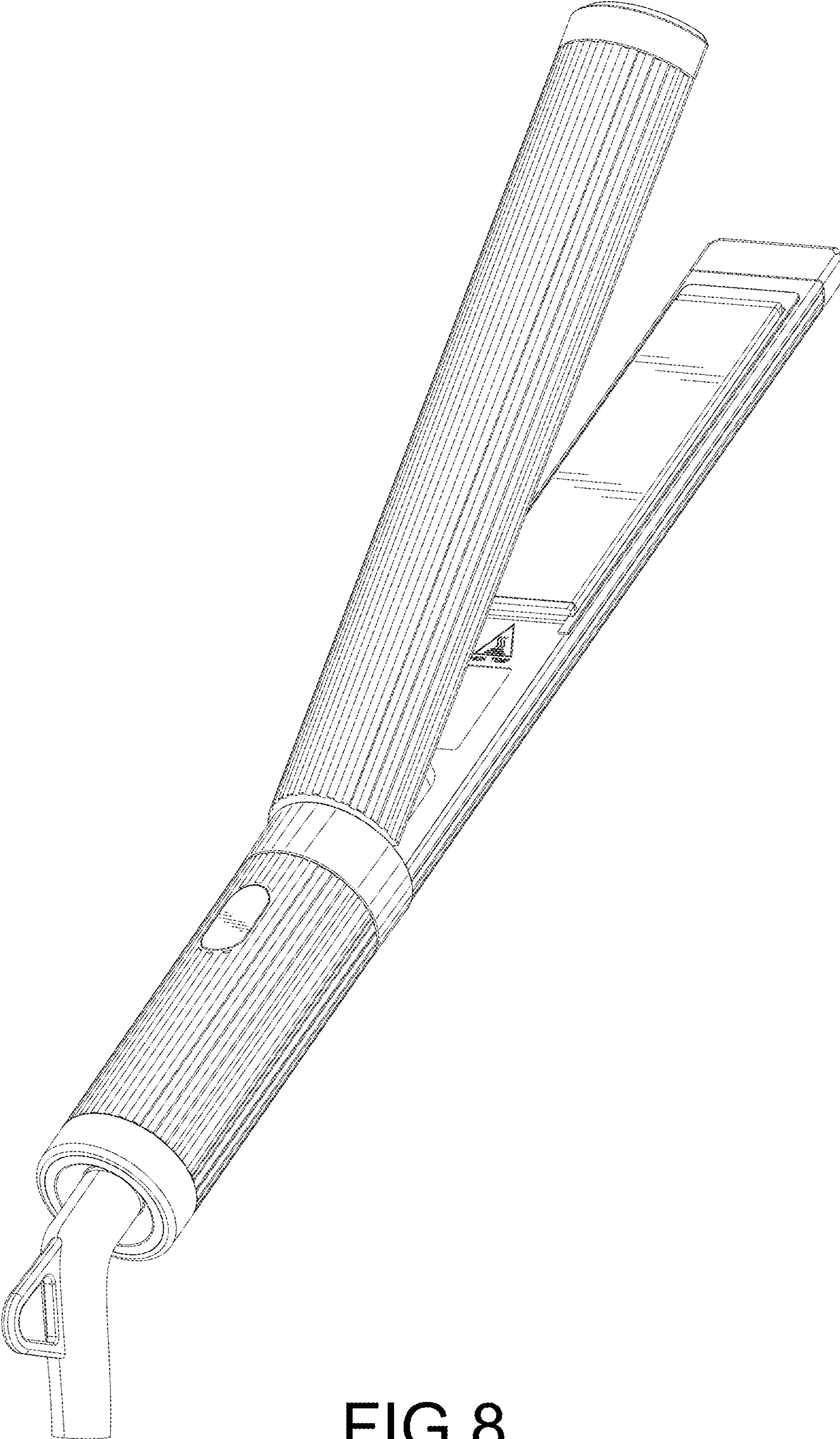


FIG.8