



US00D870967S

(12) **United States Design Patent**
Huang

(10) **Patent No.:** **US D870,967 S**

(45) **Date of Patent:** **** Dec. 24, 2019**

(54) **COMBINED HAIR STRAIGHTENING AND CURLING IRON**

(71) Applicant: **Dongguan Empress Technology Co., Ltd**, Dongguan, Guangdong (CN)

(72) Inventor: **Hali Huang**, Guangdong (CN)

(73) Assignee: **Dongguan Empress Technology Co., Ltd**, Dongguan (CN)

(**) Term: **15 Years**

(21) Appl. No.: **29/663,066**

(22) Filed: **Sep. 11, 2018**

(30) **Foreign Application Priority Data**

Apr. 8, 2018 (CN) 2018 3 0137750

(51) **LOC (12) Cl.** **28-03**

(52) **U.S. Cl.**
USPC **D28/35**

(58) **Field of Classification Search**
USPC D28/10, 35, 37-38
CPC A45D 2/00; A45D 2001/045; A45D 1/16;
A45D 1/04; A45D 1/18; A45D 1/06-14;
A45D 2/02-10; A45D 2/38-42; A45D
2/001-002

See application file for complete search history.

(56) **References Cited**

U.S. PATENT DOCUMENTS

D313,089 S * 12/1990 Schuler D28/38
D618,395 S * 6/2010 Mau D28/35

D627,924 S * 11/2010 Lee D28/35
D682,467 S * 5/2013 Kim D28/35
D698,489 S * 1/2014 Byun D28/35
D769,523 S * 10/2016 Fan D28/35
D798,503 S * 9/2017 Ceva D28/35
D825,848 S * 8/2018 Brady D28/35
D835,843 S * 12/2018 Fan D28/35
2015/0173477 A1 * 6/2015 Leung A45D 2/001
132/269

* cited by examiner

Primary Examiner — Jennifer Rivard

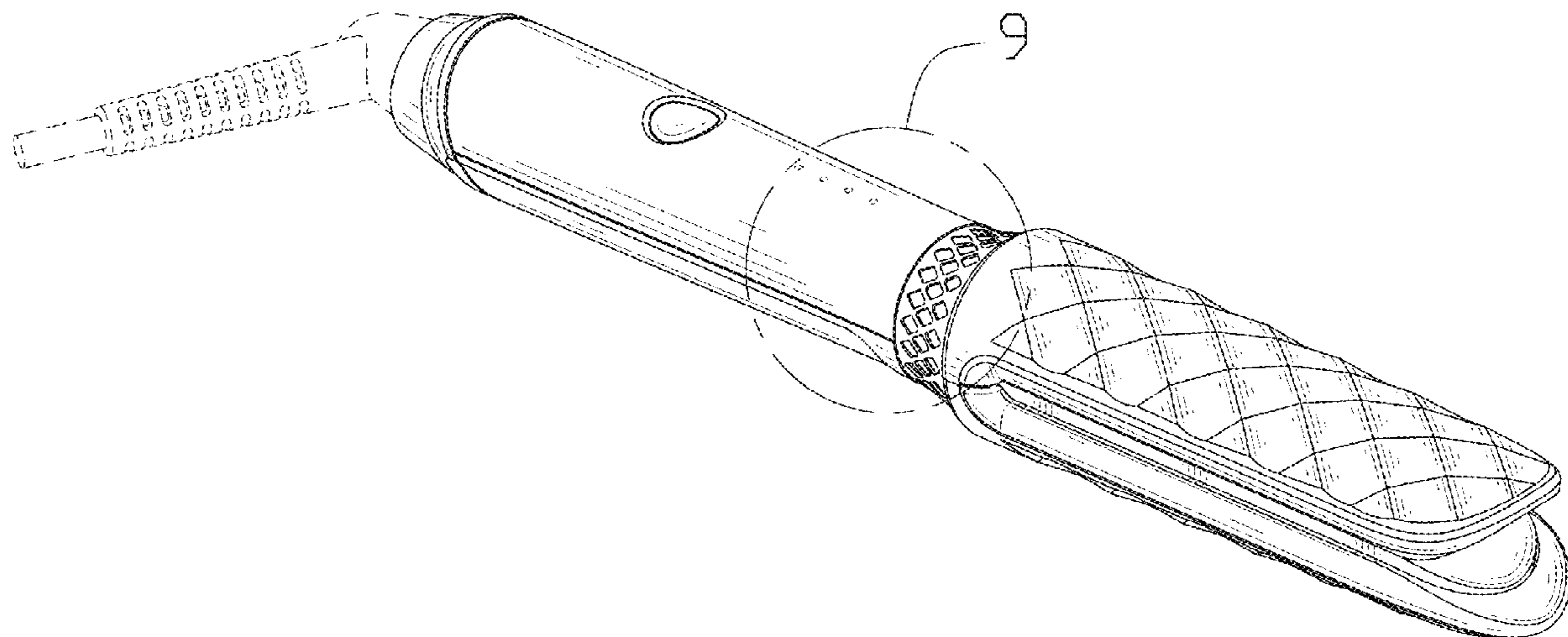
(57) **CLAIM**

The ornamental design for a combined hair straightening and curling iron, as shown and described.

DESCRIPTION

FIG. 1 is a top, front and left side perspective view of a combined hair straightening and curling iron showing my new design;
FIG. 2 is a bottom, rear and right side perspective view thereof;
FIG. 3 is a front elevational view thereof;
FIG. 4 is a rear elevational view thereof;
FIG. 5 is a left side view thereof;
FIG. 6 is a right side view thereof;
FIG. 7 is a top plan view thereof;
FIG. 8 is a bottom plan view thereof; and,
FIG. 9 is an enlarged view of portion 9 in FIG. 1.
The broken lines in the drawings illustrate portions of the combined hair straightening and curling iron which form no part of the claimed design.

1 Claim, 9 Drawing Sheets



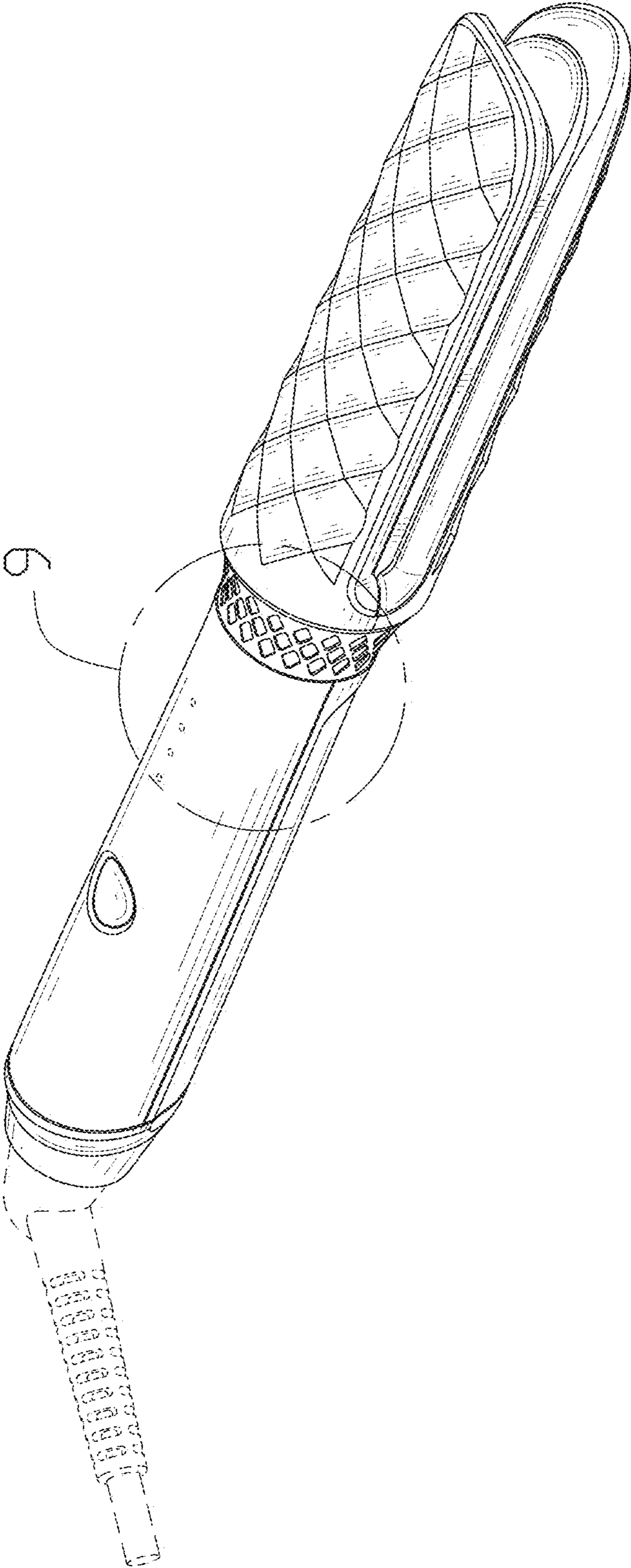


FIG. 1

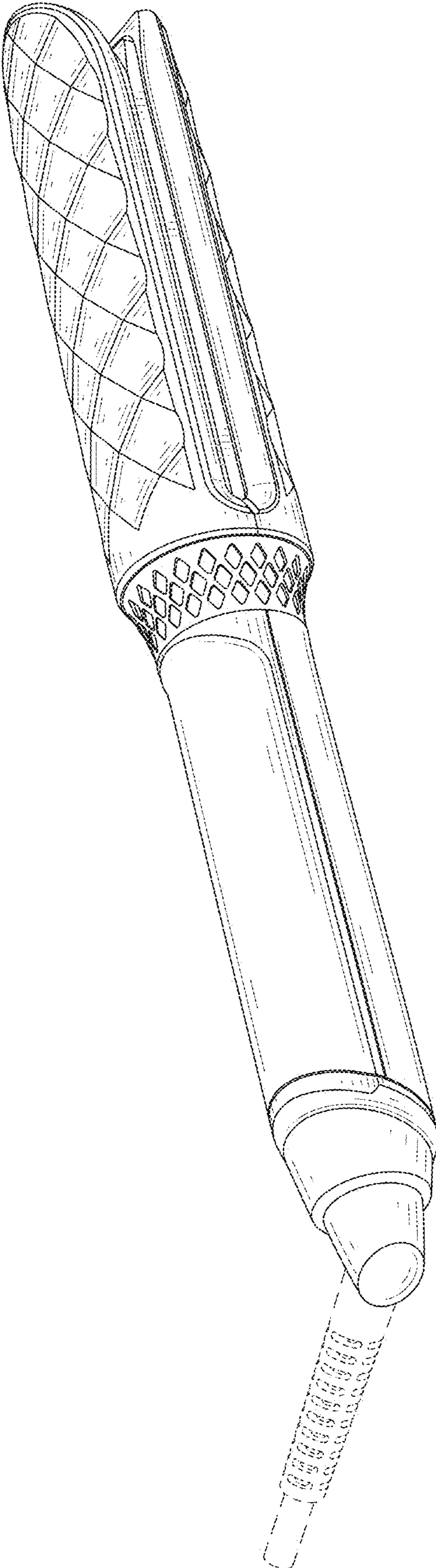


FIG. 2

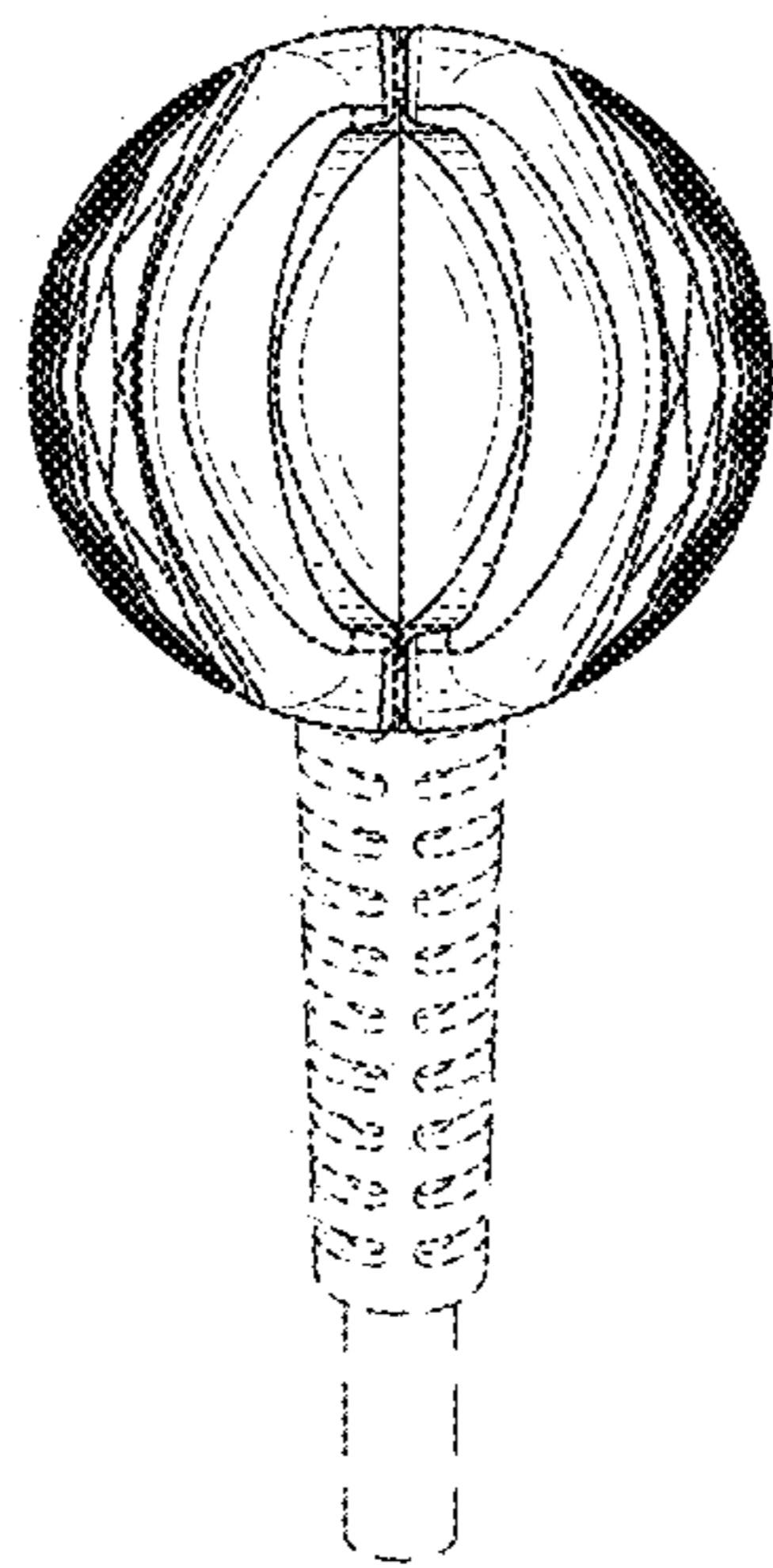


FIG. 3

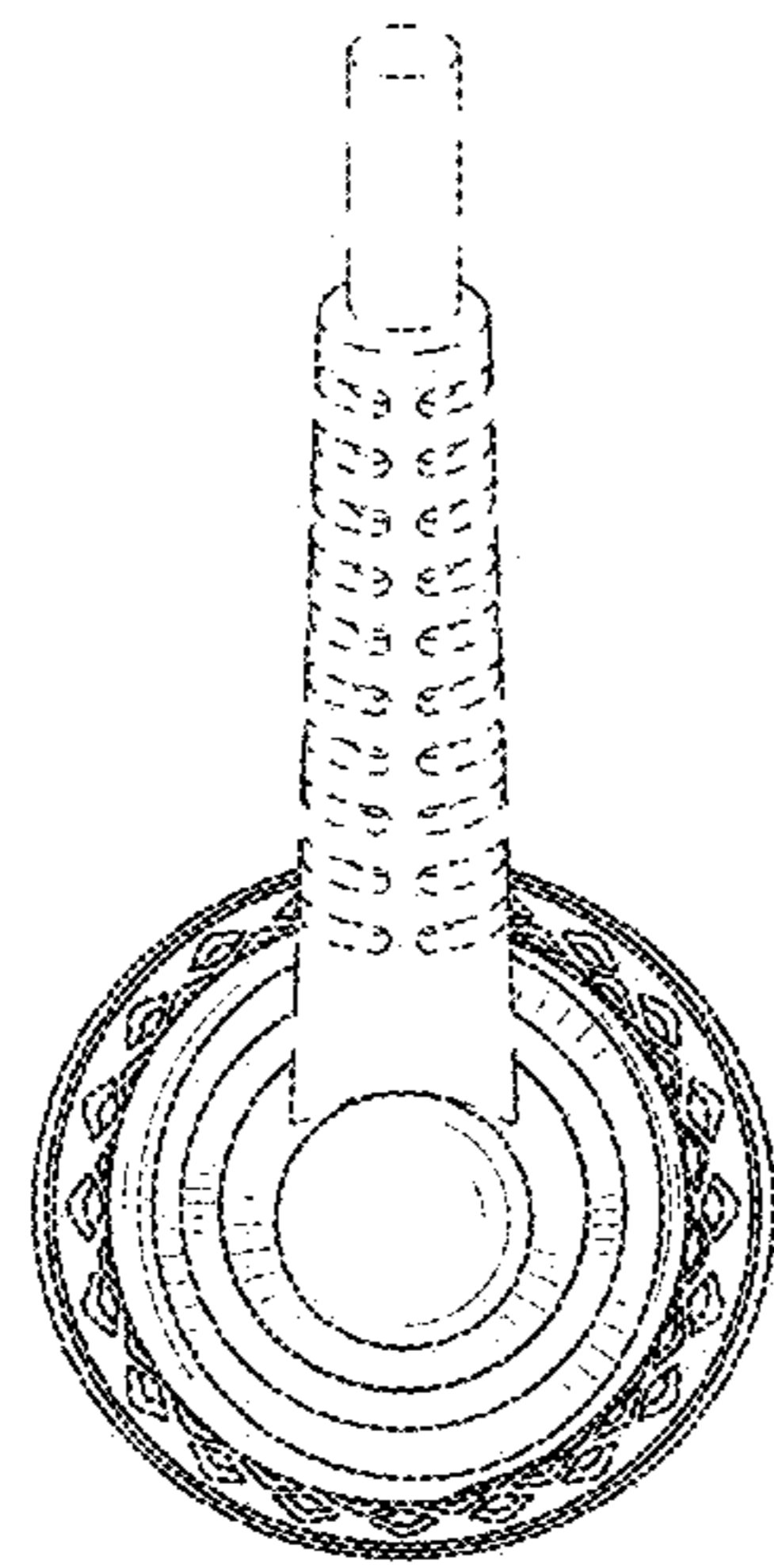


FIG. 4

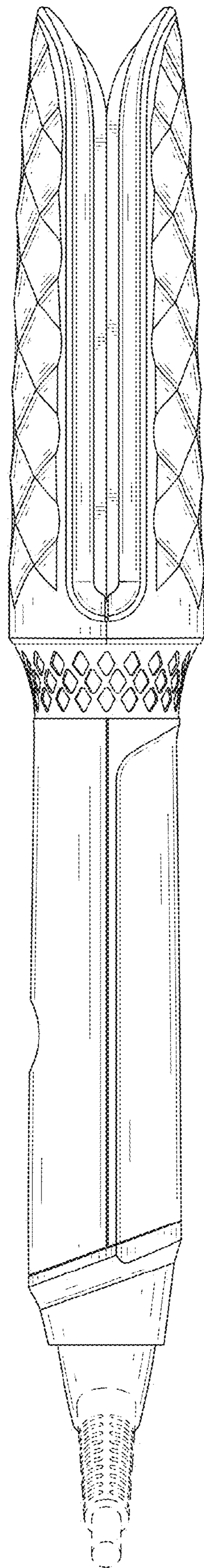


FIG. 5

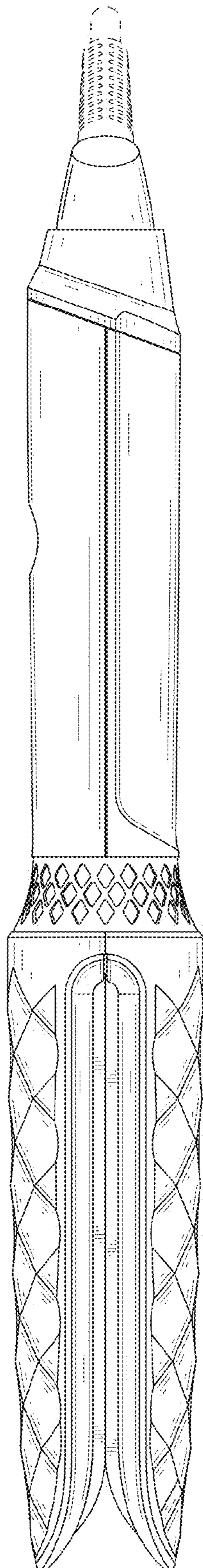


FIG. 6

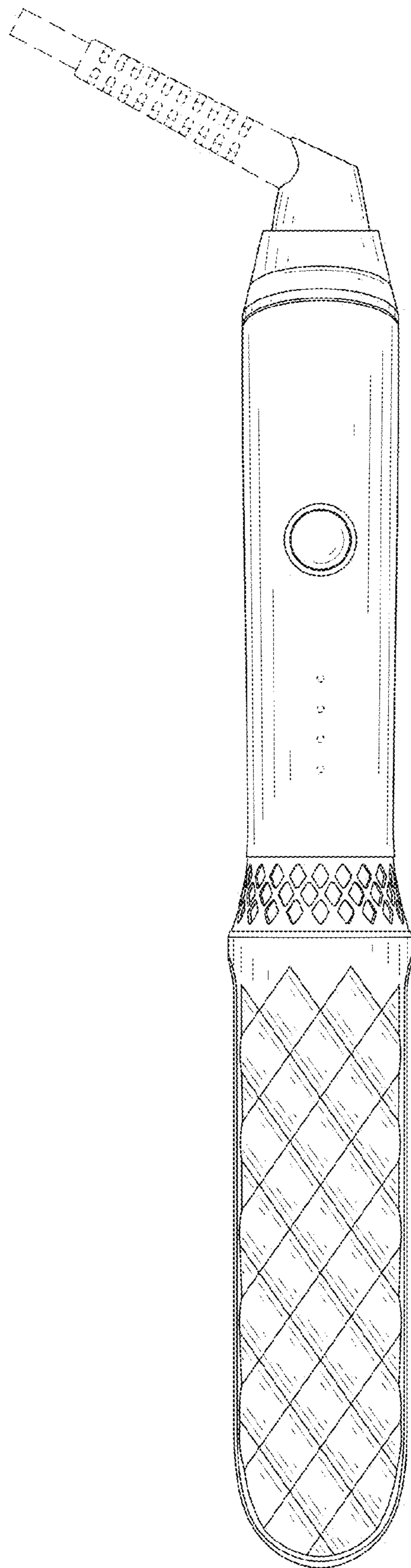


FIG. 7

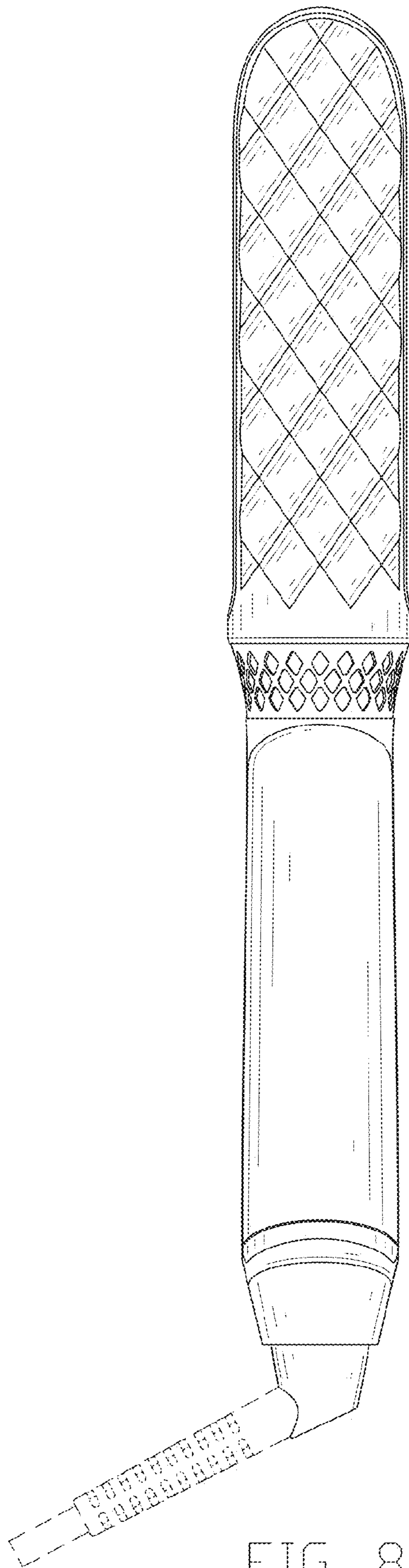


FIG. 8

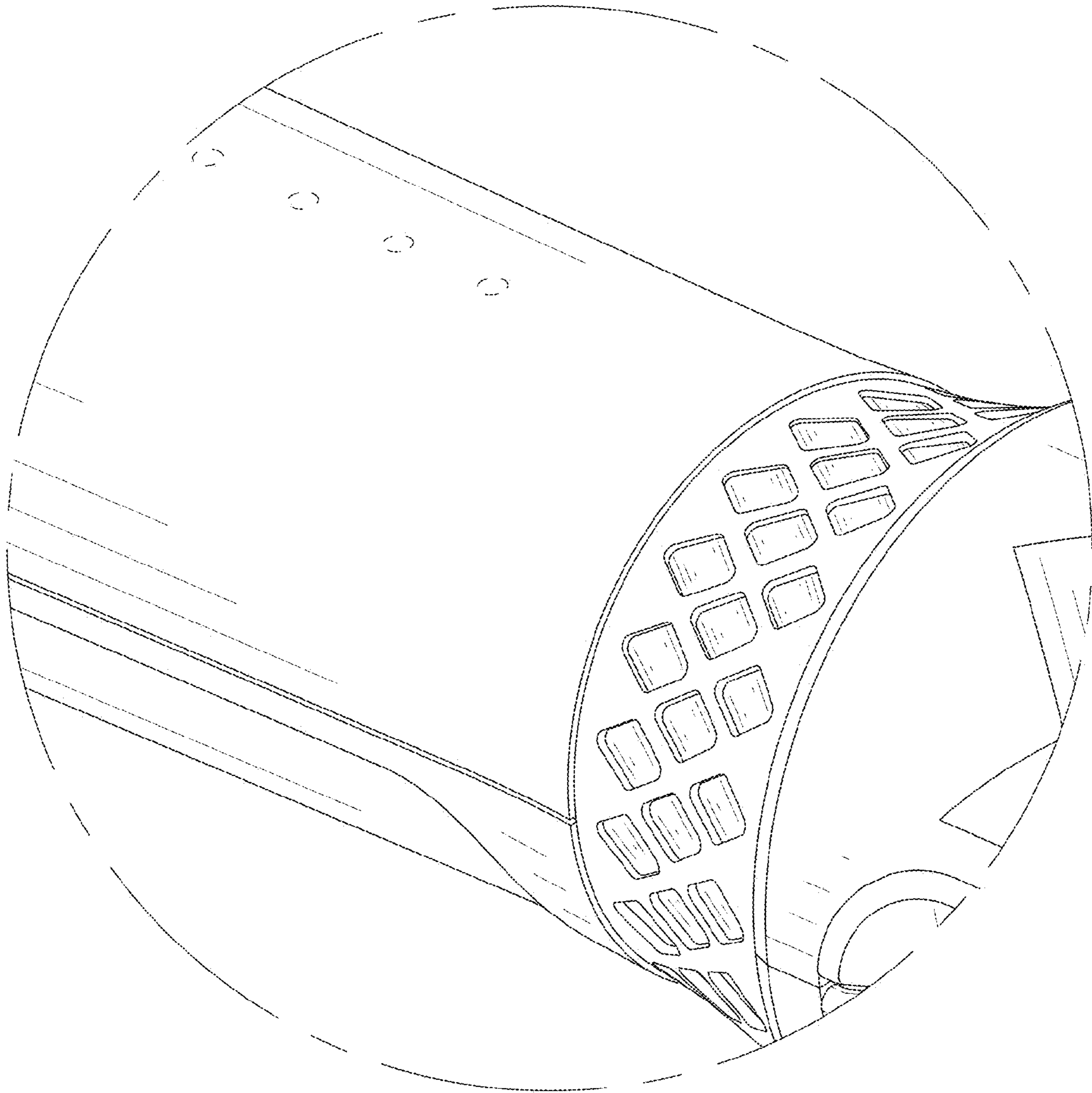


FIG. 9