



US00D870965S

(12) **United States Design Patent** (10) **Patent No.:** **US D870,965 S**  
**Olivier** (45) **Date of Patent:** **\*\* Dec. 24, 2019**

(54) **GROUND MATERIAL GRASPING DEVICE**  
(71) Applicant: **Lawrence W. Olivier**, Ashland, NH (US)  
(72) Inventor: **Lawrence W. Olivier**, Ashland, NH (US)  
(\*\*) Term: **15 Years**  
(21) Appl. No.: **29/663,265**  
(22) Filed: **Sep. 13, 2018**  
(51) **LOC (12) Cl.** ..... **27-99**  
(52) **U.S. Cl.**  
USPC ..... **D27/194; D8/10**  
(58) **Field of Classification Search**  
USPC ..... D8/1, 3, 4, 10; D27/101, 102, 137, 138, D27/167, 193, 194, 172, 180, 183, 184, D27/186; D7/669, 368, 691, 688; D32/74  
CPC .... A24C 5/02; A24C 5/42; A24C 5/40; A24F 1/26; A24F 9/00; A24F 9/02; A24F 9/04; A24F 9/08; A24F 9/10; A24F 17/00; A24F 23/04; A24F 2700/00; A24F 2700/08  
See application file for complete search history.

D239,723 S \* 4/1976 Martin ..... D27/102  
D243,509 S \* 3/1977 Wheeler ..... D8/1  
D258,559 S \* 3/1981 Viel, III ..... D8/1  
4,444,211 A \* 4/1984 MacDonald ..... A24F 9/10  
131/246  
D274,562 S \* 7/1984 Veal ..... D27/196  
D311,308 S \* 10/1990 Roman ..... D8/1  
D321,631 S \* 11/1991 Shaw ..... D30/162  
D326,212 S \* 5/1992 Mingrino ..... D8/10  
D361,403 S \* 8/1995 Yarbrough ..... D27/194  
D368,997 S \* 4/1996 Tucker  
D385,759 S \* 11/1997 Mathis ..... D8/1  
D394,989 S \* 6/1998 Block ..... D7/700  
5,758,668 A \* 6/1998 Beaver ..... A24F 9/02  
131/246  
D427,031 S \* 6/2000 Winchester ..... D8/10  
D428,314 S \* 7/2000 St. Jeor ..... D8/10  
6,129,398 A 10/2000 Calhoun  
D501,046 S \* 1/2005 Ray ..... D24/116  
D545,492 S \* 6/2007 Schoening ..... D27/184  
D550,898 S \* 9/2007 Burkholder ..... D27/183

(Continued)

*Primary Examiner* — Sheryl Lane  
*Assistant Examiner* — Ieisha N Price  
(74) *Attorney, Agent, or Firm* — Cramer Patent & Design, PLLC; Aaron R. Cramer

(57) **CLAIM**

The ornamental design for a ground material grasping device, as shown and described.

(56) **References Cited**

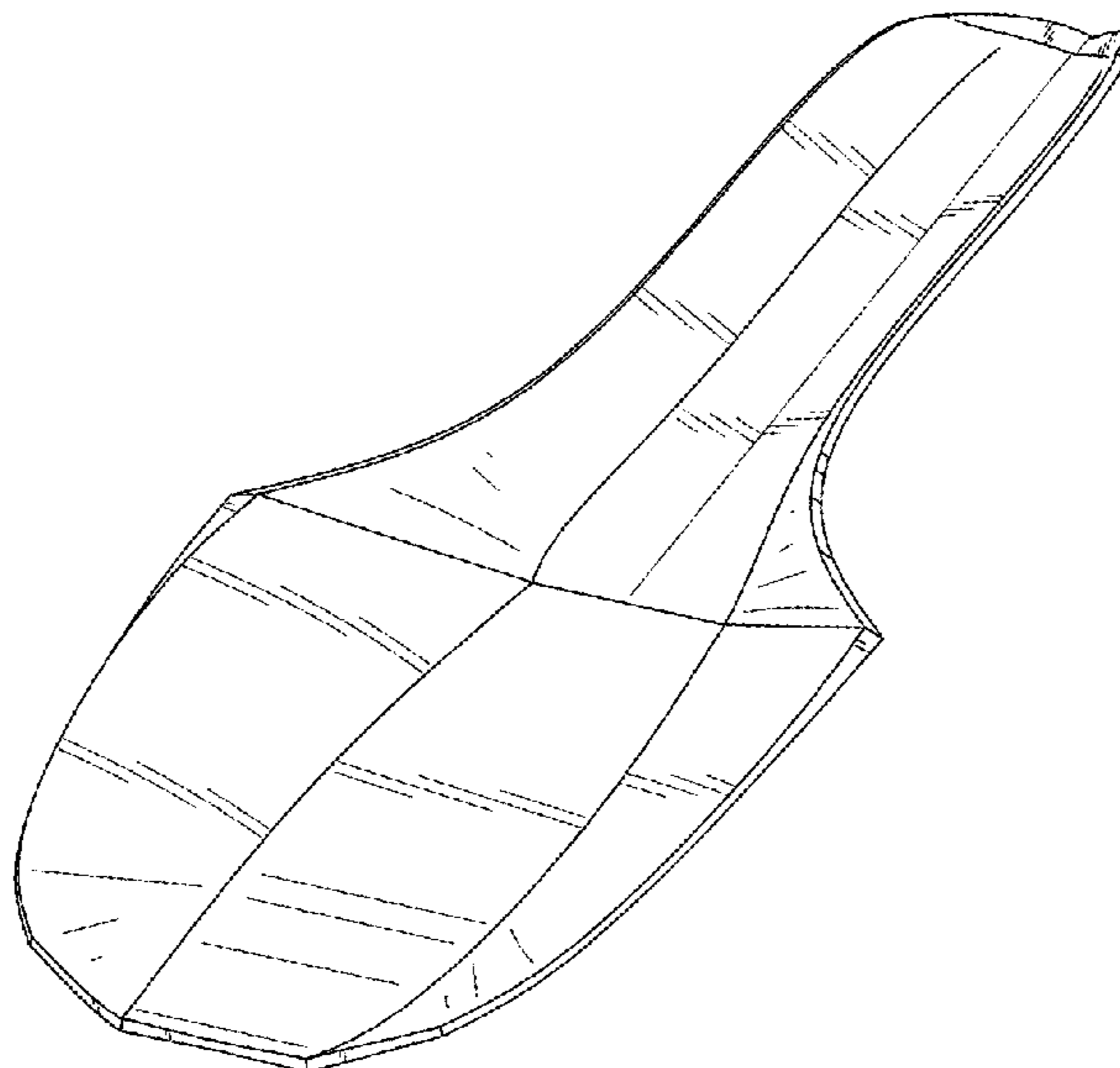
U.S. PATENT DOCUMENTS

D32,387 S 3/1900 Baird  
952,313 A \* 3/1910 Droz ..... B67C 11/02  
141/98  
1,515,000 A 11/1924 Thompson  
2,136,565 A \* 11/1938 Roberts, Jr. .... A24F 9/10  
131/246  
D162,683 S \* 3/1951 Ono ..... D7/693  
3,110,316 A \* 11/1963 Graff ..... A24F 9/10  
131/246  
3,283,764 A \* 11/1966 Laufer ..... A24F 9/04  
131/243

**DESCRIPTION**

FIG. 1 is a top front right perspective view of a ground material grasping device, showing my new design;  
FIG. 2 is a top rear left perspective view thereof;  
FIG. 3 is a front elevation view thereof;  
FIG. 4 is a rear elevation view thereof;  
FIG. 5 is a right elevation view thereof;  
FIG. 6 is a left elevation view thereof;  
FIG. 7 is a top plan view thereof; and,  
FIG. 8 is a bottom plan view thereof.

**1 Claim, 6 Drawing Sheets**



(56)

**References Cited**

U.S. PATENT DOCUMENTS

D587,974 S \* 3/2009 Bagen ..... D8/10  
D620,768 S \* 8/2010 Jossem ..... D7/688  
7,823,500 B2 11/2010 Yeghiayan et al.  
D684,441 S \* 6/2013 Baker ..... D8/10  
D718,993 S 12/2014 Mak  
D738,171 S \* 9/2015 Masalin ..... D8/10  
D749,291 S 2/2016 Toufayan  
D752,306 S \* 3/2016 Mak ..... D32/74  
D754,921 S 4/2016 Chaisty  
D772,660 S \* 11/2016 Huang ..... D7/691  
D776,206 S \* 1/2017 Bajuyo ..... D21/532  
D802,036 S \* 11/2017 Kesselman ..... D15/145  
D819,290 S \* 5/2018 Mak ..... D32/74  
D846,959 S \* 4/2019 Mott ..... D7/691  
2016/0262448 A1 9/2016 Zeitlin  
2017/0215479 A1 8/2017 Kies  
2018/0064165 A1 3/2018 Mott et al.

\* cited by examiner

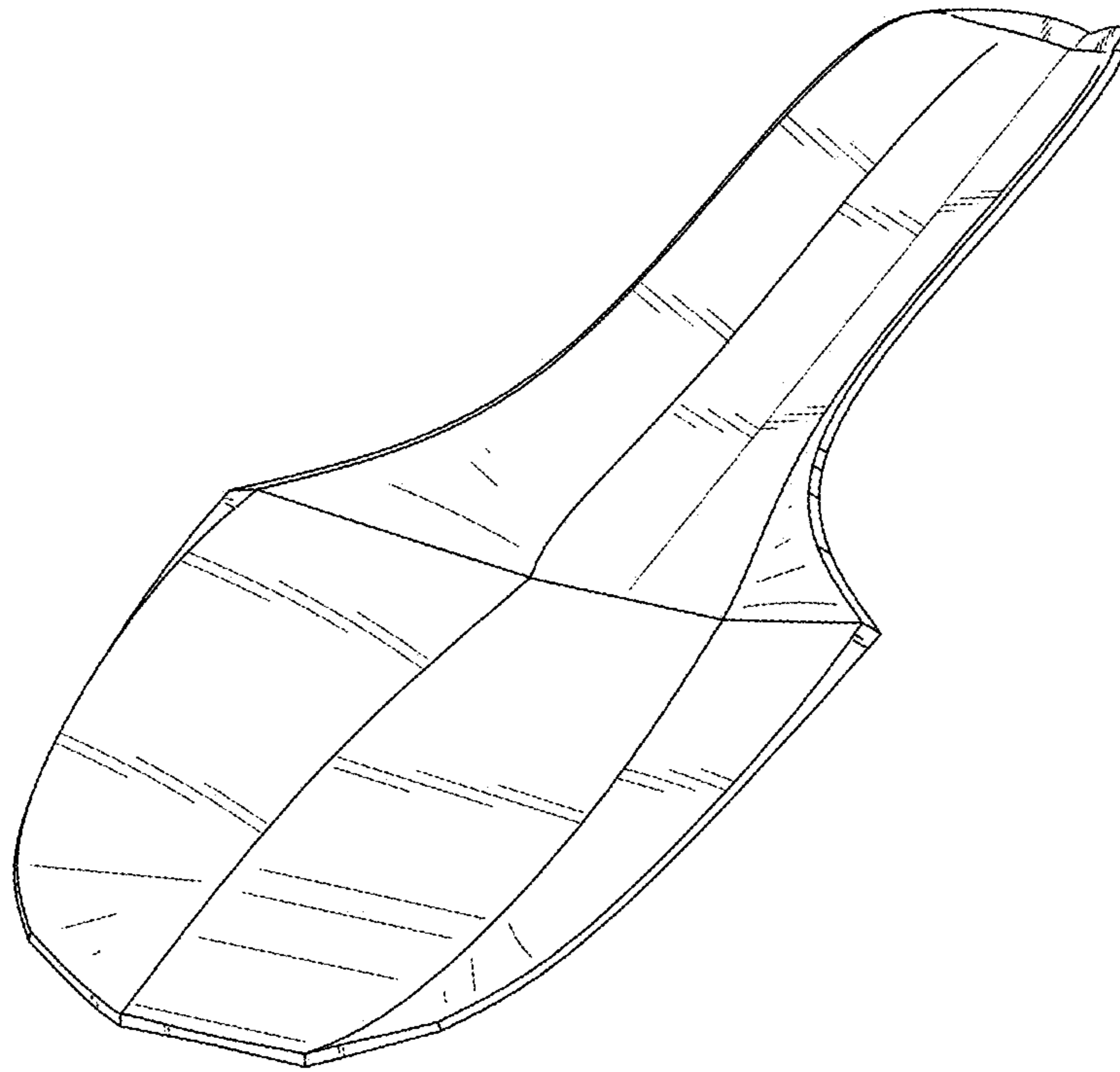


FIG. 1

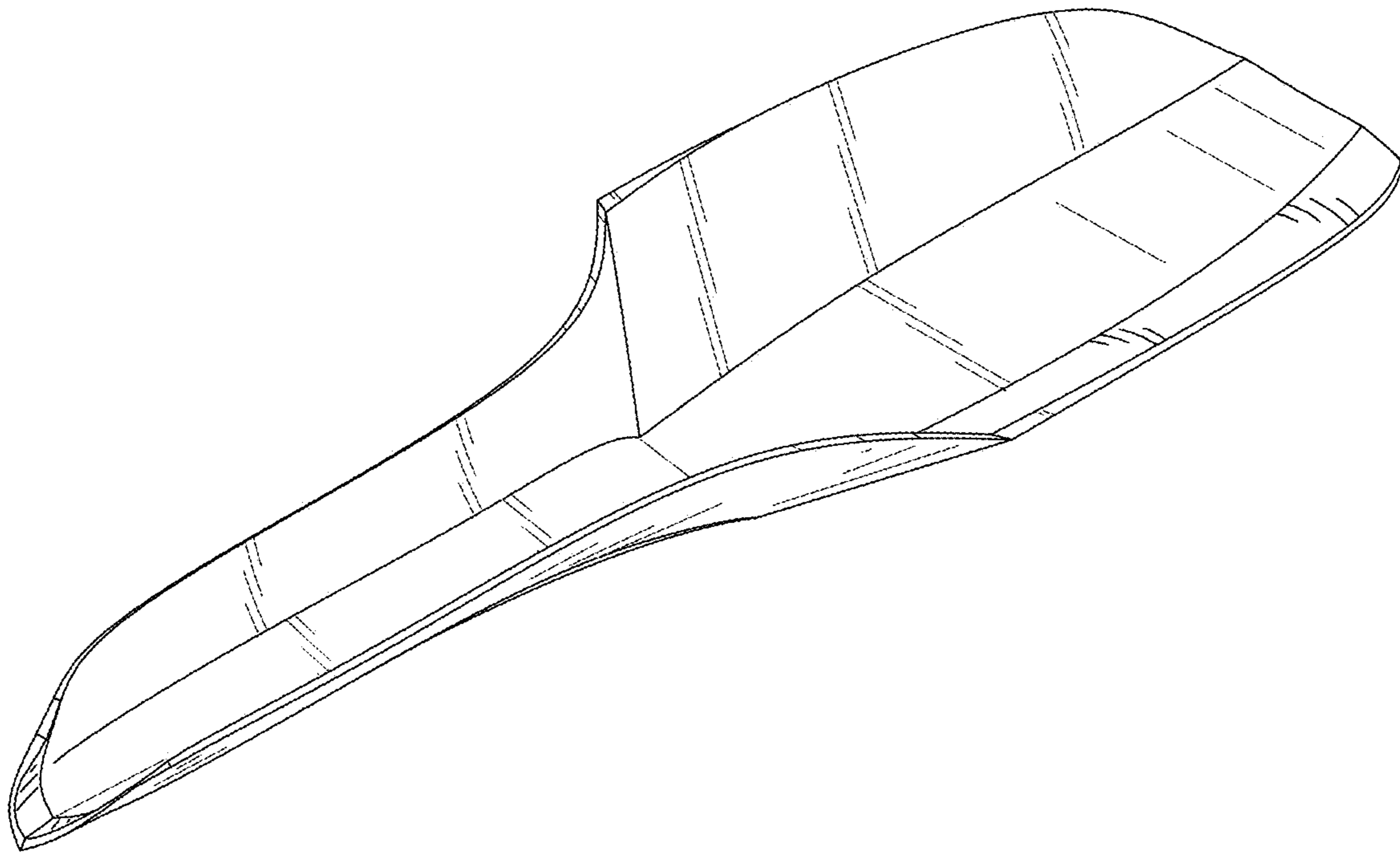


FIG. 2

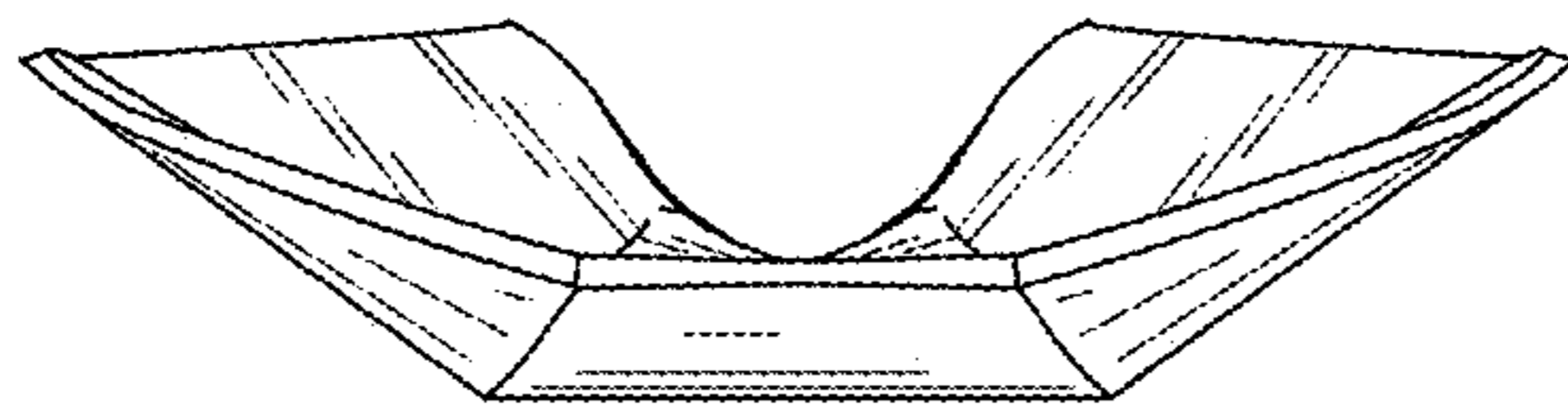


FIG. 3

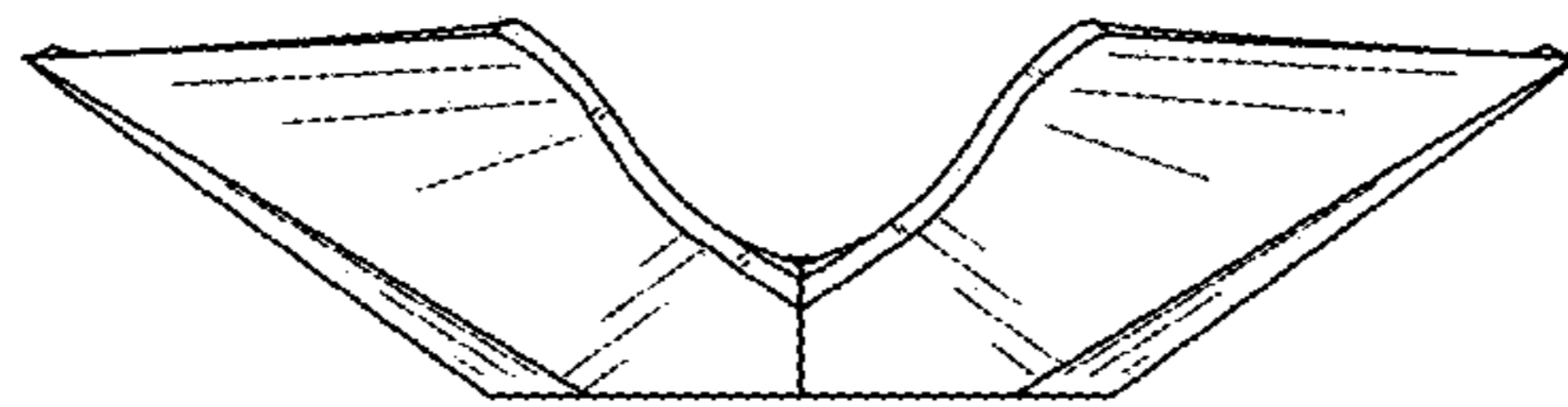


FIG. 4

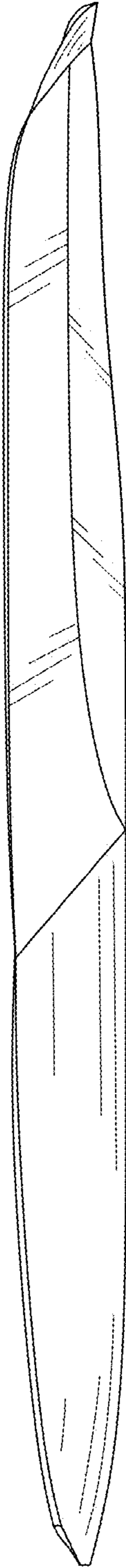


FIG. 5



FIG. 6

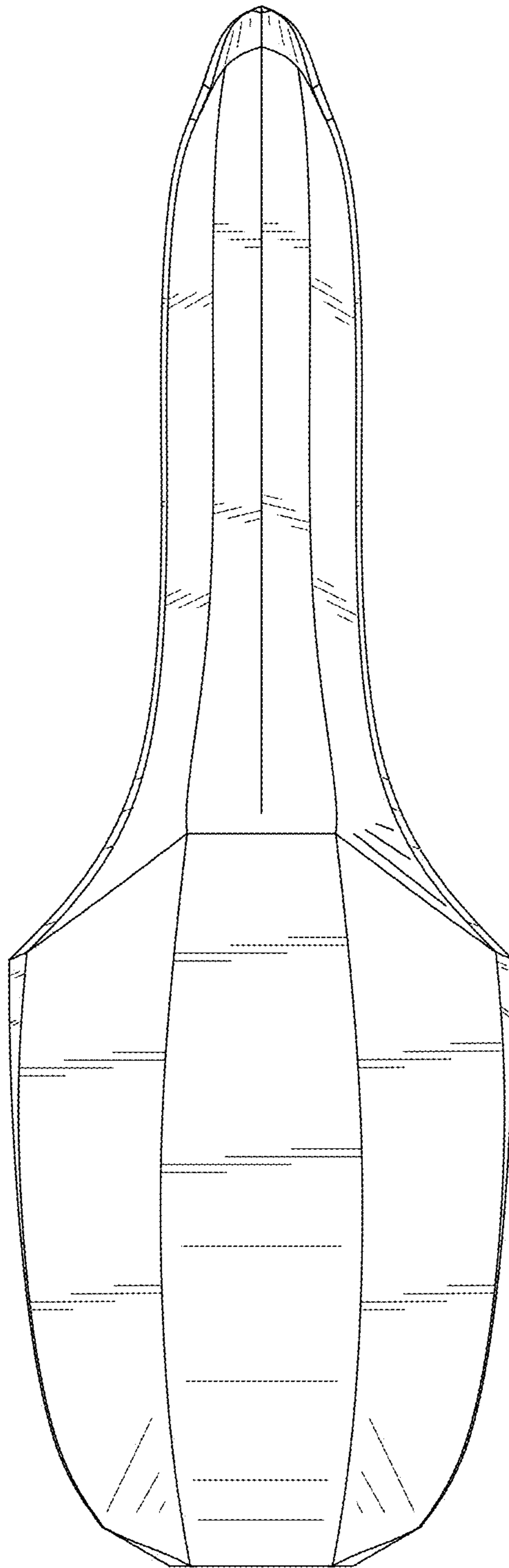


FIG. 7

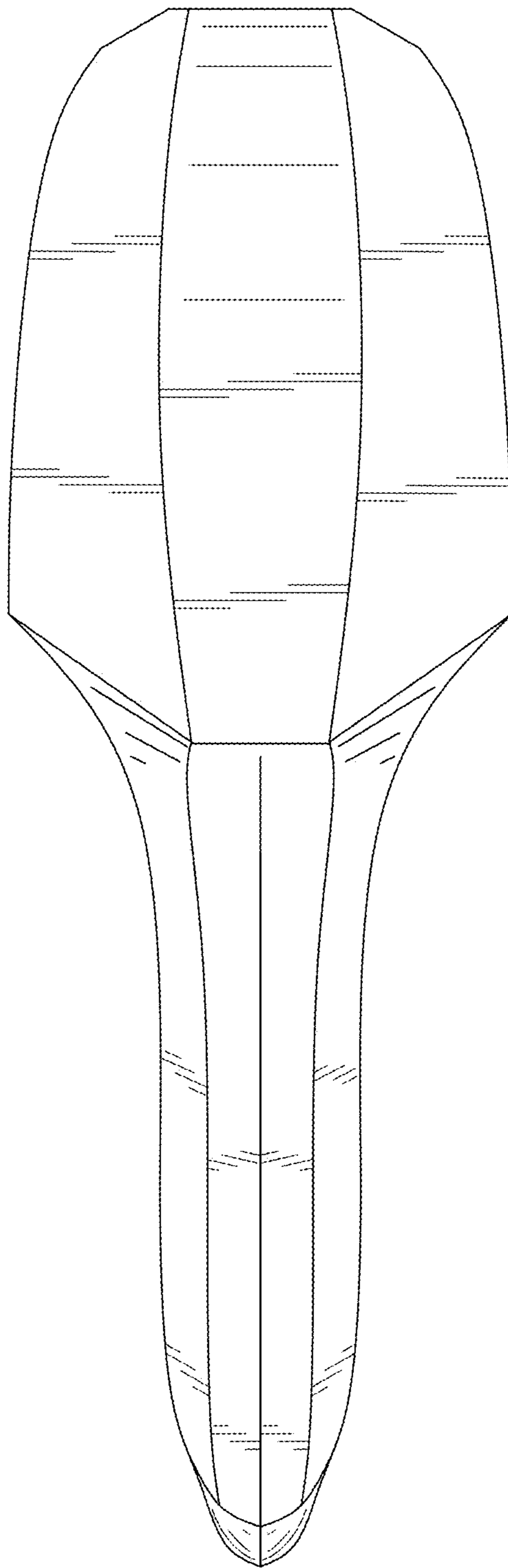


FIG. 8