

US00D870963S

(12) **United States Design Patent** (10) **Patent No.:** **US D870,963 S**  
**White et al.** (45) **Date of Patent:** **\*\* Dec. 24, 2019**

(54) **CONTAINER**

(71) Applicant: **Pax Labs, Inc.**, San Francisco, CA (US)

(72) Inventors: **Bryan White**, San Francisco, CA (US); **Steven Christensen**, San Francisco, CA (US); **Esteban Leon Duque**, San Francisco, CA (US); **Alexander J. Gould**, San Francisco, CA (US)

(73) Assignee: **Pax Labs, Inc.**, San Francisco, CA (US)

(\*\*) Term: **15 Years**

(21) Appl. No.: **29/617,899**

(22) Filed: **Sep. 15, 2017**

**Related U.S. Application Data**

(63) Continuation of application No. 29/573,632, filed on Aug. 8, 2016.

(51) **LOC (12) Cl.** ..... **27-99**

(52) **U.S. Cl.**  
USPC ..... **D27/194**

(58) **Field of Classification Search**  
USPC ..... D27/100-196; D23/366; D13/103;  
D9/452, 453, 454, 457; D7/714  
CPC ..... A24F 1/30; A24F 5/04; A24F 9/00; A24F  
47/002; A24F 47/008; A24F 7/00; A61M  
15/0021  
See application file for complete search history.

(56) **References Cited**

**U.S. PATENT DOCUMENTS**

D407,978 S \* 4/1999 Petro ..... D9/453  
D465,731 S \* 11/2002 Brant ..... D9/453  
D481,314 S \* 10/2003 Noonan ..... D9/438  
D513,181 S \* 12/2005 Bloom ..... D9/453  
D573,022 S \* 7/2008 Berman ..... D9/453  
D574,240 S \* 8/2008 Szczesniak ..... D9/453

D584,149 S \* 1/2009 Lohrman ..... D9/453  
D606,864 S \* 12/2009 Robinson ..... D9/453  
D619,003 S \* 7/2010 Benoit-Gonin ..... D9/453  
D632,958 S \* 2/2011 Fuchs ..... D9/453

(Continued)

**OTHER PUBLICATIONS**

Pax Pods-Prisim by Pax Labs. dated 2018. found online [Sep. 24, 2018] <http://pyramidpens.com/products/pax-pods-prisim/>.\*

*Primary Examiner* — Marissa J Cash

(74) *Attorney, Agent, or Firm* — Mintz Levin Cohn Ferris Glovsky and Popeo, P.C.

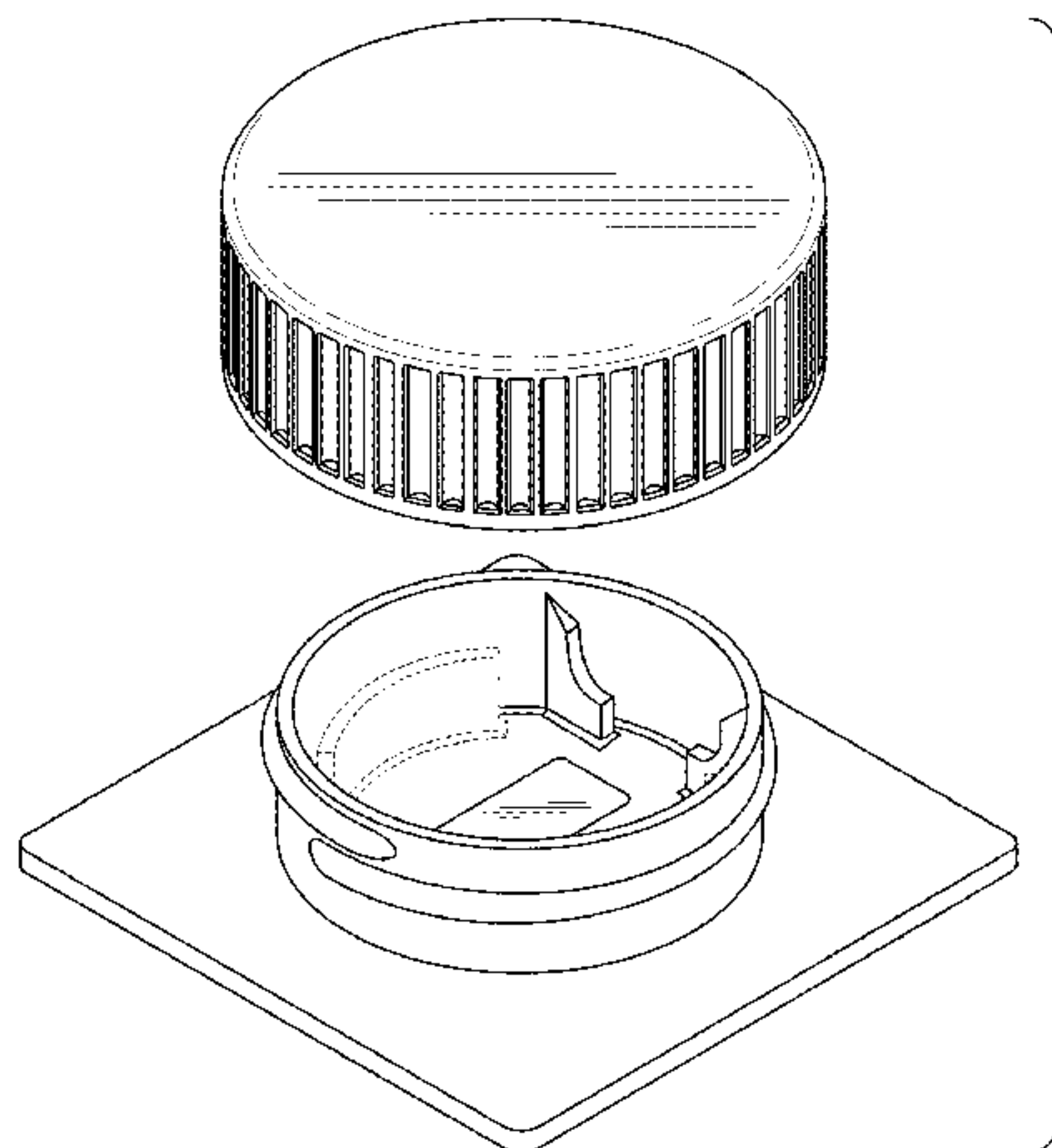
(57) **CLAIM**

The ornamental design for a container, as shown and described.

**DESCRIPTION**

FIG. 1 shows a top perspective view of a first embodiment of a container showing our design; FIG. 2 shows a top plan view thereof; FIG. 3 shows a bottom plan view thereof; FIG. 4 shows a front plan view thereof; the rear plan view is the same; FIG. 5 shows a side plan view thereof; the opposite side plan view is substantially the same; and FIG. 6 shows an exploded top perspective view thereof. FIG. 7 shows a top perspective view of a second embodiment of a container showing our design; FIG. 8 shows a top plan view thereof; FIG. 9 shows a bottom plan view thereof; FIG. 10 shows a front plan view thereof; the rear plan view is the same; FIG. 11 shows a side plan view thereof; the opposite side plan view is substantially the same; and, FIG. 12 shows an exploded top perspective view thereof. The broken lines show portions of the container that form no part of the claimed design.

**1 Claim, 10 Drawing Sheets**



(56)

## References Cited

## U.S. PATENT DOCUMENTS

D633,386	S	*	3/2011	Taber	.....	D9/453
D634,200	S	*	3/2011	Taber	.....	D9/453
D679,999	S	*	4/2013	Miceli	.....	D9/441
D680,000	S	*	4/2013	Miceli	.....	D9/441
D681,465	S	*	5/2013	Cox	.....	D9/441
D681,466	S	*	5/2013	Cox	.....	D9/441
D687,299	S	*	8/2013	Peykoff	.....	D9/453
D688,128	S	*	8/2013	Krause	.....	B65D 41/0414 D9/453
D693,221	S	*	11/2013	Ramsey	.....	D9/453
D693,684	S	*	11/2013	Ramsey	.....	D9/453
D693,685	S	*	11/2013	Ramsey	.....	D9/453
D694,109	S	*	11/2013	Tanner	.....	D9/447
D694,110	S	*	11/2013	Tanner	.....	D9/452
D709,766	S	*	7/2014	Miceli	.....	D9/453
D714,147	S	*	9/2014	Lindstrom, Sr.	.....	D9/453
D723,919	S	*	3/2015	Taber	.....	D9/438
D756,776	S	*	5/2016	Orset	.....	D9/452
D756,790	S	*	5/2016	Henriksson	.....	D9/504
D757,545	S	*	5/2016	King	.....	D9/453
D763,691	S	*	8/2016	Marantis	.....	D9/434
D789,201	S	*	6/2017	Yu	.....	D9/453
D792,219	S	*	7/2017	Bueno Nunez	.....	D9/453
D797,557	S	*	9/2017	Ziccardi	.....	D9/443
D804,306	S	*	12/2017	Simons	.....	D9/454
D805,900	S	*	12/2017	Kapolas	.....	D9/453
2007/0045320	A1	*	3/2007	Biesecker	.....	B65D 50/041 220/345.1
2011/0017741	A1	*	1/2011	Sprishen	.....	B65D 41/045 220/288
2013/0001185	A1	*	1/2013	Antier	.....	B65D 41/3442 215/252
2014/0158660	A1	*	6/2014	Wood	.....	B65D 41/0421 215/252
2016/0332783	A1	*	11/2016	Kim	.....	B65D 41/34

\* cited by examiner

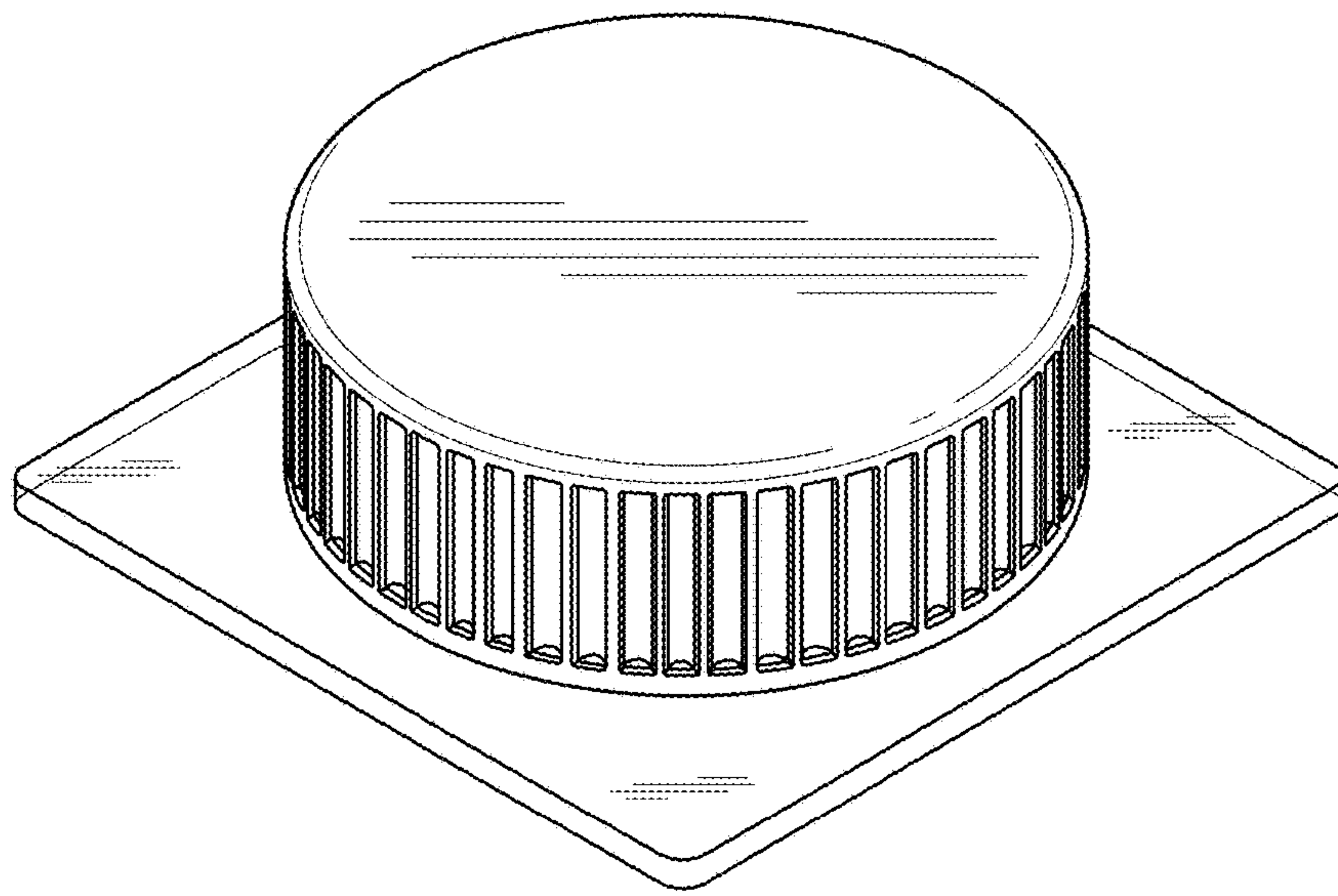


FIG. 1

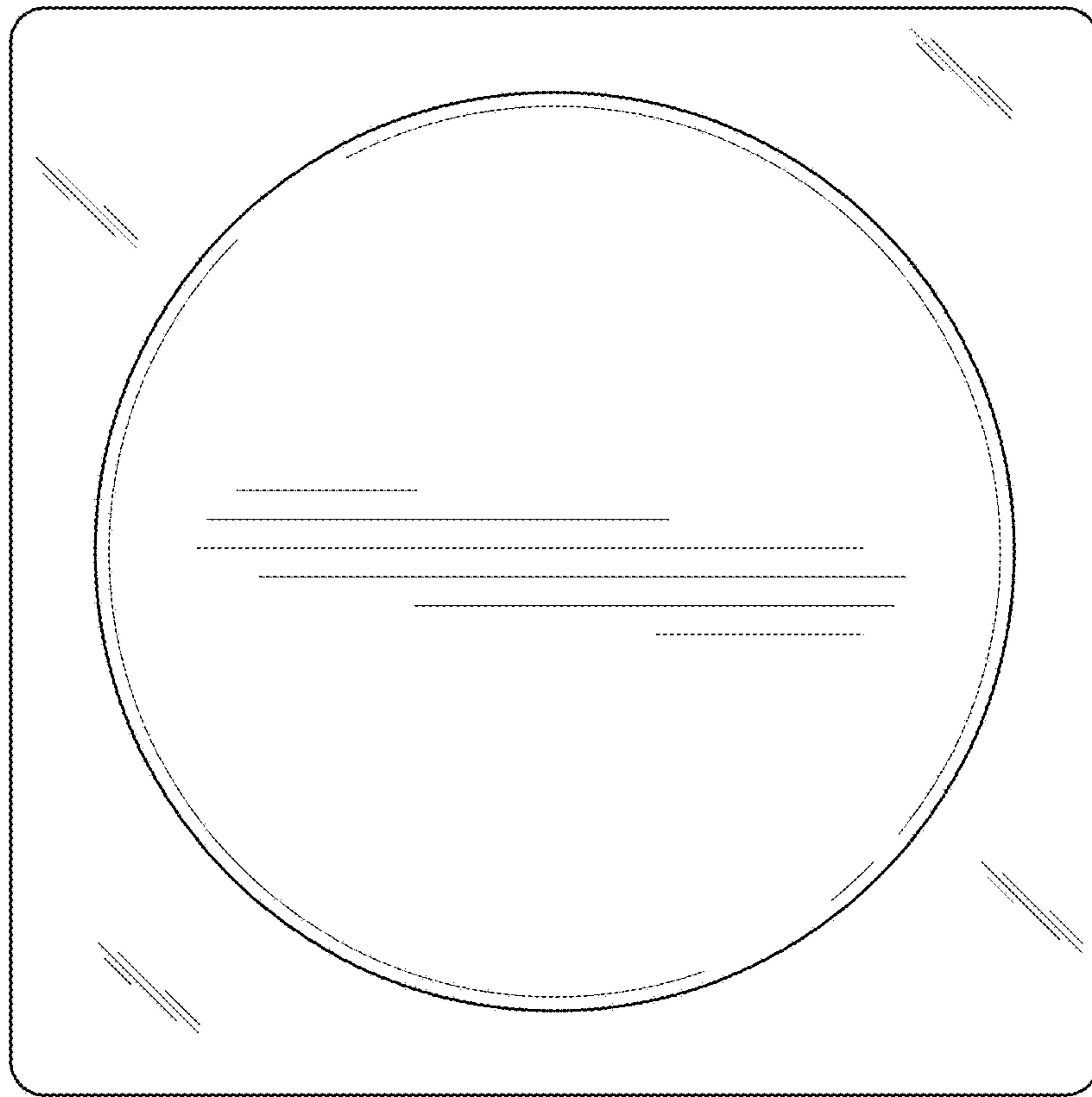


FIG. 2

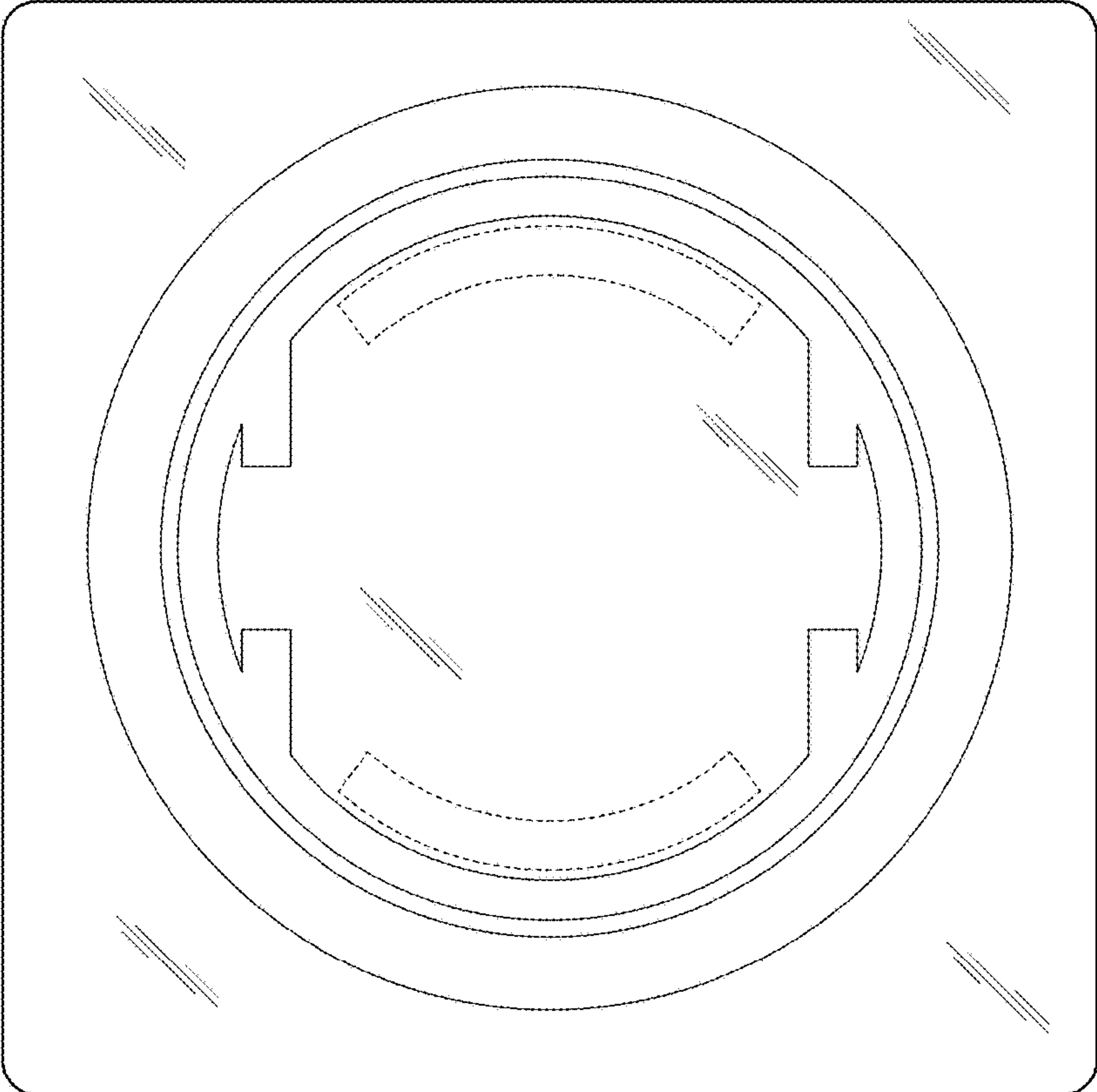


FIG. 3



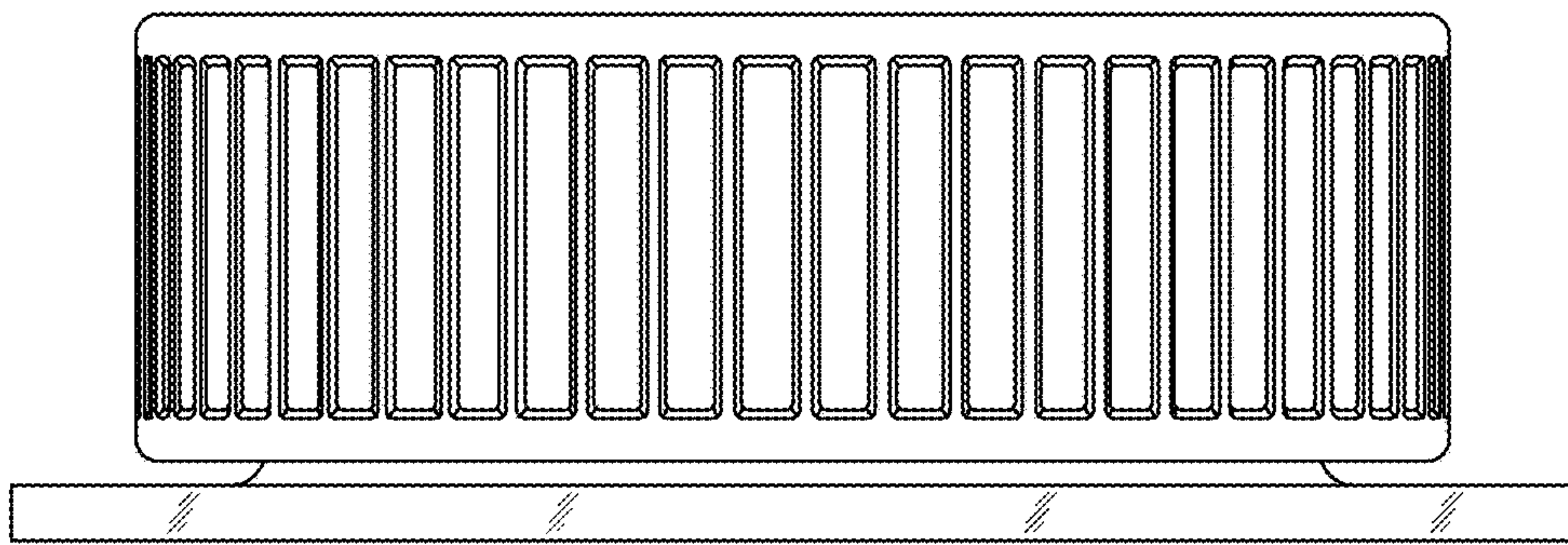


FIG. 4

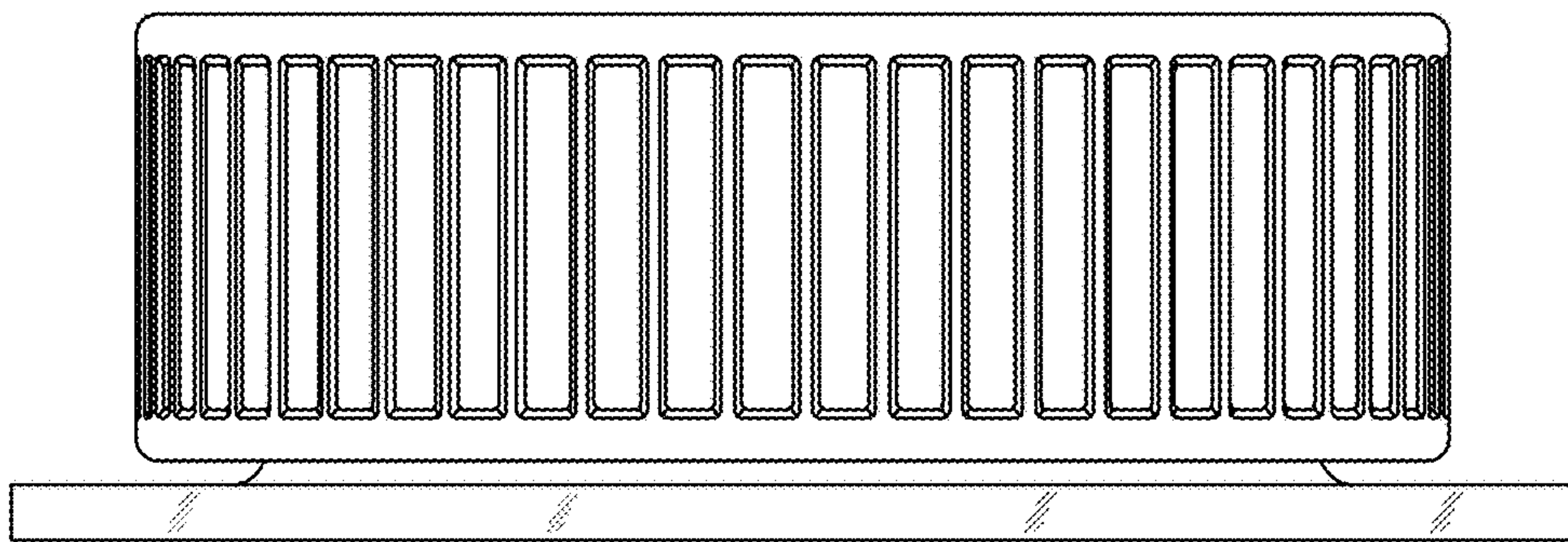


FIG. 5

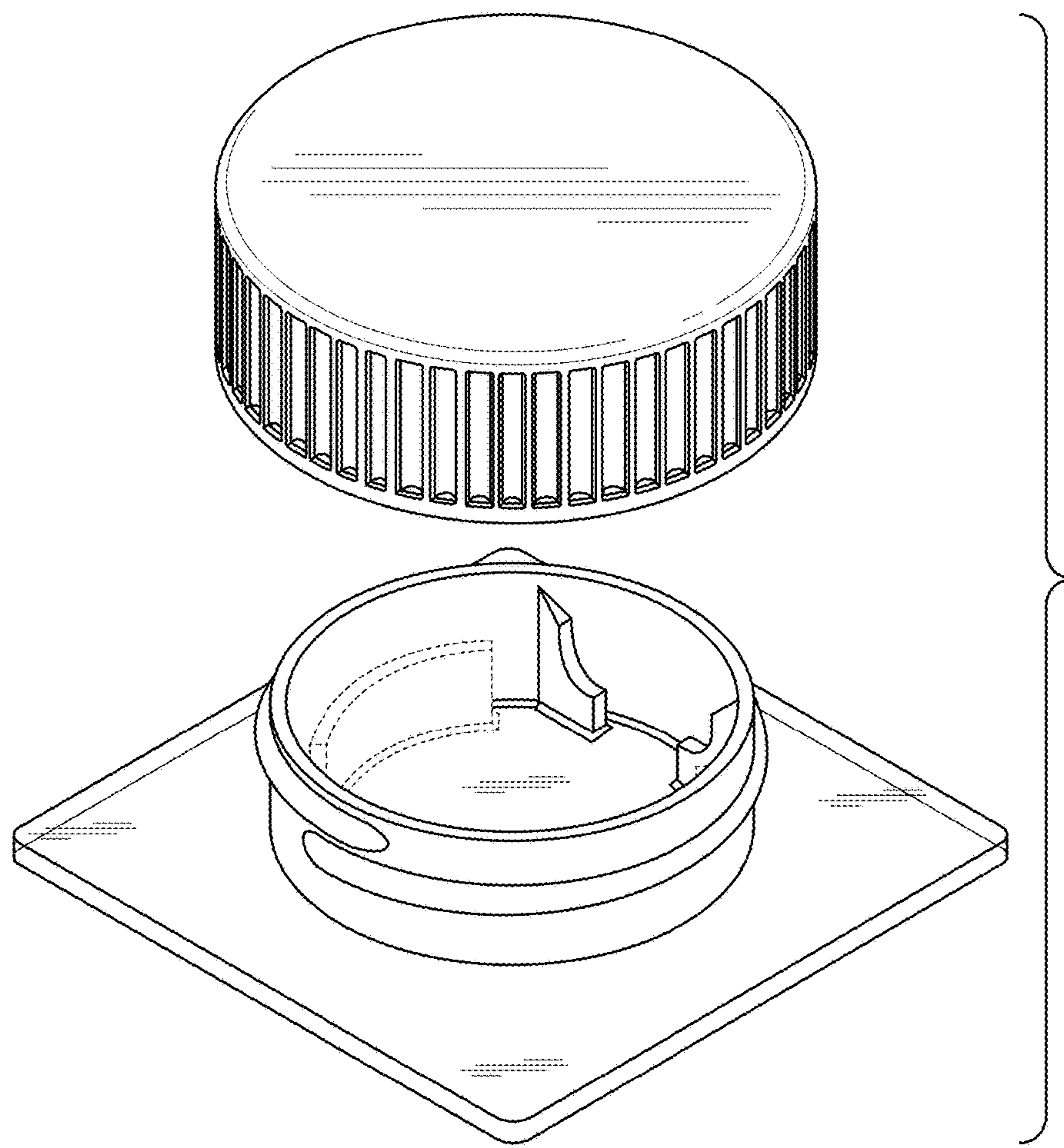


FIG. 6

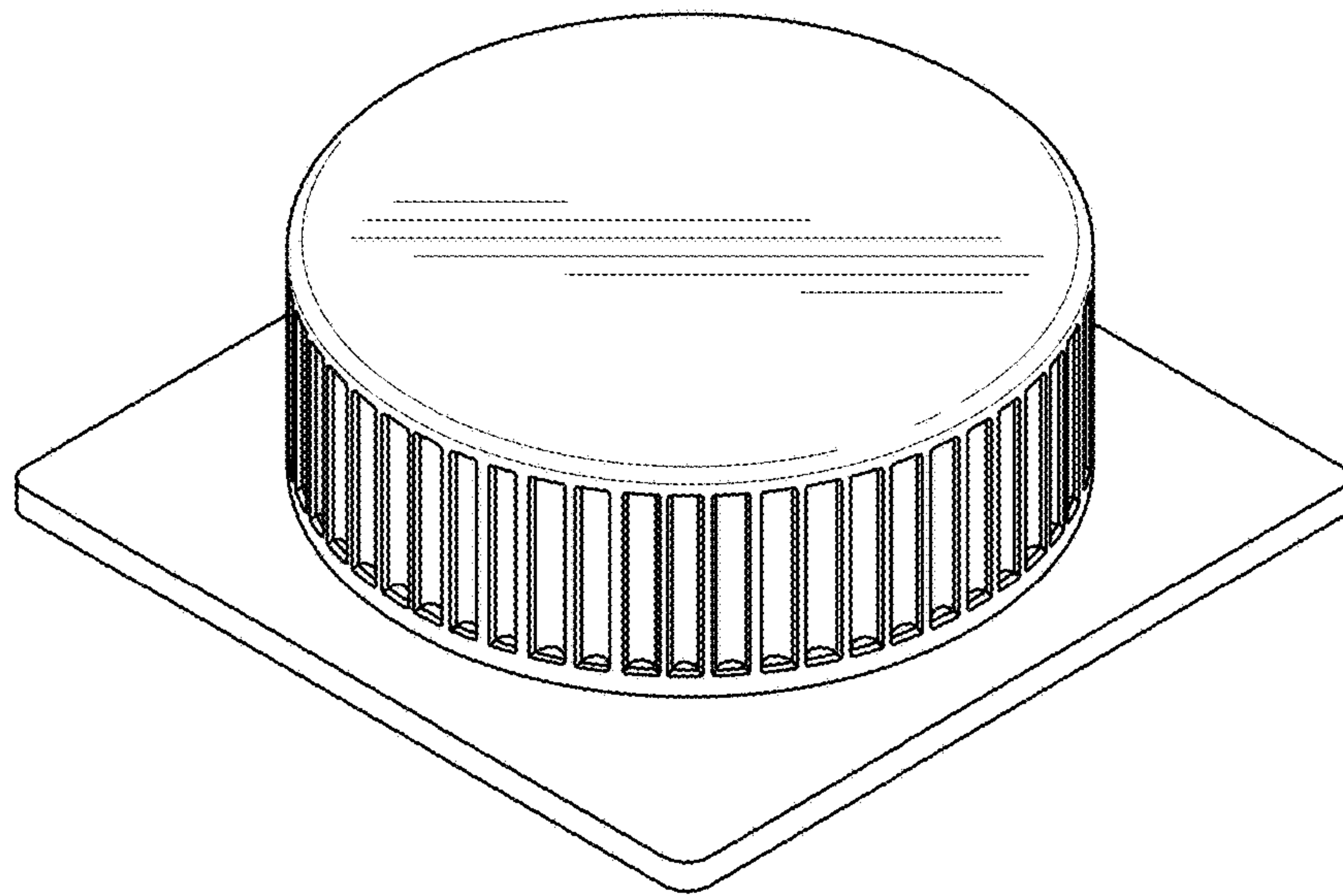


FIG. 7



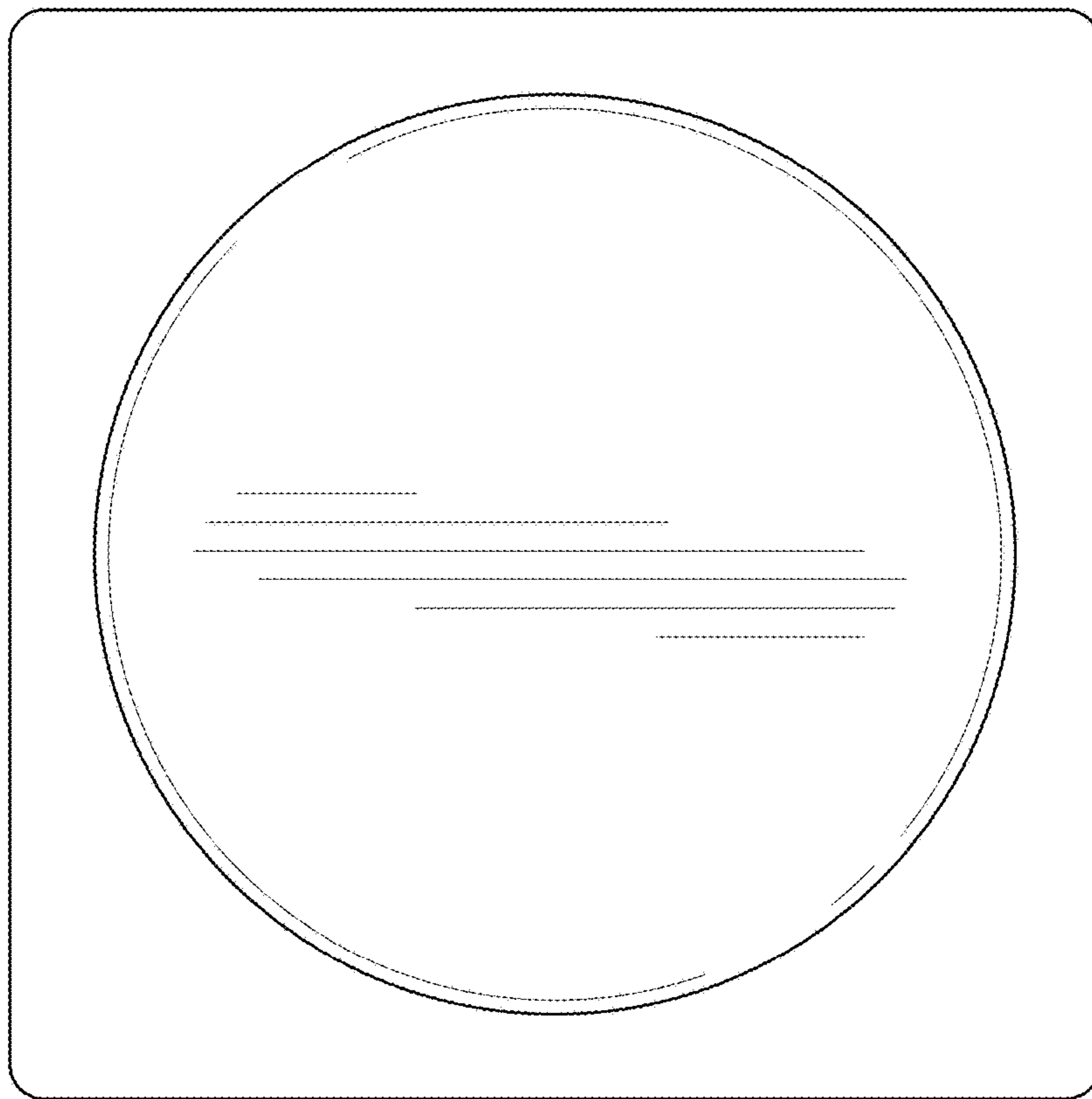


FIG. 8

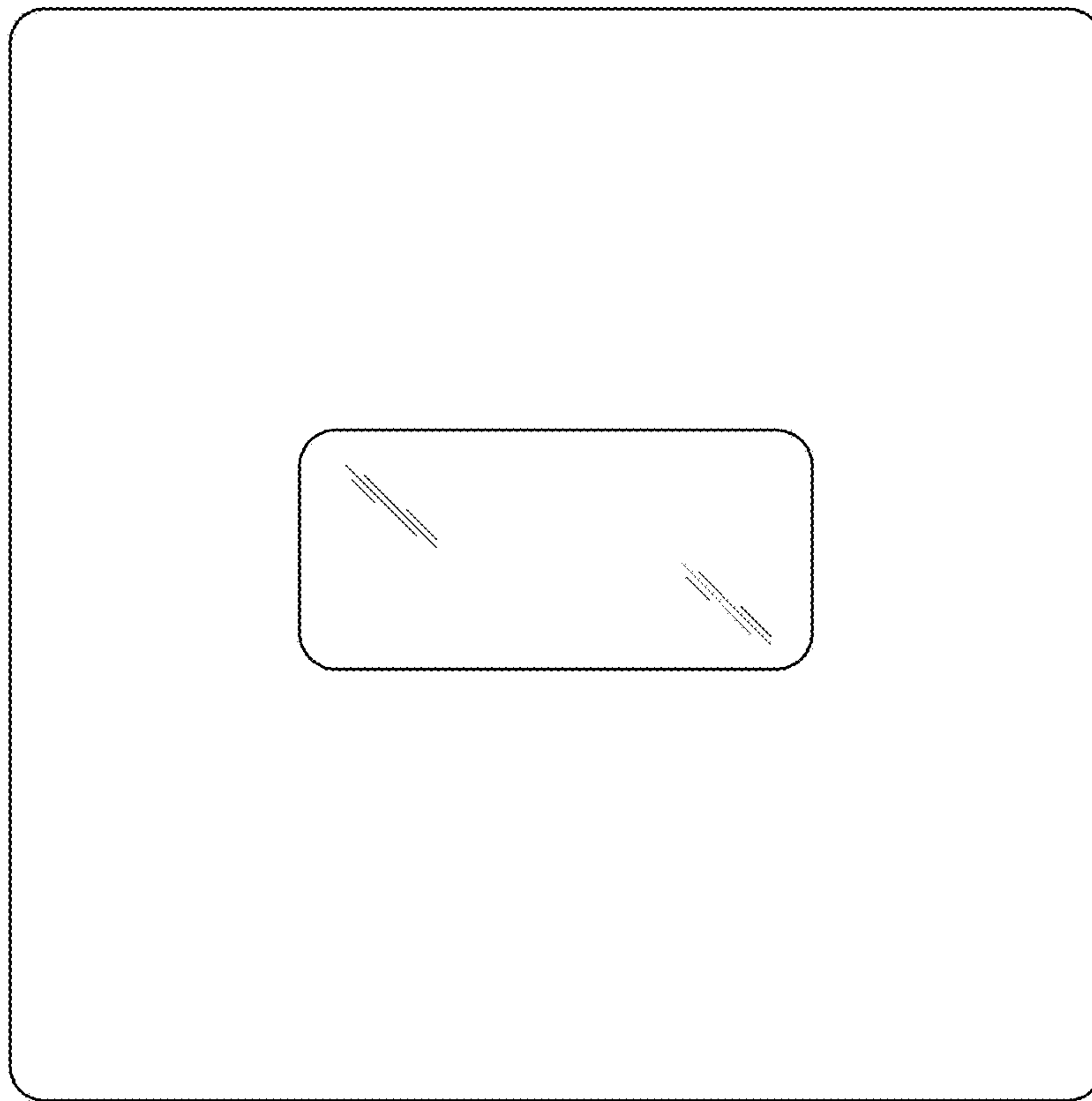


FIG. 9

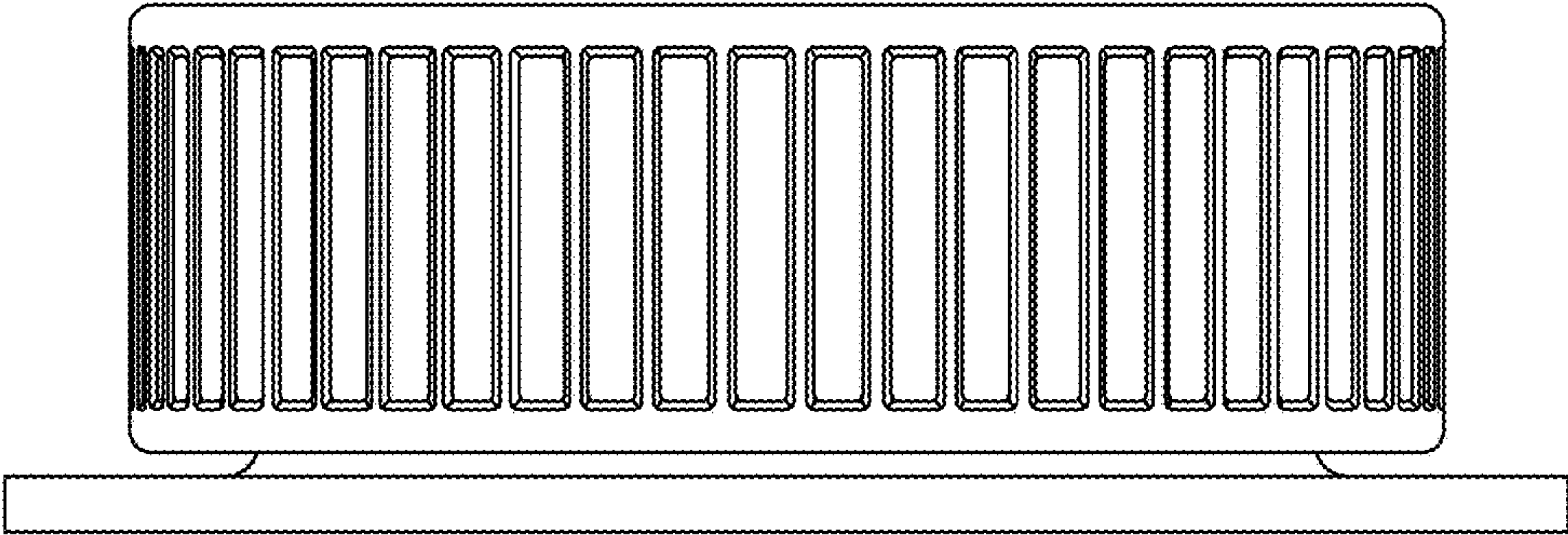


FIG. 10

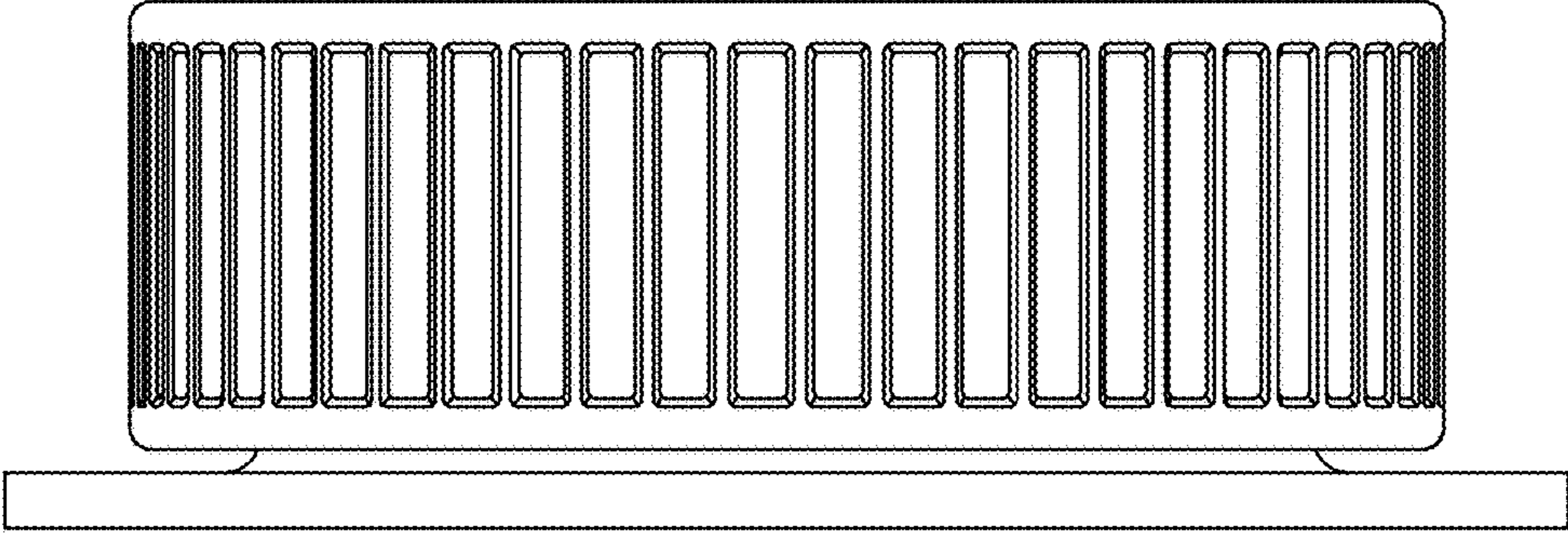


FIG. 11

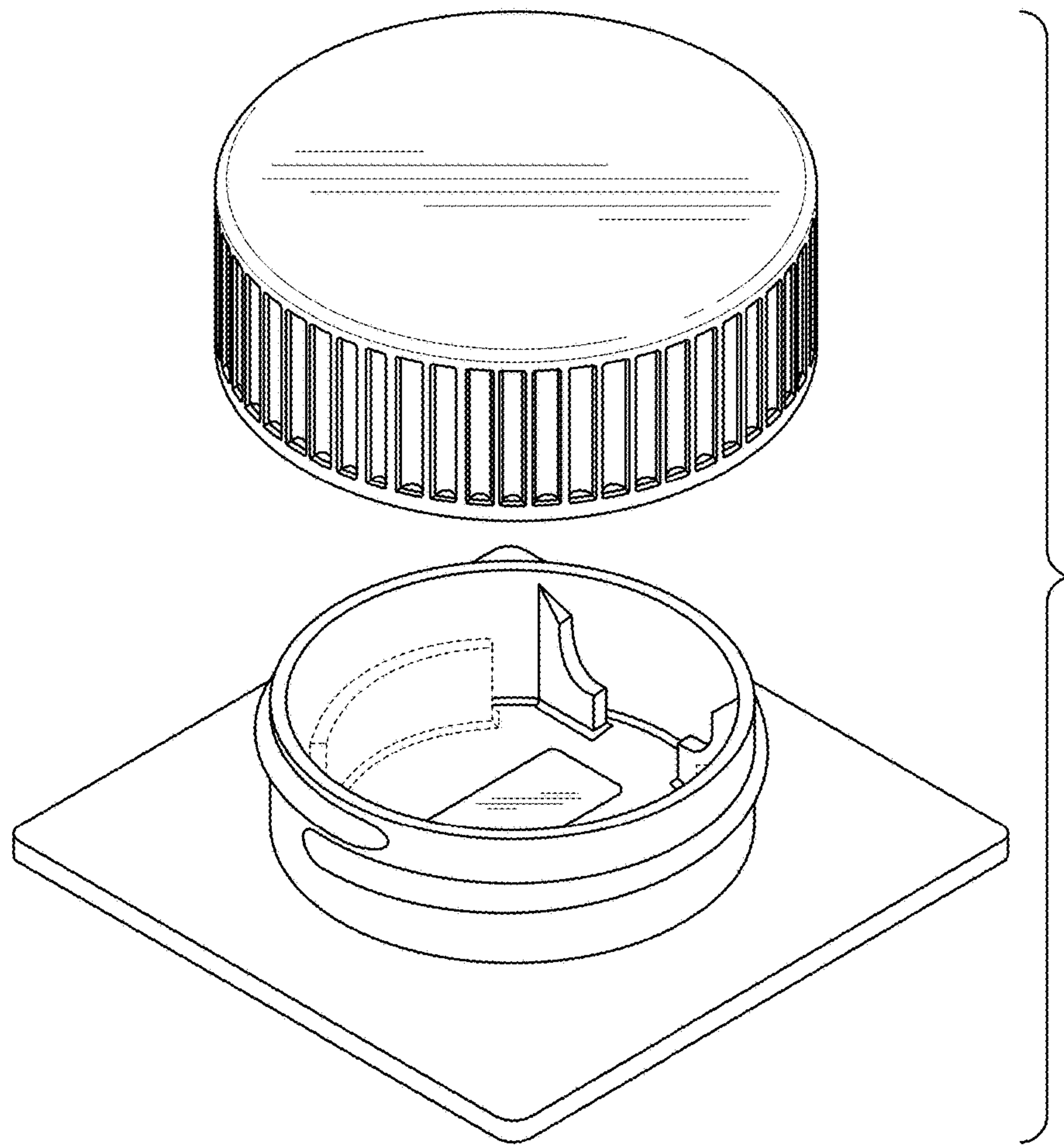


FIG. 12