



US00D870960S

(12) **United States Design Patent**  
**Luxton**

(10) **Patent No.:** **US D870,960 S**

(45) **Date of Patent:** **\*\* Dec. 24, 2019**

(54) **PIPE WITH VIEWING CHAMBER**

(71) Applicant: **Kevin Luxton**, Rochelle, IL (US)

(72) Inventor: **Kevin Luxton**, Rochelle, IL (US)

(\*\*) Term: **15 Years**

(21) Appl. No.: **29/646,233**

(22) Filed: **May 2, 2018**

(51) **LOC (12) Cl.** ..... **27-02**

(52) **U.S. Cl.**  
USPC ..... **D27/162**

(58) **Field of Classification Search**  
USPC ..... D27/162, 101, 163, 165, 171, 182, 186,  
D27/188-190, 192, 194; D9/415, 432,  
D9/573; D23/367; D24/110; 131/273,  
131/274, 329, 330

CPC .... A24F 47/002; A24F 47/004; A24F 47/008;  
A61M 15/00; A61M 15/06

See application file for complete search history.

(56) **References Cited**

**U.S. PATENT DOCUMENTS**

4,214,658	A	7/1980	Crow	
D373,627	S *	9/1996	Specht	D23/366
D444,226	S *	6/2001	Geert-Jensen	D24/110
6,474,342	B1	11/2002	Rennecamp	
D496,657	S *	9/2004	Mah	D14/341
D533,185	S *	12/2006	Ishida	D14/203.2
D551,799	S *	9/2007	Smith	D27/155
D645,358	S *	9/2011	de Monclin	D9/522
8,393,563	B2	3/2013	Chaoui et al.	
D700,994	S *	3/2014	Alarcon	D27/189
D716,997	S *	11/2014	Freeland	D23/367
D718,044	S *	11/2014	Vargo	D3/202
D720,620	S *	1/2015	Gerard	D9/522
D735,936	S *	8/2015	Liu	D27/189
D753,338	S *	4/2016	Chen	D27/162
D758,656	S *	6/2016	Freshwater	D27/163
D767,201	S *	9/2016	Starr	D27/163
D772,477	S *	11/2016	Shin	D27/163

D775,414	S	12/2016	Ampolini et al.	
D800,380	S *	10/2017	Williams	D27/163
D801,507	S *	10/2017	Kelnhofer	D23/366
D806,311	S *	12/2017	Smith	D27/162

(Continued)

**OTHER PUBLICATIONS**

RYOT—Taster Box—Acrylic. Product listing [online]. ©WickiePipes 2016 [retrieved on Jan. 17, 2017]. Retrieved from the Internet: <URL: <https://www.wickiepipes.com/ryot-taster-box-acrylic-3027>>.

(Continued)

*Primary Examiner* — Susan Bennett Hattan

*Assistant Examiner* — Rebecca Tsehaye

(74) *Attorney, Agent, or Firm* — Cramer Patent & Design, PLLC; Aaron R. Cramer

(57) **CLAIM**

The ornamental design for a pipe with a viewing chamber, as shown and described.

**DESCRIPTION**

FIG. 1 is a perspective top front right view of a pipe with a viewing chamber with a lid installed thereon, showing my new design;

FIG. 2 is a perspective top front right view of the pipe with the viewing chamber with the lid removed therefrom;

FIG. 3 is an exploded perspective top rear left view thereof;

FIG. 4 is an exploded front elevation view thereof;

FIG. 5 is an exploded rear elevation view thereof;

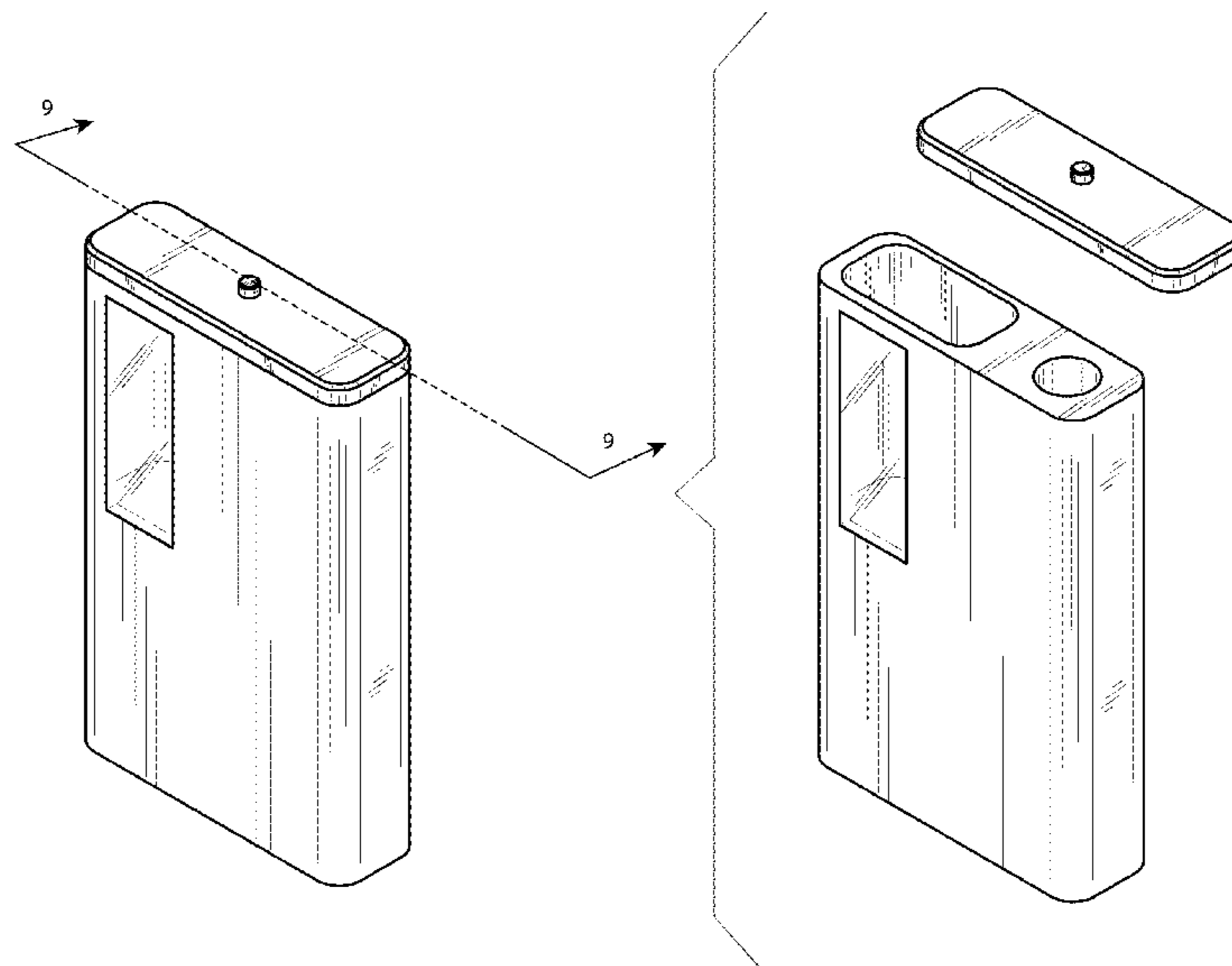
FIG. 6 is an exploded left elevation view thereof, wherein the right elevation view is an identical image thereof;

FIG. 7 is an exploded top plan view thereof;

FIG. 8 is an exploded bottom plan view thereof; and,

FIG. 9 is a cross-sectional view of the pipe along the line I-I of FIG. 7.

**1 Claim, 8 Drawing Sheets**



(56)

**References Cited**

U.S. PATENT DOCUMENTS

D829,983 S \* 10/2018 Wang ..... D27/167

OTHER PUBLICATIONS

Stealth Smoking. Forum [online]. Grasscity Forums [started on Feb. 7, 2012; retrieved on Jan. 17, 2017]. Retrieved from the Internet: <URL: <https://forum.grasscity.com/threads/stealth-smoking.996829/>>.

\* cited by examiner

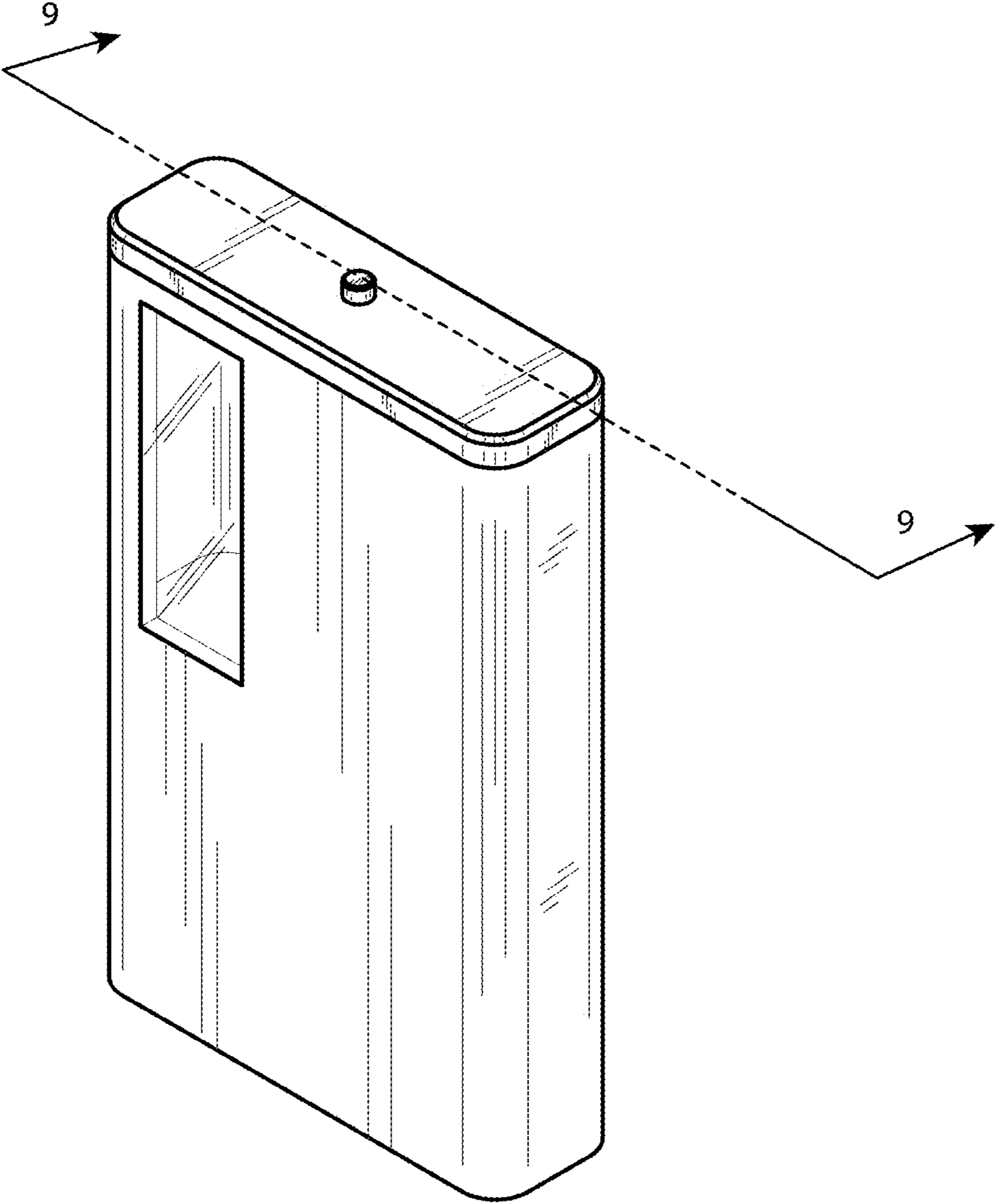


FIG. 1

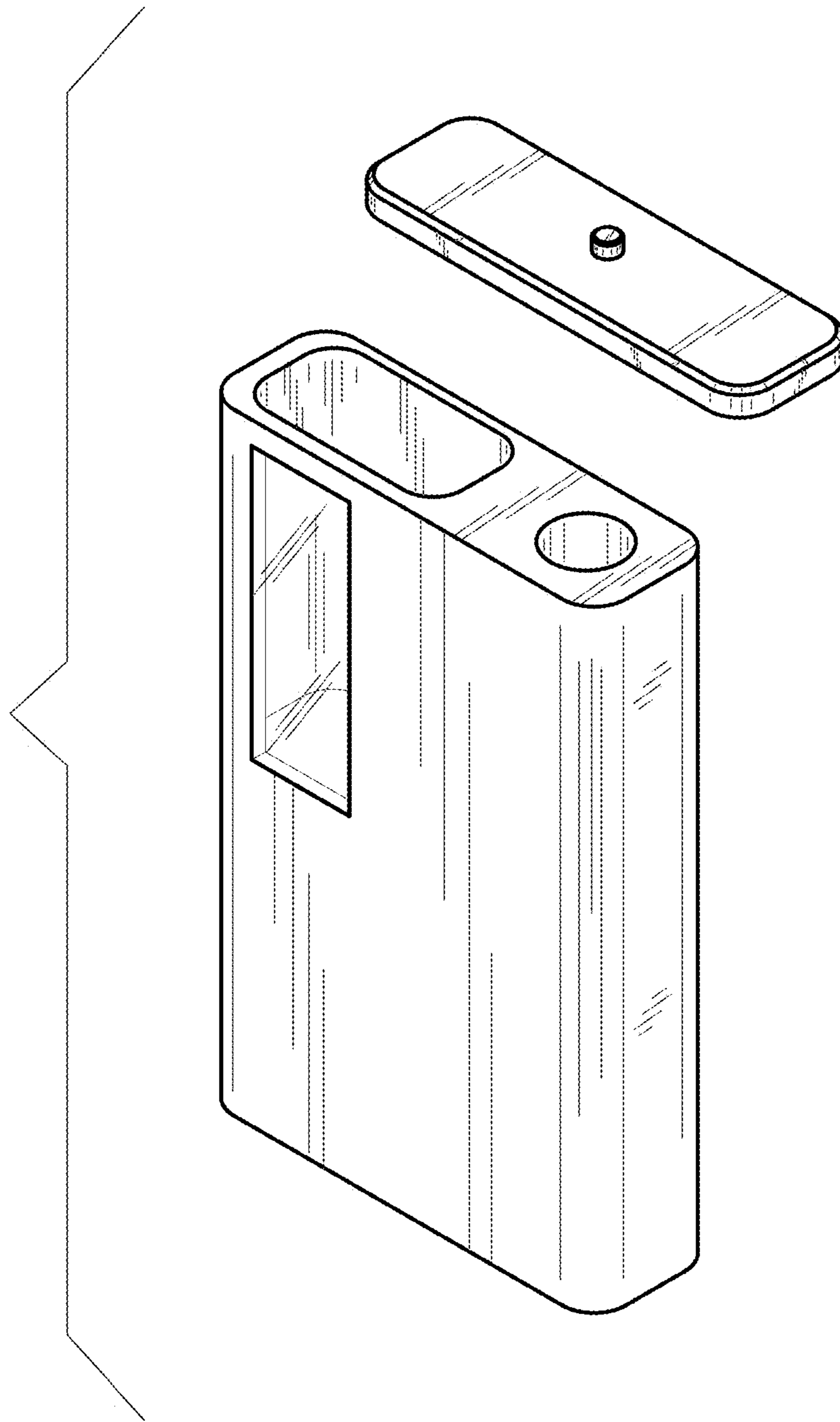


FIG. 2

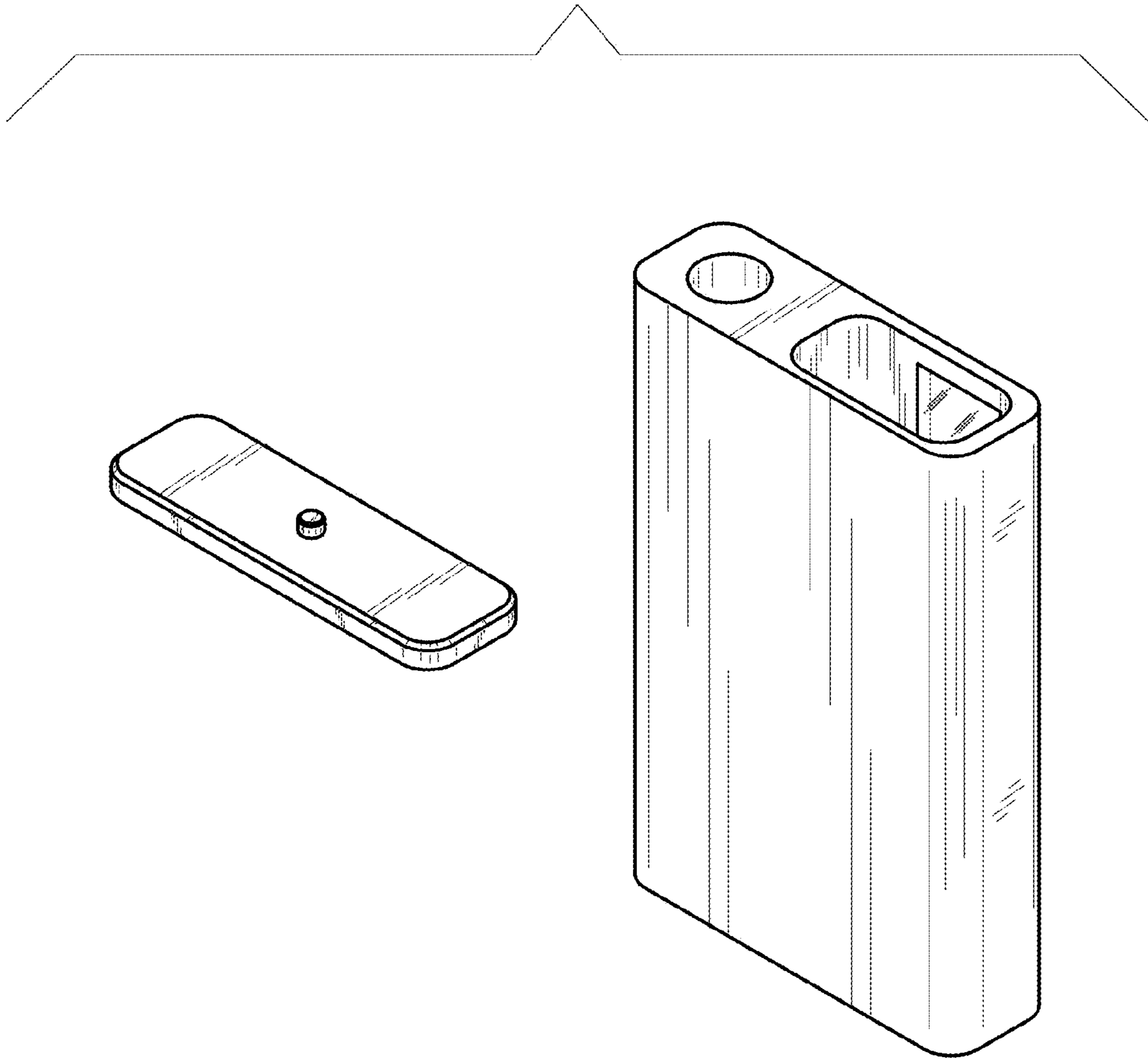


FIG. 3

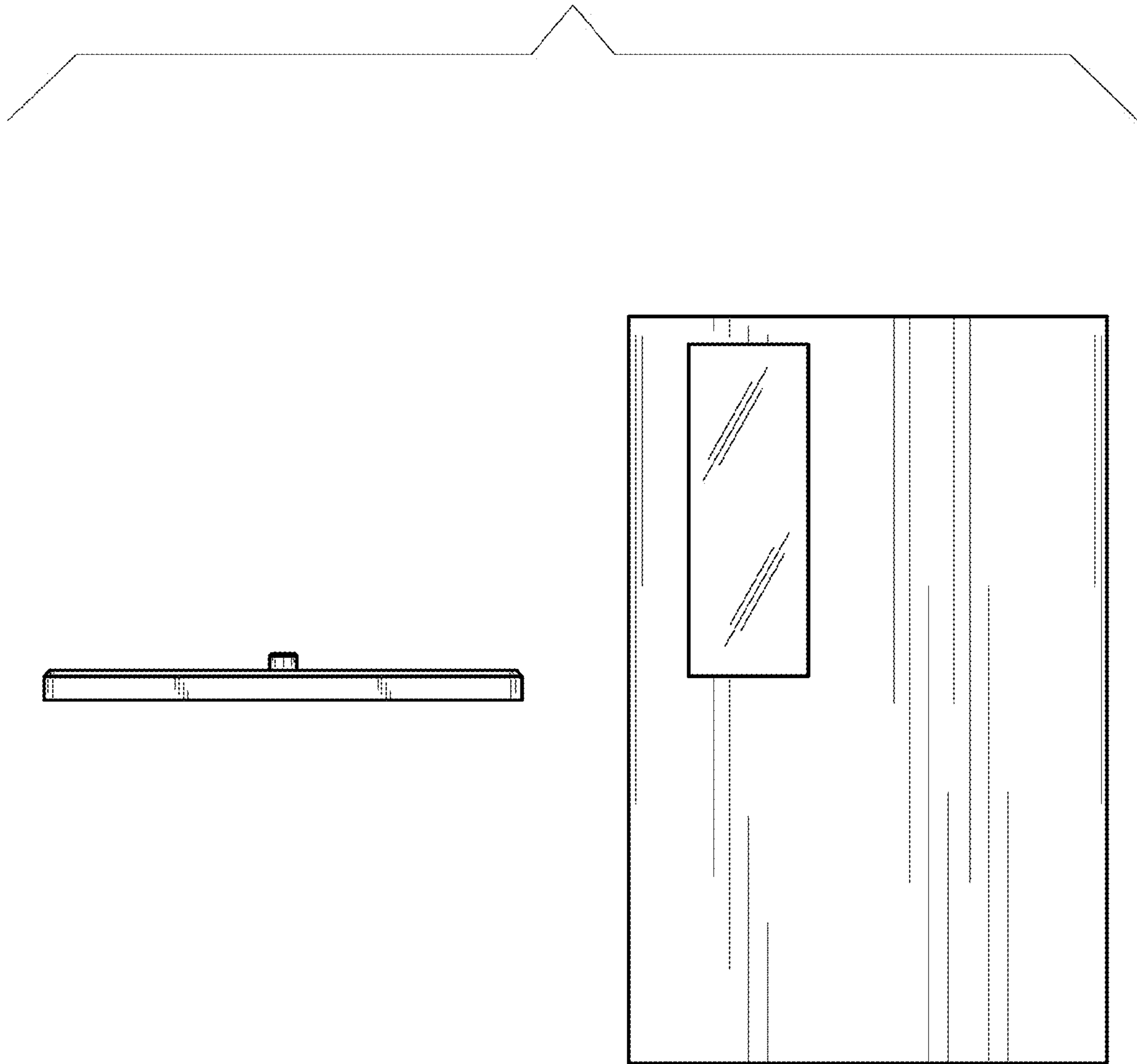


FIG. 4



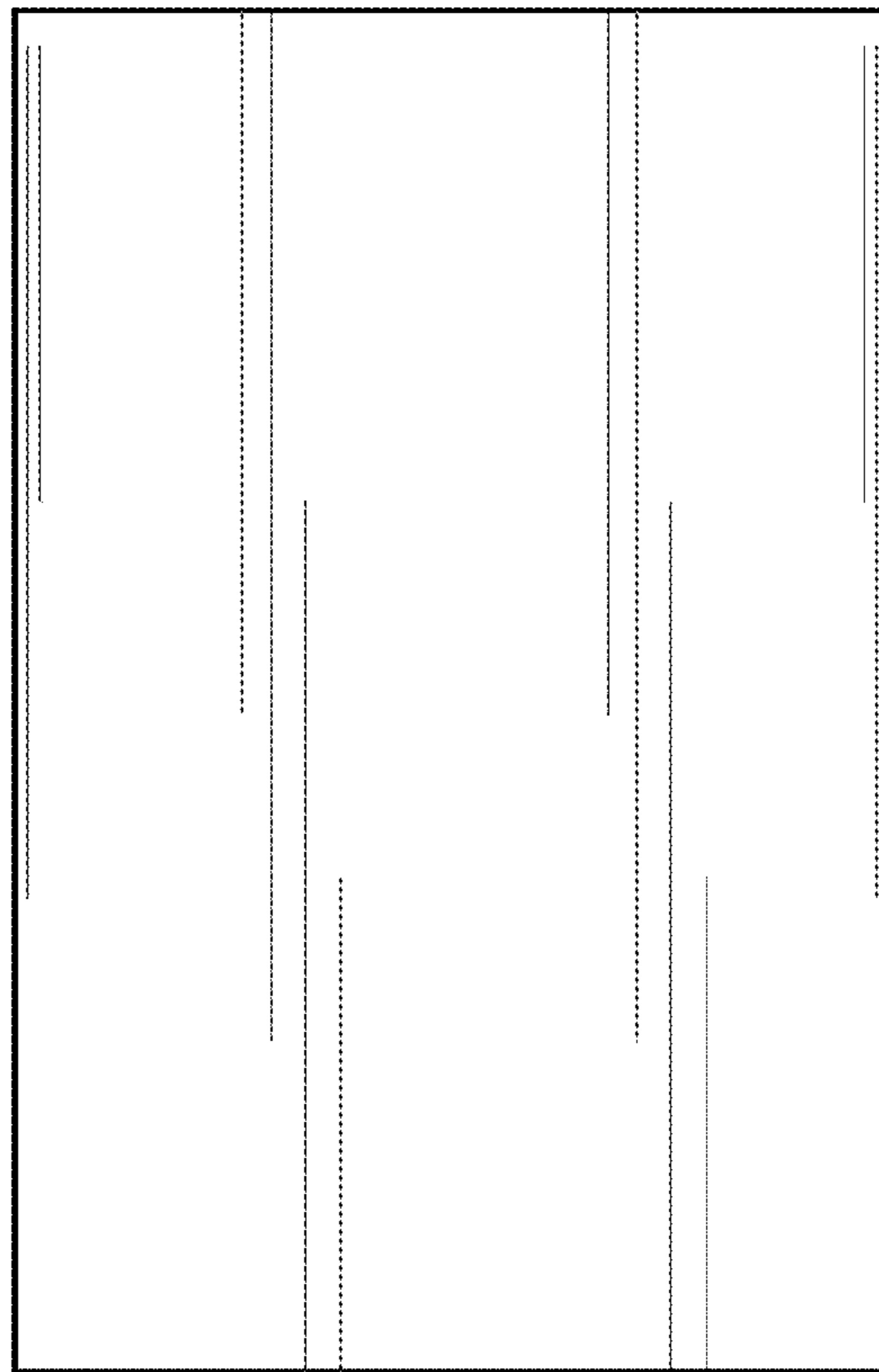
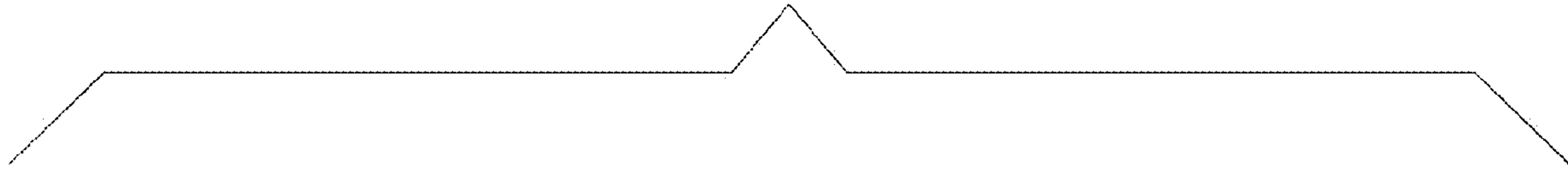


FIG. 5

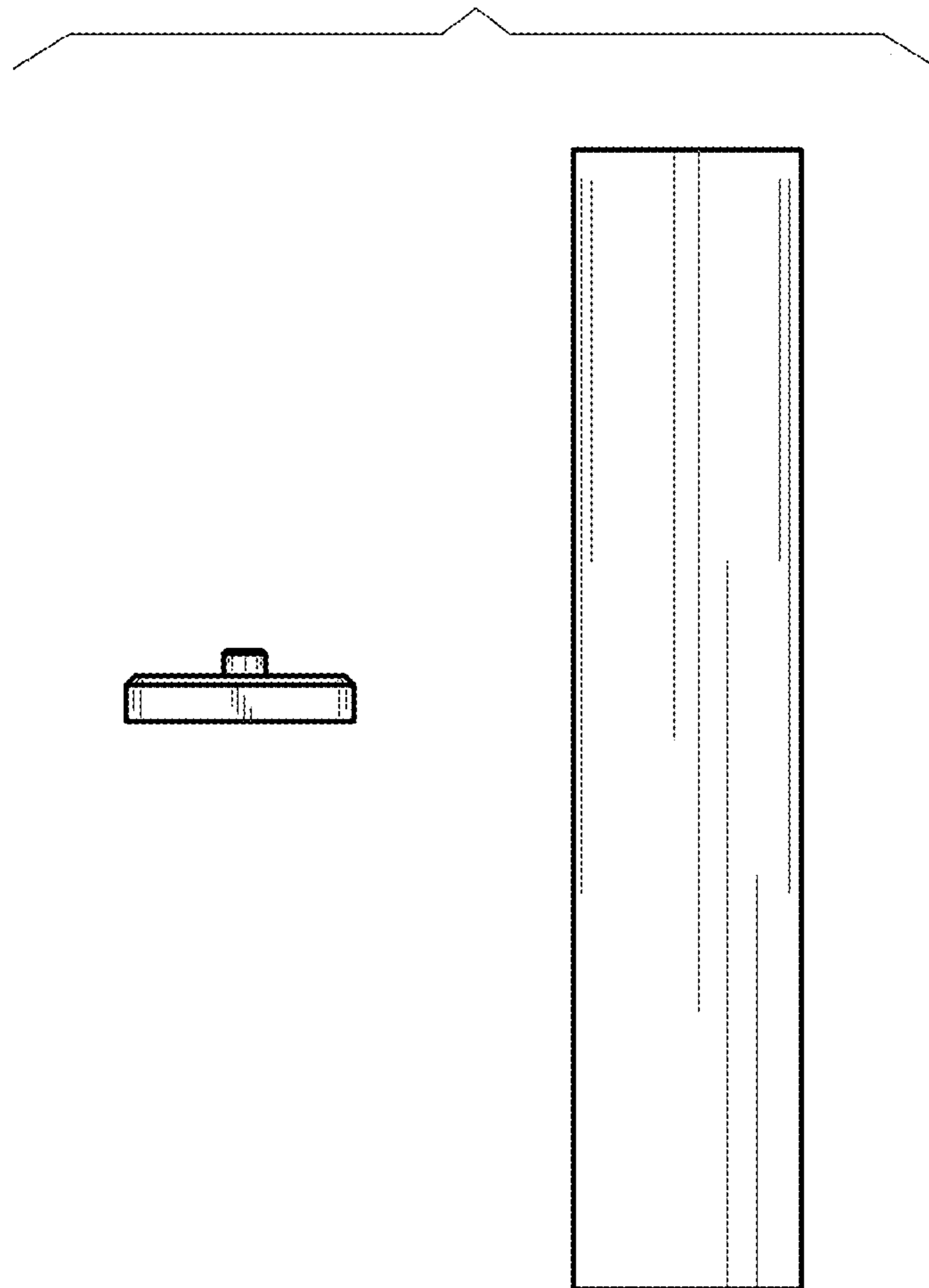


FIG. 6



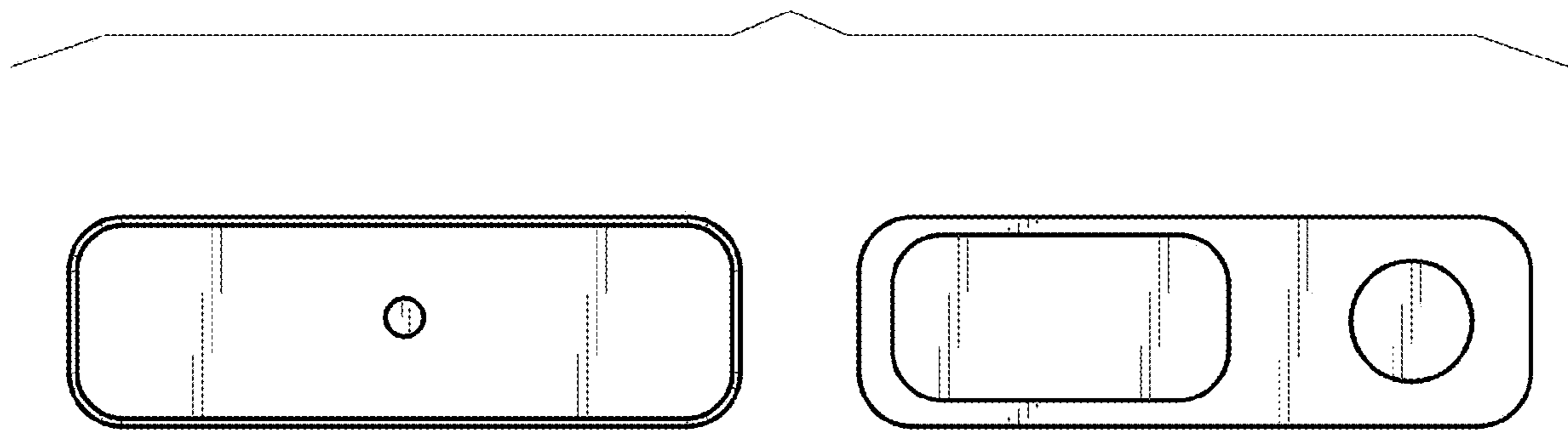


FIG. 7

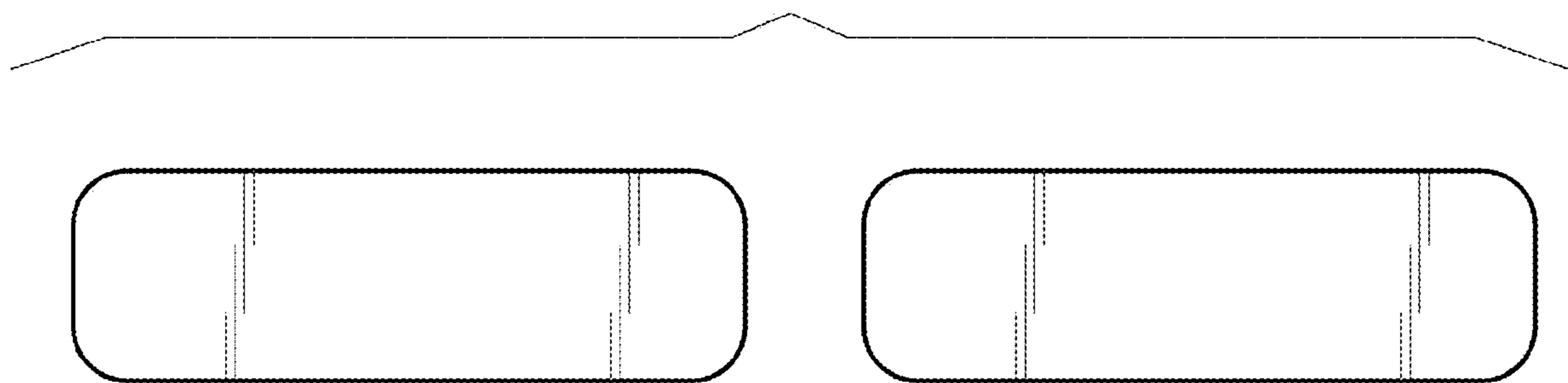


FIG. 8

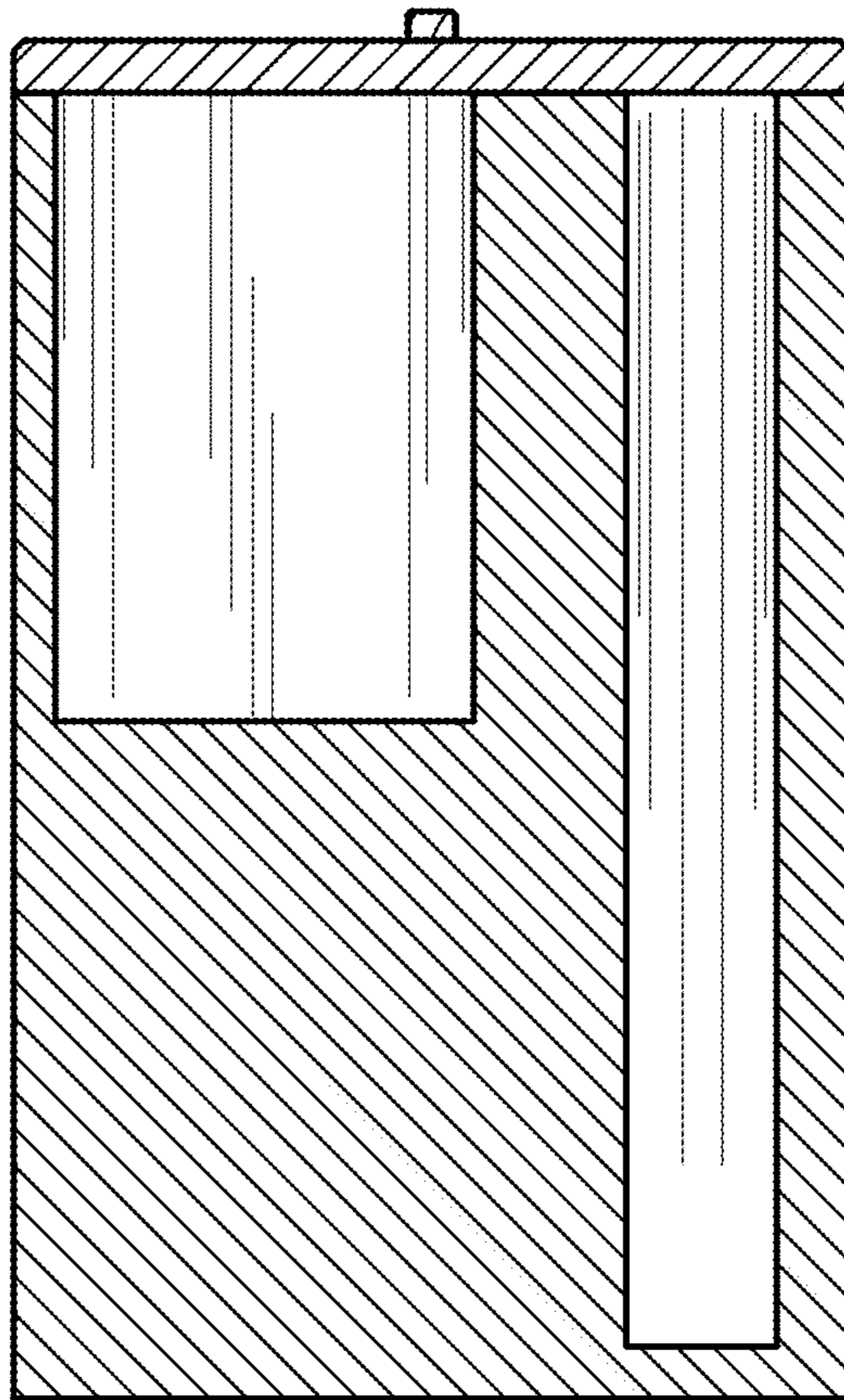


FIG. 9