



US00D870959S

(12) **United States Design Patent** (10) **Patent No.:** **US D870,959 S**
Leon Duque et al. (45) **Date of Patent:** **** Dec. 24, 2019**

(54) **VAPORIZER DEVICE**

(71) Applicant: **Pax Labs, Inc.**, San Francisco, CA (US)

(72) Inventors: **Esteban Leon Duque**, San Francisco, CA (US); **James Monsees**, San Francisco, CA (US); **Brandon Cheung**, San Francisco, CA (US); **Steven Christensen**, San Mateo, CA (US)

(73) Assignee: **Pax Labs, Inc.**, San Francisco, CA (US)

(**) Term: **15 Years**

(21) Appl. No.: **29/617,900**

(22) Filed: **Sep. 15, 2017**

Related U.S. Application Data

(63) Continuation-in-part of application No. 29/568,343, filed on Jun. 16, 2016, now Pat. No. Des. 849,996.

(51) **LOC (12) Cl.** **27-02**

(52) **U.S. Cl.**
USPC **D27/162**

(58) **Field of Classification Search**
USPC D27/100, 101, 102, 103, 104, 105, 125, D27/137, 162, 163–169, 170, 171,
(Continued)

(56) **References Cited**

U.S. PATENT DOCUMENTS

D344,927 S * 3/1994 Sands D13/103
D346,581 S * 5/1994 Tattari D13/103
(Continued)

Primary Examiner — Marissa J Cash

(74) *Attorney, Agent, or Firm* — Mintz Levin Cohn Ferris Glovsky and Popeo, P.C.

(57) **CLAIM**

The ornamental design for a vaporizer device, as shown and described.

DESCRIPTION

The patent or application file contains at least one drawing executed in color. Copies of this patent or patent application with color drawing(s) will be provided by the Office upon request and payment of the necessary fee.

FIG. 1 shows a front plan photograph of a first embodiment of a vaporizer device showing our design; a reference view thereof is shown on page 1 of the Appendix;

FIG. 2 shows a rear plan photograph thereof; a reference view thereof is shown on page 2 of the Appendix;

FIG. 3 shows a side plan photograph thereof; the other side plan photograph is substantially the same;

FIG. 4 shows a top perspective photograph thereof; a reference view thereof is shown on page 3 of the Appendix;

FIG. 5 shows a top plan photograph thereof;

FIG. 6 shows a bottom perspective photograph thereof; a reference view thereof is shown on page 4 of the Appendix; and

FIG. 7 shows a bottom plan photograph thereof.

FIG. 8 shows a bottom perspective view of a second embodiment of a vaporizer device showing our design;

FIG. 9 shows a top perspective view thereof;

FIG. 10 shows a front plan view thereof;

FIG. 11 shows a side plan view thereof; the opposite side plan view is substantially the same;

FIG. 12 shows a rear plan view thereof;

FIG. 13 shows a bottom plan view thereof; and

FIG. 14 shows a top plan view thereof.

FIG. 15 shows an exploded bottom perspective view of a third embodiment of a vaporizer device showing our design;

FIG. 16 shows an exploded top perspective view thereof;

FIG. 17 shows an exploded front plan view thereof;

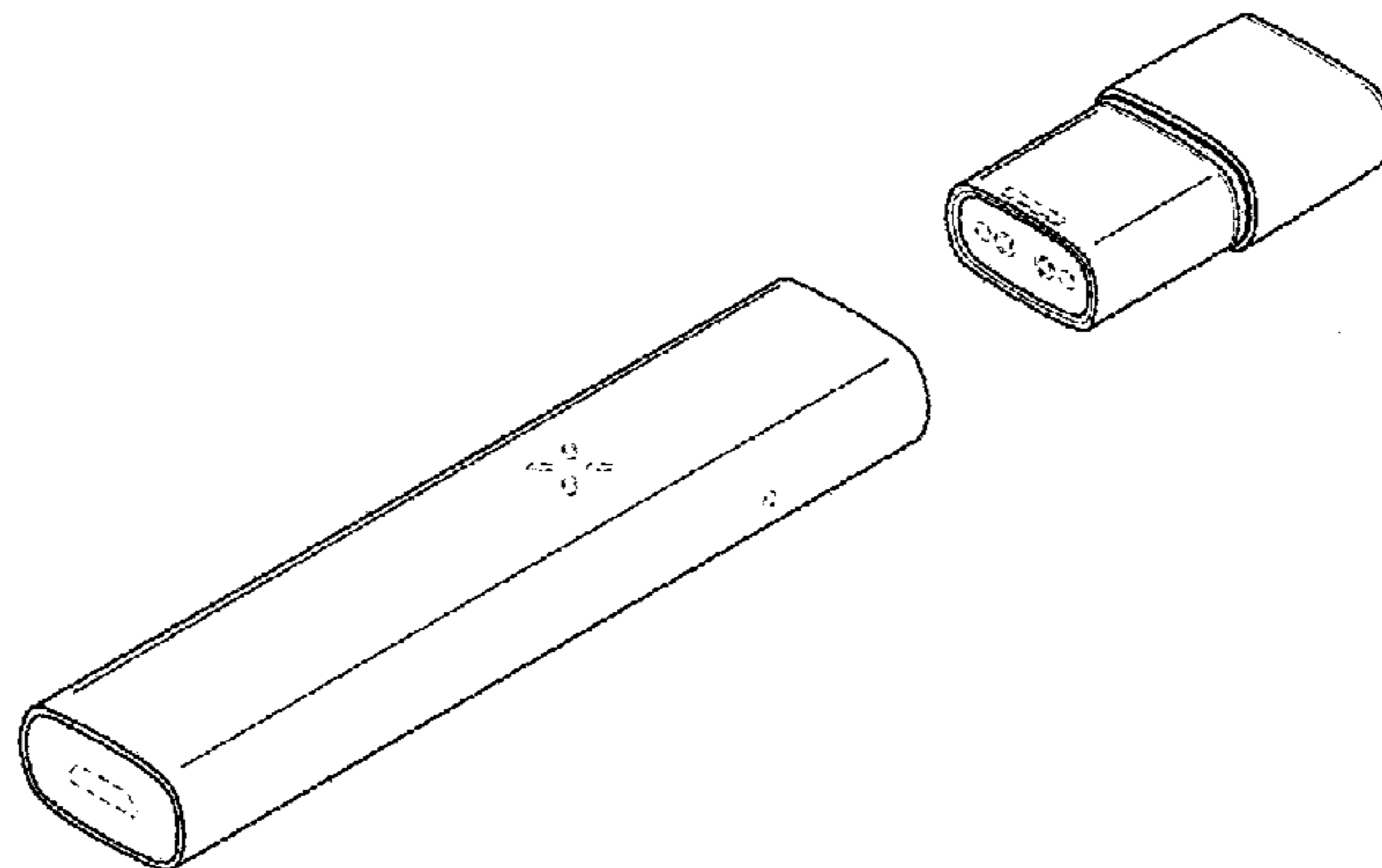
FIG. 18 shows an exploded side plan view thereof; the opposite exploded side plan view is substantially the same;

FIG. 19 shows an exploded rear plan view thereof;

FIG. 20 shows a bottom plan view thereof; and,

FIG. 21 shows a top plan view thereof.

(Continued)



The broken lines show portions of the vaporizer device that form no part of the claimed design.

**1 Claim, 13 Drawing Sheets
(7 of 13 Drawing Sheet(s) Filed in Color)**

(58) **Field of Classification Search**

USPC D27/172-194; D23/366; D13/103, 108,
D13/110; D9/452, 453, 454, 457;
D14/435.1

CPC A24F 1/30; A24F 5/04; A24F 9/00; A24F
47/002; A24F 47/008; A24F 7/00; A61M
15/0021; G06K 7/0004

See application file for complete search history.

(56) **References Cited**

U.S. PATENT DOCUMENTS

D401,215 S * 11/1998 Moskowitz D13/103
D405,413 S * 2/1999 Segers D13/103
D412,486 S * 8/1999 Gray D13/103
D446,499 S * 8/2001 Andre D13/110
D521,445 S * 5/2006 Liu D13/103
D532,776 S * 11/2006 Griffin D14/435.1
D532,927 S * 11/2006 Sann D27/101
D559,838 S * 1/2008 Yuba D14/230
D579,934 S * 11/2008 Okamoto D14/435.1
D611,944 S * 3/2010 Kujawski D14/435.1
D624,012 S * 9/2010 de Medeiros D13/103
D631,883 S * 2/2011 Maier D14/435.1
D631,885 S * 2/2011 Maier D14/435.1
D635,142 S * 3/2011 Borislow D14/435.1
D638,430 S * 5/2011 Lee D13/133
D643,807 S * 8/2011 Jiang D13/103
D645,817 S * 9/2011 Sasada D13/108
D648,726 S * 11/2011 Behar D14/435.1
D651,211 S * 12/2011 Lee D13/133
D655,708 S * 3/2012 Frank D14/435.1
D665,734 S * 8/2012 Fitch D13/107
D666,144 S * 8/2012 Brand D13/103
D669,899 S * 10/2012 Cheng D14/435.1
D672,351 S * 12/2012 Camacho D14/435.1

D675,777 S * 2/2013 Wu D27/101
D676,810 S * 2/2013 Smith D13/110
D680,263 S * 4/2013 Braley D27/181
D686,987 S * 7/2013 Vanstone D13/108
D697,029 S * 1/2014 Chiu D13/110
D700,136 S * 2/2014 Morris D13/103
D700,372 S * 2/2014 Altman D14/435.1
D703,680 S * 4/2014 Lin D14/480.1
D708,571 S * 7/2014 Ji D13/103
D709,823 S * 7/2014 Corley D13/103
D712,347 S * 9/2014 Awiszus D13/103
D714,728 S * 10/2014 Gentil D13/147
D725,124 S * 3/2015 Lin D14/480.6
D734,259 S * 7/2015 Cepress D13/110
D743,335 S * 11/2015 Chang D13/110
D743,401 S * 11/2015 Shimano D14/435.1
D744,419 S * 12/2015 Bowen D13/108
D750,320 S * 2/2016 Verleur A24F 47/008
D27/101
D750,321 S * 2/2016 Chen D27/194
D762,003 S * 7/2016 Lomeli D27/163
D768,920 S * 10/2016 Jones D27/189
D770,456 S * 11/2016 Akana D14/433
D773,115 S * 11/2016 Liu D27/167
D774,035 S * 12/2016 Kao D14/435.1
D776,338 S * 1/2017 Lomeli D27/163
D776,869 S * 1/2017 Heidl D27/163
D780,183 S * 2/2017 Ferguson D14/435.1
D786,497 S * 5/2017 Sudlow D27/162
D790,465 S * 6/2017 Zhao D13/110
D792,643 S * 7/2017 Wong D27/101
D797,043 S * 9/2017 Akana D13/103
D798,307 S * 9/2017 Otsuka D14/480.1
D799,110 S * 10/2017 Qiu D27/101
D800,132 S * 10/2017 Maus D14/435.1
D802,838 S * 11/2017 Clark D27/189
D808,073 S * 1/2018 Leidel D27/162
D811,003 S * 2/2018 Folyan D27/101
D825,834 S * 8/2018 Chen D27/101
D827,195 S * 8/2018 Chen D27/101
D829,371 S * 9/2018 Durand D27/101
D829,980 S * 10/2018 Qiu D27/162
2007/0229025 A1 * 10/2007 Tsai H01R 13/2442
320/111
2016/0345626 A1 * 12/2016 Wong A24F 47/008

* cited by examiner

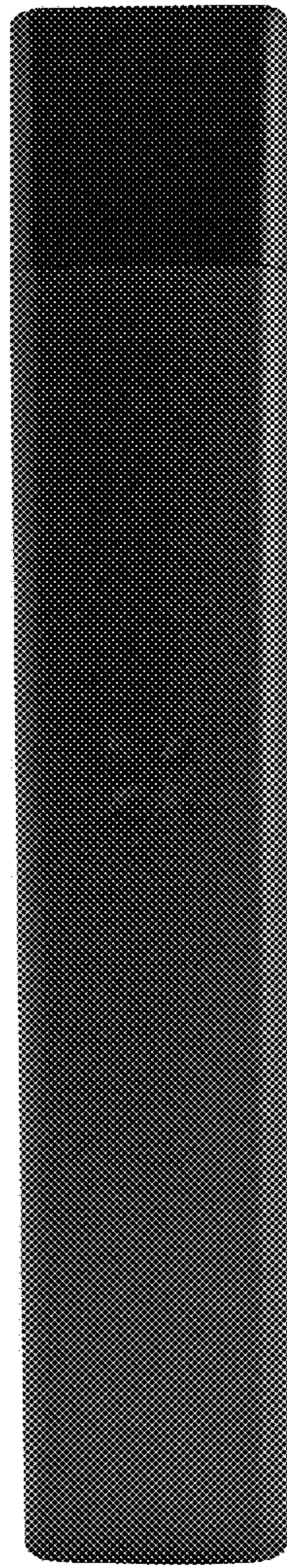


FIG. 1

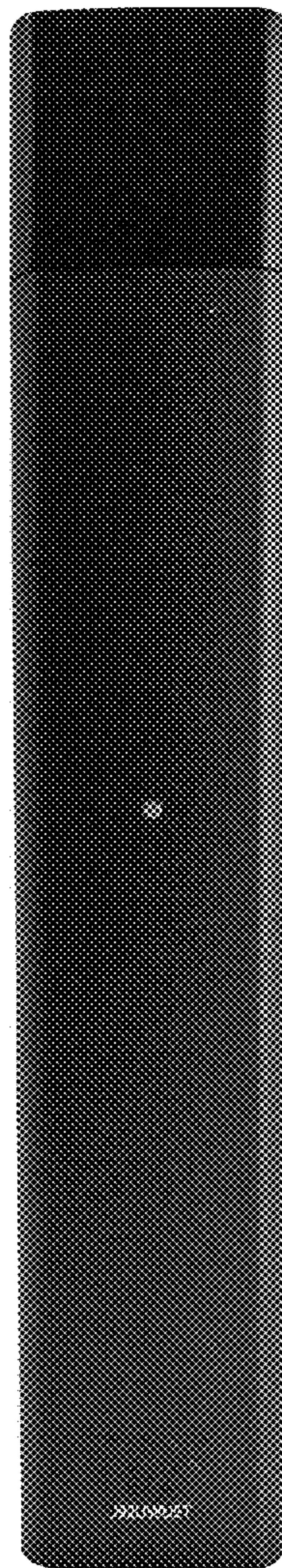


FIG. 2

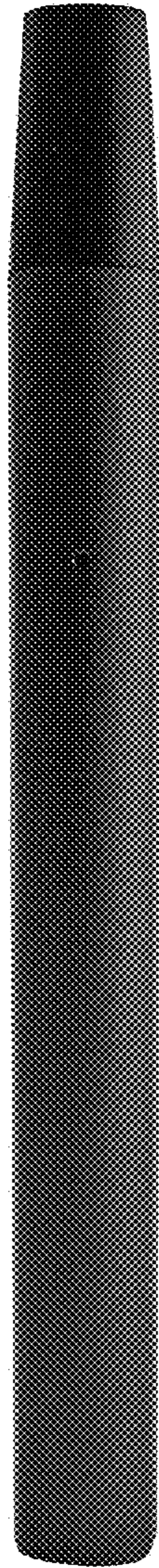


FIG. 3

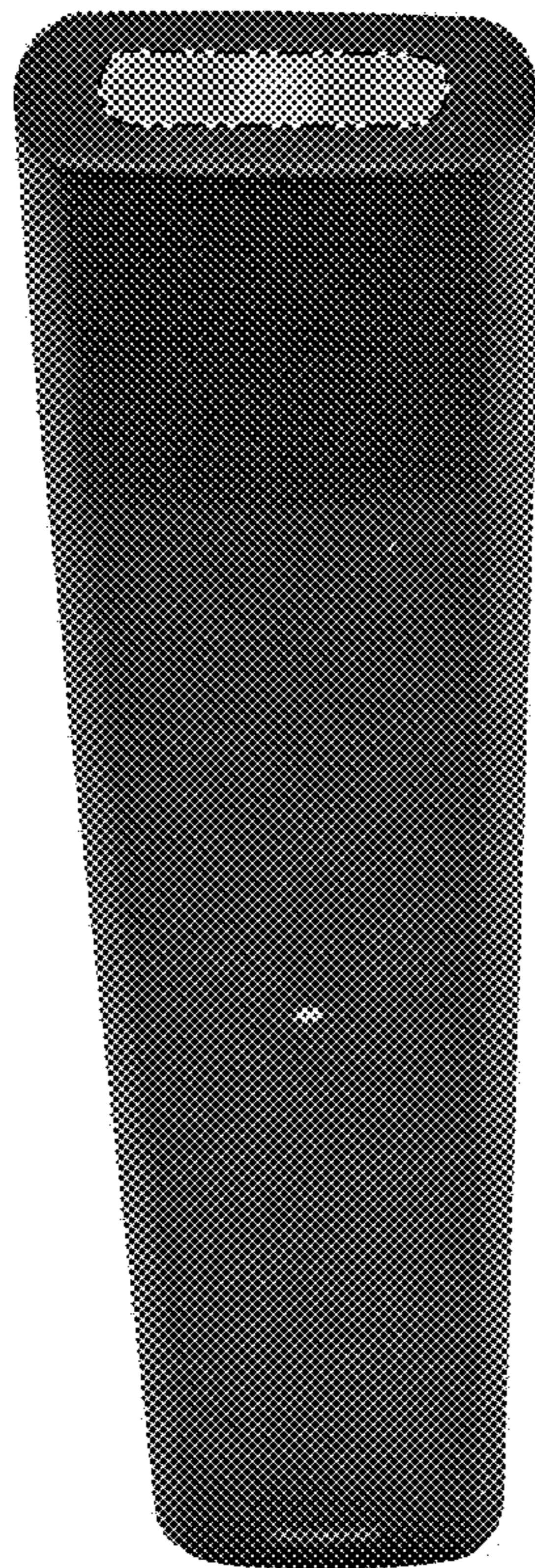


FIG. 4

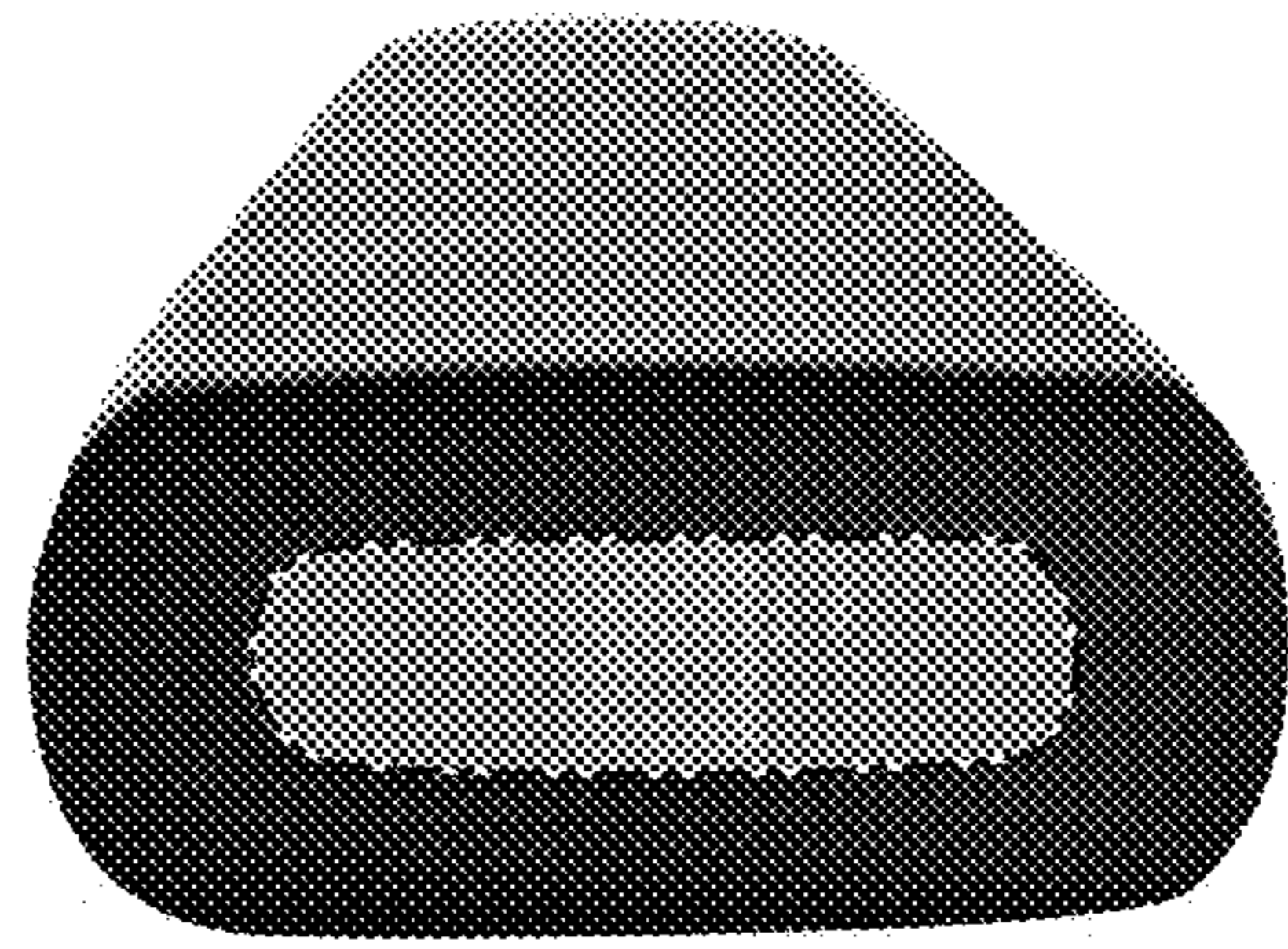


FIG. 5

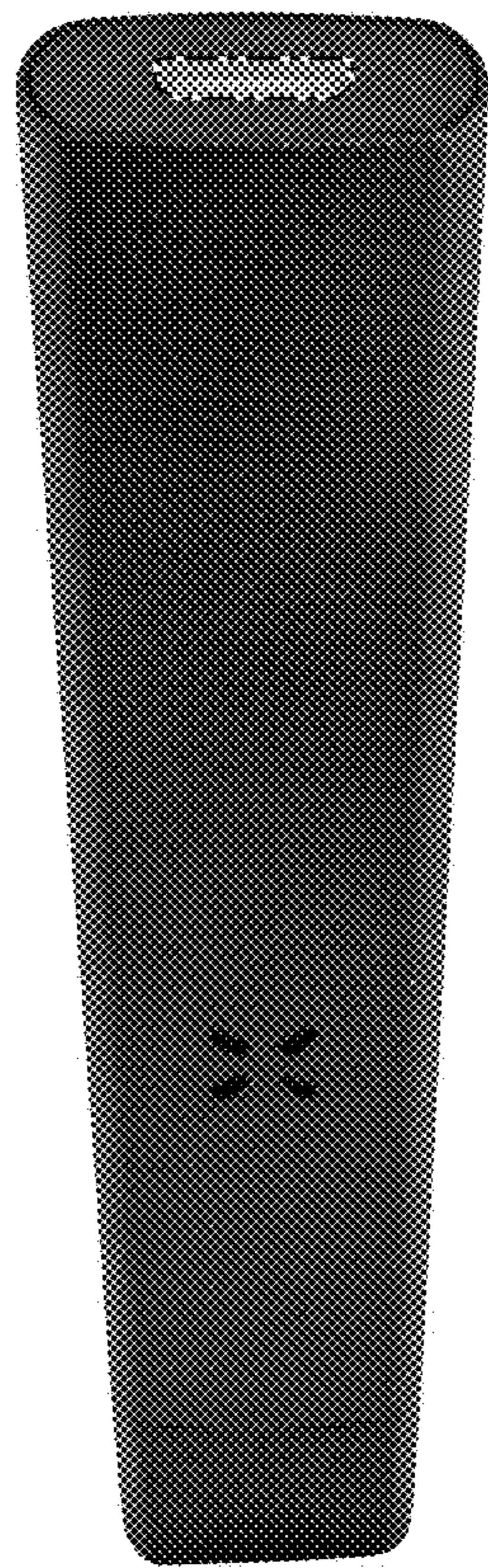


FIG. 6

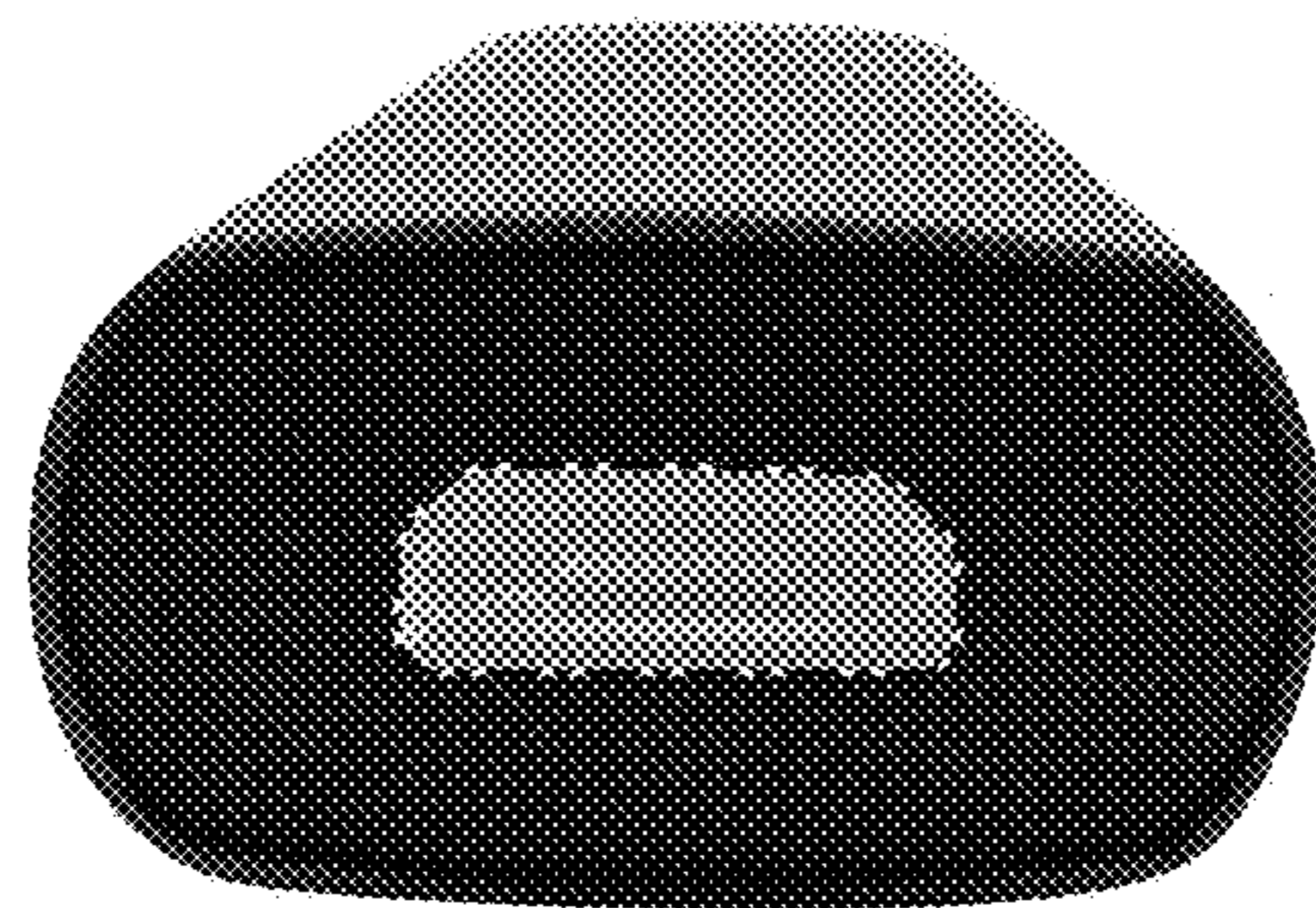


FIG. 7

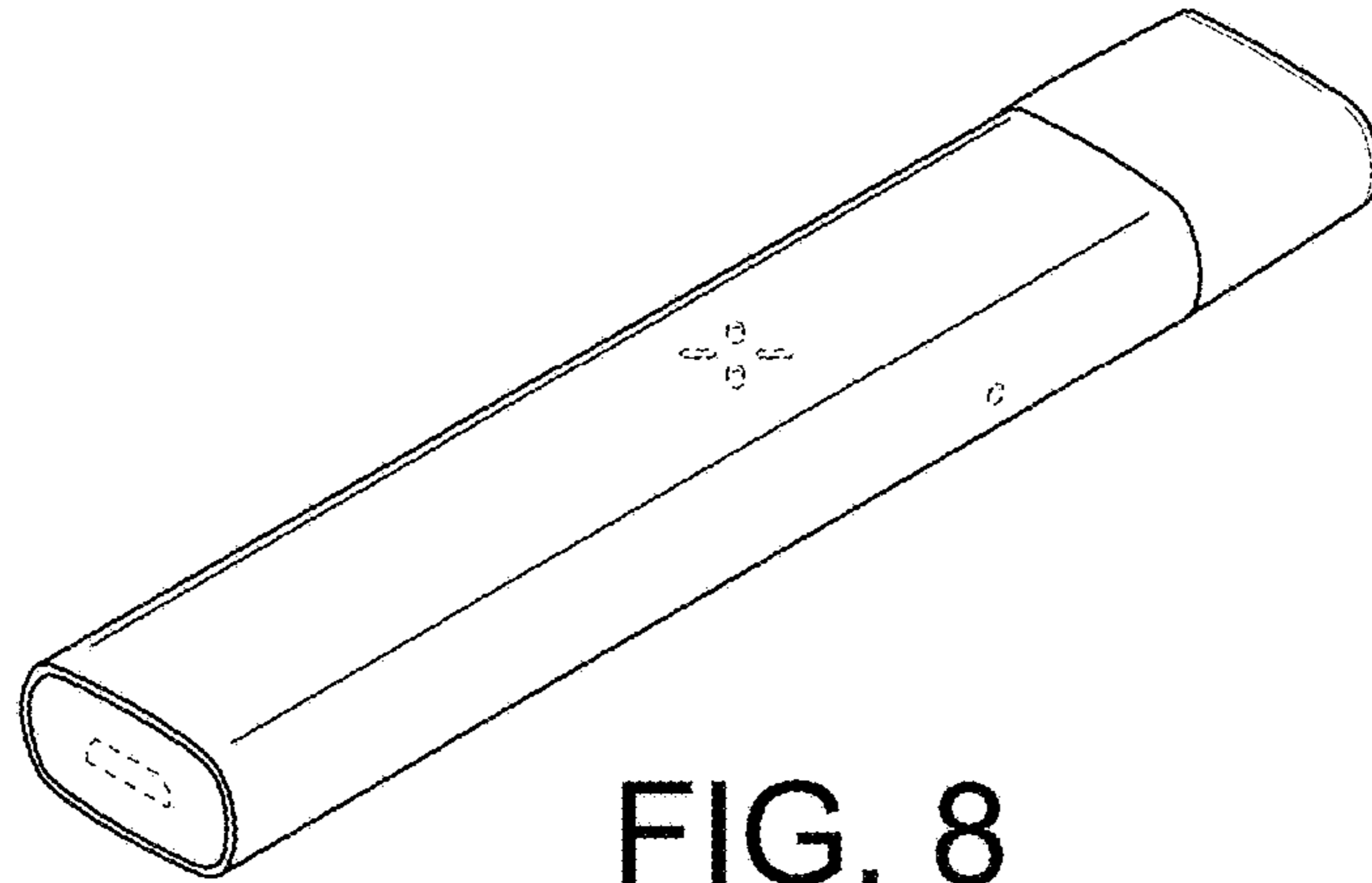


FIG. 8

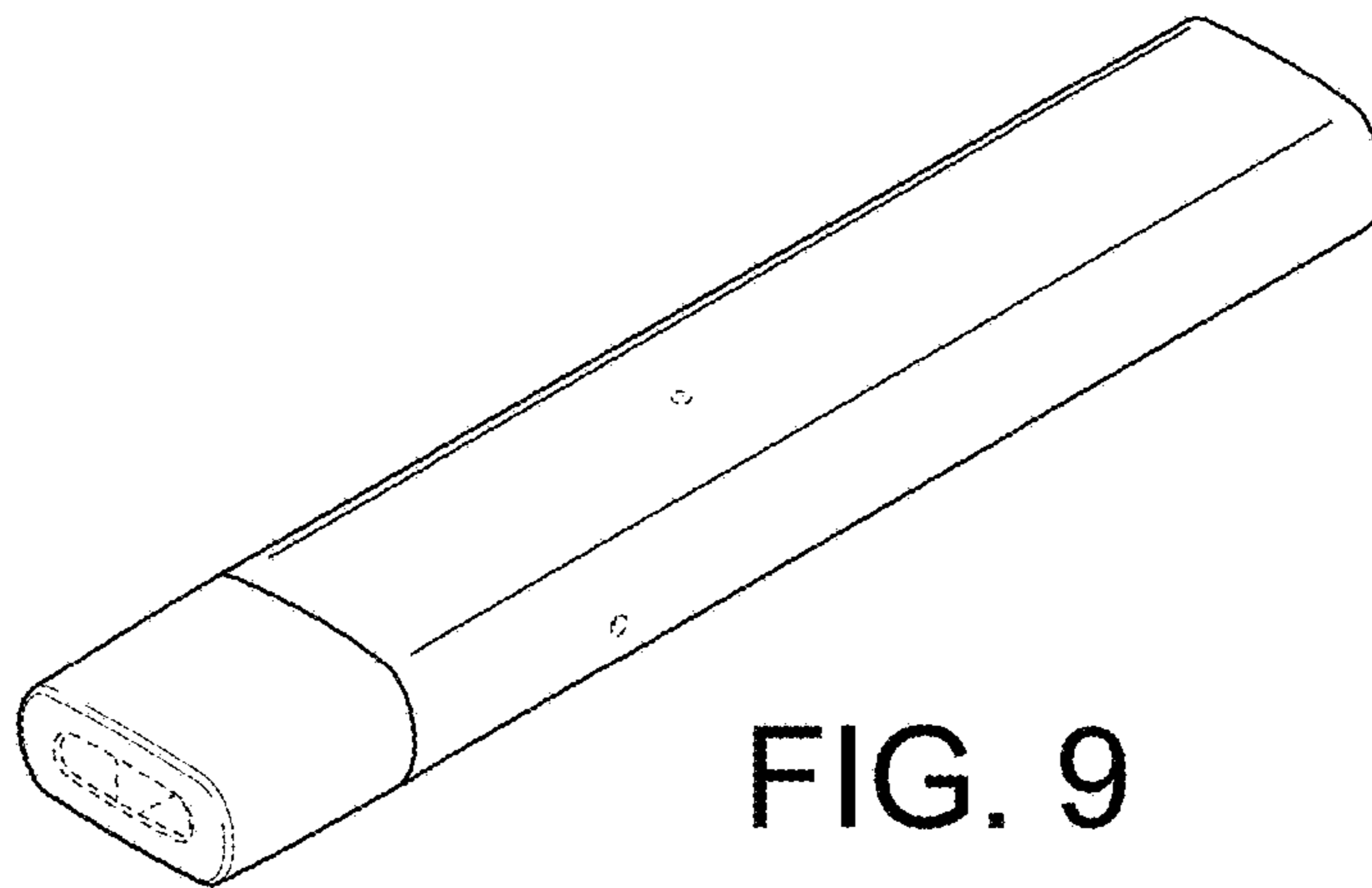


FIG. 9

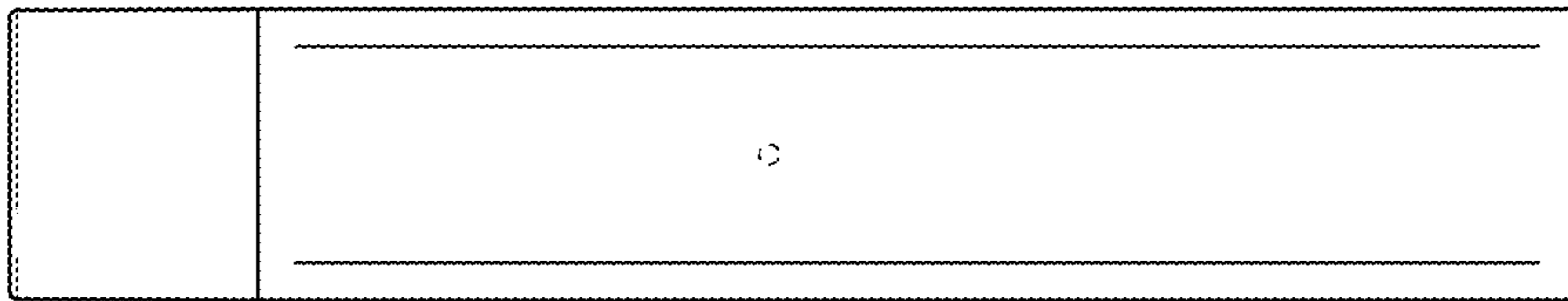


FIG. 10



FIG. 11

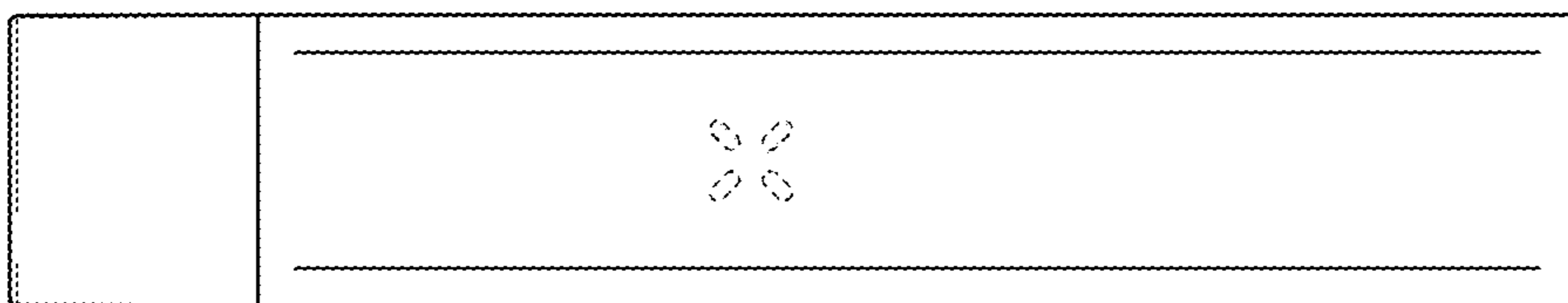


FIG. 12

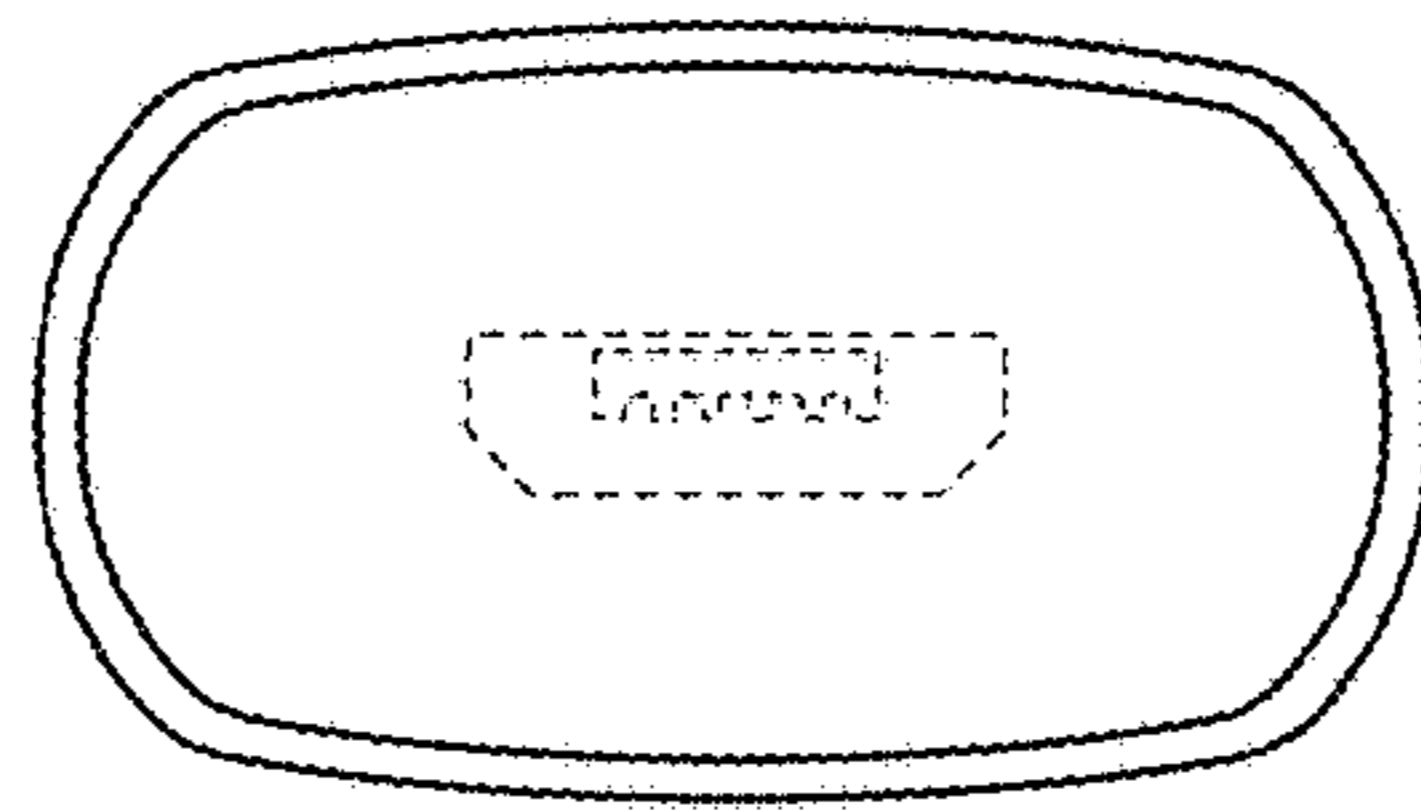


FIG. 13

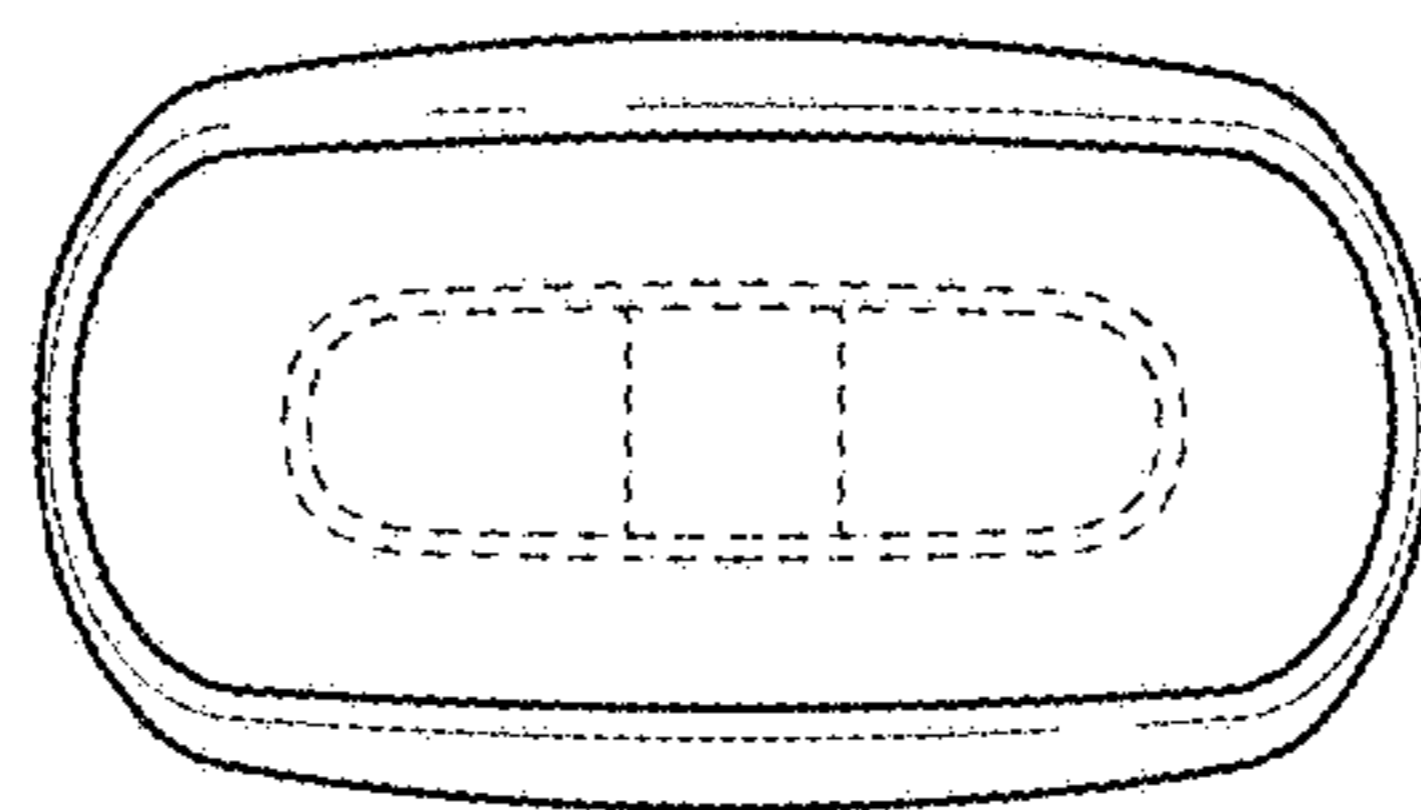


FIG. 14

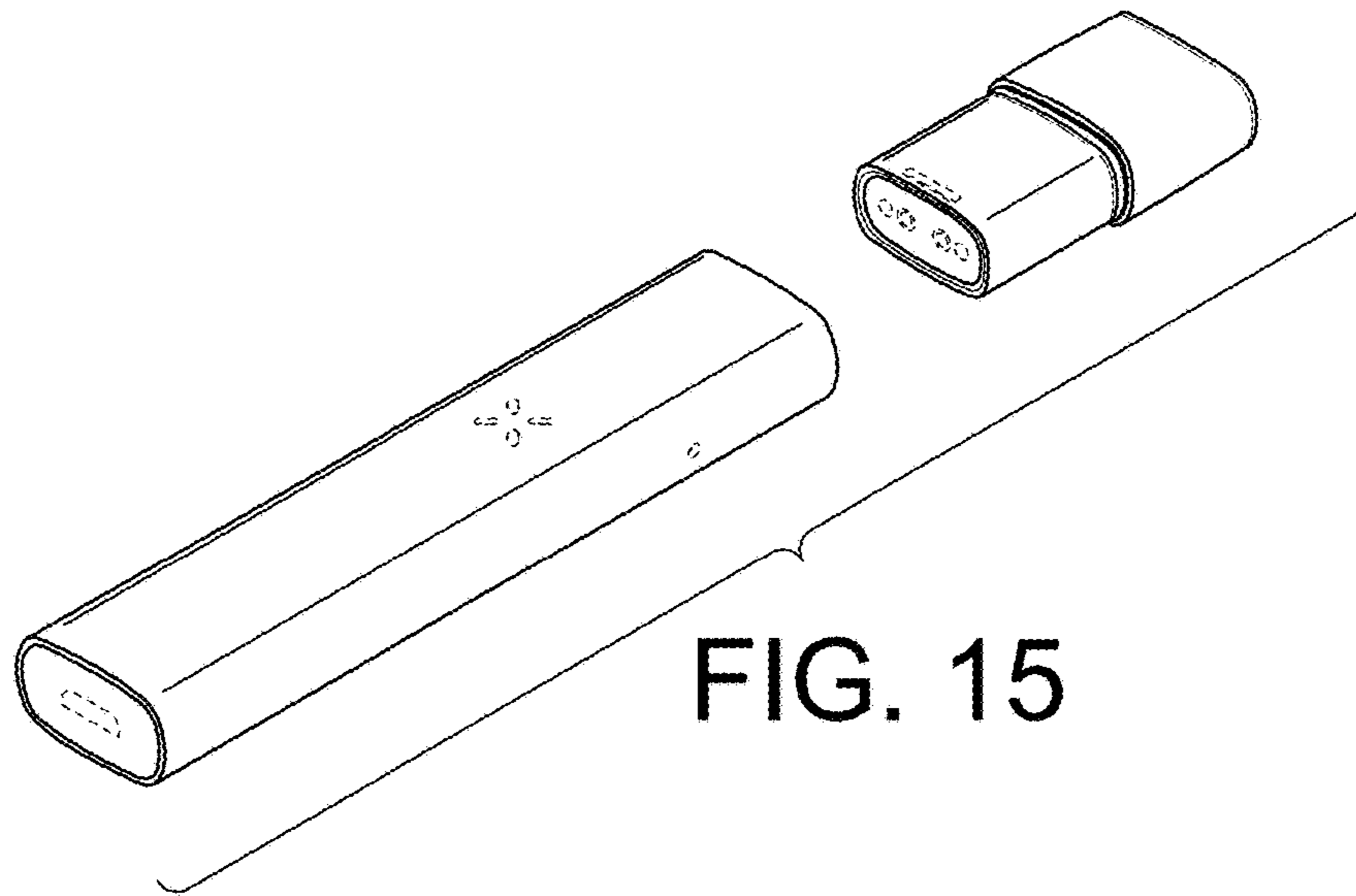


FIG. 15

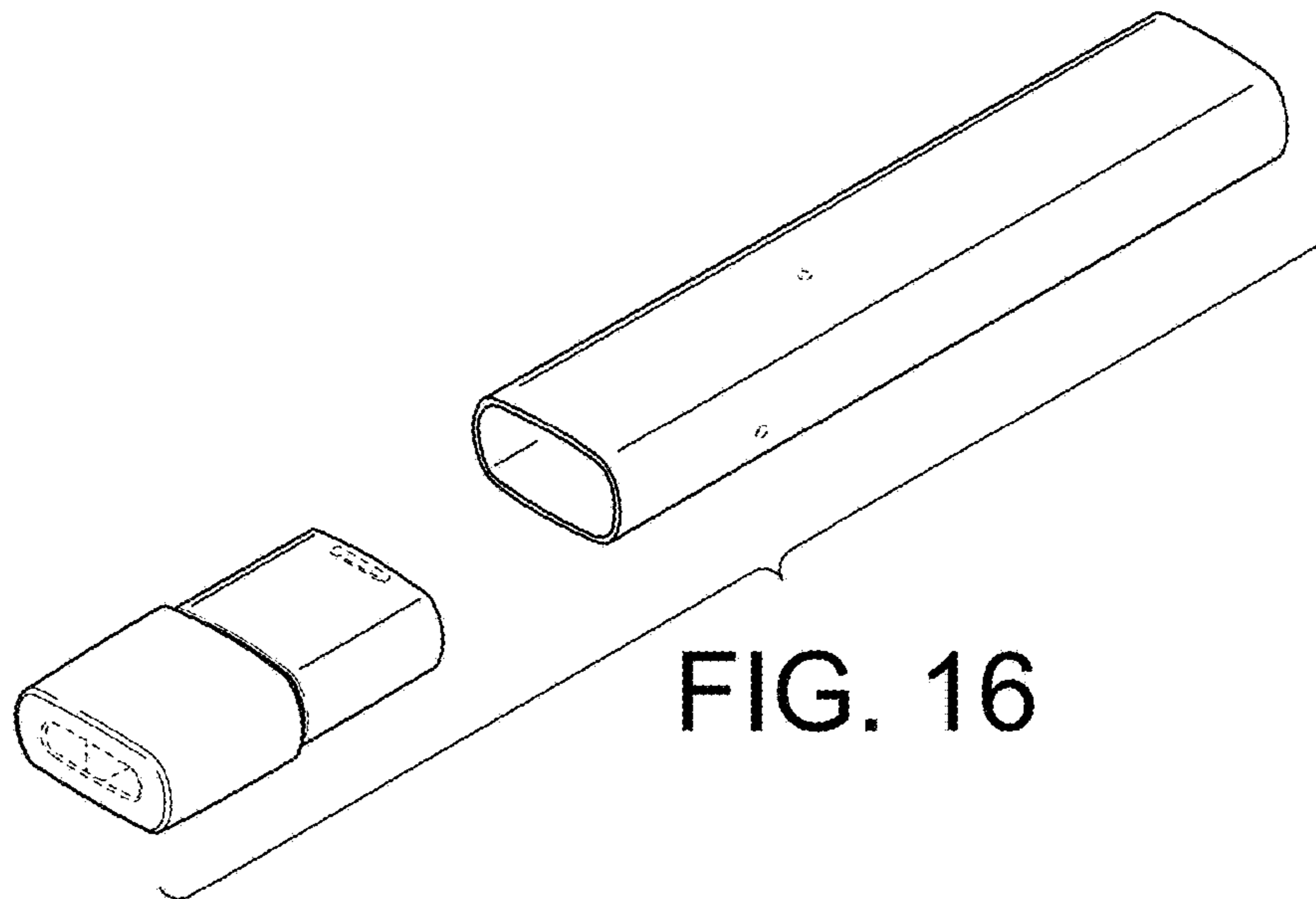


FIG. 16

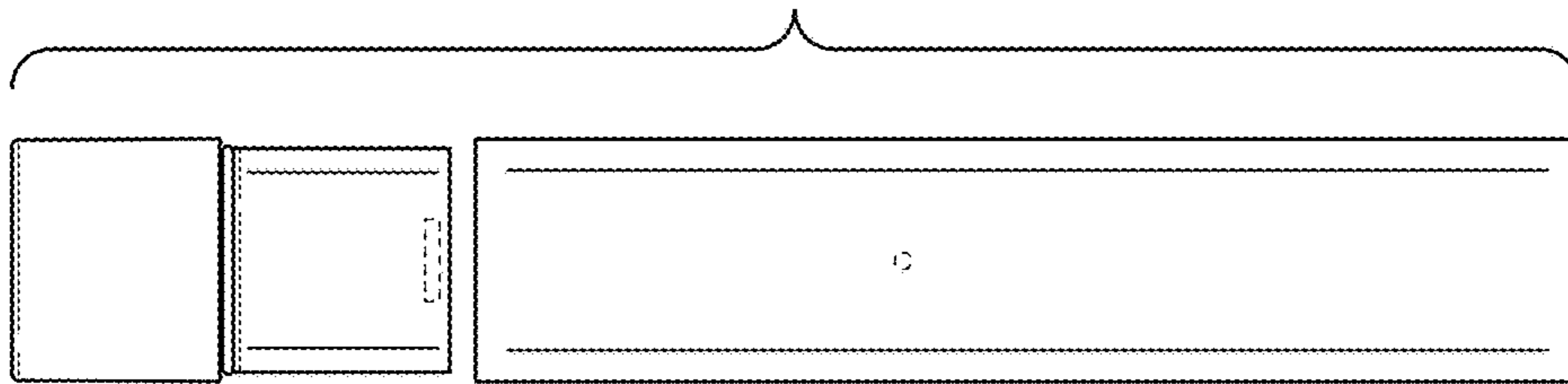


FIG. 17

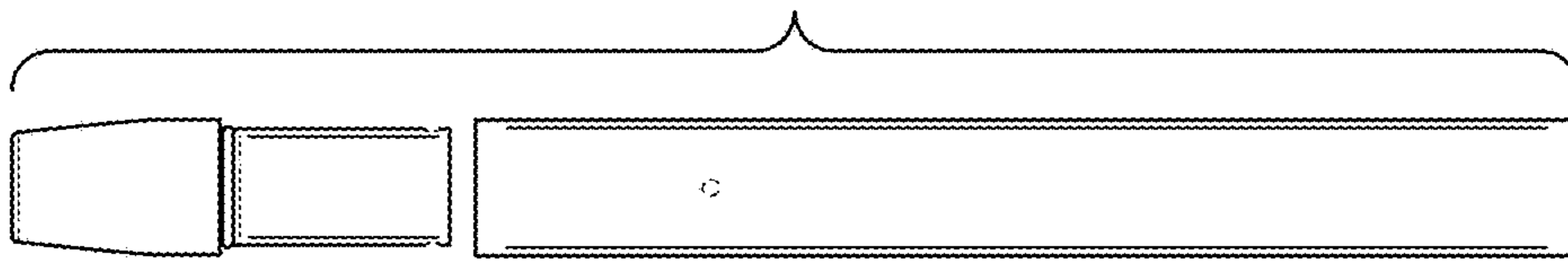


FIG. 18

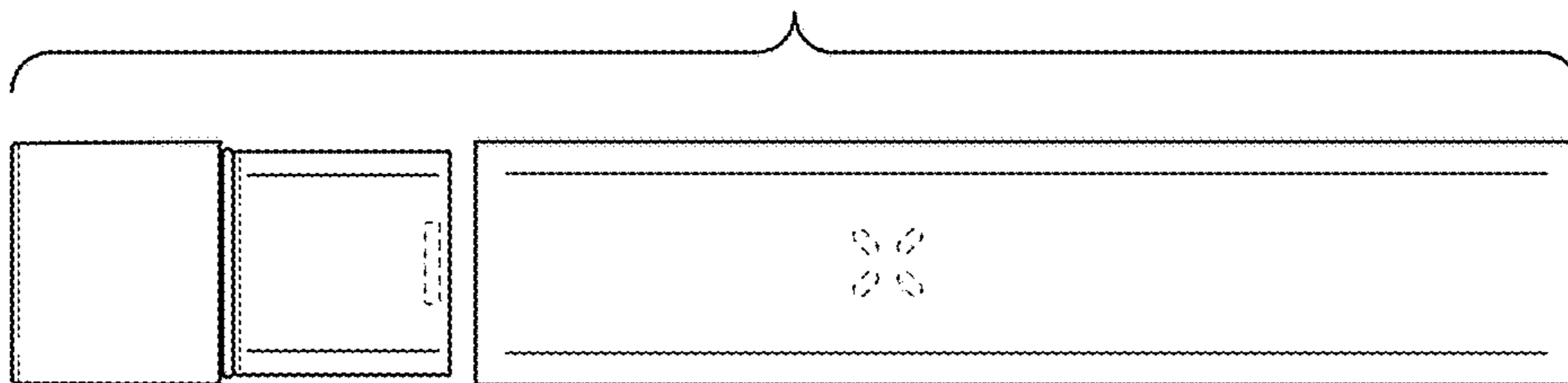


FIG. 19

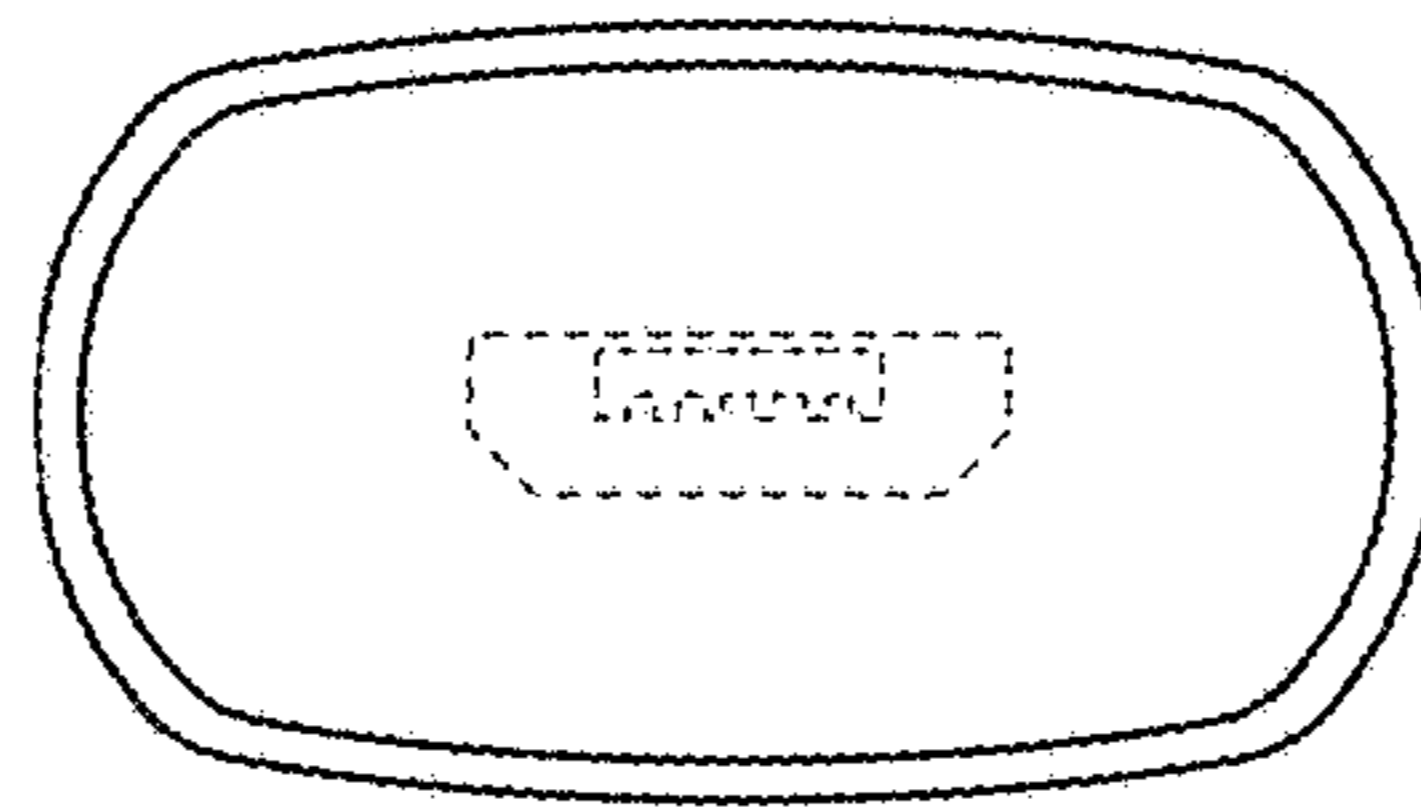


FIG. 20

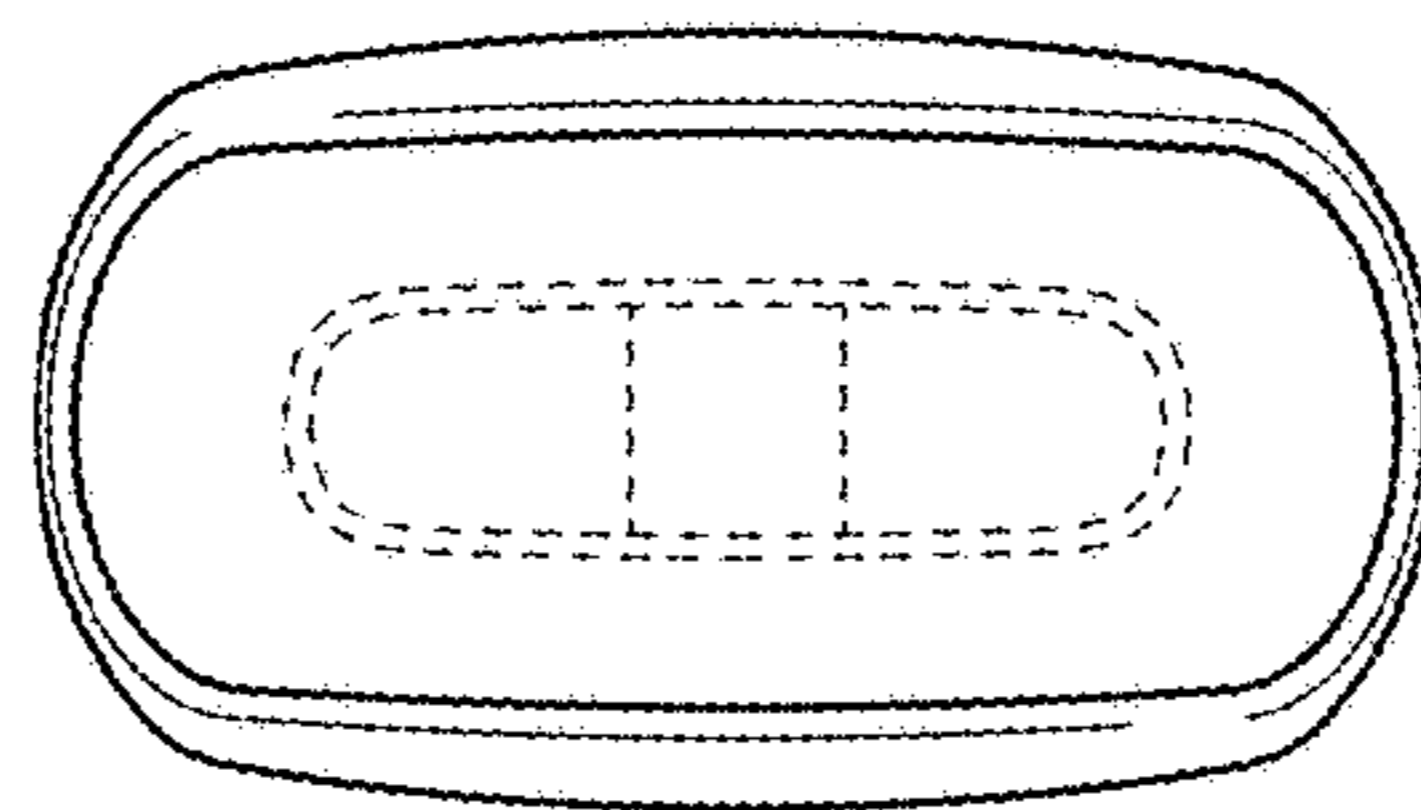


FIG. 21