



US00D870958S

(12) **United States Design Patent** (10) **Patent No.:** **US D870,958 S**
Park (45) **Date of Patent:** **** Dec. 24, 2019**

(54) **LIGHTER**
(71) Applicant: **Keith K. Park**, La Canada Flintridge, CA (US)
(72) Inventor: **Keith K. Park**, La Canada Flintridge, CA (US)
(73) Assignee: **Prometheus International, Inc.**, Commerce, CA (US)

D464,464 S 10/2002 Park
D466,643 S * 12/2002 Harel D27/141
D475,803 S 6/2003 Park
D484,640 S 12/2003 Park
D489,479 S * 5/2004 Chuang D27/157
D499,508 S 12/2004 Park
D503,493 S 3/2005 Park
D529,226 S 9/2006 Park
D529,660 S 10/2006 Park
D536,480 S 2/2007 Park
D538,972 S * 3/2007 Smith D27/157
D539,975 S 4/2007 Park

(**) Term: **15 Years**

(21) Appl. No.: **29/650,454**
(22) Filed: **Jun. 6, 2018**
(51) **LOC (12) Cl.** **27-05**
(52) **U.S. Cl.**
USPC **D27/160**
(58) **Field of Classification Search**
USPC D27/141, 139, 140, 142-144, 147, 160,
D27/153-157; 431/344, 350, 353,
431/273-277
CPC F23Q 2/00; F23Q 2/02; F23Q 2/16; F23Q
2/161; F23Q 2/162; F23Q 2/164; F23Q
2/167; F23Q 7/00; F23Q 7/14; F23Q
7/16; F23Q 7/24; F23Q 7/10
See application file for complete search history.

OTHER PUBLICATIONS

2011 Limited Edition Prometheus, online, site visited Nov. 28, 2012, available from internet, <http://www.prometheuskp.com/products/lighters/torch/magmaretroultimo-gof2011.htm>.

(Continued)

Primary Examiner — Susan Bennett Hattan
Assistant Examiner — Rebecca Tsehaye
(74) *Attorney, Agent, or Firm* — Knobbe, Martens, Olson & Bear, LLP

(57) **CLAIM**

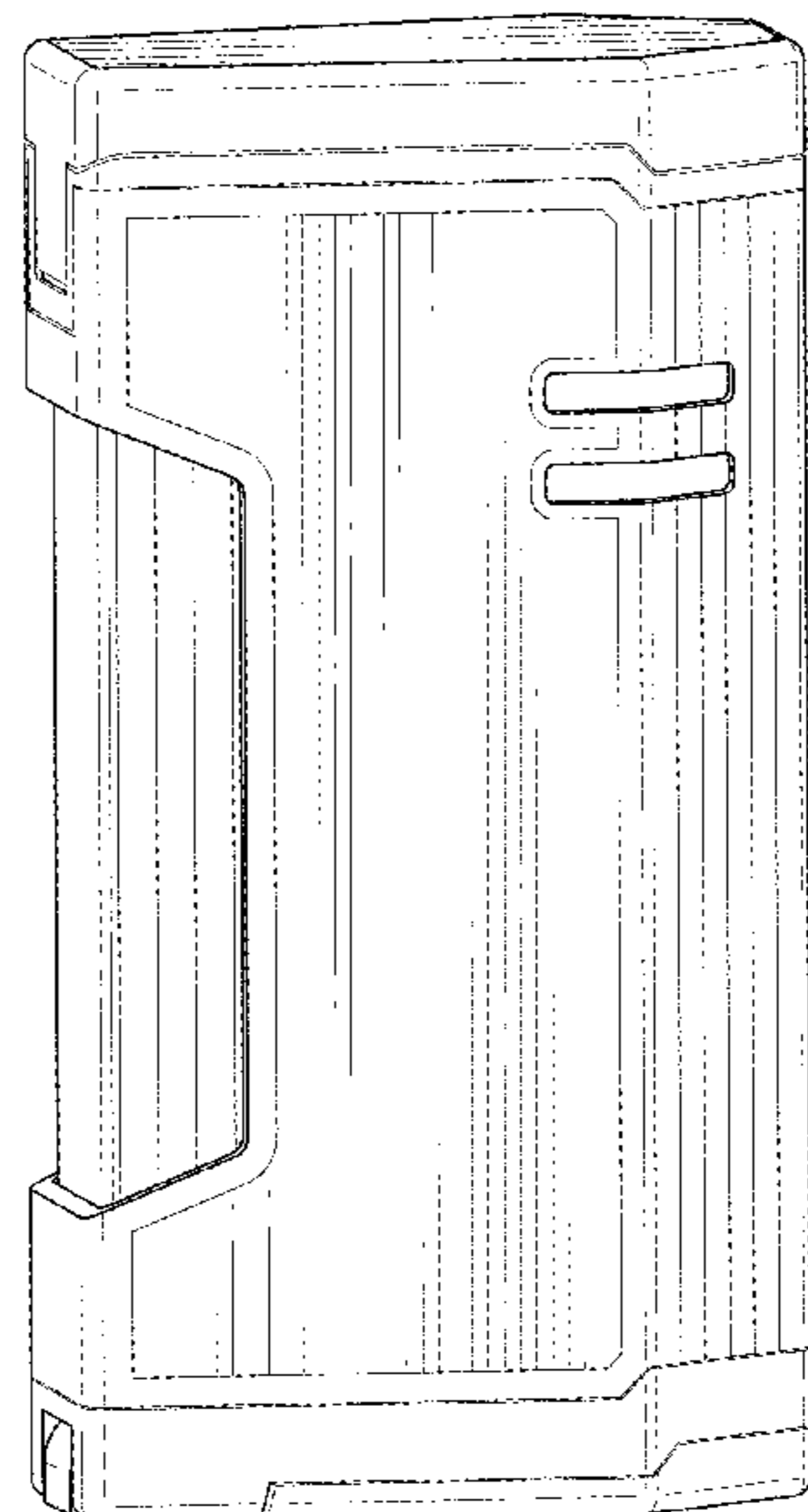
The ornamental design for a lighter, as shown and described.

DESCRIPTION

FIG. 1 is a front perspective view of the lighter of the present design;
FIG. 2 is a front elevational view thereof;
FIG. 3 is a rear elevational view thereof;
FIG. 4 is a left side elevational view thereof;
FIG. 5 is a right side elevational view thereof;
FIG. 6 is a top plan view thereof; and,
FIG. 7 is a bottom plan view thereof.
The broken lines in the drawings illustrate portions of the lighter that form no part of the claimed design.

(56) **References Cited**
U.S. PATENT DOCUMENTS
D80,180 S 12/1929 Lederer
D397,500 S 8/1998 Cohen Harel
D428,193 S 7/2000 Chen
D454,222 S 3/2002 Park
D454,223 S 3/2002 Park
D454,224 S 3/2002 Park
D458,706 S 6/2002 Park
D459,834 S 7/2002 Park
D460,211 S 7/2002 Park
D463,617 S 9/2002 Park

1 Claim, 5 Drawing Sheets



(56)

References Cited

U.S. PATENT DOCUMENTS

D550,897	S	9/2007	Smith	
D551,800	S	* 9/2007	Smith D27/157
D552,298	S	* 10/2007	Smith D27/157
D553,792	S	10/2007	Smith	
D581,093	S	11/2008	Smith	
D605,350	S	12/2009	Smith	
D617,042	S	6/2010	Wong	
D622,902	S	8/2010	An	
D634,889	S	3/2011	Park	
D636,930	S	4/2011	Park	
D664,710	S	7/2012	Van Keppel et al.	
D681,875	S	5/2013	Park	
D693,962	S	* 11/2013	Park D27/141
D717,488	S	* 11/2014	Martin D27/141
D742,063	S	* 10/2015	Recio D27/141
D754,913	S	* 4/2016	Almsberger D27/152
D818,637	S	* 5/2018	Ringel D27/141
D843,645	S	* 3/2019	Mucaro D27/141

OTHER PUBLICATIONS

Prometheus Fall 2015 Catalog, in 46 pages, 2015.

* cited by examiner

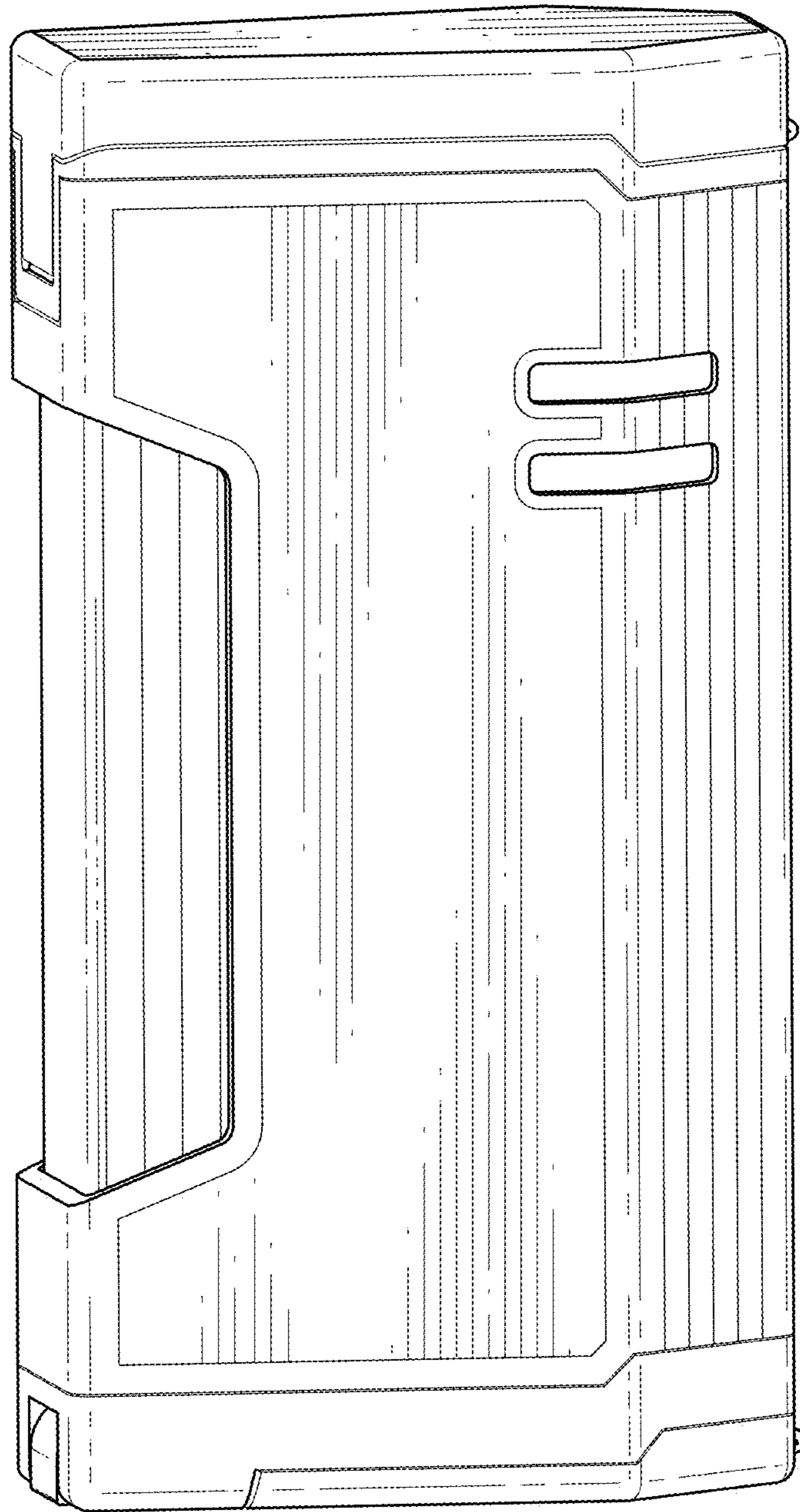


FIG. 1

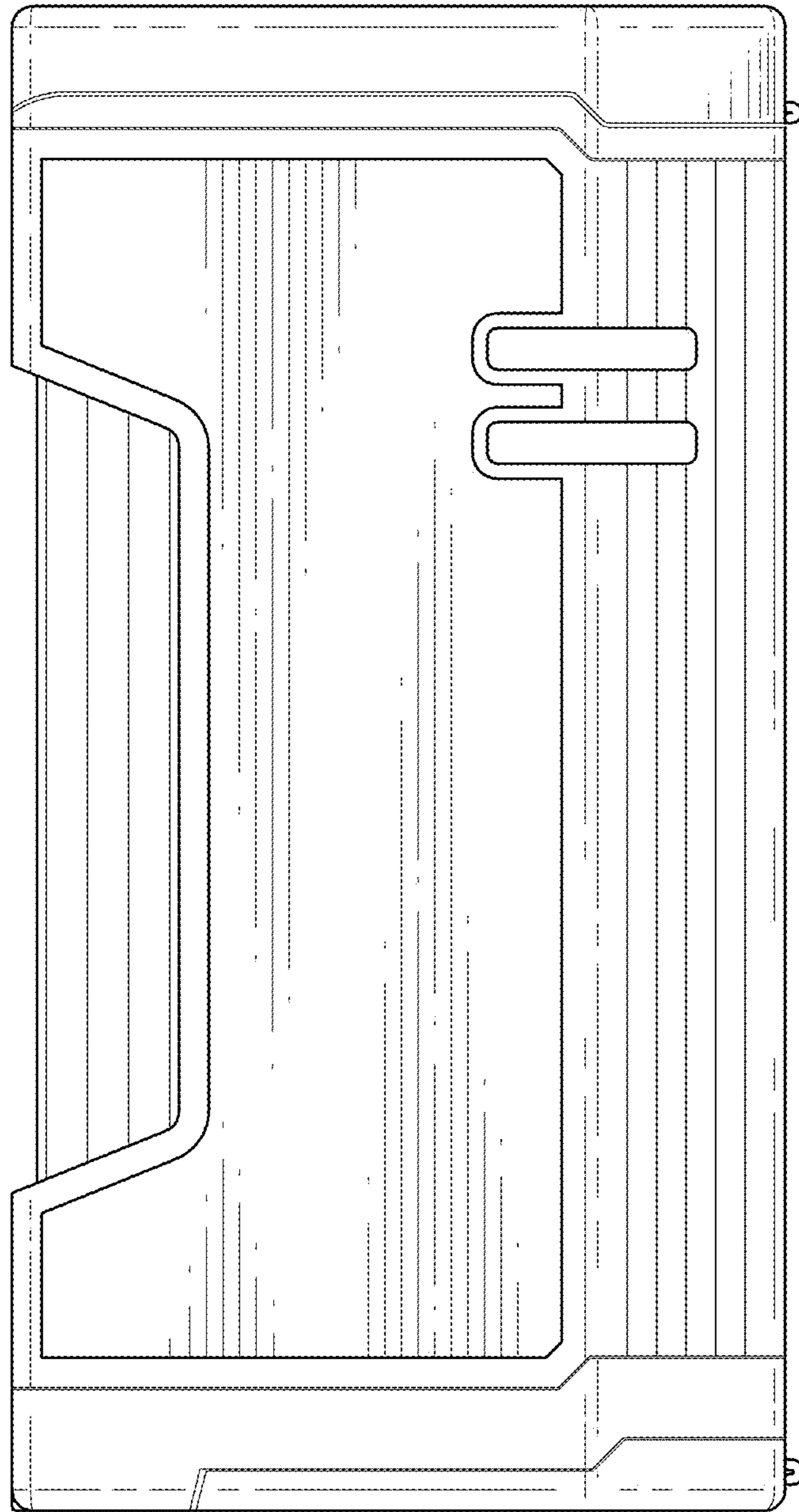


FIG. 2

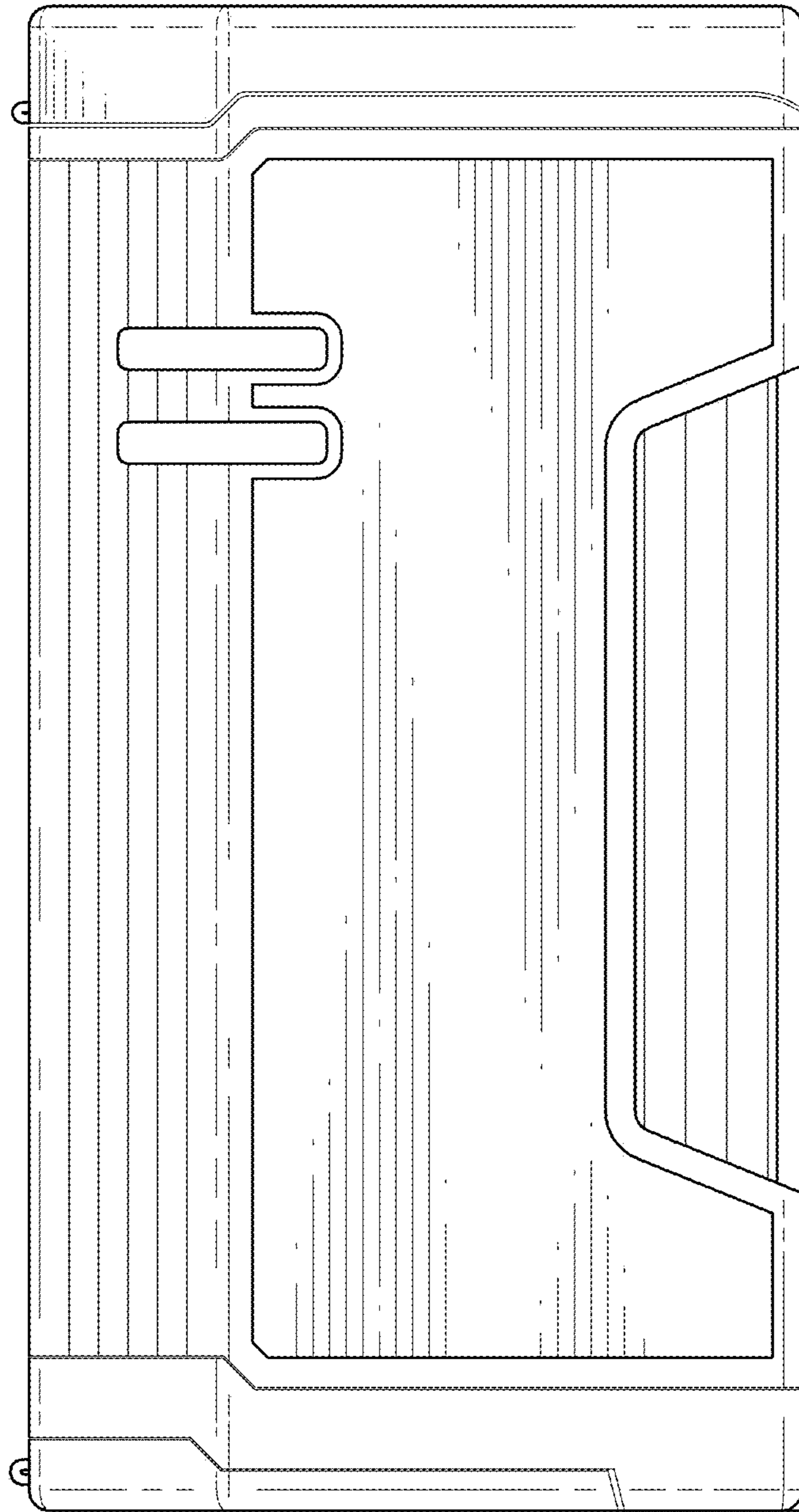


FIG. 3

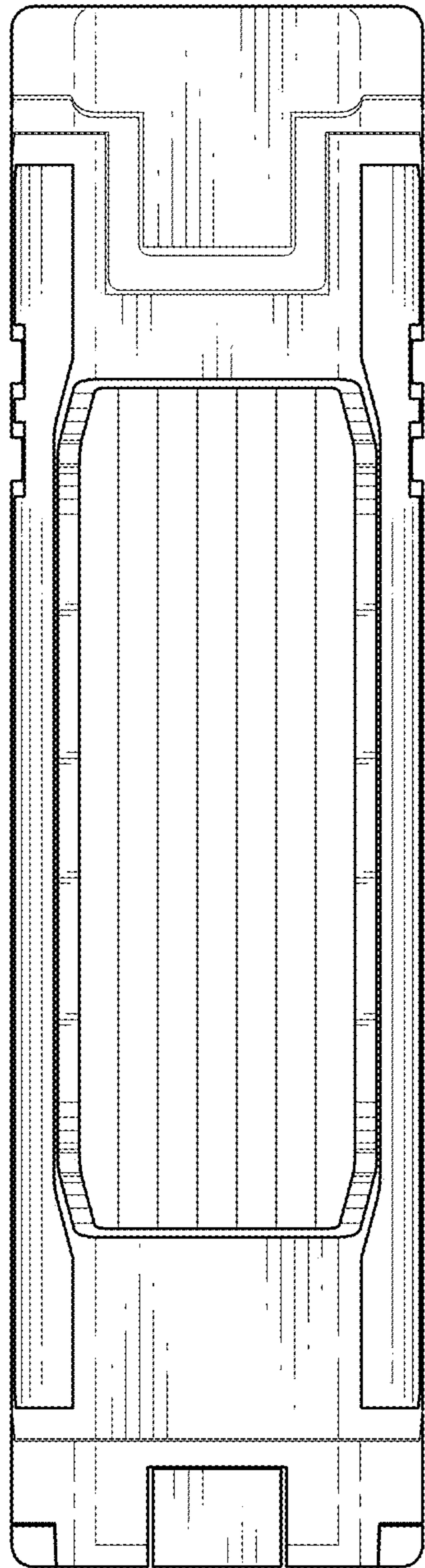


FIG. 4

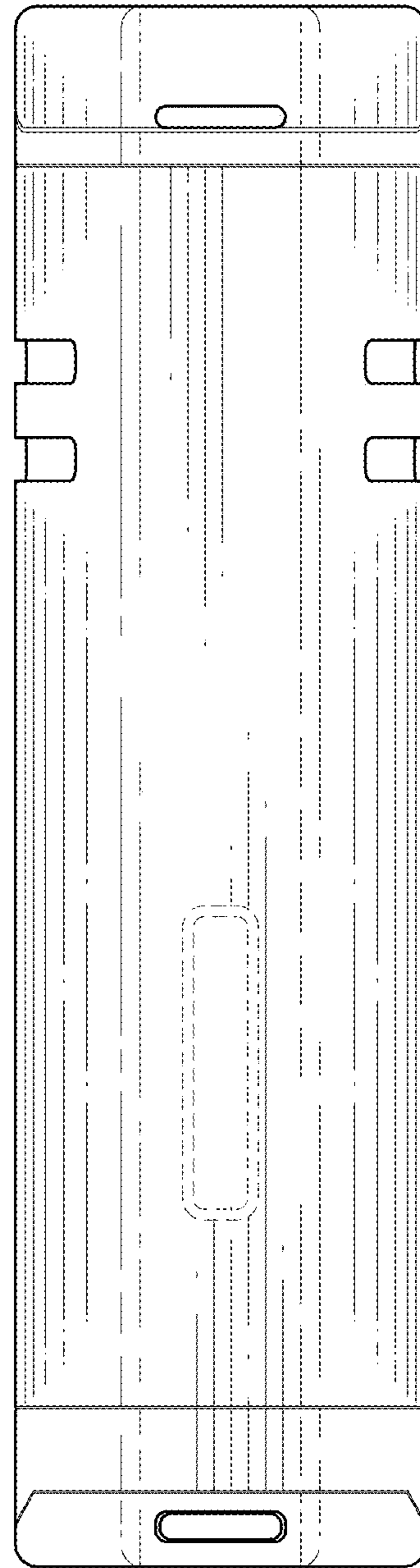


FIG. 5

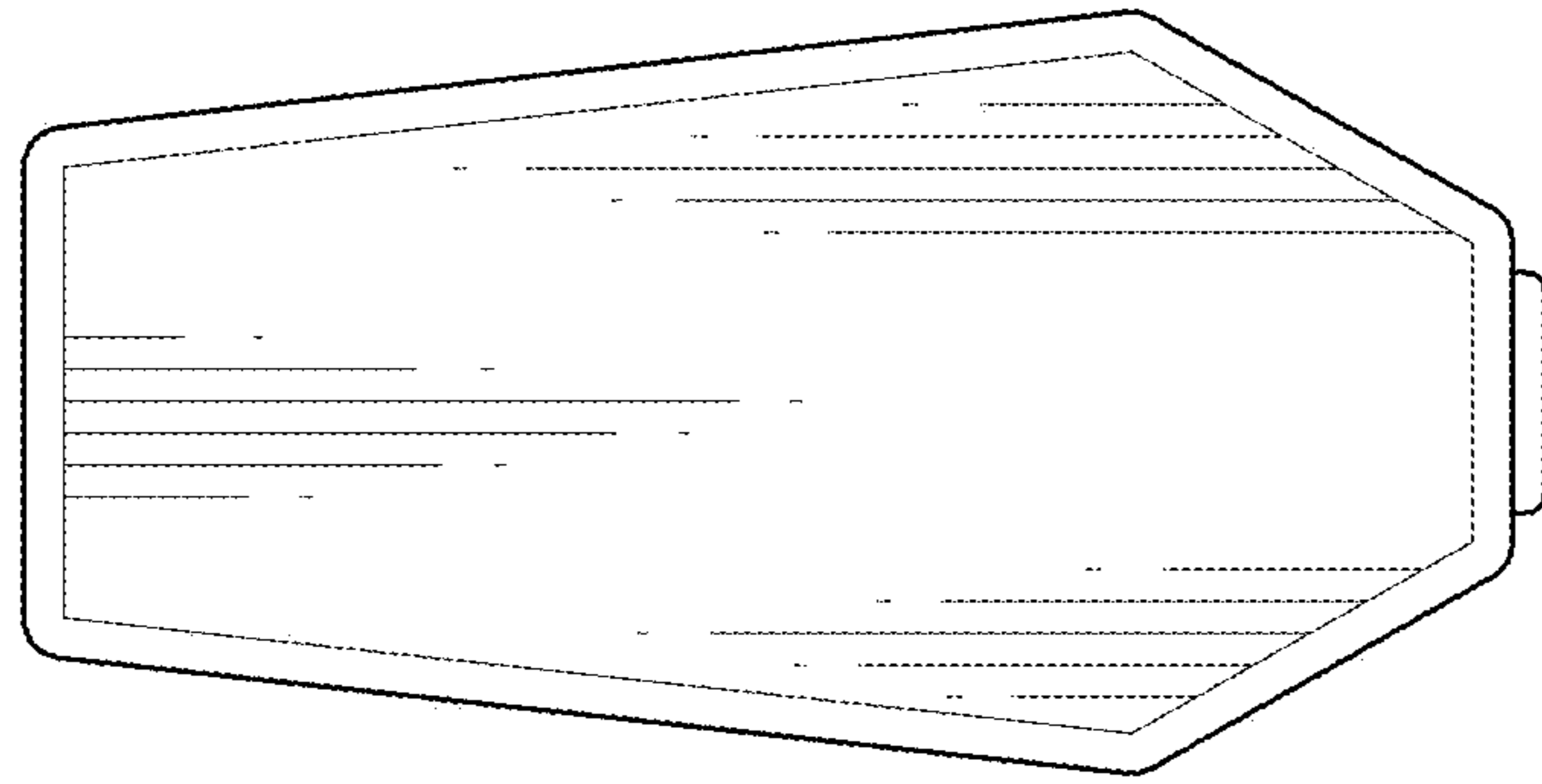


FIG. 6

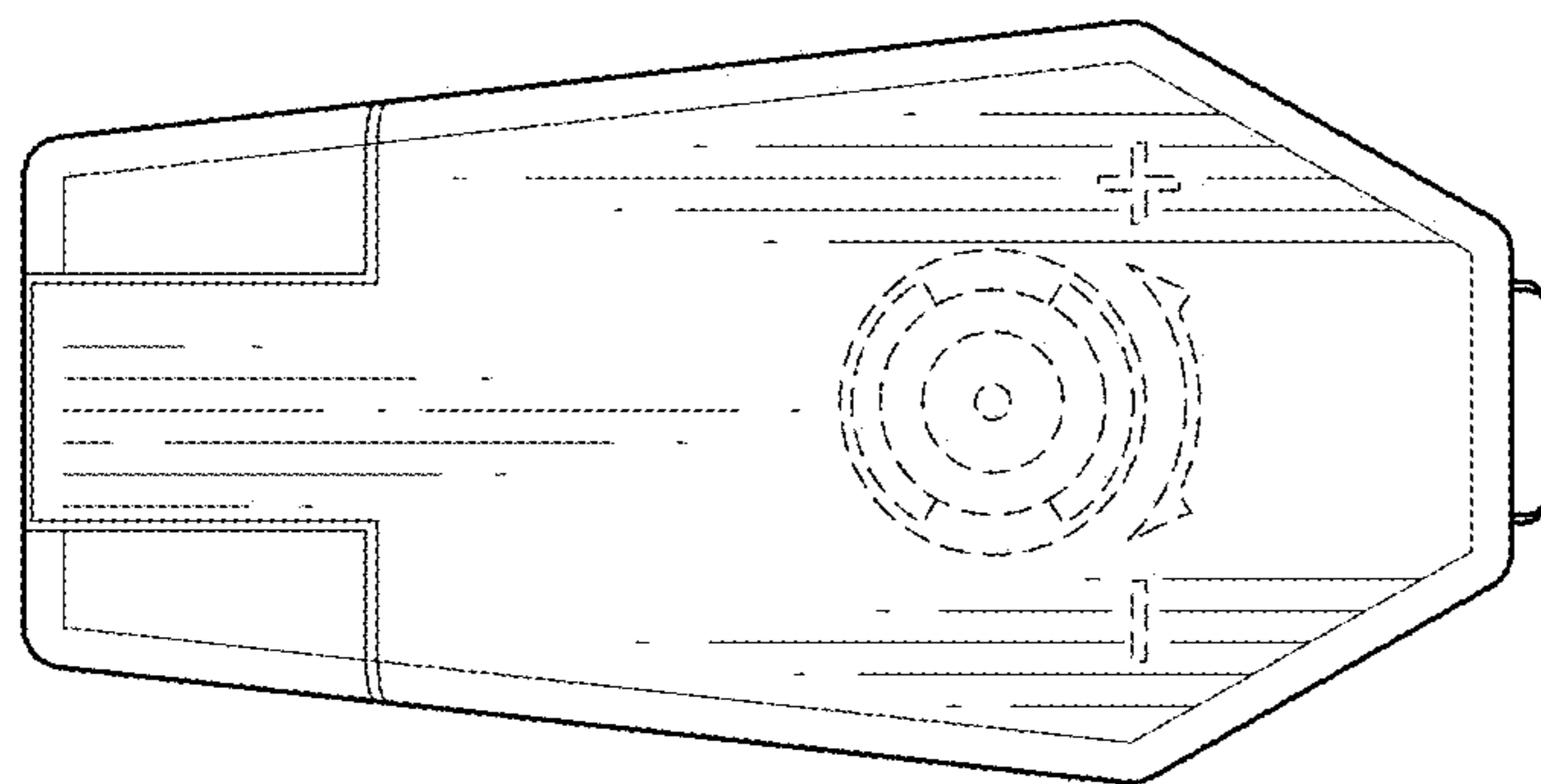


FIG. 7