



US00D870956S

(12) **United States Design Patent** (10) **Patent No.:** **US D870,956 S**
Mier-Langner et al. (45) **Date of Patent:** **** Dec. 24, 2019**

(54) **LUMINAIRE**
(71) Applicant: **AXIS LIGHTING INC.**, Lasalle (CA)
(72) Inventors: **Alejandro Mier-Langner**, Lasalle (CA); **Andrew Miles**, Lasalle (CA); **Howard Yaphe**, Lasalle (CA); **Hristea Mihalcea**, Lasalle (CA)
(73) Assignee: **Axis Lighting Inc.** (CA)
(**) Term: **15 Years**
(21) Appl. No.: **29/595,928**

D712,081 S * 8/2014 Murata D26/72
D731,700 S 6/2015 Santoro
D738,026 S * 9/2015 Dungan D26/76
D744,146 S * 11/2015 Martins D26/74
(Continued)

FOREIGN PATENT DOCUMENTS

WO WO 2015/074154 A1 5/2015
Primary Examiner — Mark A Goodwin
Assistant Examiner — Benjamin M Weeks
(74) *Attorney, Agent, or Firm* — Barnes & Thornburg LLP

(22) Filed: **Mar. 3, 2017**
(51) **LOC (12) Cl.** **26-05**
(52) **U.S. Cl.**
USPC **D26/138**
(58) **Field of Classification Search**
USPC D2/742; D12/110, 114; D14/218;
D26/1, 24, 26–28, 37–50, 60–66, 72–76,
D26/113, 118, 119, 120, 121, 122, 180
CPC F21Y 2103/30; F21Y 2107/30; F21V
29/507; F21V 29/004; F21V 29/677;
F21V 29/60; F21V 5/04
See application file for complete search history.

(57) **CLAIM**

What is claimed is the ornamental design for a luminaire, as shown and described.

DESCRIPTION

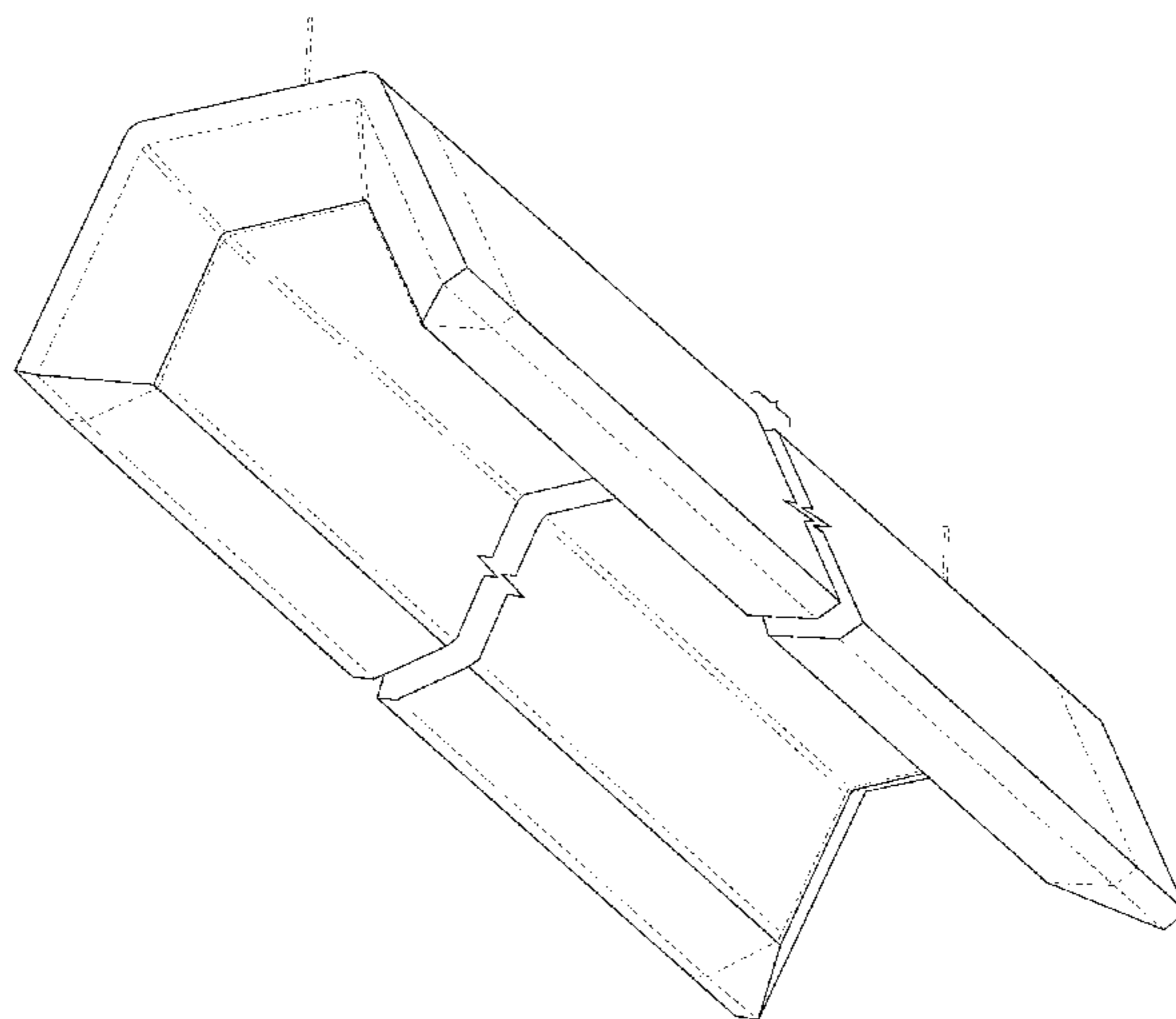
FIG. 1 is lower perspective view of the luminaire showing our design;
FIG. 2 is an upper perspective view as viewed from above thereof;
FIG. 3 is a front elevational view thereof, where the rear elevational view is a mirror of this view and, therefore, has been omitted;
FIG. 4 is a right side elevational view thereof, where the left side elevational view is a mirror image of this view and, therefore, has been omitted;
FIG. 5 is a top plan view thereof; and,
FIG. 6 is a bottom plan view thereof.
The broken lines in the drawings are directed to environment and are for illustrative purposes only.
The luminaire is shown with symbolic break lines along its length. The appearance of any portion of the article between the break lines forms no part of the claimed design. A separation and a bracket are used to indicate that, for ease of illustration, the precise length of the article is not claimed. The luminaire is not limited to the scale shown here in.

(56) **References Cited**

U.S. PATENT DOCUMENTS

D135,375 S 3/1943 Biller
D139,669 S 12/1944 Lippincott
D202,210 S 9/1965 Kasten
D292,322 S 10/1987 Krol
D344,364 S 2/1994 Engle
D404,165 S 1/1999 Vakil
D405,910 S 2/1999 Walz
6,170,967 B1 1/2001 Usher et al.
7,306,359 B2 12/2007 Harwood
D563,036 S * 2/2008 Miyairi D26/122
D585,581 S 1/2009 Purcell
D646,820 S 10/2011 Wauters
D698,973 S 2/2014 Santoro et al.

1 Claim, 6 Drawing Sheets



(56)

References Cited

U.S. PATENT DOCUMENTS

D747,031	S *	1/2016	Edwards	D26/138
D752,273	S *	3/2016	Pratt	D10/104.1
D757,332	S *	5/2016	Sieczkowski	D26/76
D771,305	S *	11/2016	Woller	D26/138
D779,112	S *	2/2017	McCanless	D26/138
D779,712	S *	2/2017	Sonneman	D26/138
D779,713	S *	2/2017	Sonneman	D26/138
D780,971	S	3/2017	Santoro		
D793,002	S *	7/2017	Kim	D26/120
D793,618	S *	8/2017	Kim	D26/120
D799,066	S *	10/2017	Tremaine	D25/119
D799,107	S *	10/2017	Sonneman	D26/138
D806,926	S	1/2018	Goetz-Schaefer		
D806,930	S	1/2018	Santoro et al.		
D807,572	S	1/2018	Klus		
D808,577	S	1/2018	Klus		
D813,443	S	3/2018	Matteson		
D815,332	S	4/2018	Santoro		
D819,879	S	6/2018	Oudina		
D830,604	S	10/2018	Watt		
D830,605	S	10/2018	Watt		
D840,588	S	2/2019	Shaeffer		
D843,046	S	3/2019	Watt		
2006/0198134	A1	9/2006	Fowler, Jr.		
2006/0198144	A1 *	9/2006	Miyairi	A47F 3/001 362/257
2012/0155073	A1 *	6/2012	McCanless	F21S 8/04 362/218
2015/0338566	A1	11/2015	Santoro		
2016/0033088	A1 *	2/2016	Mayfield, III	F21K 9/17 362/225

* cited by examiner

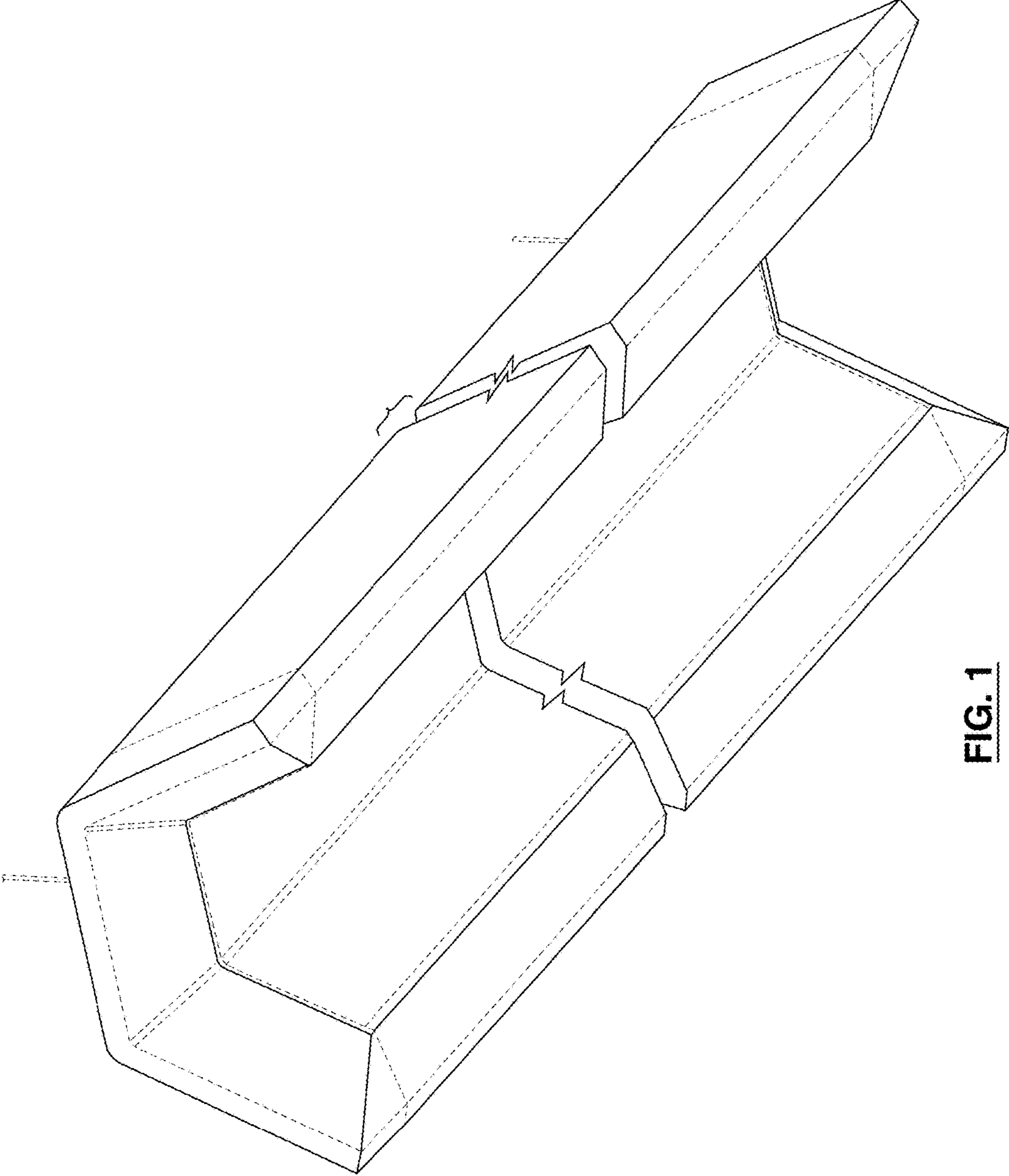


FIG. 1

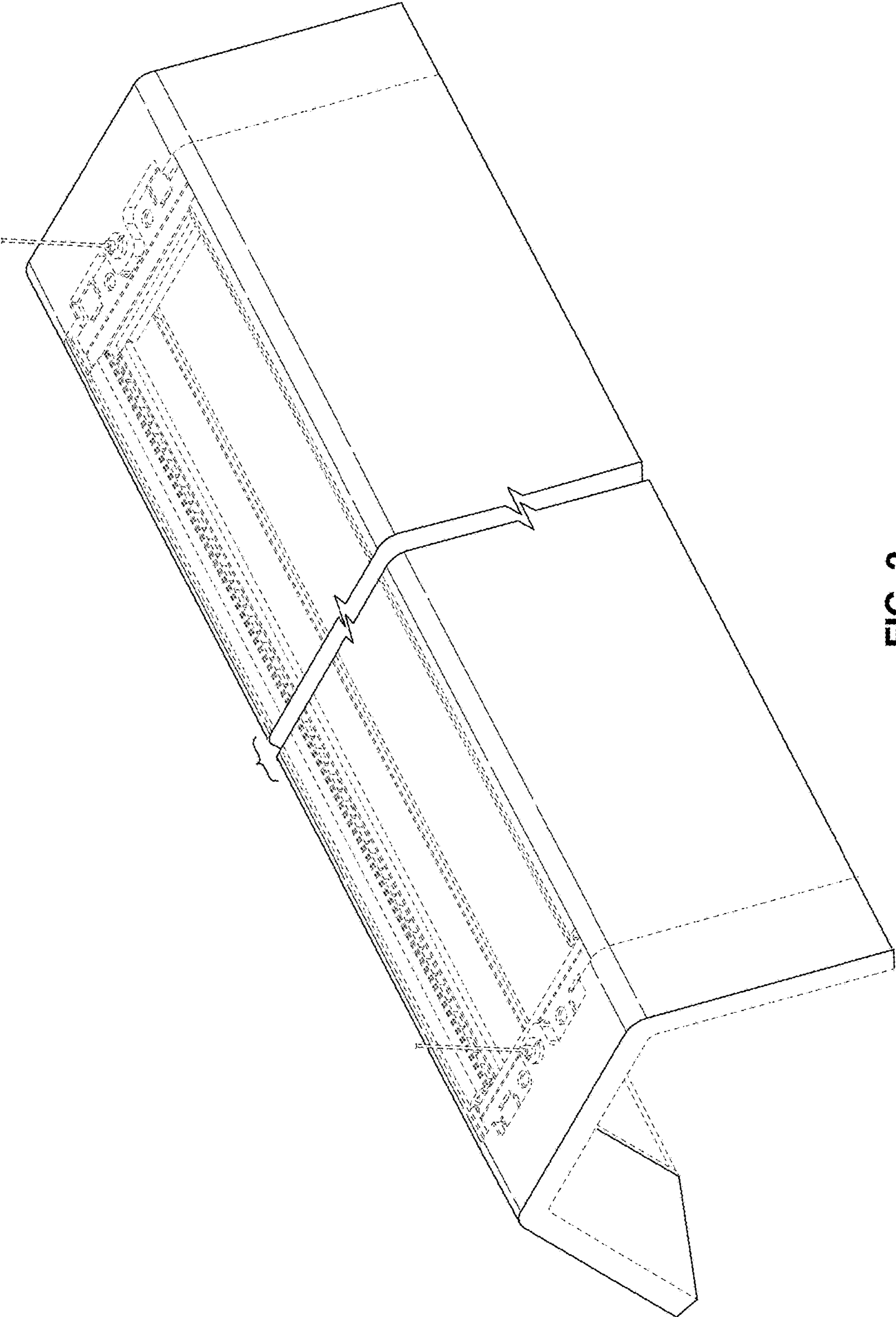


FIG. 2

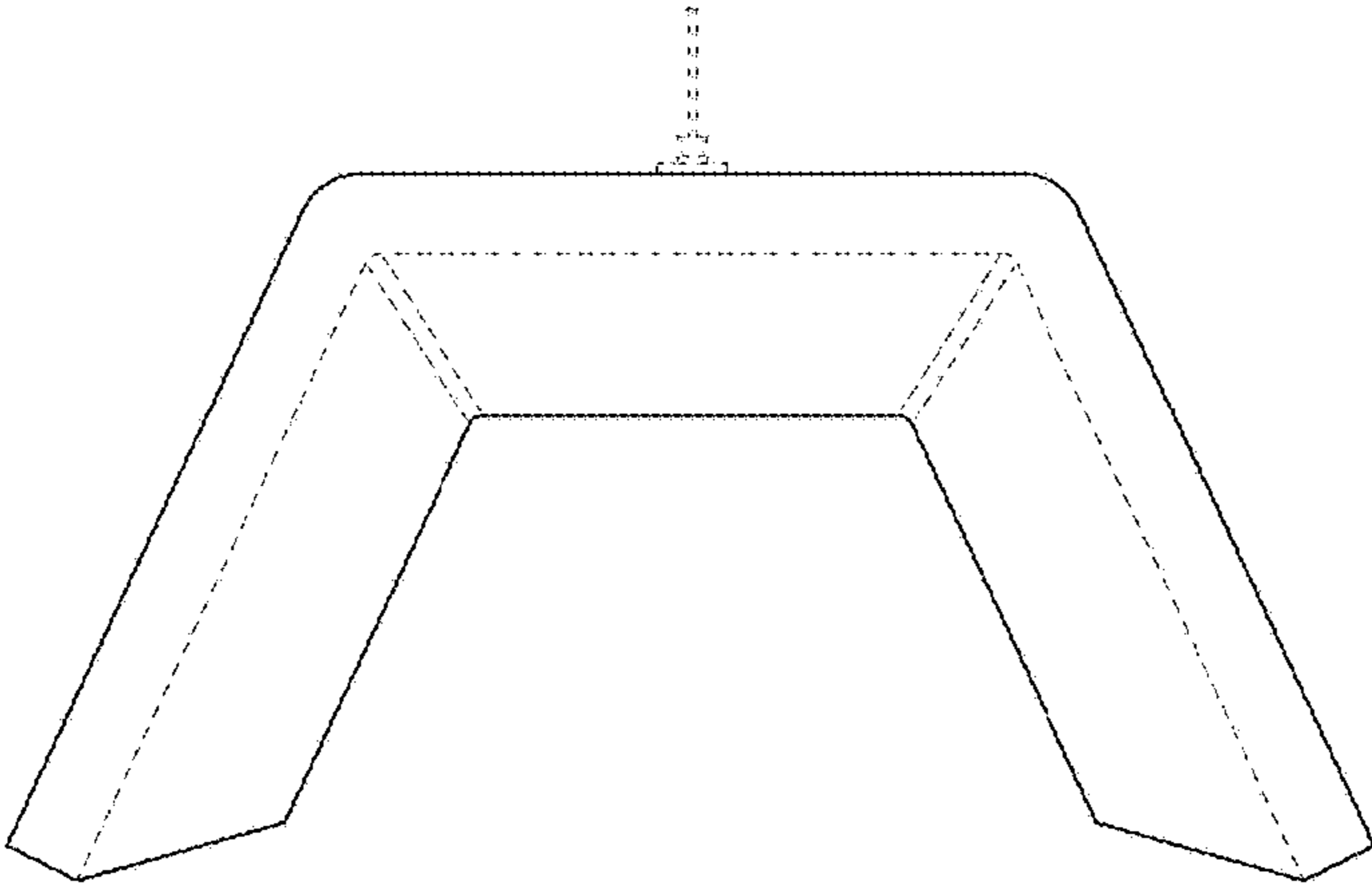


FIG. 3

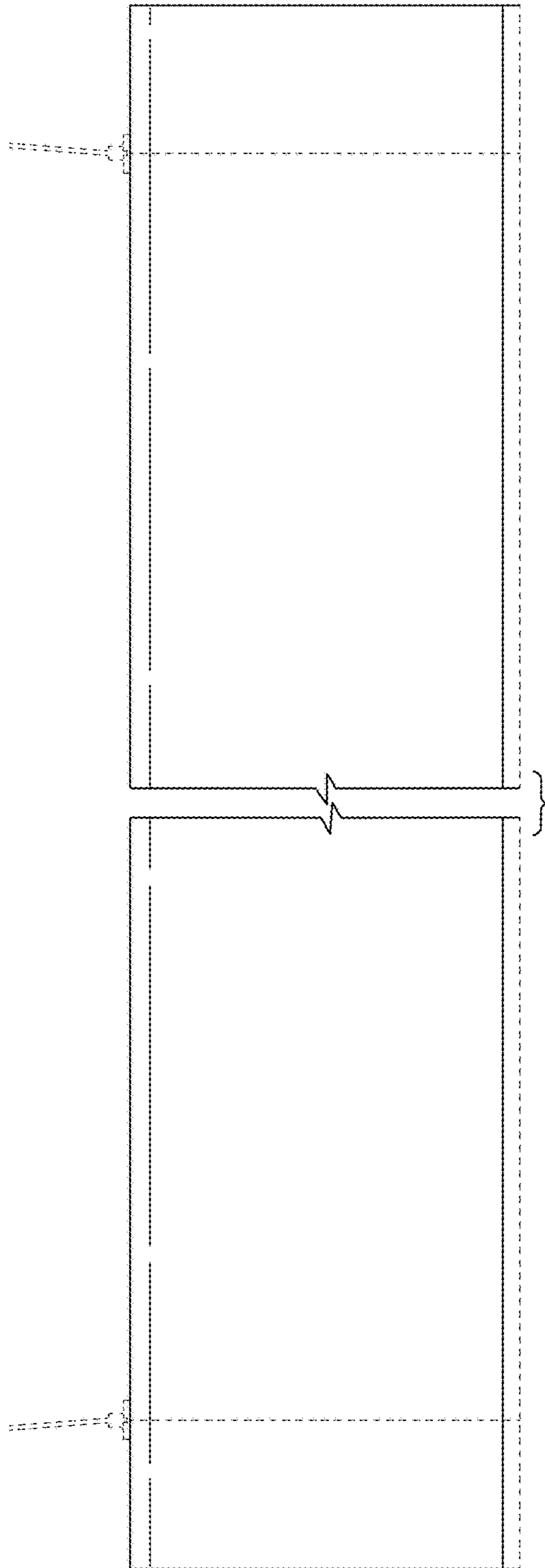


FIG. 4

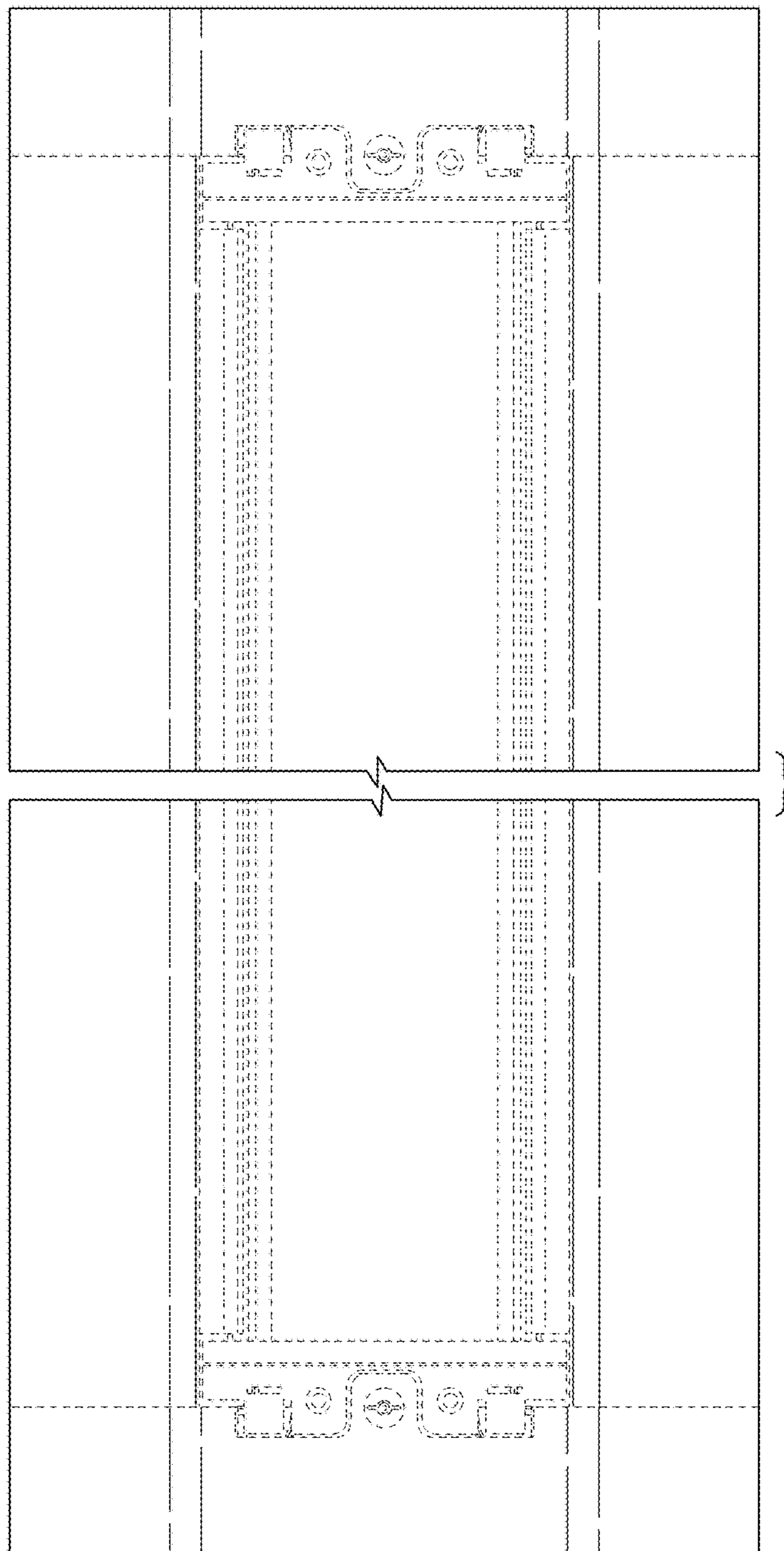


FIG. 5

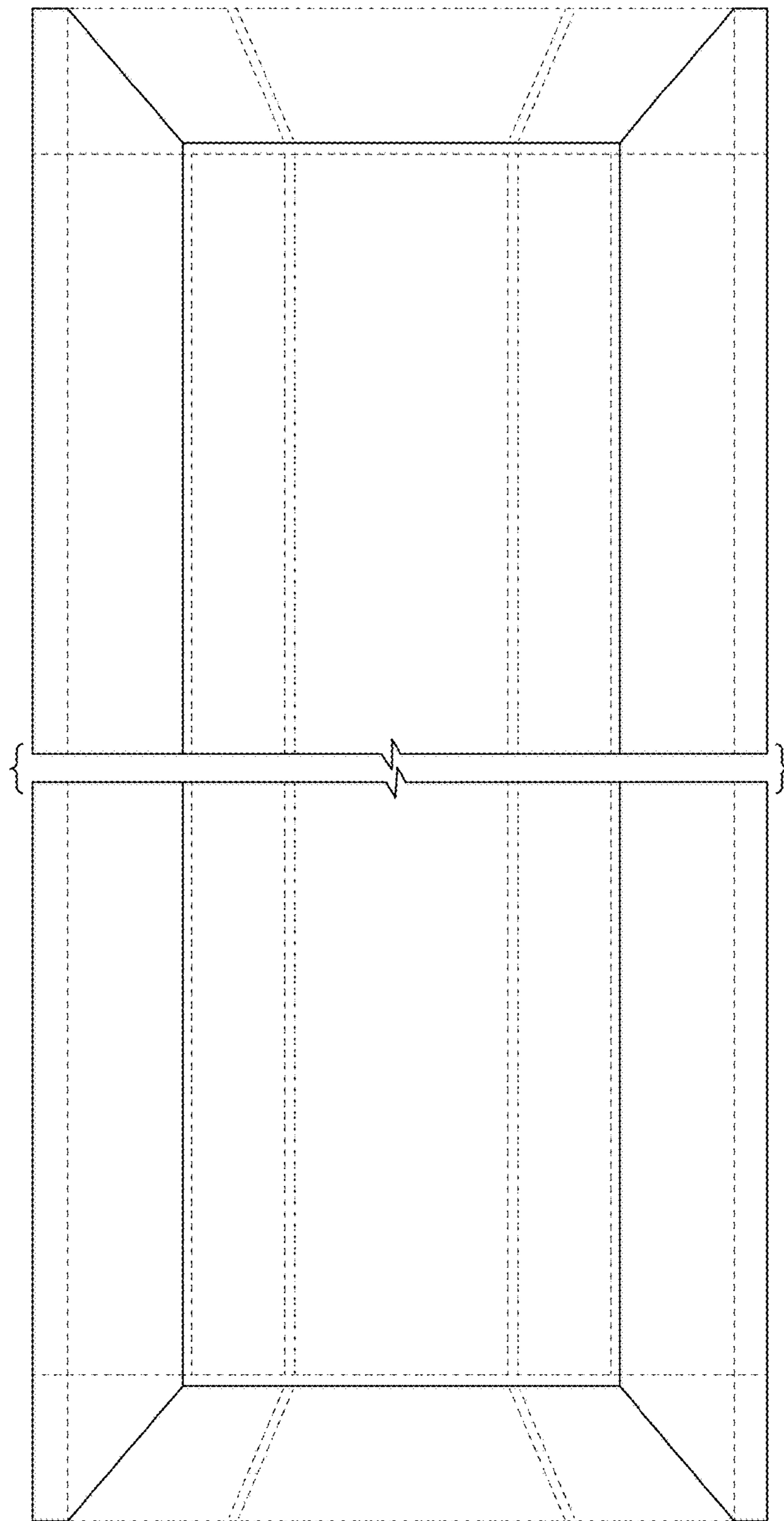


FIG. 6