



US00D870955S

(12) **United States Design Patent** (10) **Patent No.:** **US D870,955 S**
Sato (45) **Date of Patent:** **** Dec. 24, 2019**

(54) **TABLE LAMP**
(71) Applicant: **FLOS S.p.A.**, Bovezzo (IT)
(72) Inventor: **Oki Sato**, Bovezzo (IT)
(73) Assignee: **FLOS S.p.A.**, Brescia (IT)
(**) Term: **15 Years**
(21) Appl. No.: **29/690,125**
(22) Filed: **May 6, 2019**

D565,239 S * 3/2008 Meeker D26/128
D575,899 S * 8/2008 Meeker D26/128
D612,976 S * 3/2010 Meeker D26/101
D614,799 S * 4/2010 Sabernig D26/93
D630,370 S * 1/2011 Meeker D26/101
8,092,034 B2 * 1/2012 Zarian F21V 33/006
362/145
D771,302 S * 11/2016 Ross D26/118
2004/0155531 A1 * 8/2004 Agostinelli H02S 99/00
307/151

Related U.S. Application Data

(63) Continuation of application No. 35/504,202, filed on Sep. 21, 2017 (U.S. filing date under 35 U.S.C. 384), and having an international filing date of Sep. 21, 2017.

Foreign Application Priority Data

Mar. 27, 2017 (IT) 402017000033141
(51) **LOC (12) Cl.** **26-99**
(52) **U.S. Cl.**
USPC **D26/107**
(58) **Field of Classification Search**
USPC D26/51, 93, 107, 108, 141; 362/133,
362/147, 806
CPC F21V 21/00; F21S 6/00; F21S 6/02; F21S
8/032; F21S 6/004
See application file for complete search history.

References Cited

U.S. PATENT DOCUMENTS

4,569,003 A * 2/1986 Elmer F21V 7/0008
362/147
D386,533 S * 11/1997 Kvoka D20/42
D402,391 S * 12/1998 Manarin D26/110
D425,651 S * 5/2000 Gager D26/108

OTHER PUBLICATIONS

DMA Homes website: Brand New Set Square Cube Hanging Wall Shelves Cubes Storage White. Undated; 4 pages. Found online at <http://dma-upd.org/38-simple-how-to-hang-cube-shelves-ideas-photo/brand-new-set-square-cube-hanging-wall-she> (Year: 2018).
Lireos.com: White Cube Wall Shelves. © 2018, 2 pages. Found online Oct. 11, 2018 at <http://lireos.com/blog/kitchen-remodeling-should-you-buy-new-appliances/>.

(Continued)

Primary Examiner — Robert M. Spear
(74) *Attorney, Agent, or Firm* — Thomas|Horstemeyer, LLP

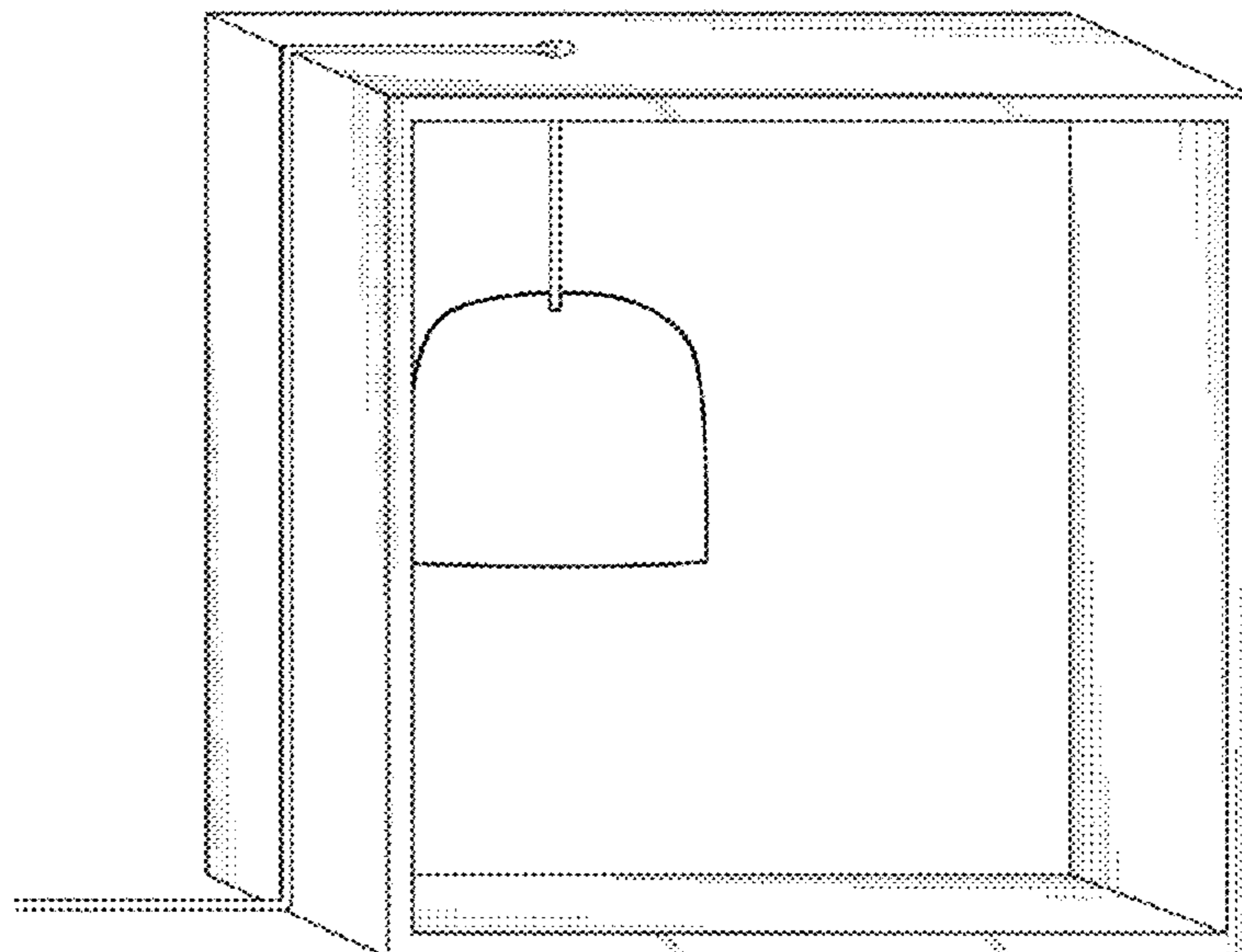
CLAIM

(57) The ornamental design for a table lamp, as shown and described.

DESCRIPTION

FIG. 1 is a front left perspective view of a table lamp, showing my new design;
FIG. 2 is a rear elevational view thereof;
FIG. 3 is a front elevational view thereof;
FIG. 4 is a right side elevational view thereof;
FIG. 5 is a left side elevational view thereof; and
FIG. 6 is a top plan view thereof; and,
FIG. 7 is a bottom plan view thereof.

1 Claim, 7 Drawing Sheets



(56)

References Cited

OTHER PUBLICATIONS

Pinterest.com: Top right shelf cube in 7illustration for “Retailers find stores and webshops.” Undated, 4 pages. Found online Oct. 11, 2018 at <https://ar.pinterest.com/pin/720646377845925061/visual-search/?x=16&y=16&w=530&h=671>.*

Headlinenewsmakers.com: Corner Shelf With Light Black Shelves New Handmade Led Floating Wall Cube Box White Oak Lights Homebase Shelving Unit Low Slim Shower Glass Mounts Brackets Bunnings Argos Desk. Undated; 5 pages. Found online Oct. 11, 2018 at <https://headlinenewsmakers.com/kzgqxz46689/cIDAgo46753/>.*

Amazon.com: Welland Victorian Tri Wall Shelves Cube Displaying Shelf Set of 3,6 inch,8 inch and 10 inch, White. Earliest date Mar. 14, 2016, 9 pages. Found online Oct. 11, 2018 at https://www.amazon.com/WELLAND-Victorian-Shelves-Displaying-White/dp/B01KYWHXYE/ref=sr_1_155?s=home-garden&ie=UTF8&qid=1539291251&sr=1-155&.*

* cited by examiner

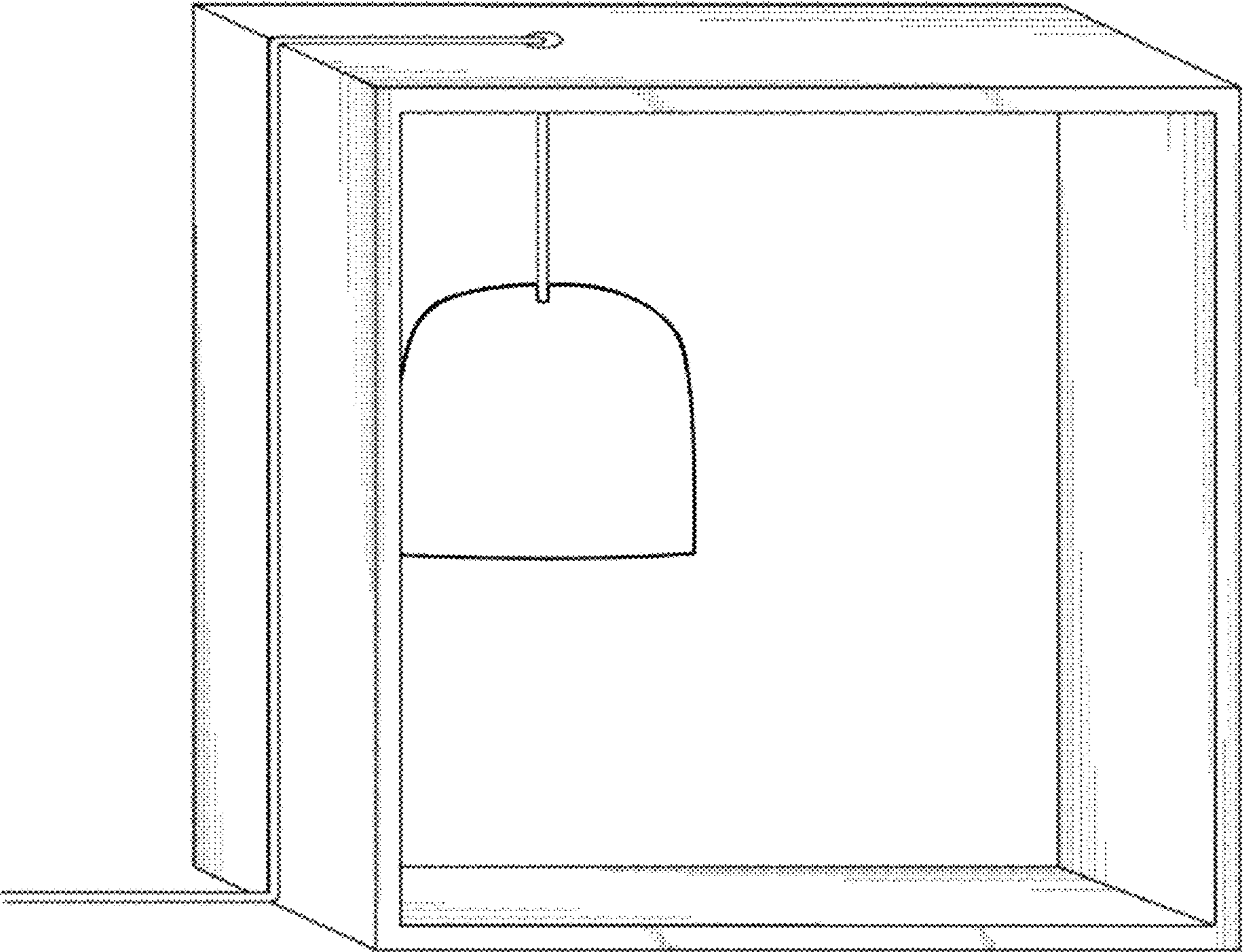


FIG. 1

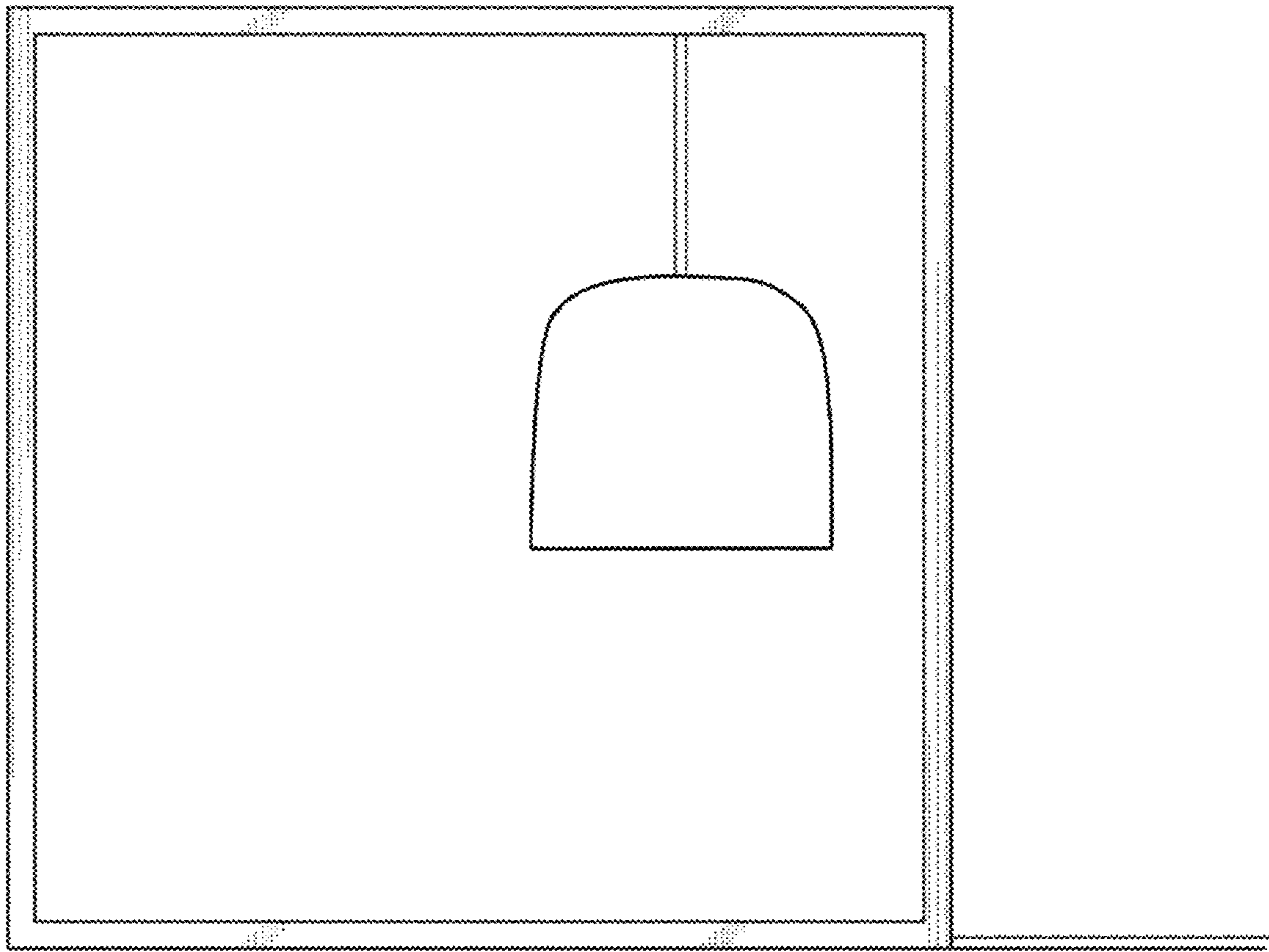


FIG. 2

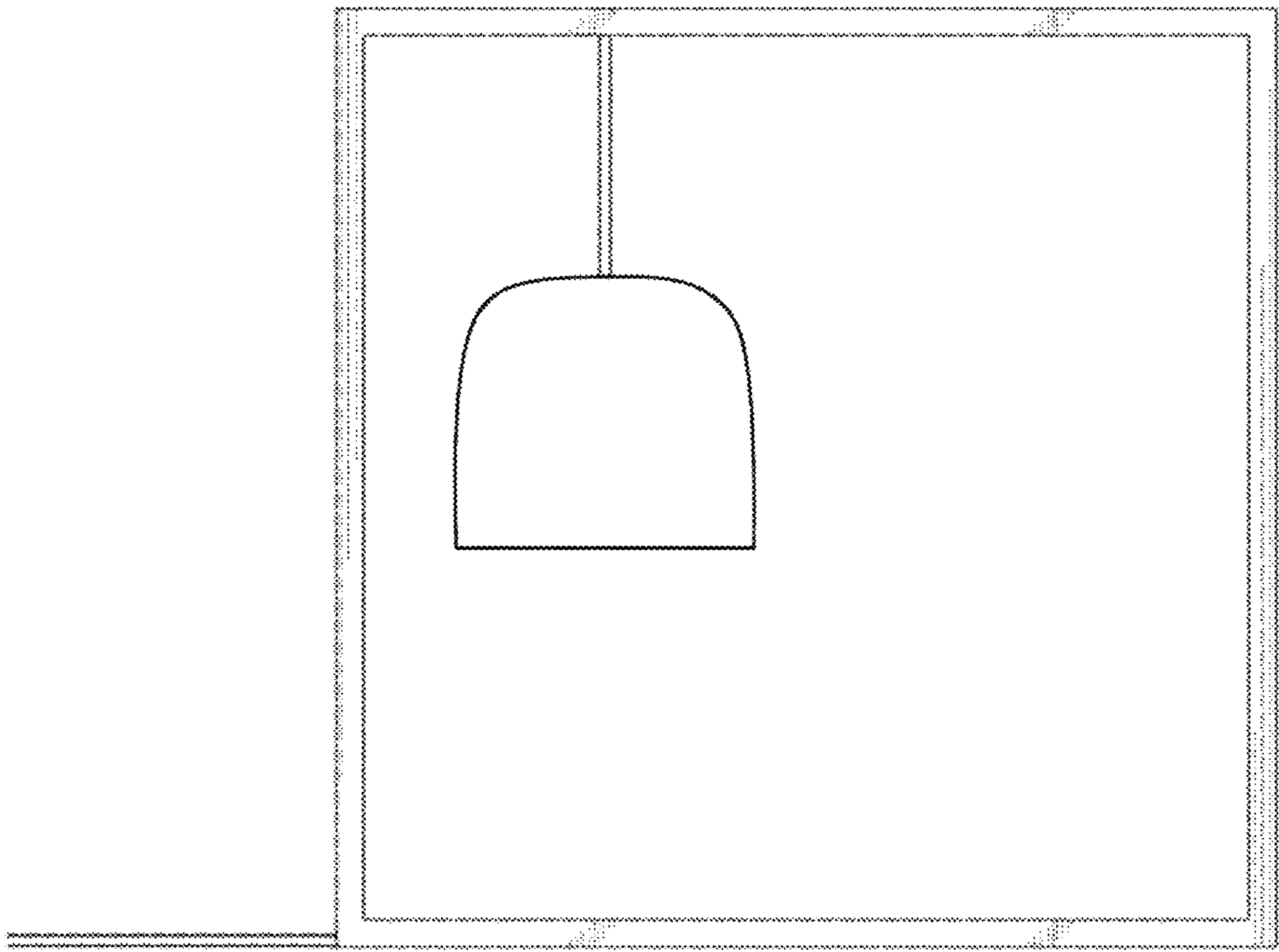


FIG. 3

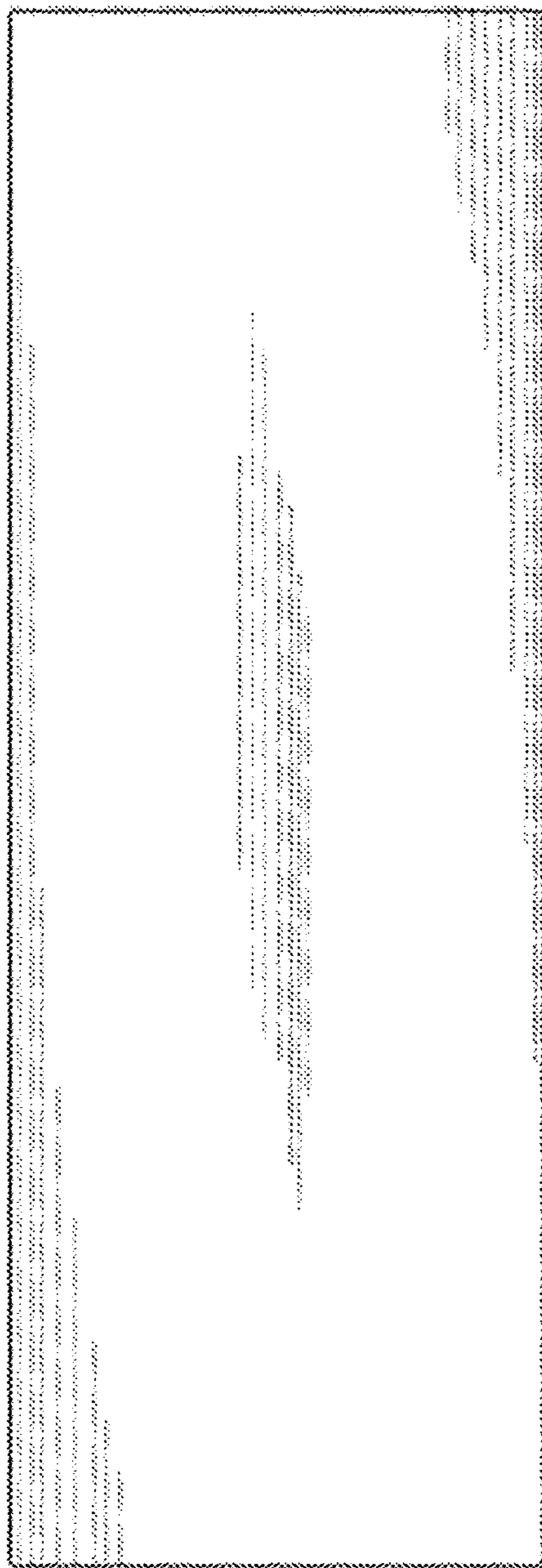


FIG. 4

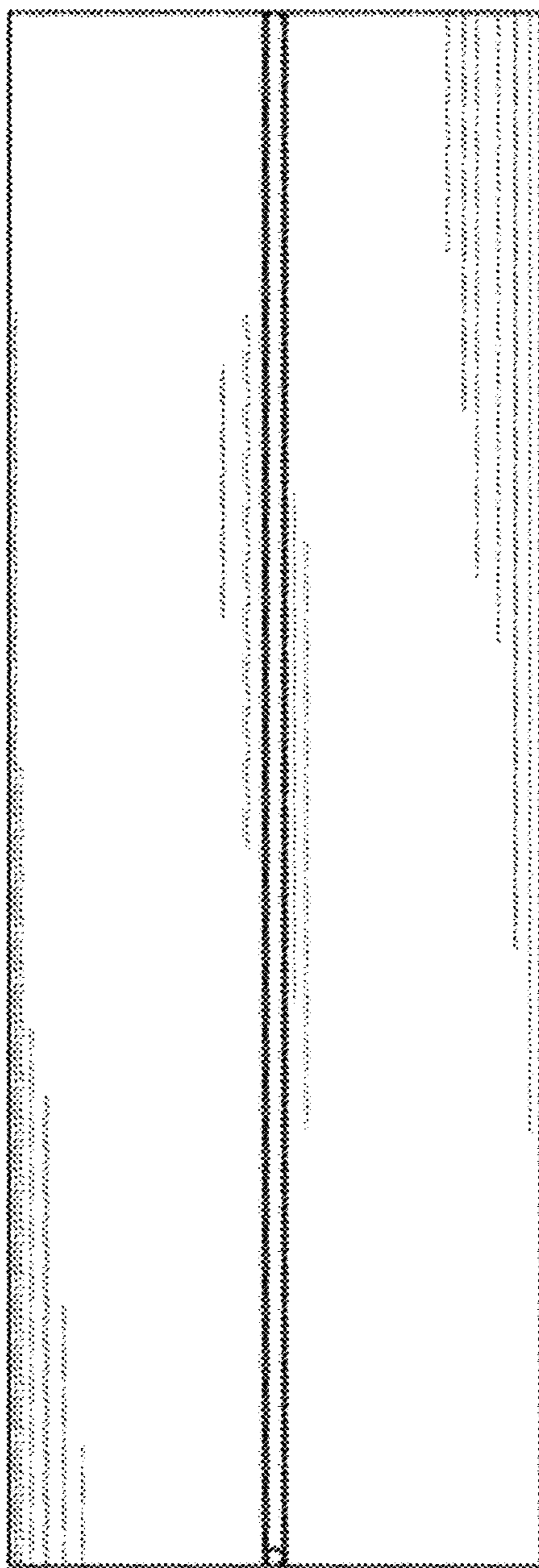


FIG. 5

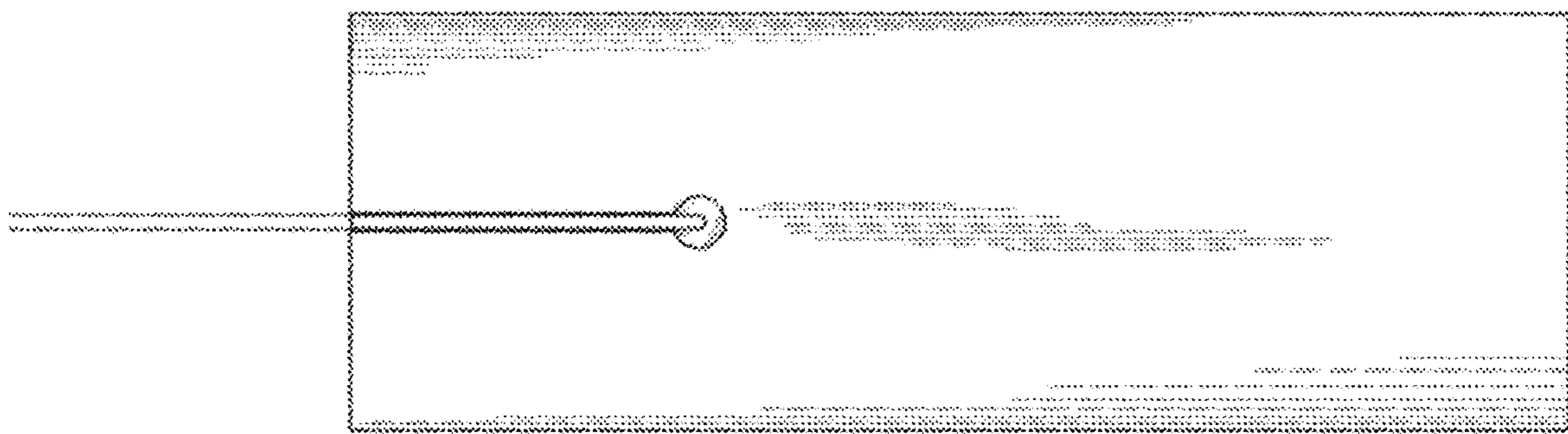


FIG. 6

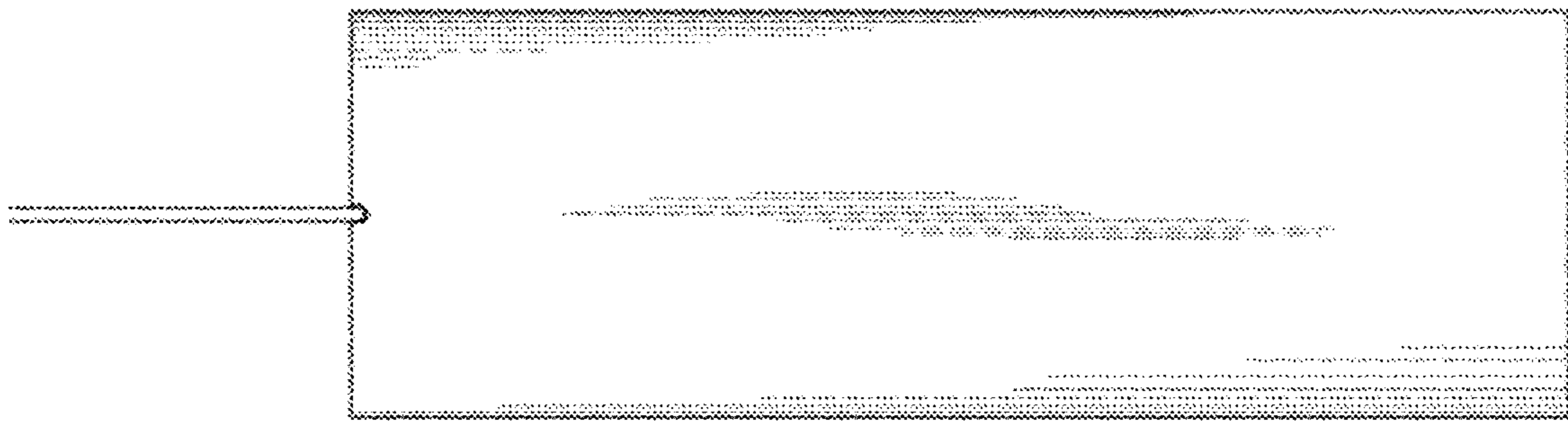


FIG. 7