



US00D870954S

(12) **United States Design Patent** (10) **Patent No.:** **US D870,954 S**
Gall (45) **Date of Patent:** **** Dec. 24, 2019**

(54) **LIGHT** 2012/0300444 A1* 11/2012 Gibson F21L 4/00
362/186
(71) Applicant: **MILWAUKEE ELECTRIC TOOL CORPORATION**, Brookfield, WI (US) 2015/0300581 A1 10/2015 Huang
2016/0010831 A1* 1/2016 Man F21L 4/00
362/232
(72) Inventor: **Benjamin D. Gall**, Wauwatosa, WI (US) 2016/0348879 A1 12/2016 Young et al.
2017/0003009 A1* 1/2017 McIntyre F21V 23/003
(Continued)

(73) Assignee: **MILWAUKEE ELECTRIC TOOL CORPORATION**, Brookfield, WI (US)

(**) Term: **15 Years**

(21) Appl. No.: **29/634,095**

(22) Filed: **Jan. 18, 2018**

(51) **LOC (12) Cl.** **26-02**

(52) **U.S. Cl.**
USPC **D26/104**

(58) **Field of Classification Search**
USPC D26/37, 40, 41, 93, 104, 118, 119, 128
CPC F21L 4/00; F21L 4/02; F21L 4/04; F21L 4/08; F21L 19/00; F21V 29/503; F21V 3/02; F21V 21/22; F21V 21/406; F21V 23/02; F21V 23/003
See application file for complete search history.

(56) **References Cited**

U.S. PATENT DOCUMENTS

D483,892 S * 12/2003 Poon D26/40
7,121,678 B1 10/2006 Sheller
7,347,582 B1 3/2008 Kung
7,401,941 B2 7/2008 Teng et al.
D610,283 S * 2/2010 Loibl D26/40
D737,163 S * 8/2015 Yamamoto D10/106.6
D742,052 S * 10/2015 Dorman D26/40
D757,973 S * 5/2016 Zhang D26/44
D823,506 S * 7/2018 Shiu D26/40
D844,875 S * 4/2019 Jeon D26/51
2005/0270771 A1 12/2005 Yuen
2010/0053942 A1 3/2010 Tarter et al.
2012/0155077 A1 6/2012 Kim et al.
2012/0206915 A1 8/2012 Batty

FOREIGN PATENT DOCUMENTS

CN 303145525 * 3/2015
CN 303442011 * 11/2015
(Continued)

OTHER PUBLICATIONS

M18 Radius Compact Site Light w_ Flood Mode <https://www.milwaukeeetool.com/Products/Lighting/2144-20> Apr. 11, 2019 (Year: 2019).*

Primary Examiner — Leanne Was-Englehart
(74) *Attorney, Agent, or Firm* — Michael Best & Friedrich LLP

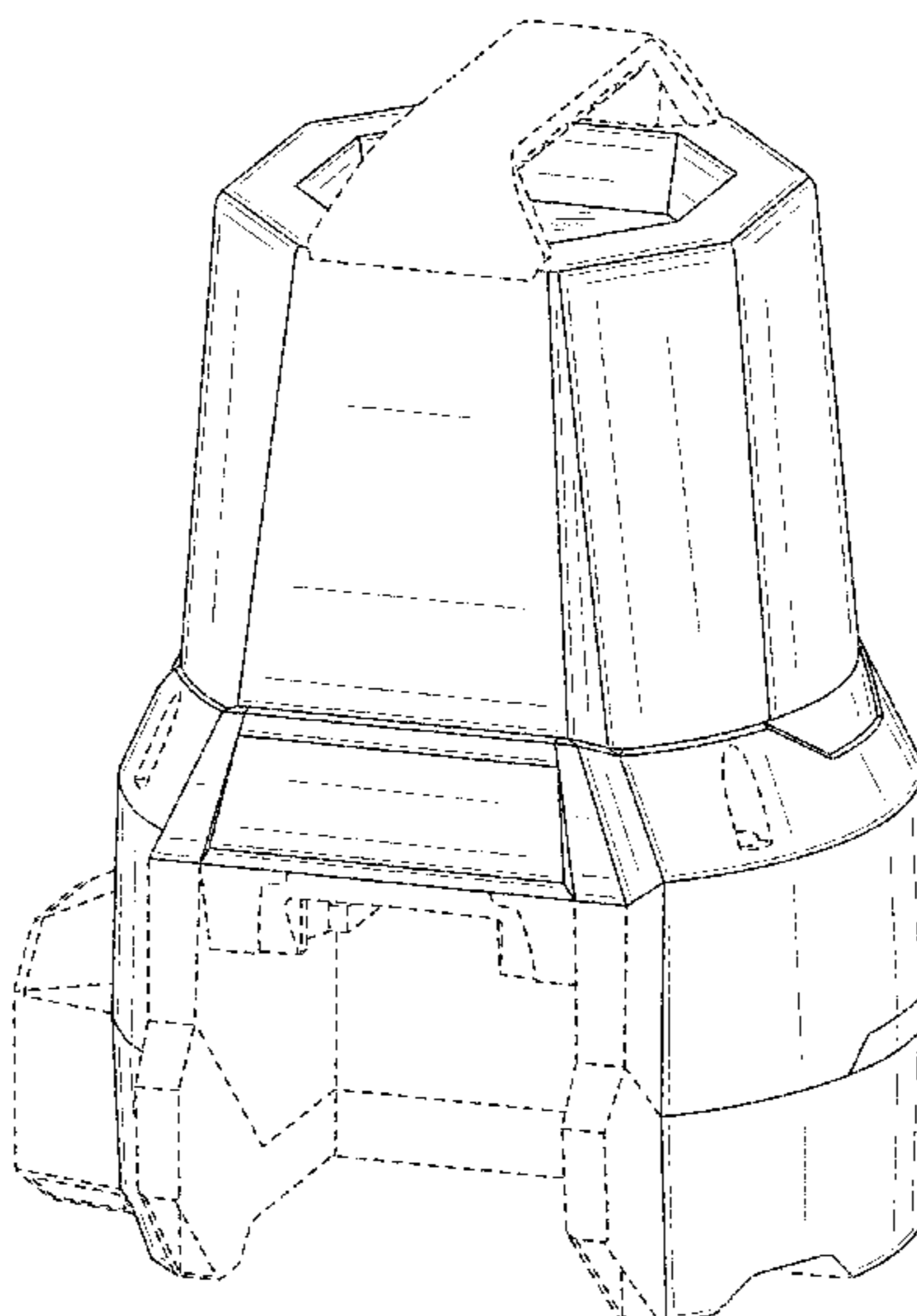
(57) **CLAIM**

I claim the ornamental design for a light, as shown and described.

DESCRIPTION

FIG. 1 is a perspective view of a light embodying the invention.
FIG. 2 is a front view of the light of FIG. 1.
FIG. 3 is a rear view of the light of FIG. 1.
FIG. 4 is a left side view of the light of FIG. 1.
FIG. 5 is a right side view of the light of FIG. 1.
FIG. 6 is a top view of the light of FIG. 1; and,
FIG. 7 is a bottom view of the light of FIG. 1.
The broken lines depict portions of the light that form no part of the claimed design.

1 Claim, 7 Drawing Sheets



(56)

References Cited

U.S. PATENT DOCUMENTS

2017/0045185 A1 2/2017 Mumma
2017/0152997 A1* 6/2017 Plott F21L 4/00
2018/0119935 A1* 5/2018 Proeber F21V 29/508
2019/0107259 A1* 4/2019 Doberstein F21L 4/02

FOREIGN PATENT DOCUMENTS

CN 304106611 * 4/2017
KR 1020160103733 A 9/2016

* cited by examiner

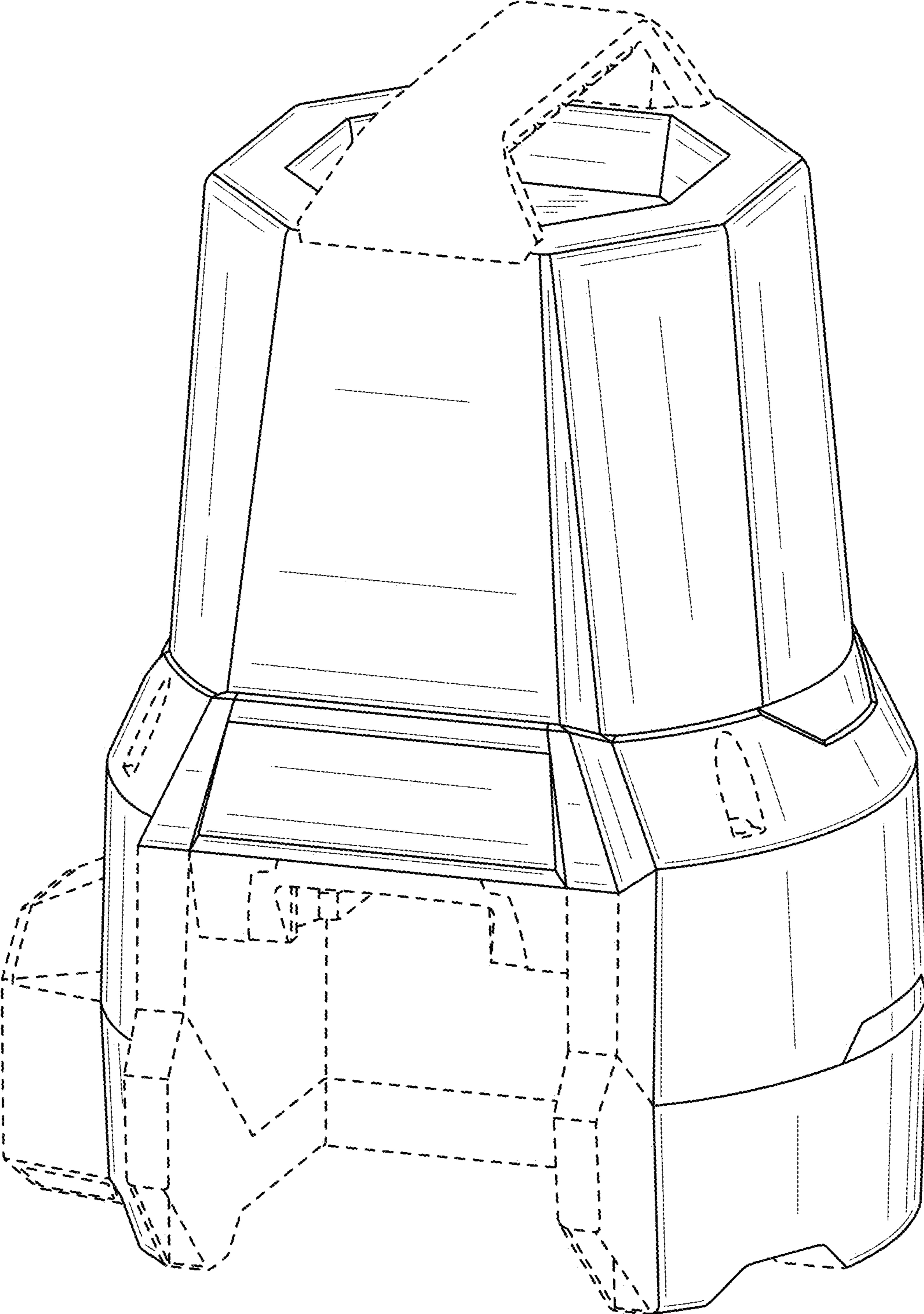


FIG. 1

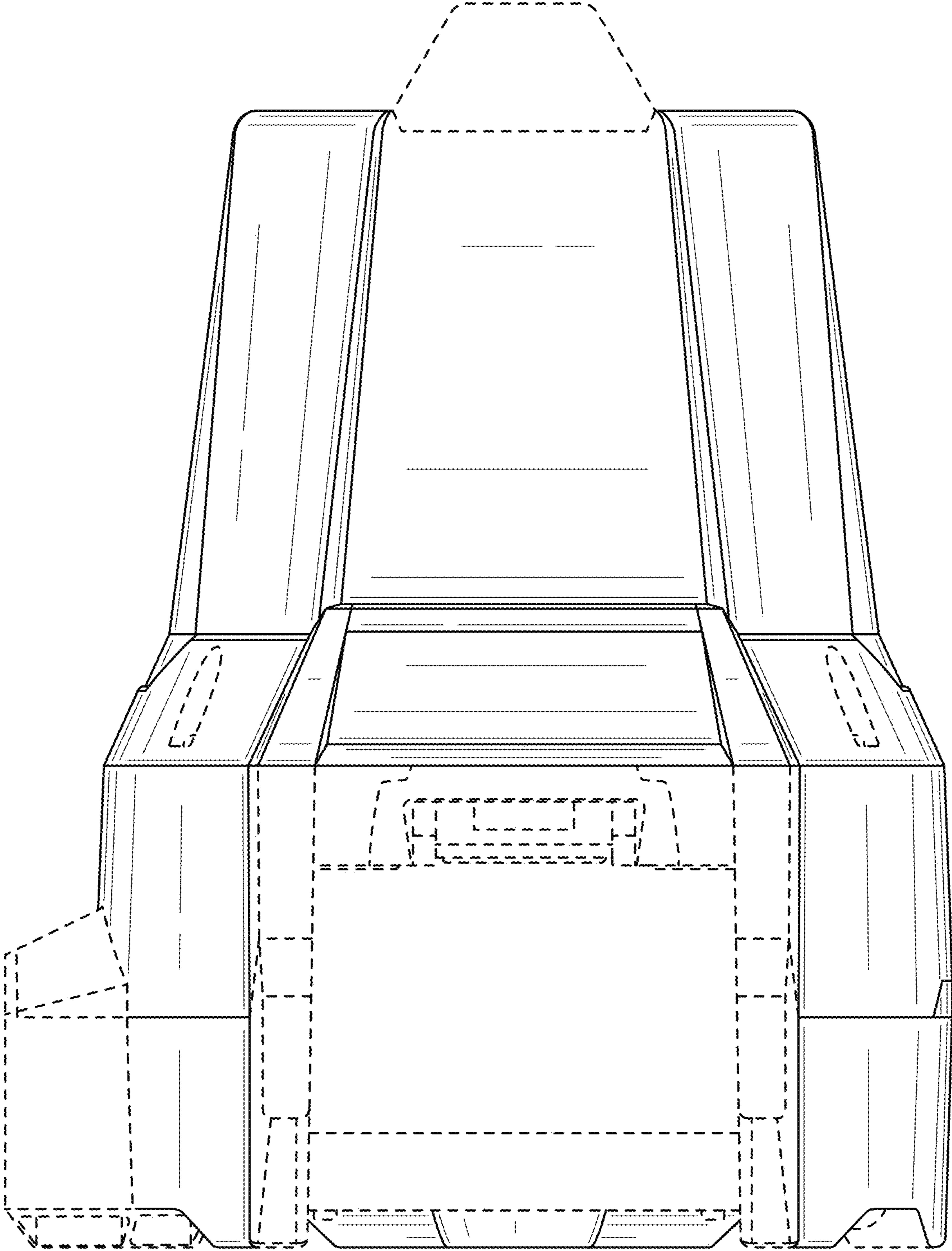


FIG. 2

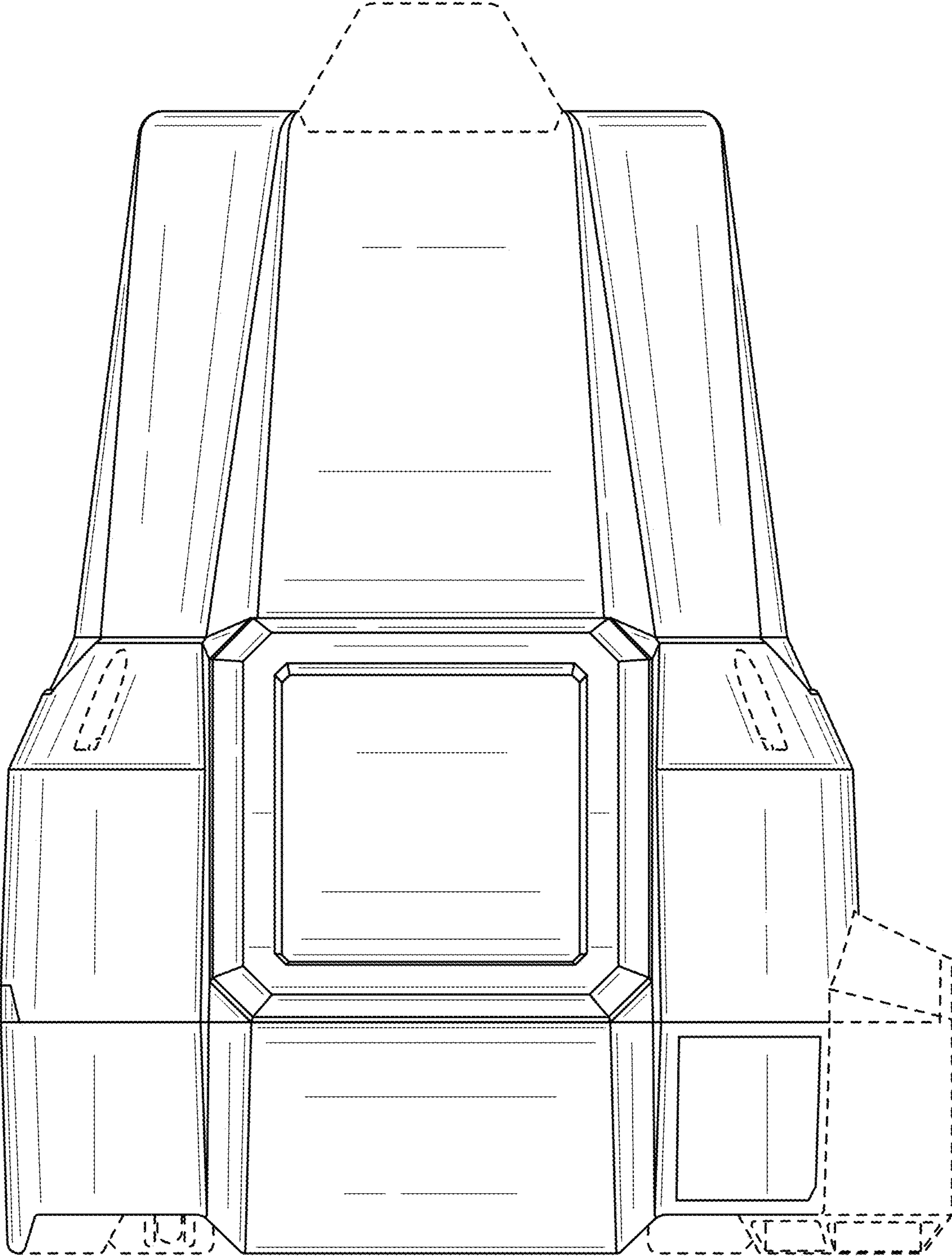


FIG. 3

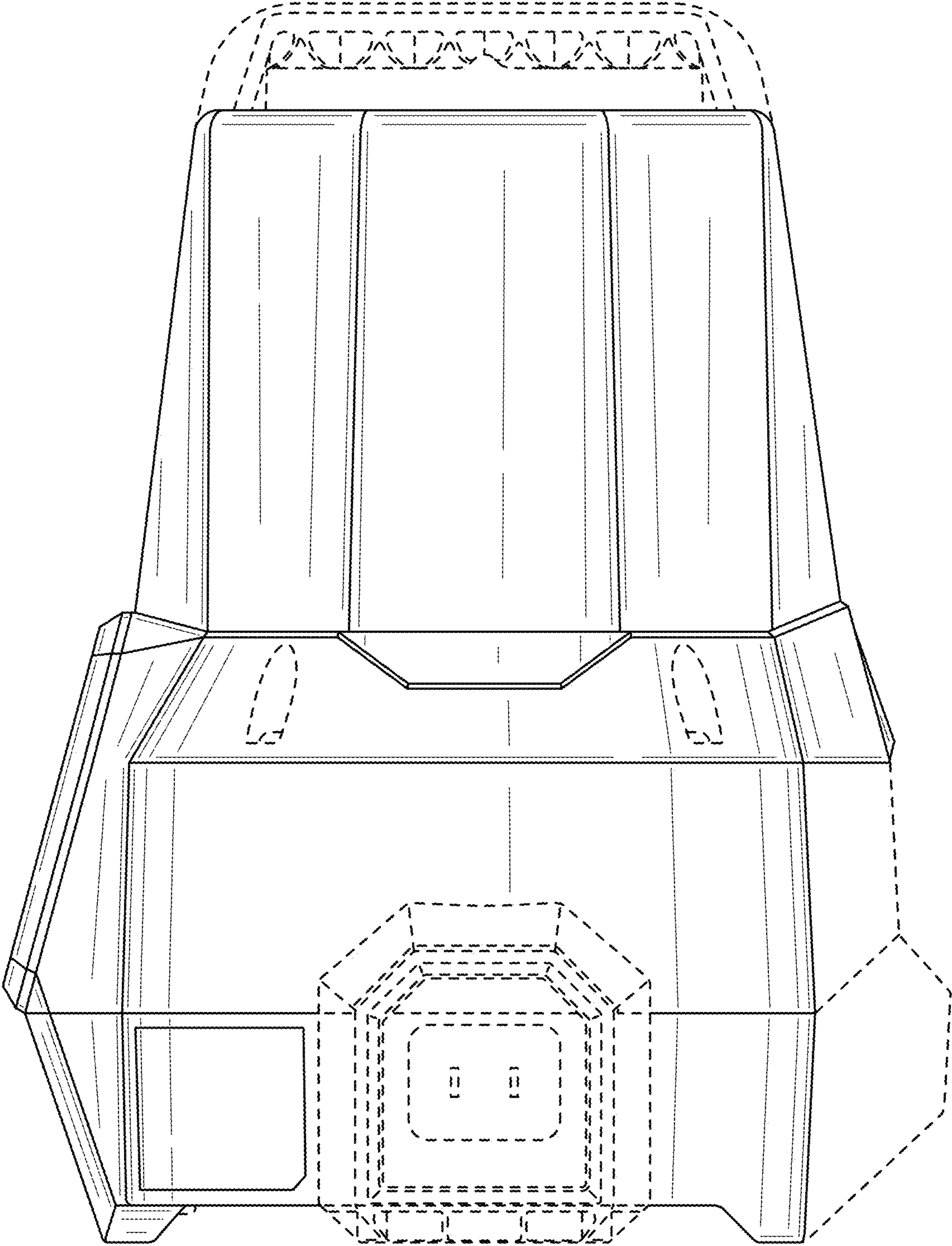


FIG. 4

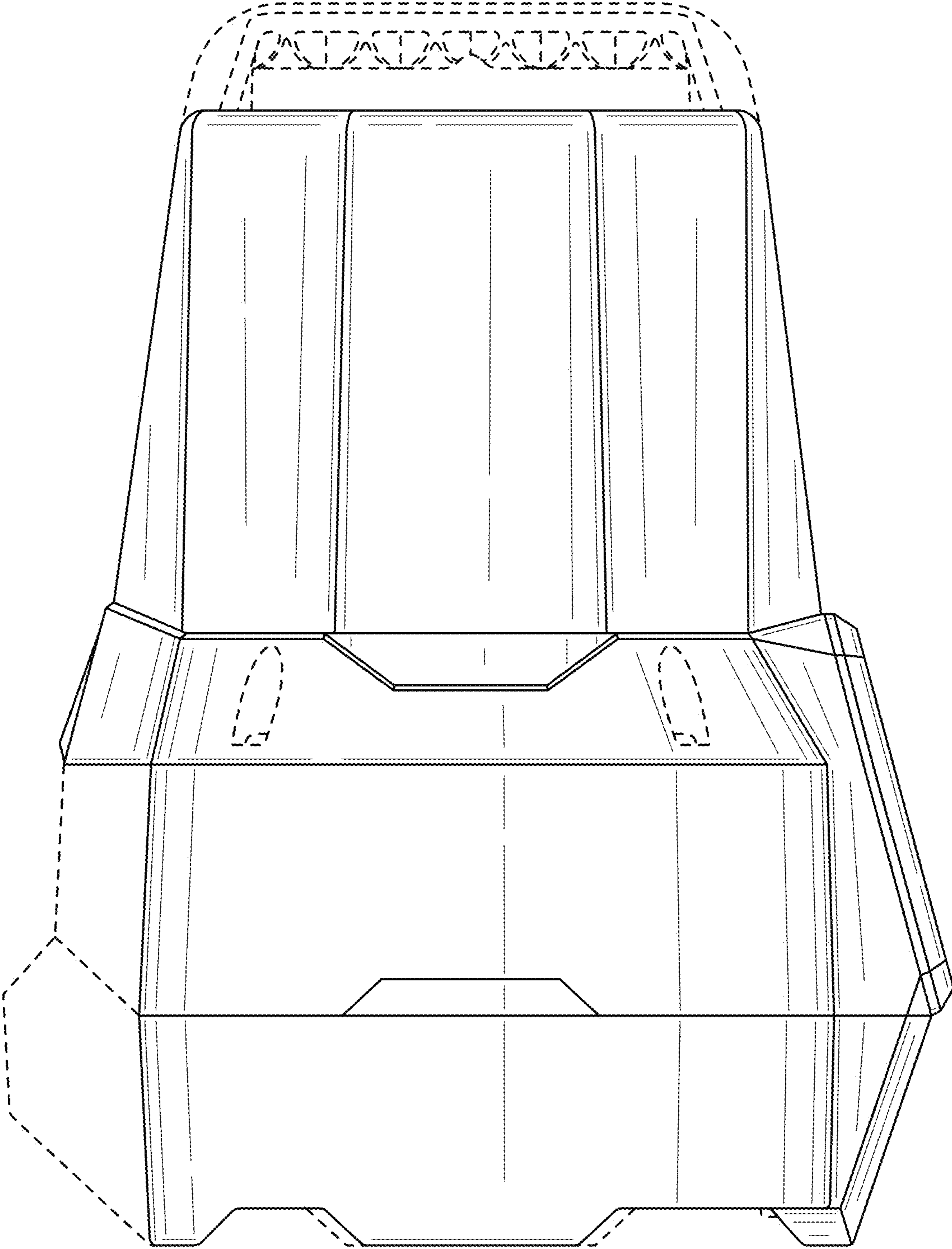


FIG. 5

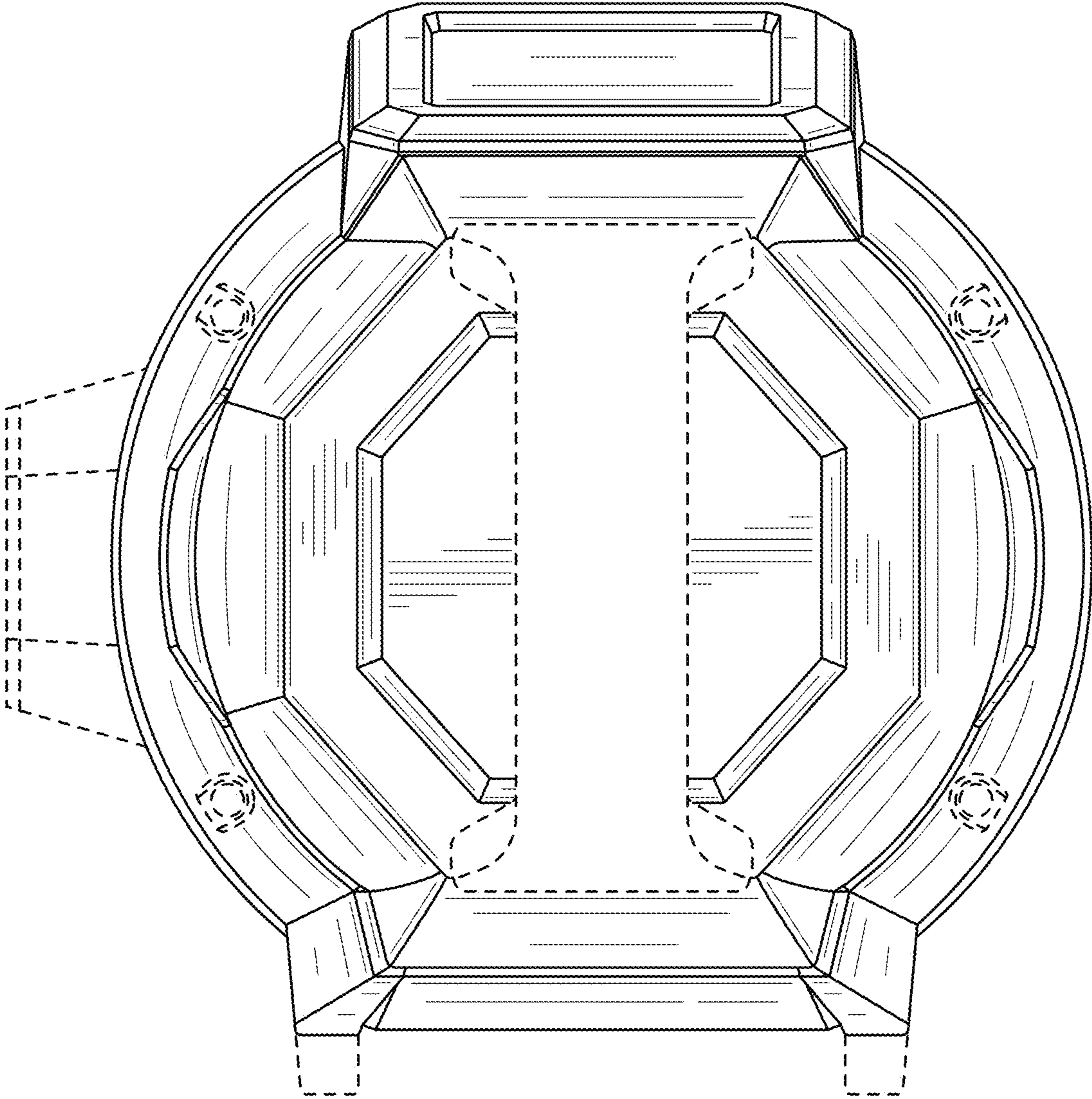


FIG. 6

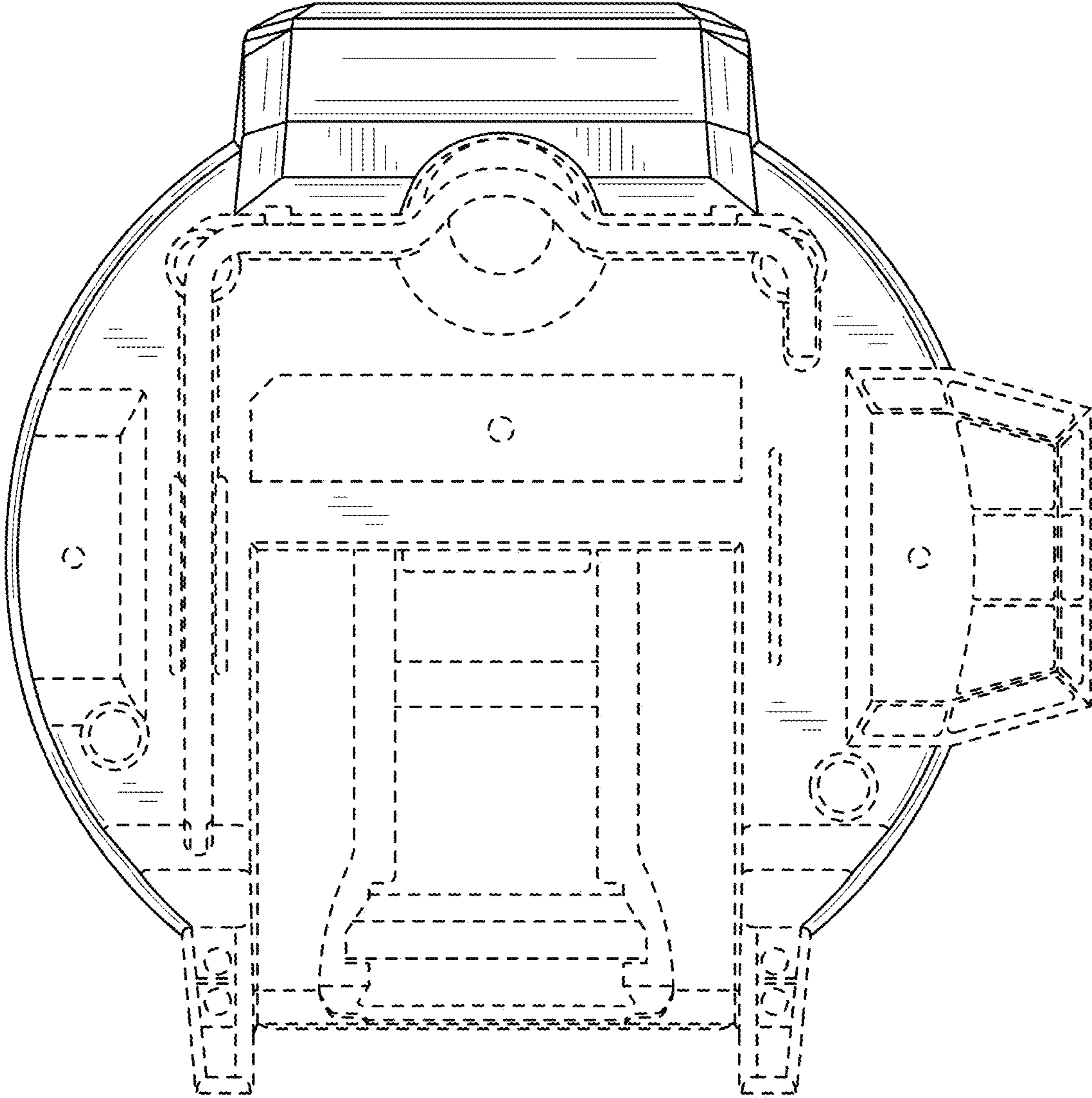


FIG. 7