



US00D870953S

(12) **United States Design Patent** (10) **Patent No.:** **US D870,953 S**
Coombes et al. (45) **Date of Patent:** **** Dec. 24, 2019**

(54) **LAMP**

(71) Applicant: **GIOPATO & COOMBES S.R.L.**,
Treviso (IT)

(72) Inventors: **Christopher Coombes**, Treviso (IT);
Cristiana Giopato, Treviso (IT)

(73) Assignee: **GIOPATO & COOMBES S.R.L.**,
Treviso (IT)

(**) Term: **15 Years**

(21) Appl. No.: **29/696,259**

(22) Filed: **Jun. 26, 2019**

D122,864 S	10/1940	Dreyfuss	
D125,317 S	2/1941	Sabatini	
D148,251 S	12/1947	Pretzer et al.	
D162,278 S	3/1951	Ainsworth	
D220,206 S	3/1971	Hamburger	
D304,768 S	11/1989	Dicola	
D342,338 S	12/1993	Thun	
D373,002 S	8/1996	Porter	
D436,210 S	1/2001	Miranda	
D635,711 S	4/2011	Scutella	
D697,251 S	1/2014	Baylar	
D697,252 S	1/2014	Baylar	
D705,475 S	5/2014	Kitts	
D713,090 S	9/2014	Kim	
D728,141 S	4/2015	Nicholas	
D728,145 S	4/2015	Shiqiang	
D759,875 S *	6/2016	Giopato	D26/88

(Continued)

Related U.S. Application Data

(62) Division of application No. 29/642,396, filed on Mar. 29, 2018.

(51) **LOC (12) Cl.** **26-03**

(52) **U.S. Cl.**
USPC **D26/90**; D26/81; D26/82

(58) **Field of Classification Search**
USPC D26/72, 80, 81, 82, 84, 85, 86, 88, 90,
D26/91, 118
CPC F21S 8/04; F21S 8/043; F21S 8/046; F21S
8/06; F21S 8/063; F21S 8/065; F21S
8/066; F21S 8/068

See application file for complete search history.

(56) **References Cited**

U.S. PATENT DOCUMENTS

D20,489 S *	1/1891	Beesley et al.	D26/88
D24,737 S	10/1895	Ferguson	
D30,725 S *	5/1899	Homan	D26/88
D38,253 S	9/1906	Chisholm	
D38,638 S	6/1907	Weyer	
D76,194 S	5/1928	Knorr	
D90,017 S	5/1933	Bush	

OTHER PUBLICATIONS

Niamh Barry Patera light sculpture and Foulette wall sculpture, both from niamhbarry.com visited Sep. 6, 2019. (Year: 2019).*

(Continued)

Primary Examiner — Clare E Heflin

(74) *Attorney, Agent, or Firm* — Cantor Colburn LLP

(57) **CLAIM**

We claim, the ornamental design for a lamp, as shown and described.

DESCRIPTION

FIG. 1 is a perspective view of a lamp, showing my new design;

FIG. 2 is a front elevation view thereof;

FIG. 3 is a rear elevation view thereof;

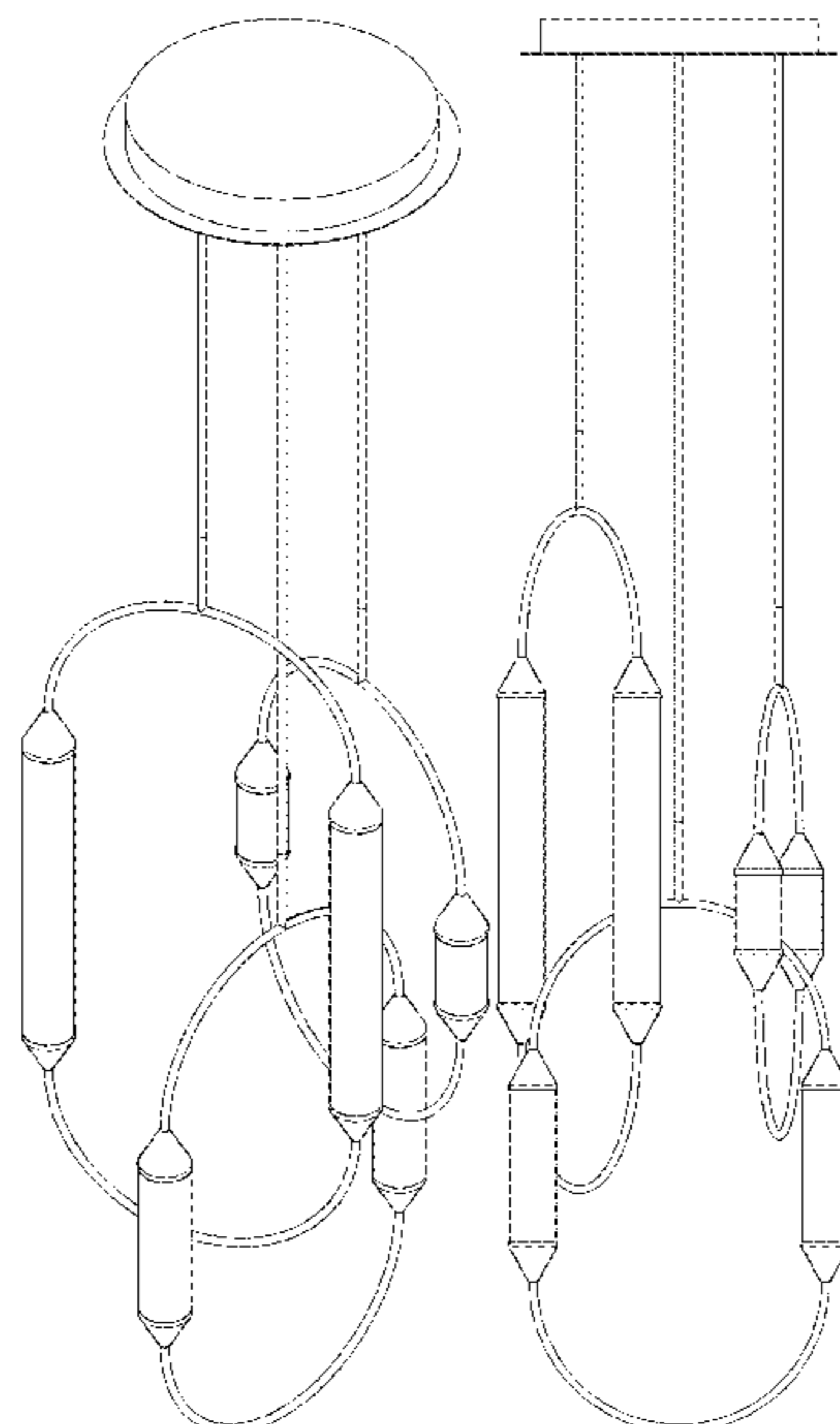
FIG. 4 is a left side elevation view thereof;

FIG. 5 is a right side elevation view thereof;

FIG. 6 is a top plan view thereof; and,

FIG. 7 is a bottom plan view thereof.

1 Claim, 6 Drawing Sheets



(56)

References Cited

U.S. PATENT DOCUMENTS

D779,102 S 2/2017 Garraton
D799,098 S * 10/2017 Hendifar D26/88
D802,821 S 11/2017 Hendifar et al.
D803,458 S 11/2017 Hendifar et al.
D805,238 S 12/2017 Amato et al.
D827,187 S 8/2018 Silver et al.
D827,908 S 9/2018 Silver et al.
D837,435 S * 1/2019 Richardson D26/82
2006/0098444 A1 5/2006 Petruzzi
2012/0241579 A1 9/2012 Karlsson et al.

OTHER PUBLICATIONS

Niamh Barry Pendant Lamp “Black Poise” from archiexpo.com
visited Sep. 6, 2019. (Year: 2019).*
“Cirque Pendant and Ceiling Lights” from Archetypal HK; 2019;
visited Apr. 11, 2019; pp. 1-3; <https://archetypal.hk/product/ceiling-light-pendant/cirque/>.

* cited by examiner

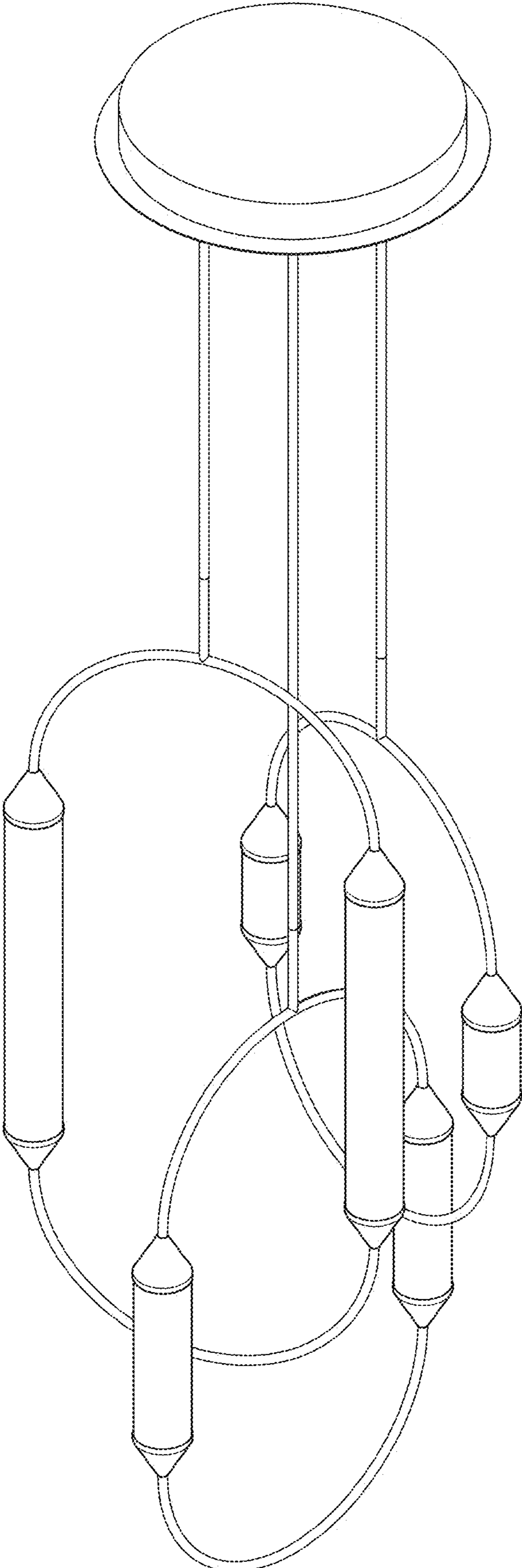


Fig. 1

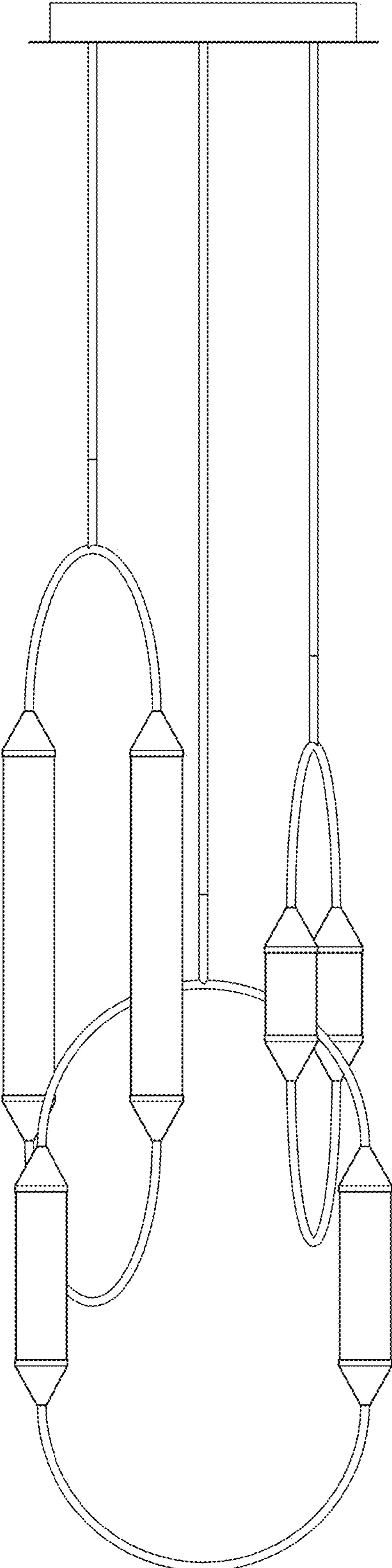


Fig. 2

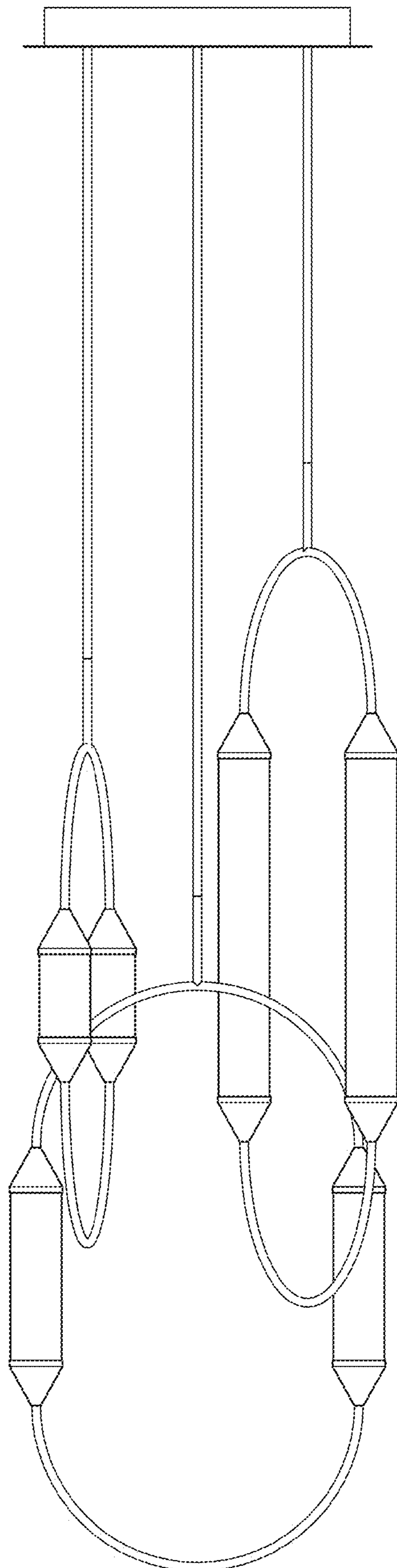


Fig. 3

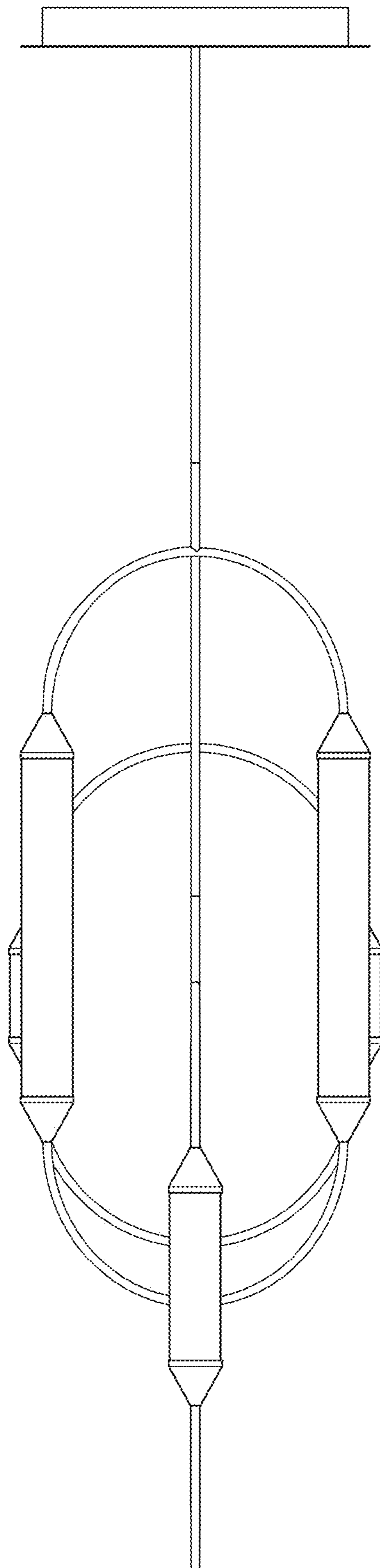


Fig. 4

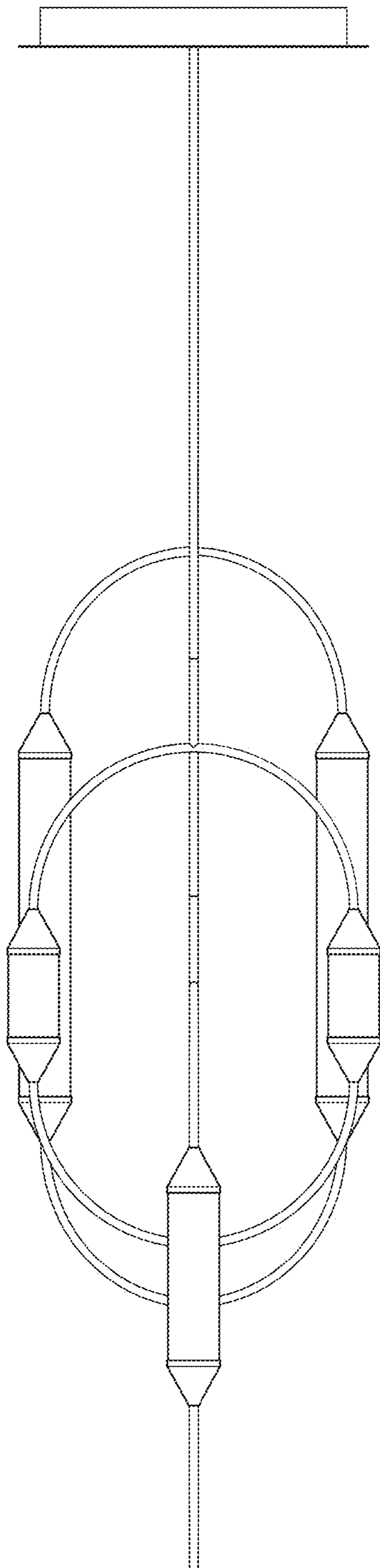


Fig. 5

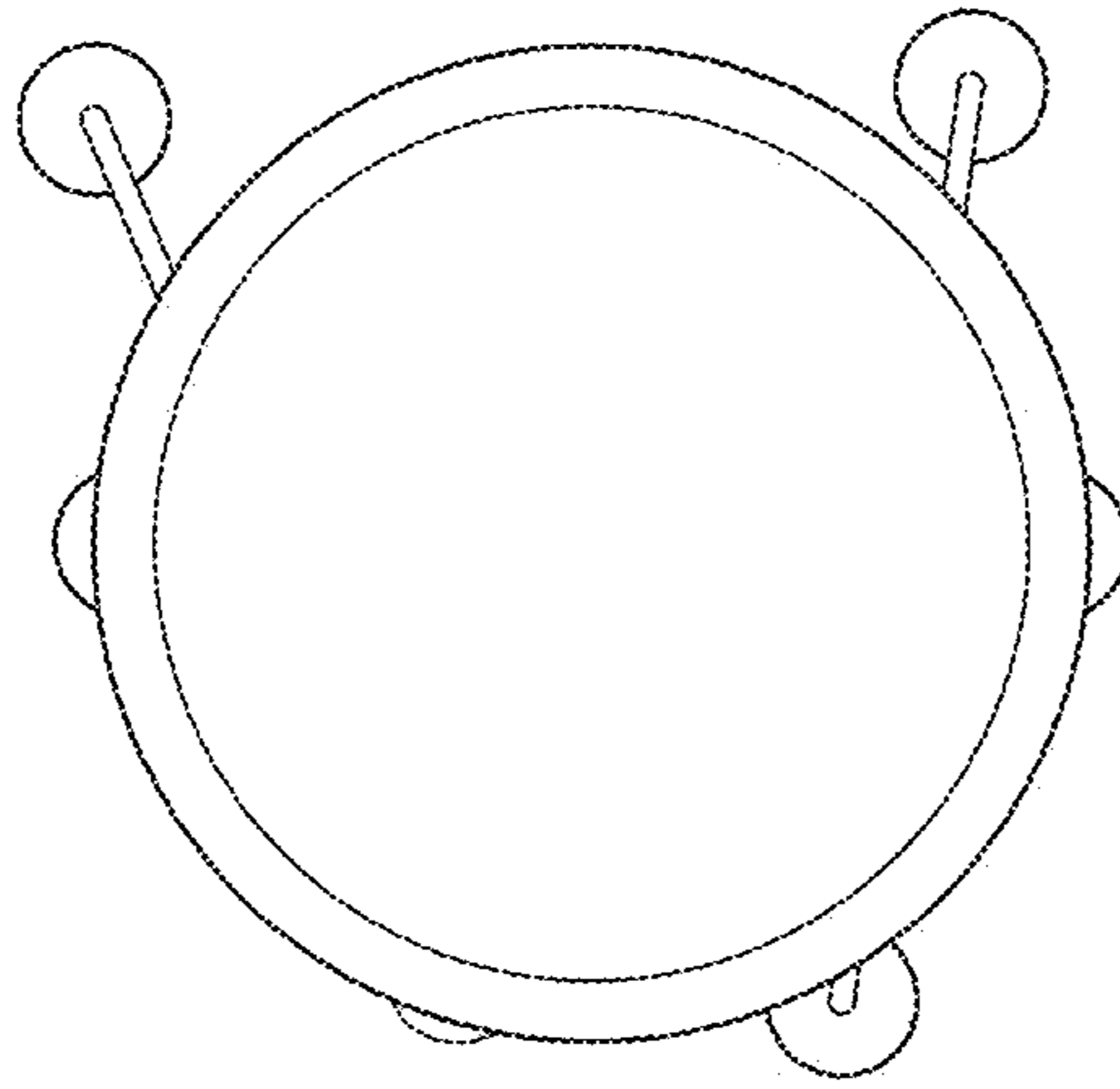


Fig. 6

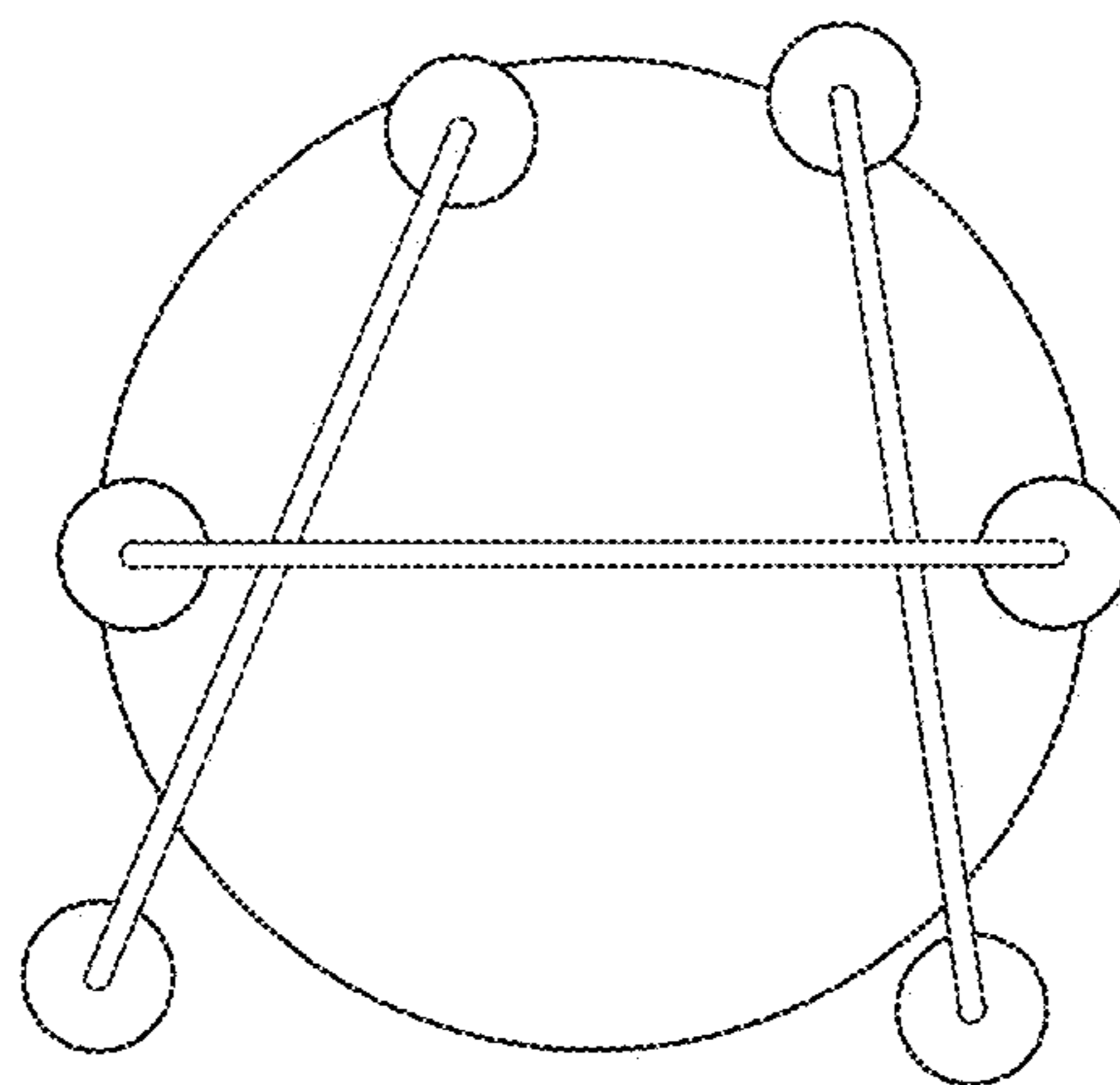


Fig. 7