

US00D870951S

(12) **United States Design Patent** (10) **Patent No.:** **US D870,951 S**
Tan (45) **Date of Patent:** **** Dec. 24, 2019**

(54) **THREE-SIDED WALL LAMP**
(71) Applicant: **Juanjuan Tan**, Dongan (CN)
(72) Inventor: **Juanjuan Tan**, Dongan (CN)
(**) Term: **15 Years**

D660,496 S * 5/2012 Akdag D26/71
D703,855 S * 4/2014 Maxik D26/71
D773,100 S * 11/2016 Guercio D26/85
D800,941 S * 10/2017 Shundong D26/72
D800,951 S * 10/2017 Xiang D26/92
D816,259 S * 4/2018 Liu D26/85

(21) Appl. No.: **29/622,706**
(22) Filed: **Oct. 19, 2017**
(51) **LOC (12) Cl.** **26-03**
(52) **U.S. Cl.**
USPC **D26/85**
(58) **Field of Classification Search**
USPC D26/71, 72, 85, 92; D10/106.6, 106.8
CPC F21S 8/03; F21S 8/033; F21S 8/036; F21S
8/037; F21S 9/022; F21S 9/024; F21S
9/03; F21S 9/035; F21S 9/037; F21W
2131/107; G08B 13/193
See application file for complete search history.

OTHER PUBLICATIONS

URPOWER 20 LED Solar Motion Sensor Light, first available at amazon.com on Jul. 30, 2015. (Year: 2015).*
Creative Design 46 LED Solar Outdoor Light—Model No. SMSL46, first available at amazon.com on Sep. 7, 2017. (Year: 2017).*

* cited by examiner

Primary Examiner — Clare E Hefflin
(74) *Attorney, Agent, or Firm* — Jie Yang; HYIP

(57) **CLAIM**

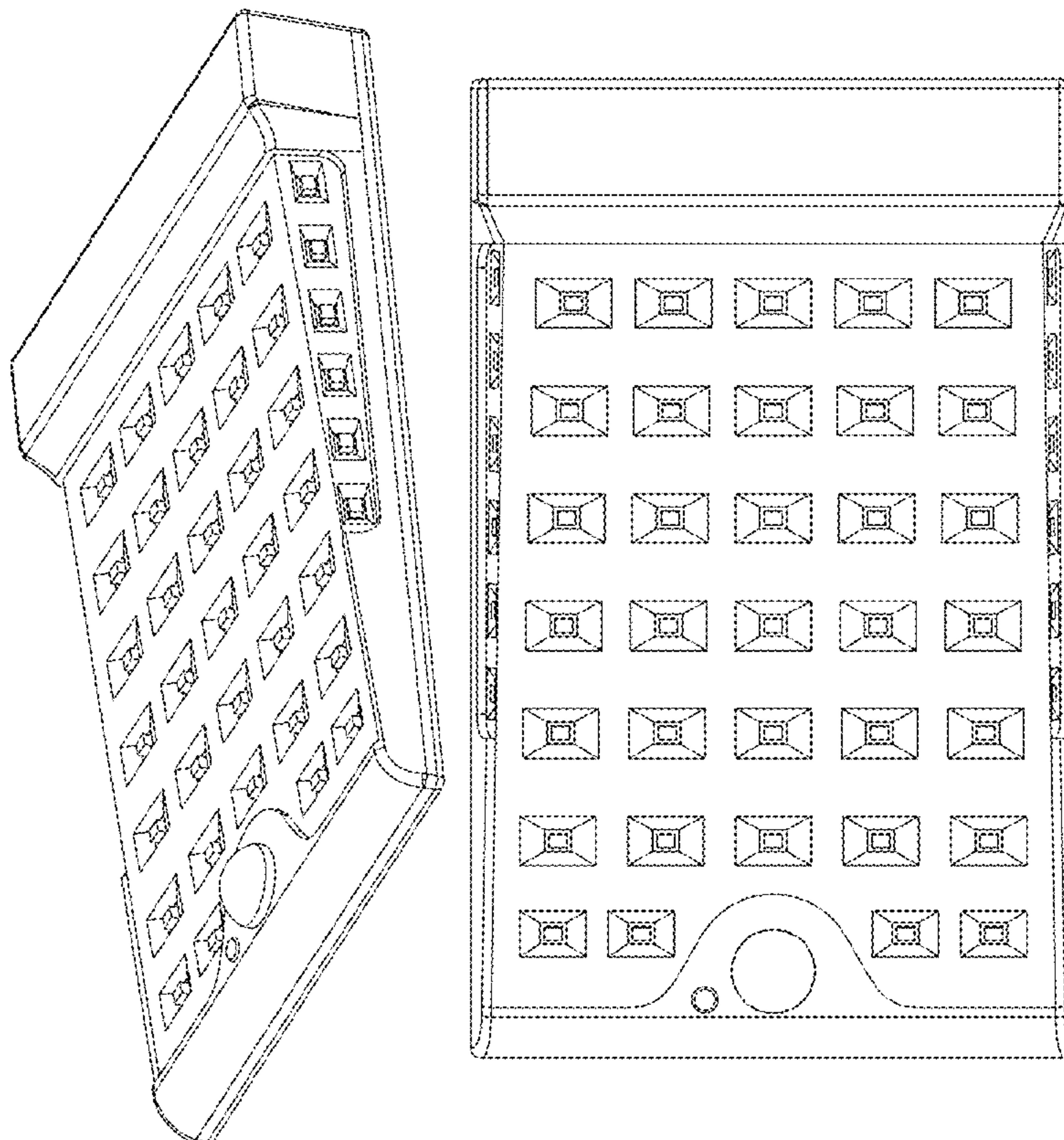
The ornamental design for the three-sided wall lamp, as shown and described.

DESCRIPTION

FIG. 1 is perspective view showing my design;
FIG. 2 is another perspective view showing my design;
FIG. 3 is a front view showing my design;
FIG. 4 is a back view showing my design;
FIG. 5 is a left side view showing my design;
FIG. 6 is a right side view showing my design;
FIG. 7 is a top plan view showing my design; and,
FIG. 8 is a bottom plan view showing my design.

(56) **References Cited**
U.S. PATENT DOCUMENTS
D228,667 S * 10/1973 Anderson, Jr. D26/71
D288,857 S * 3/1987 Spaine D26/72
6,348,686 B1 * 2/2002 Howard G01J 5/02
250/216
D576,333 S * 9/2008 Benensohn D26/72
D621,988 S * 8/2010 Zheng D26/71
D636,920 S * 4/2011 Boissevain D26/71

1 Claim, 8 Drawing Sheets



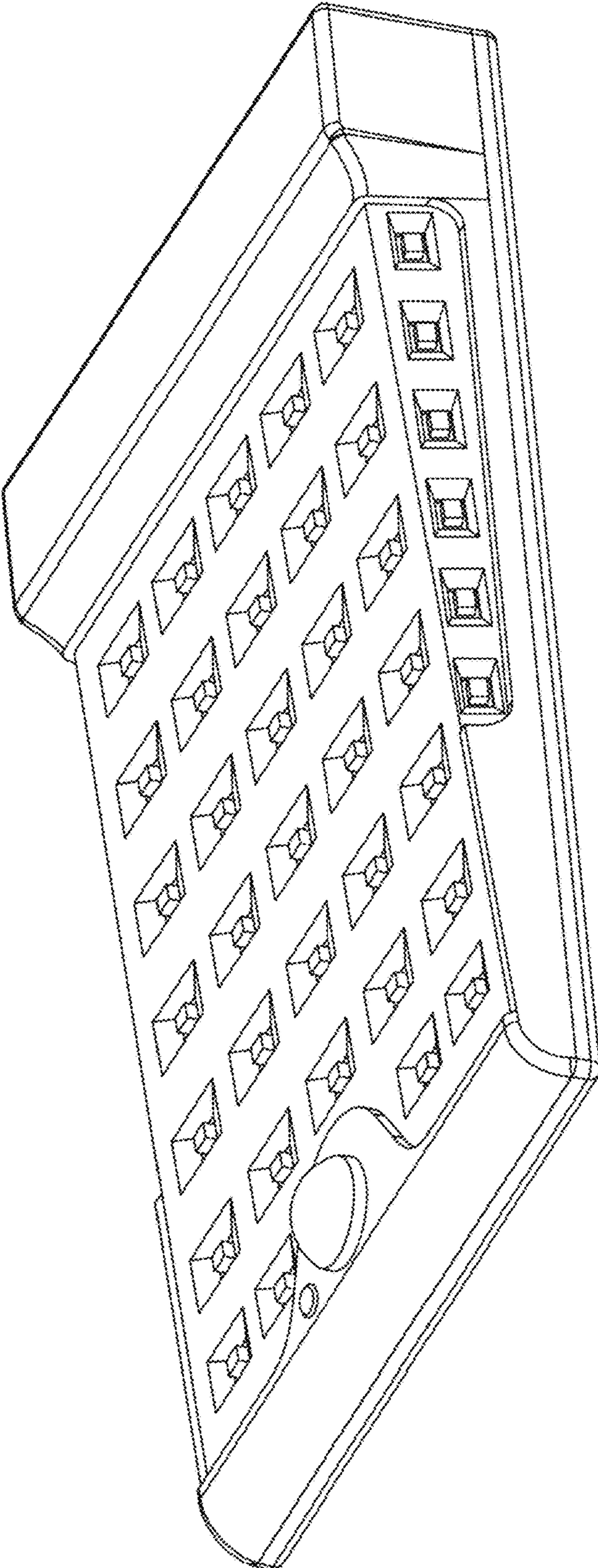


FIG. 1

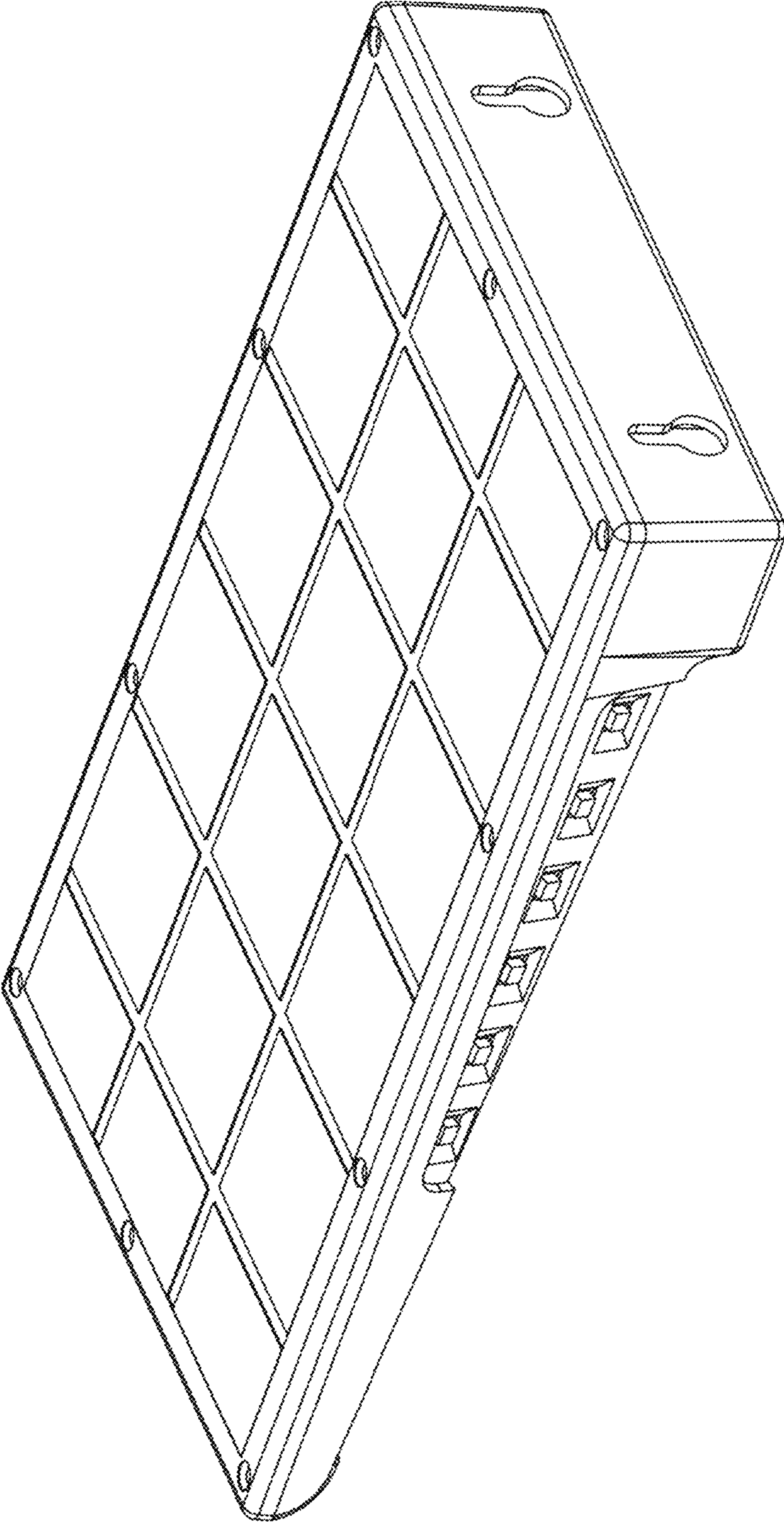


FIG. 2

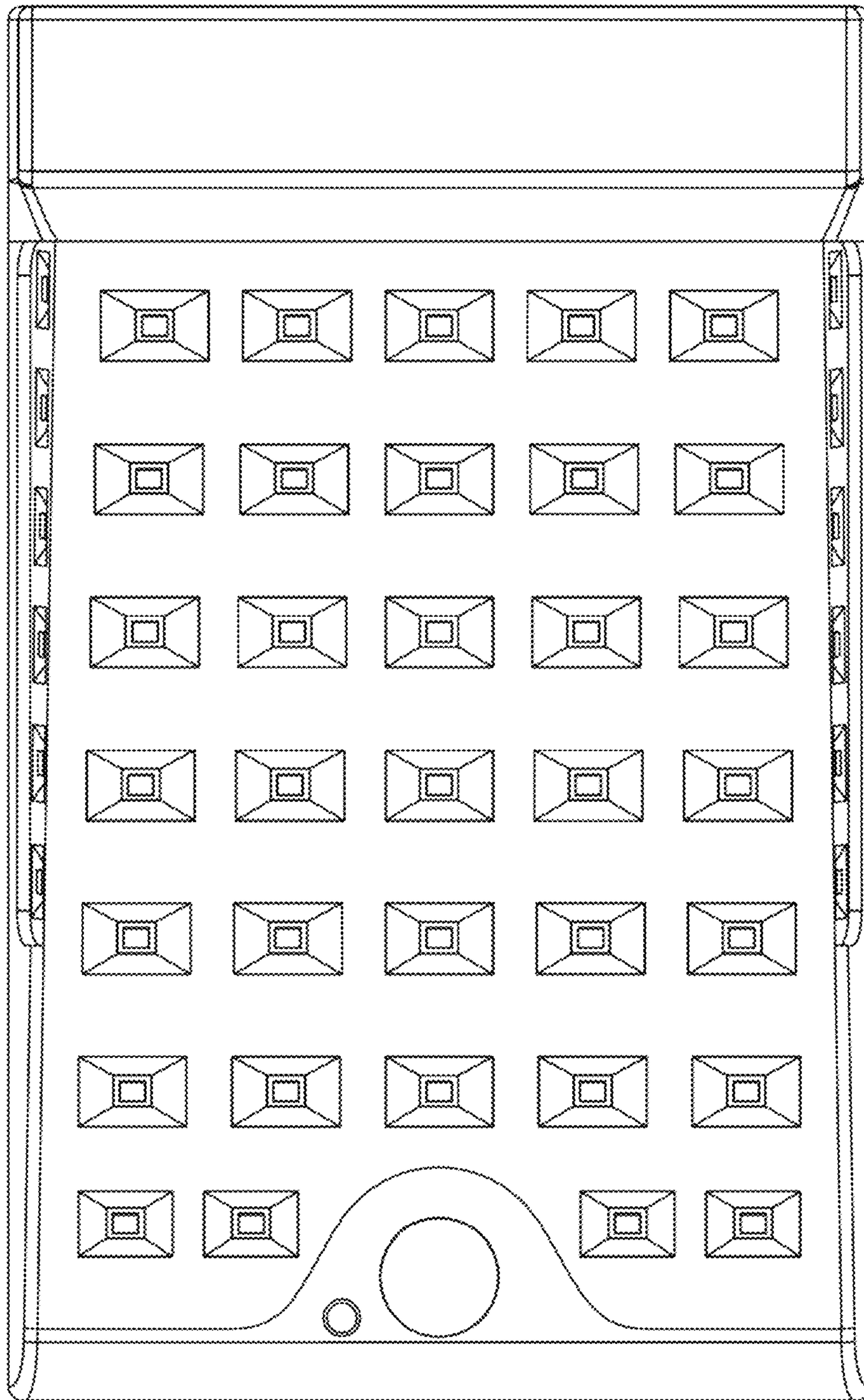


FIG. 3

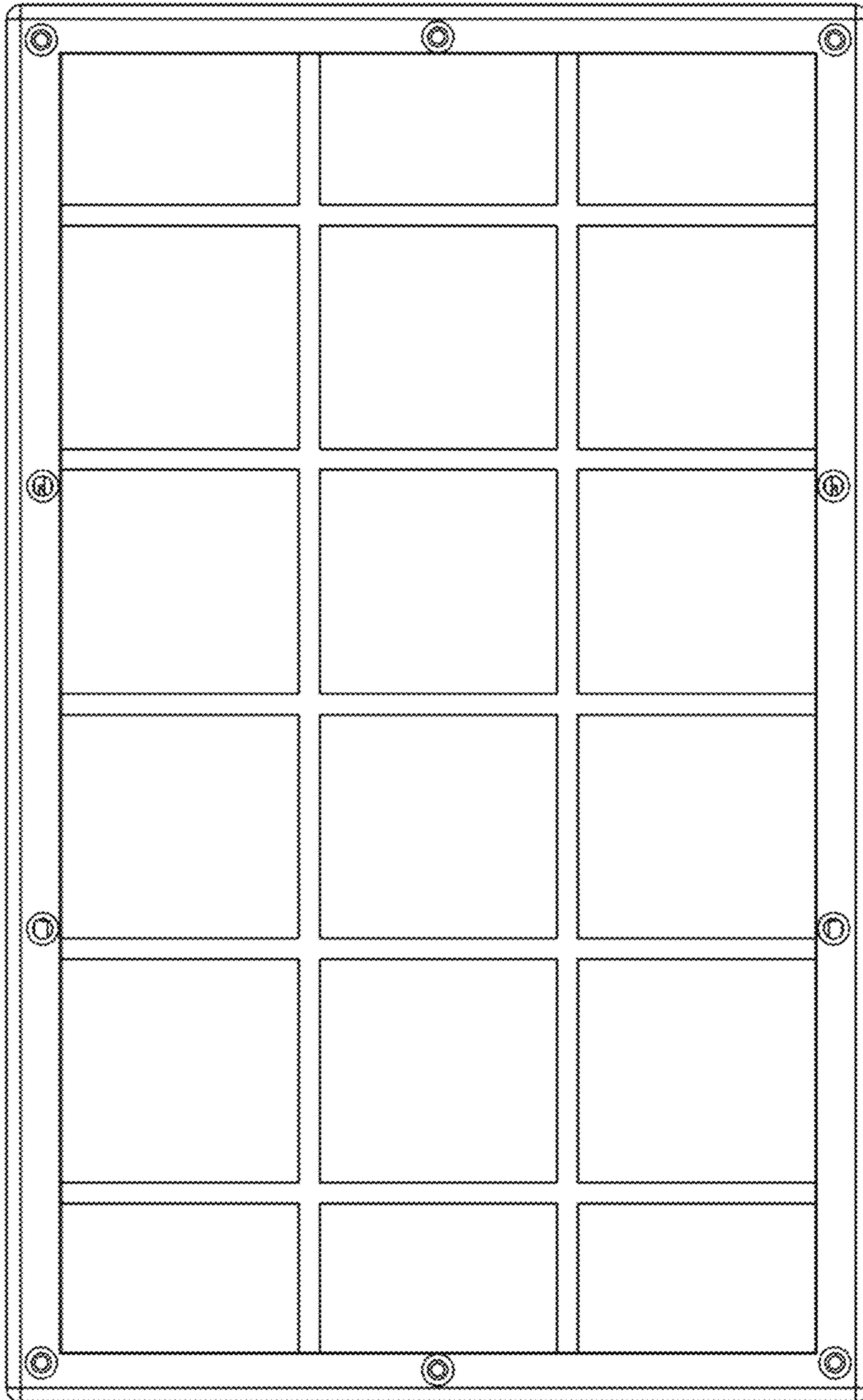


FIG. 4

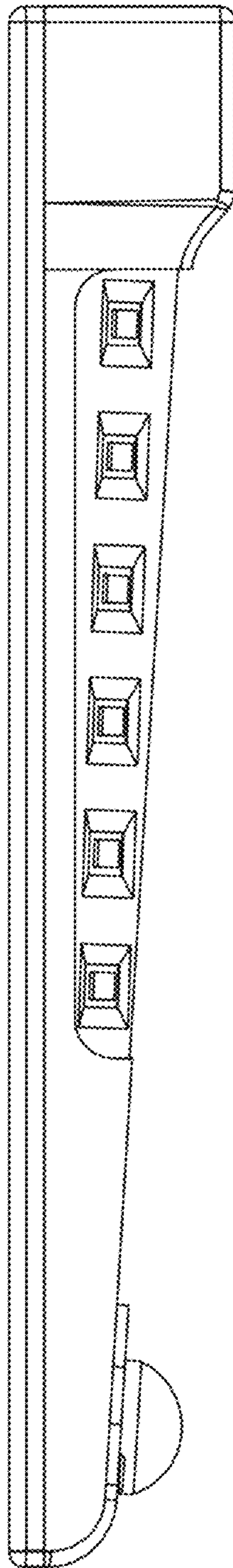


FIG. 5

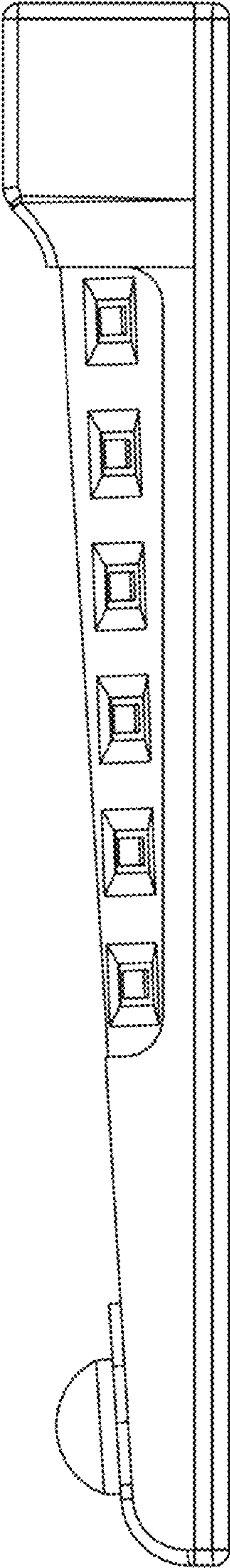


FIG. 6

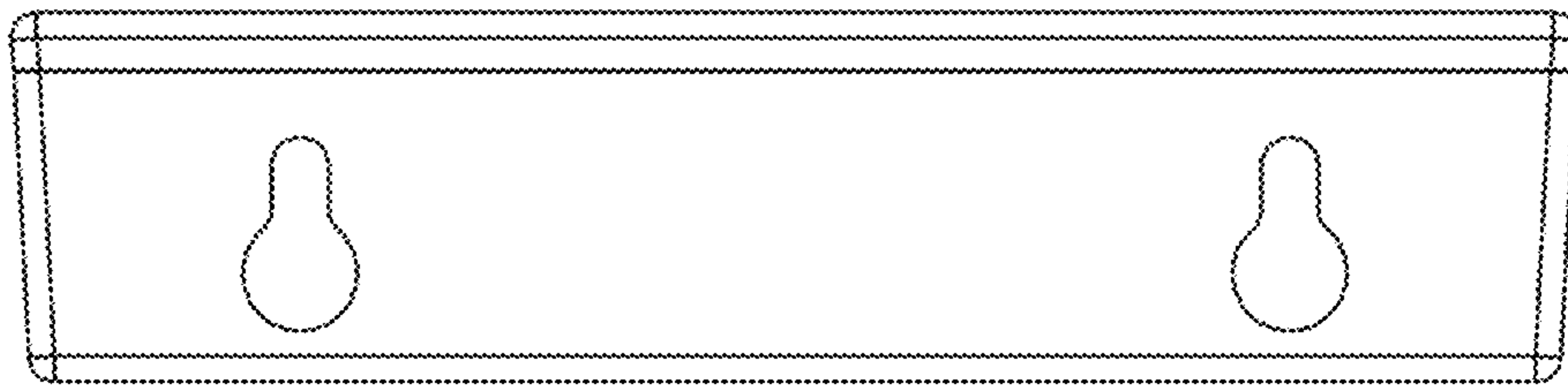


FIG. 7

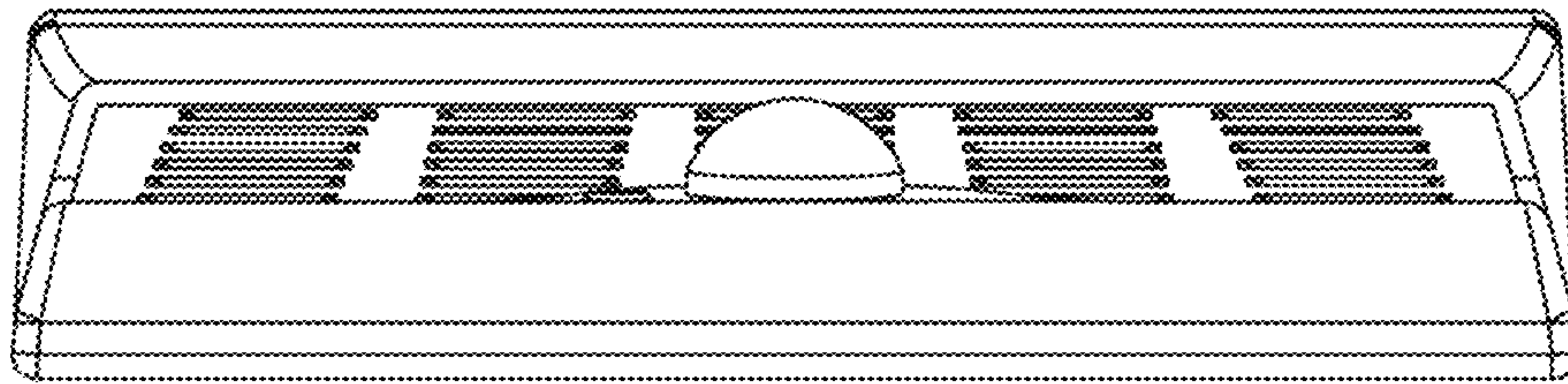


FIG. 8