



US00D870950S

(12) **United States Design Patent**
Tomlinson

(10) **Patent No.:** **US D870,950 S**

(45) **Date of Patent:** **** Dec. 24, 2019**

(54) **LIGHTING FIXTURE**

(71) Applicant: **Hinkley Lighting, Inc.**, Avon Lake, OH (US)

(72) Inventor: **Joel Tomlinson**, Westlake, OH (US)

(73) Assignee: **HINKLEY LIGHTING, INC.**, Avon Lake, OH (US)

(**) Term: **15 Years**

(21) Appl. No.: **29/647,979**

(22) Filed: **May 17, 2018**

Related U.S. Application Data

(62) Division of application No. 29/565,188, filed on May 18, 2016, now Pat. No. Des. 821,024, which is a division of application No. 29/514,754, filed on Jan. 15, 2015, now Pat. No. Des. 760,420.

(51) **LOC (12) Cl.** **26-03**

(52) **U.S. Cl.**
USPC **D26/81; D26/84**

(58) **Field of Classification Search**
USPC D26/80-86, 88, 90, 91, 143, 144
CPC F21S 8/03; F21S 8/04; F21S 8/043; F21S 8/046; F21S 8/06; F21S 8/061; F21S 8/063; F21S 8/065
See application file for complete search history.

(56) **References Cited**

U.S. PATENT DOCUMENTS

D59,525 S	10/1921	Smith	
D66,151 S *	12/1924	Stover	D26/81
3,254,208 A *	5/1966	Moore	F21S 8/06 362/375
3,812,342 A *	5/1974	McNamara, Jr.	F21V 3/04 362/375

(Continued)

OTHER PUBLICATIONS

Hinkley #3335BZ Transitional Five Light Linear Downlight from the Fulton collection. First available at amazon.com Jul. 22, 2014. (Year: 2014).*

(Continued)

Primary Examiner — Clare E Heflin

(74) *Attorney, Agent, or Firm* — Pearne & Gordon LLP

(57) **CLAIM**

The ornamental design for a lighting fixture, as shown and described.

DESCRIPTION

FIGS. 1-15 are drawings of embodiments of the lighting fixture.

FIGS. 1-7 are drawings of a first embodiment of the lighting fixture.

FIG. 1 is a top perspective view of the fixture,

FIG. 2 is a bottom perspective view,

FIG. 3 is a left side view,

FIG. 4 is a front view,

FIG. 5 is a right side view,

FIG. 6 is a top view and

FIG. 7 is a bottom view. This embodiment has front-to-rear mirror-image symmetry.

FIGS. 8-15 are drawings of a second embodiment of the lighting fixture.

FIG. 8 is a top perspective view of the fixture,

FIG. 9 is a bottom perspective view,

FIG. 10 is a rear view,

FIG. 11 is a front view,

FIG. 12 is a left side view,

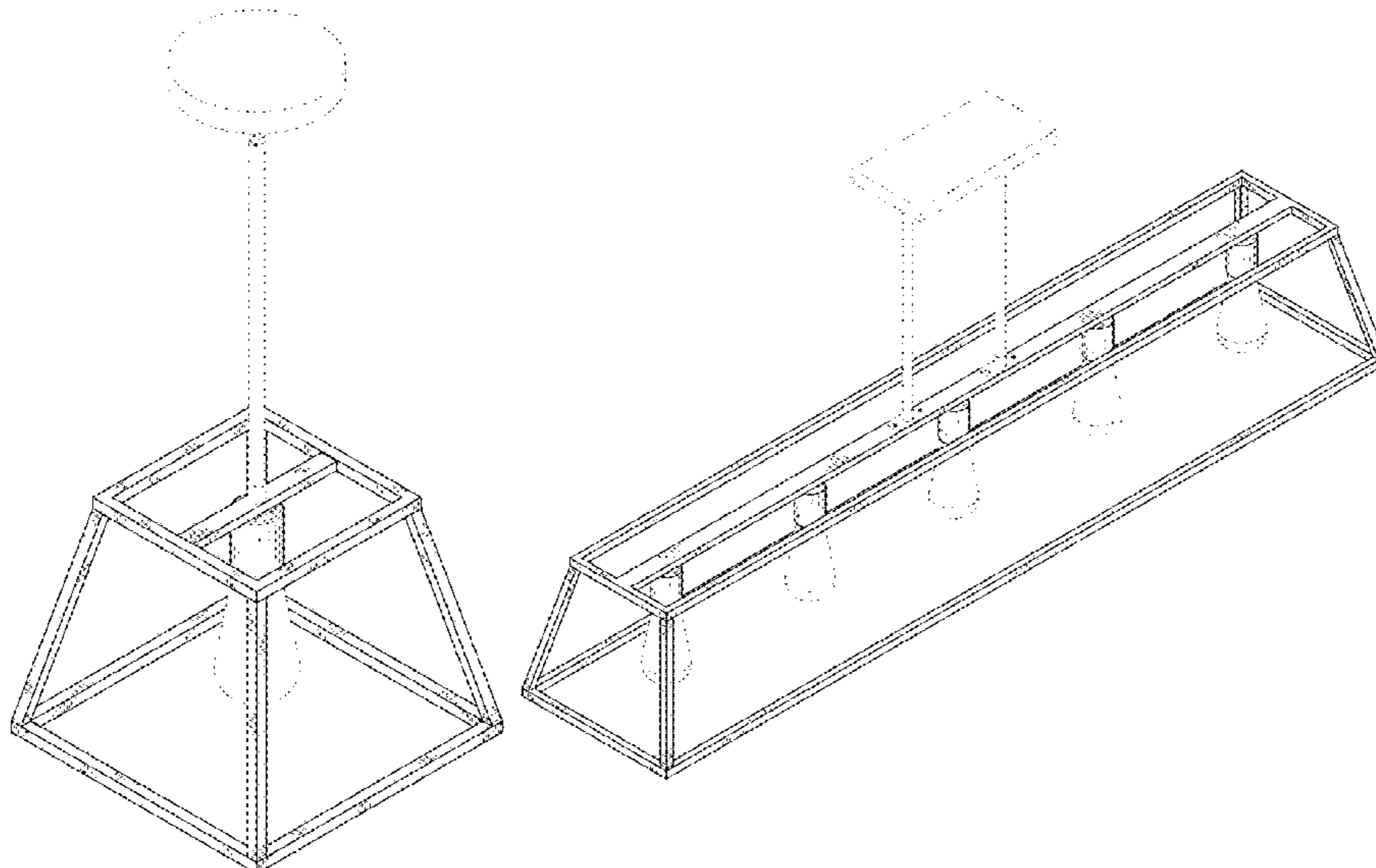
FIG. 13 is a right side view,

FIG. 14 is a top view; and,

FIG. 15 is a bottom view.

Features illustrated in broken lines represent features of the lighting fixture that form no part of the claimed design.

1 Claim, 11 Drawing Sheets



(56)

References Cited

U.S. PATENT DOCUMENTS

D235,914 S 7/1975 Schacht
D240,653 S 7/1976 Eftekhar
D252,531 S * 7/1979 Glassman D26/80
D445,949 S 7/2001 Dolan
D481,484 S * 10/2003 Cuevas D26/84
D493,568 S 7/2004 Parres
D511,858 S 11/2005 Porter
D536,468 S * 2/2007 Crosby D26/84
D592,787 S 5/2009 Chandler
D634,887 S * 3/2011 Kitts D26/143
D638,569 S 5/2011 Heyrman
D668,813 S 10/2012 Orozco
D686,770 S 7/2013 Orozco
D760,420 S 6/2016 Tomlinson
D773,101 S 11/2016 Sonneman
9,777,899 B2 10/2017 Sonneman

D806,305 S 12/2017 Amato et al.
D821,024 S * 6/2018 Tomlinson D26/138
D835,322 S * 12/2018 Nicholas D26/81
D837,435 S * 1/2019 Richardson D26/82
2009/0213581 A1 8/2009 Gauger
2015/0116998 A1 * 4/2015 Feit F21V 29/70
362/235
2019/0162376 A1 * 5/2019 Sonneman F21S 8/061

OTHER PUBLICATIONS

Sleek Minimalist Chandelier—5 light, SKU CH14142 BZ from shadesoflight.com visited Aug. 12, 2019. (Year: 2019).*
Natarsha 5-Light Kitchen Island Linear Pendant at birchlane.com as early as Mar. 28, 2018. (Year: 2018).*
Industrial Wire Chic Island Chandelier. Item H on p. 31 of Shades of Light—Red Hot Style 2012 Catalog. 2 pages. 2012.

* cited by examiner

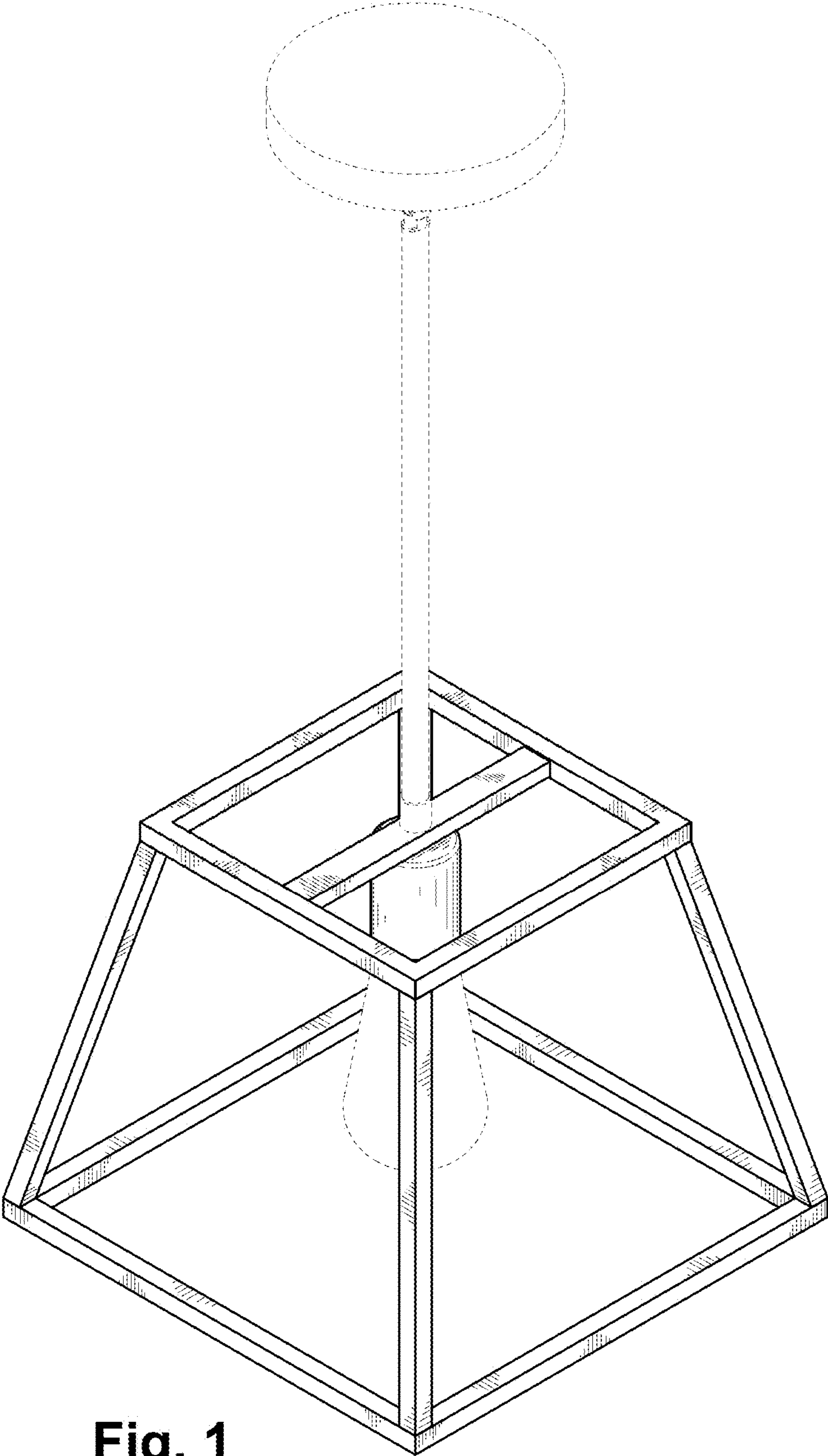


Fig. 1

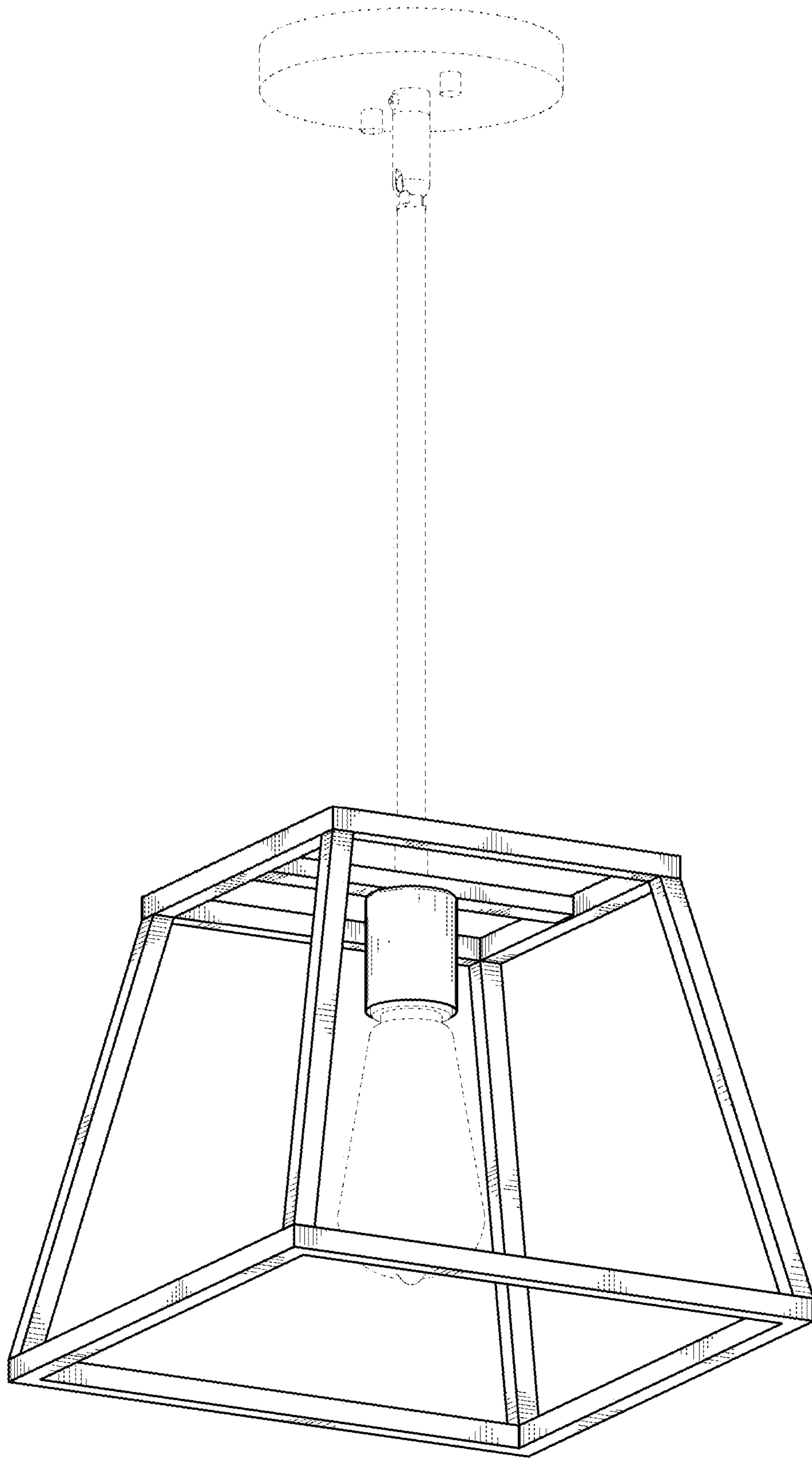


Fig. 2

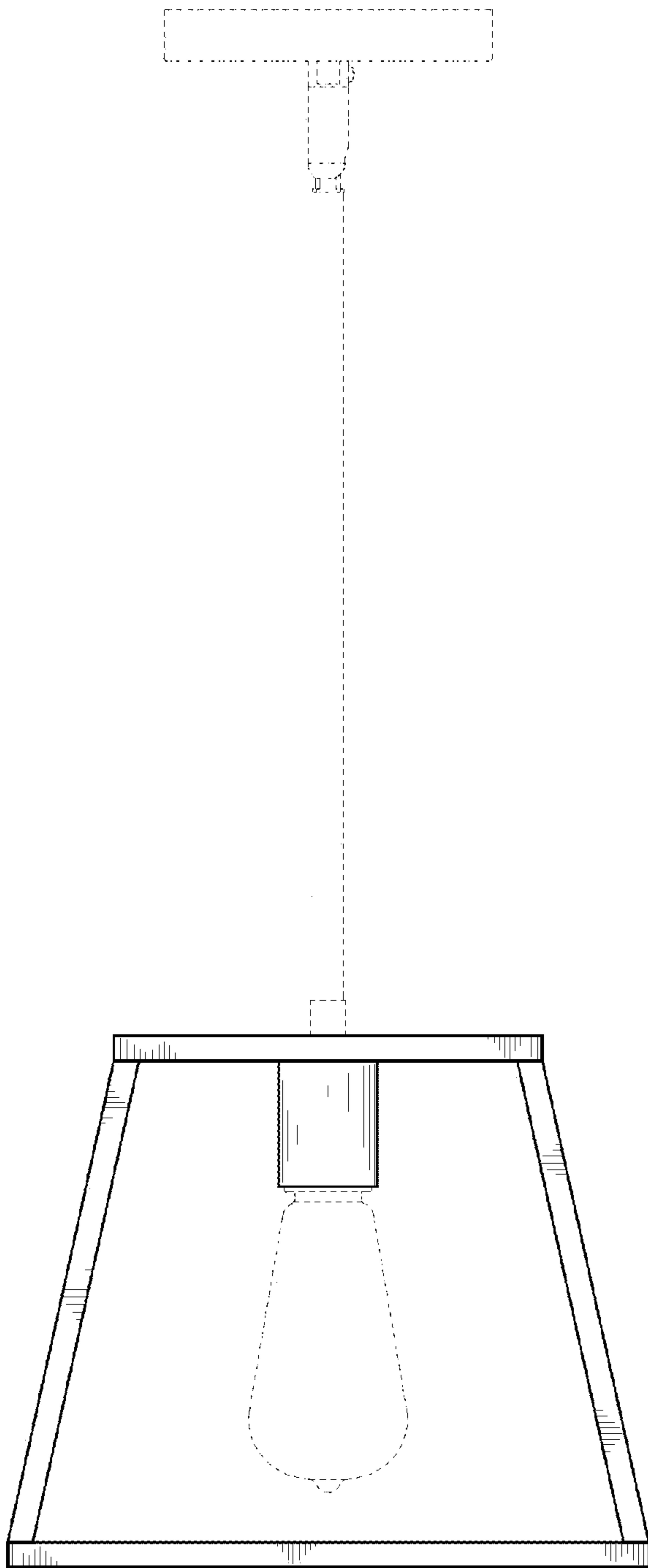


Fig. 3

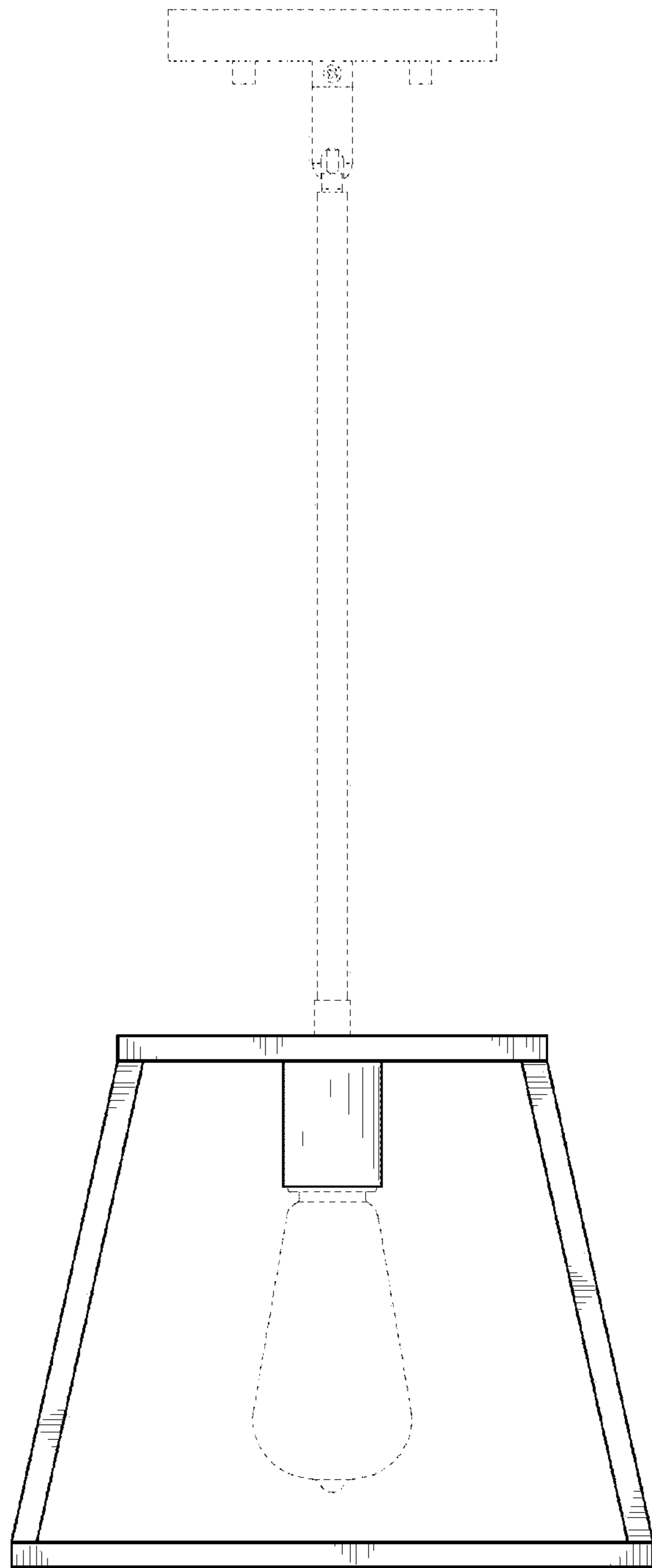


Fig. 4

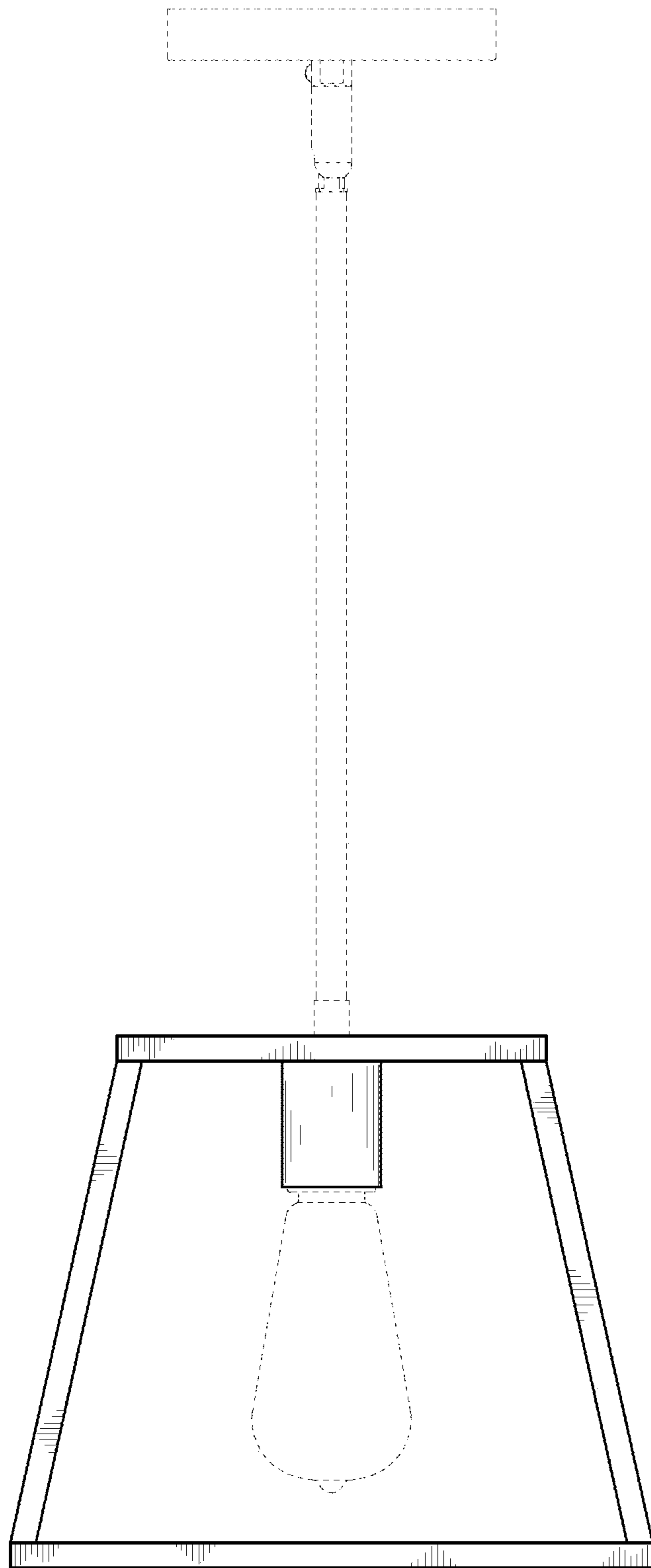


Fig. 5

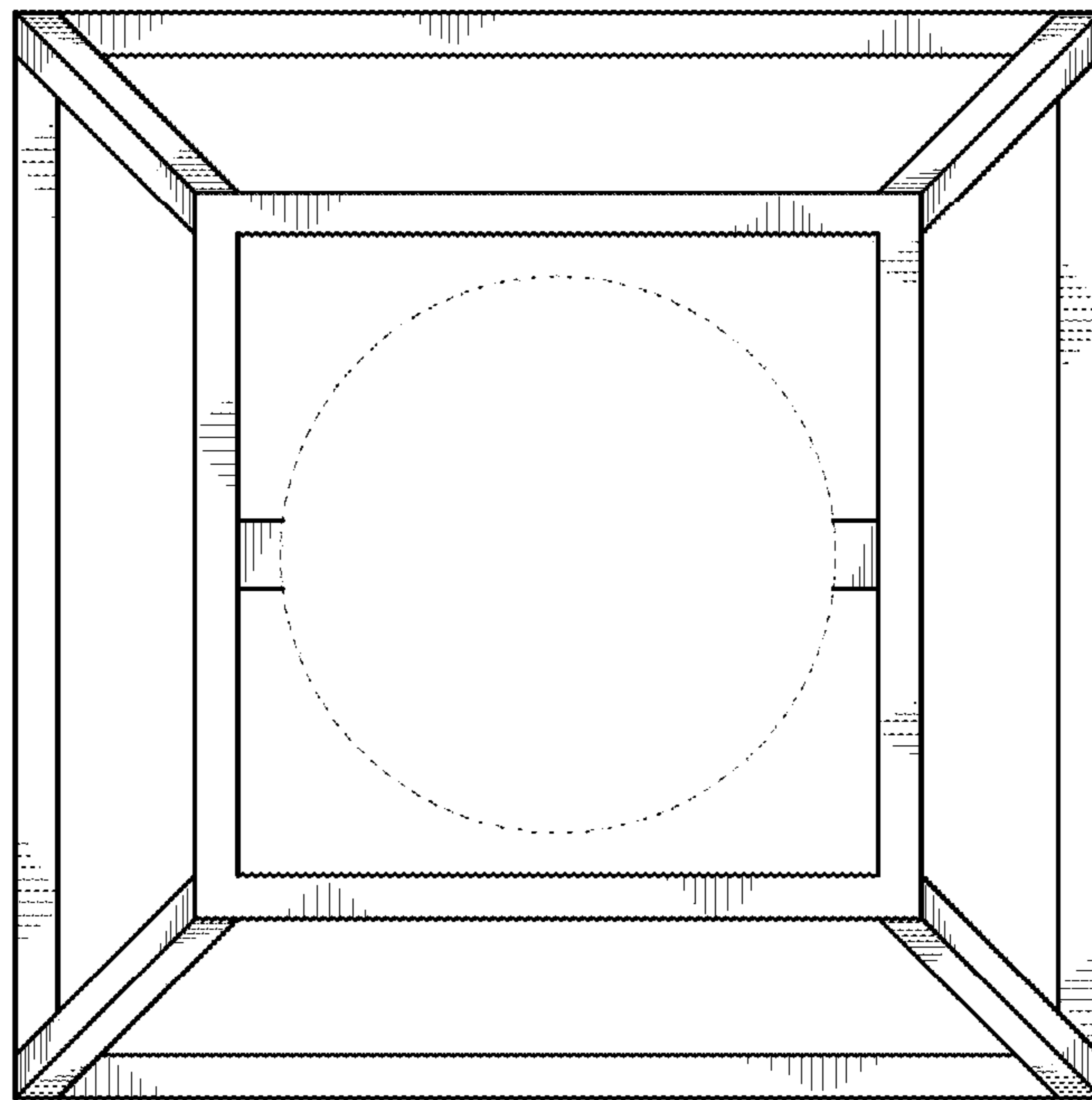


Fig. 6

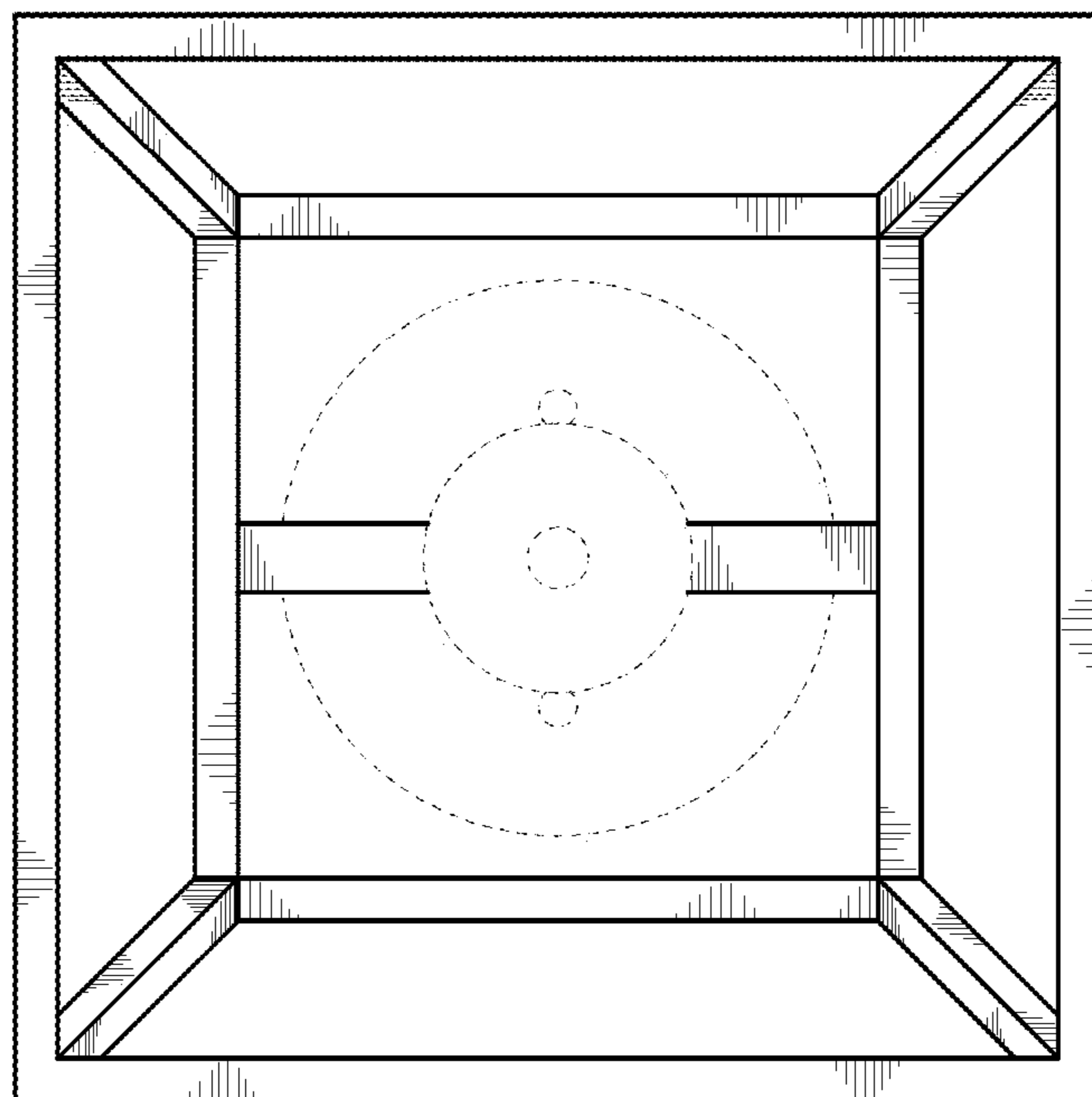


Fig. 7

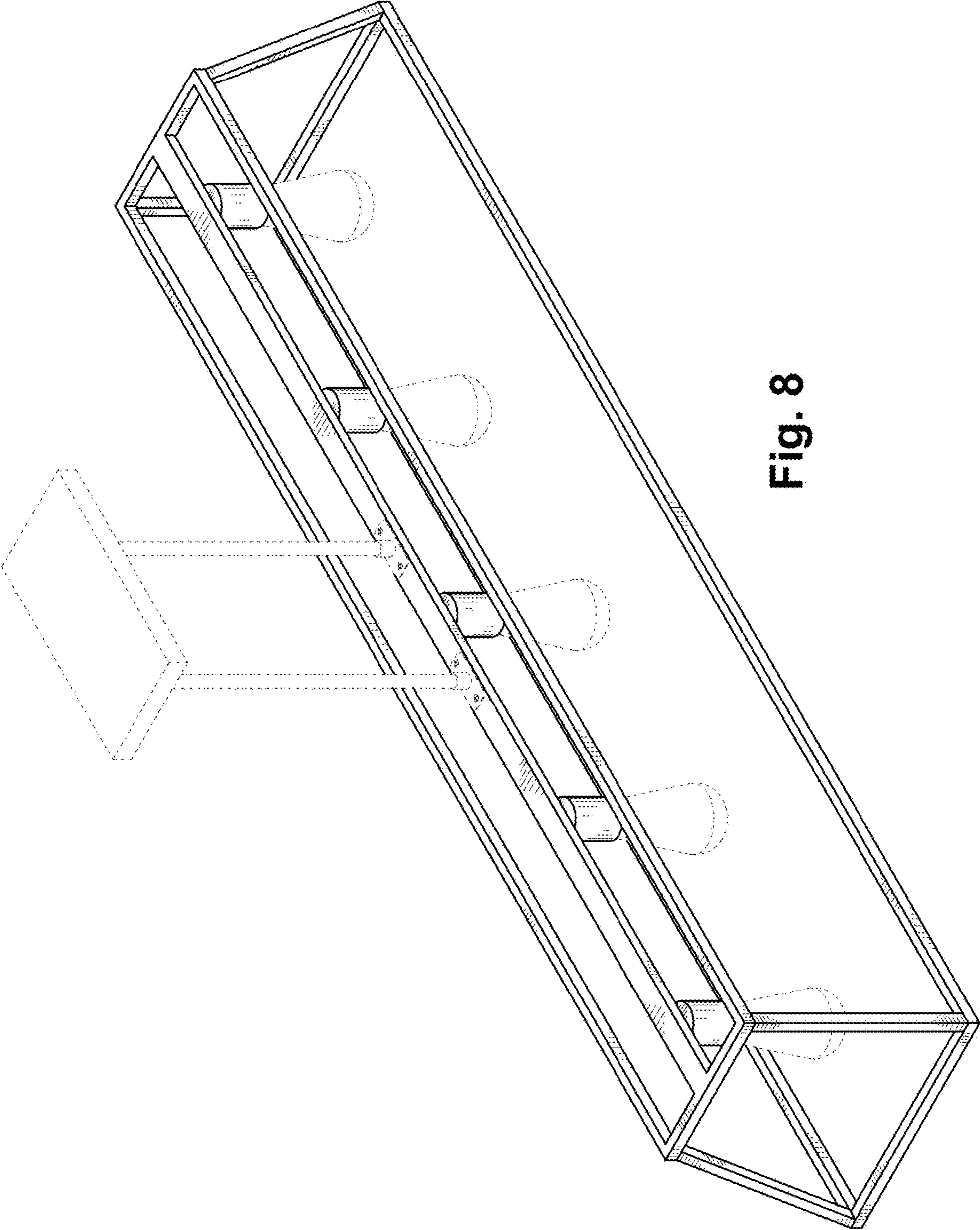


Fig. 8

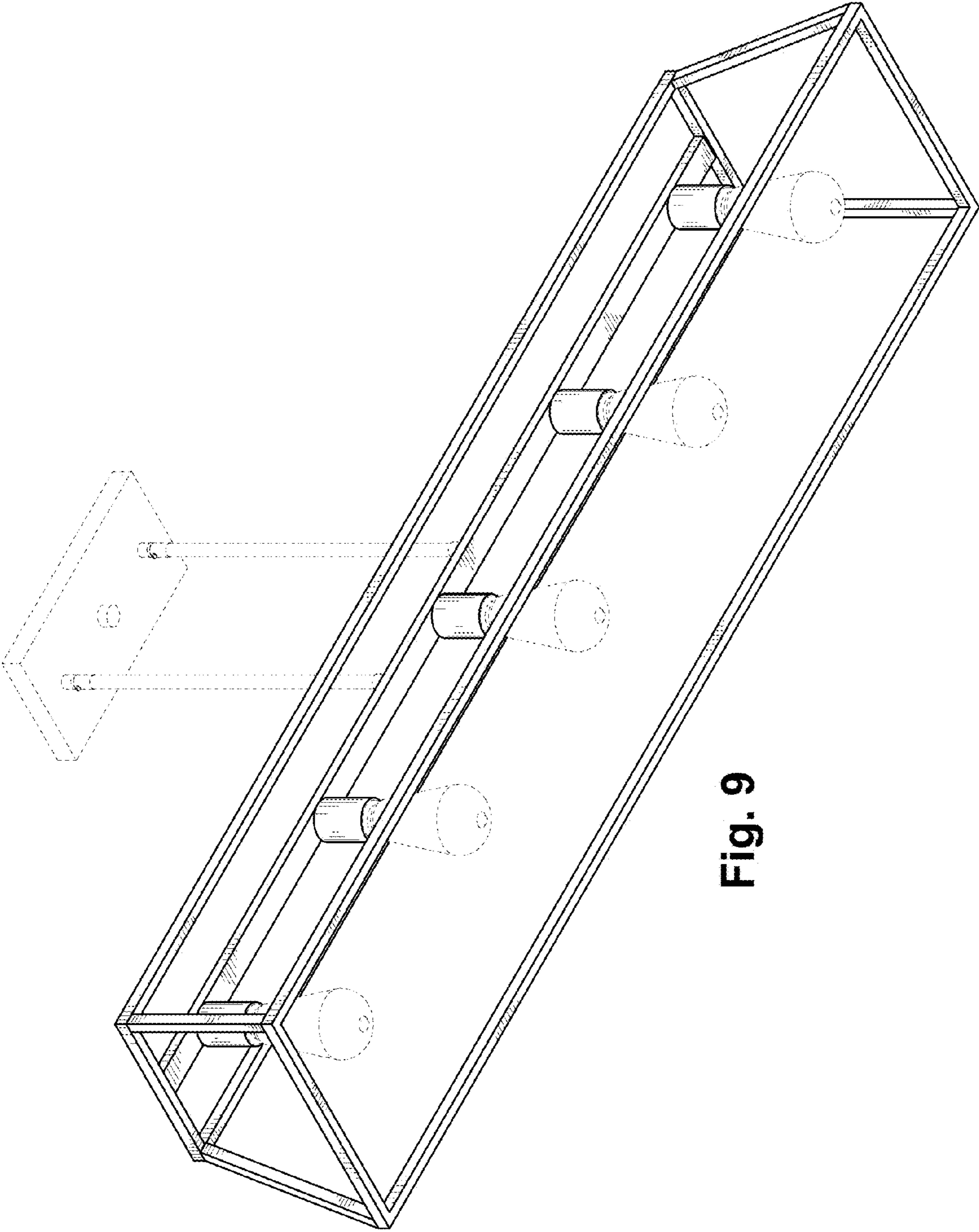


Fig. 9

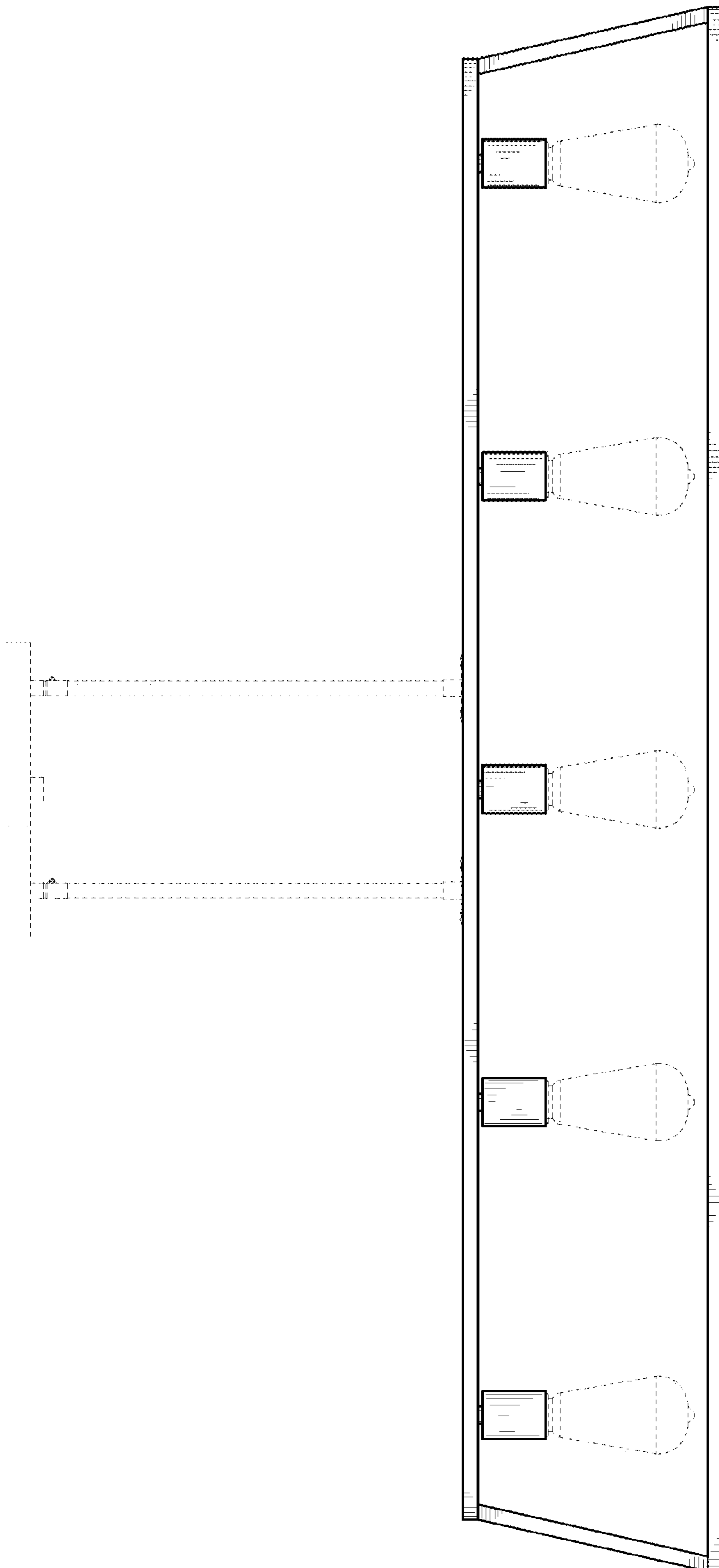


Fig. 10

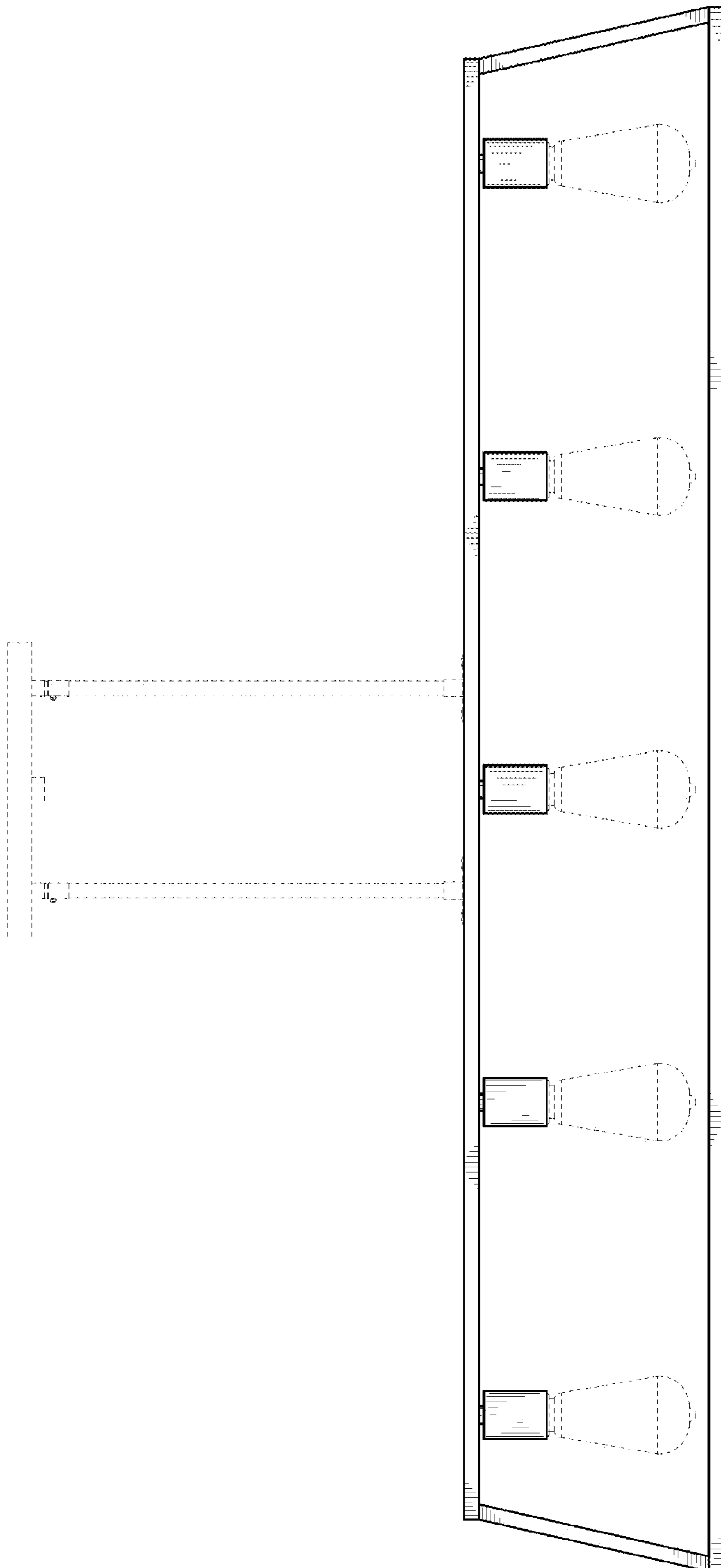


Fig. 11

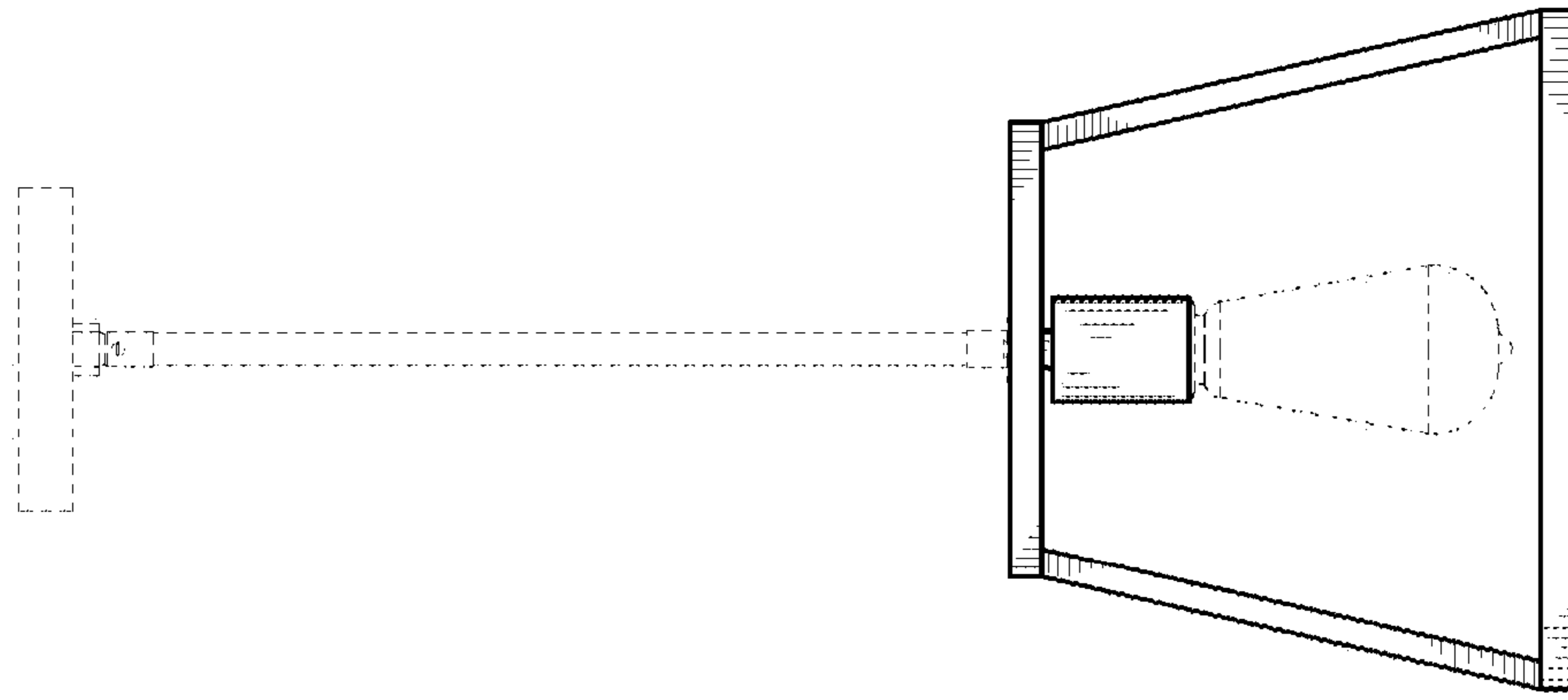


Fig. 13

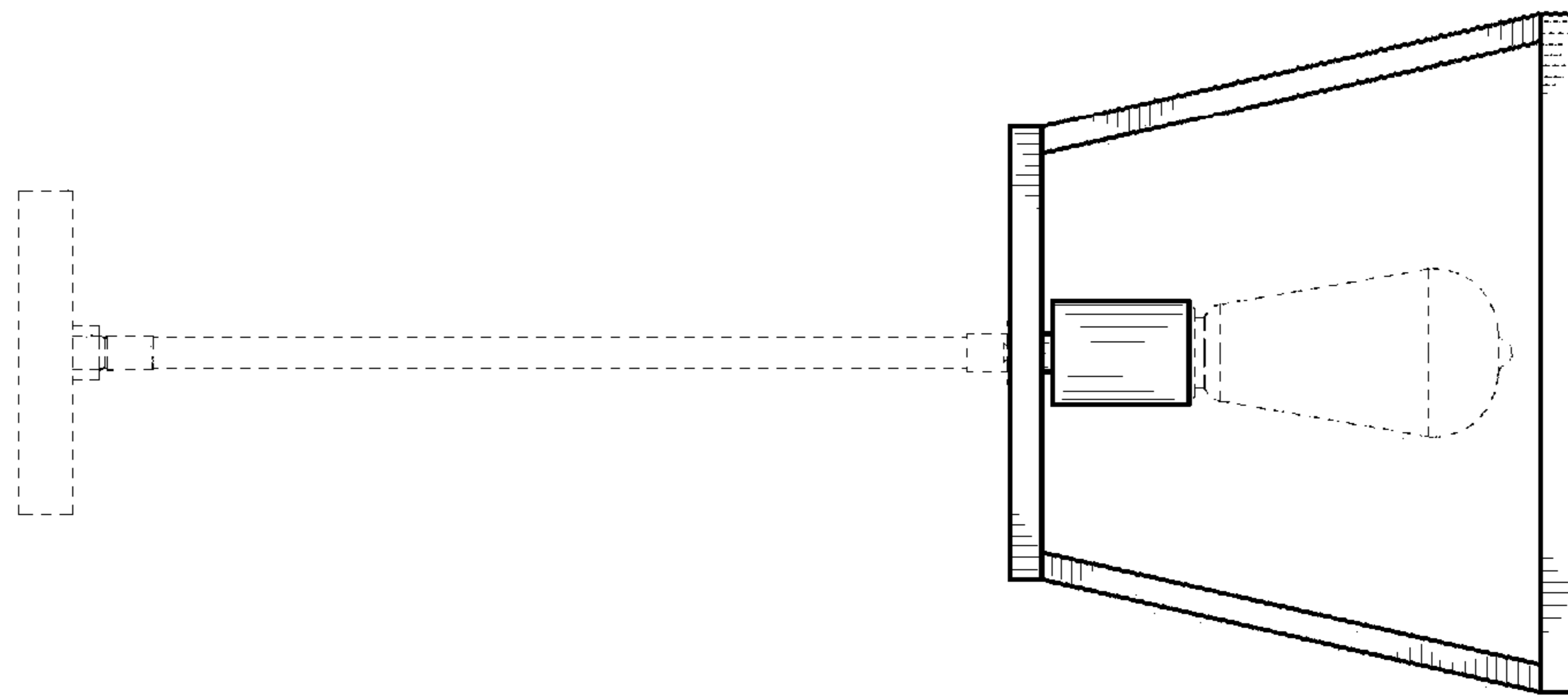


Fig. 12

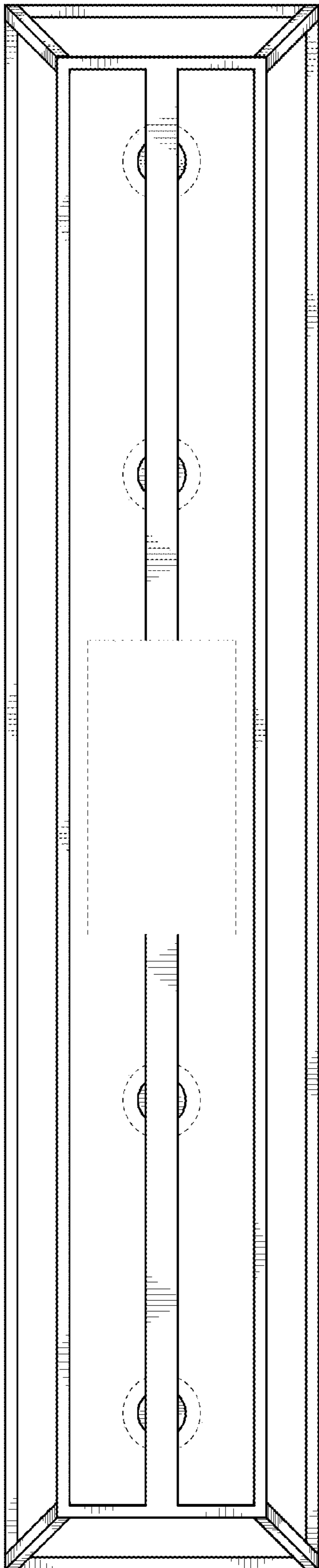


Fig. 14

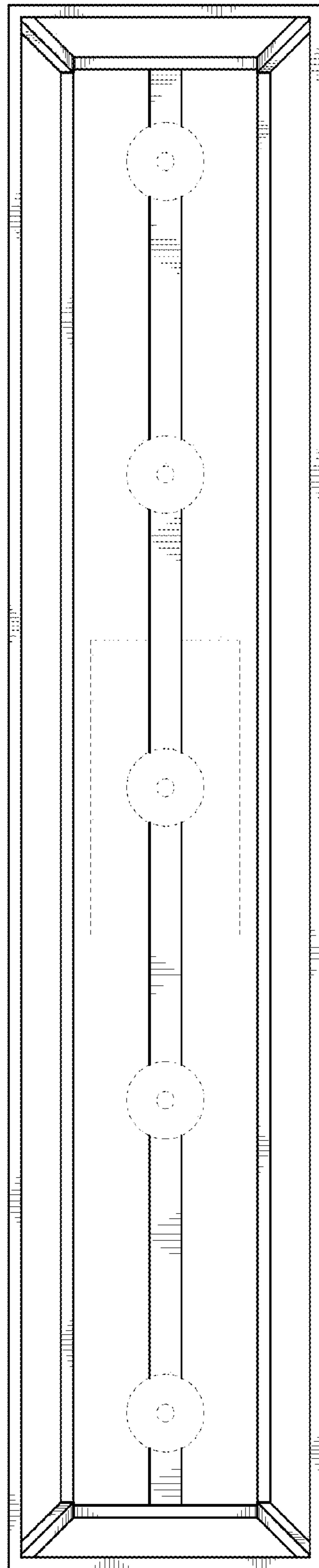


Fig. 15