



US00D870949S

(12) **United States Design Patent**  
**Li**

(10) **Patent No.:** **US D870,949 S**

(45) **Date of Patent:** **\*\* Dec. 24, 2019**

(54) **SHOEBOX LAMP**

(71) Applicant: **Torshare Ltd.**, Shenzhen, Guangdong (CN)

(72) Inventor: **Mantie Li**, Guangdong (CN)

(73) Assignee: **Torshare Ltd.**, Shenzhen (CN)

(\*\*) Term: **15 Years**

(21) Appl. No.: **29/667,506**

(22) Filed: **Oct. 22, 2018**

(51) **LOC (12) Cl.** ..... **26-03**

(52) **U.S. Cl.**  
USPC ..... **D26/71**

(58) **Field of Classification Search**  
USPC ..... D26/63, 71, 72, 92  
CPC .. F21S 8/085; F21S 8/086; F21S 8/068; F21S 9/03; F21S 9/037; F21W 2131/103; F21W 2131/107; F21W 2131/109  
See application file for complete search history.

(56) **References Cited**

**U.S. PATENT DOCUMENTS**

D710,046 S \* 7/2014 Mocek ..... D26/71  
D819,859 S \* 6/2018 Zou ..... D26/71

10,228,103 B1 \* 3/2019 Zhou ..... F21V 23/0471  
D850,693 S \* 6/2019 Pan ..... D26/71  
D850,694 S \* 6/2019 Pan ..... D26/71  
D860,497 S \* 9/2019 Zhu ..... D26/71  
2017/0030570 A1 \* 2/2017 Yang ..... F21V 29/763  
2017/0307197 A1 \* 10/2017 Clark ..... F21S 8/086  
2019/0162401 A1 \* 5/2019 Verdes ..... F21S 8/085

\* cited by examiner

*Primary Examiner* — Clare E Heflin

(57) **CLAIM**

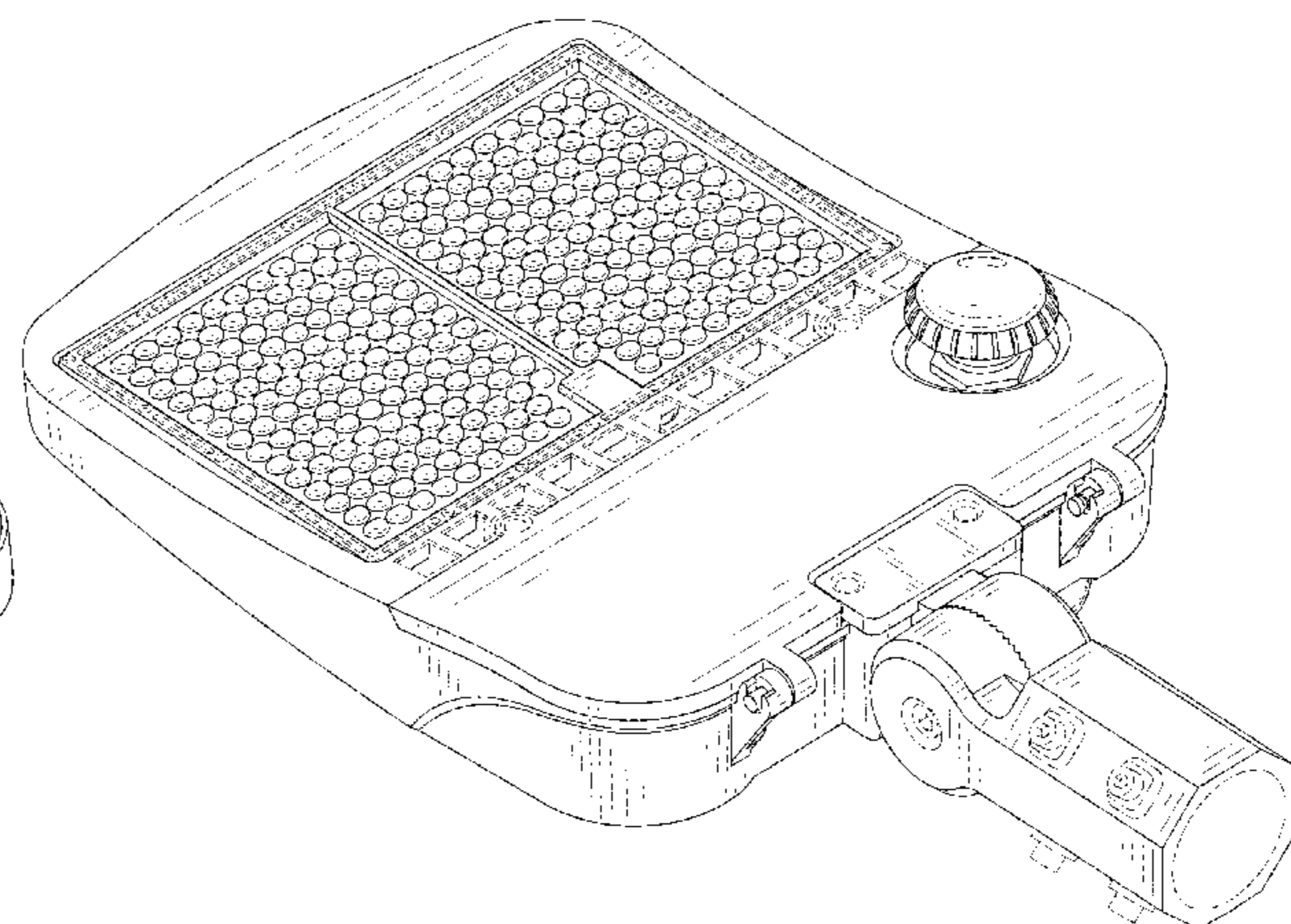
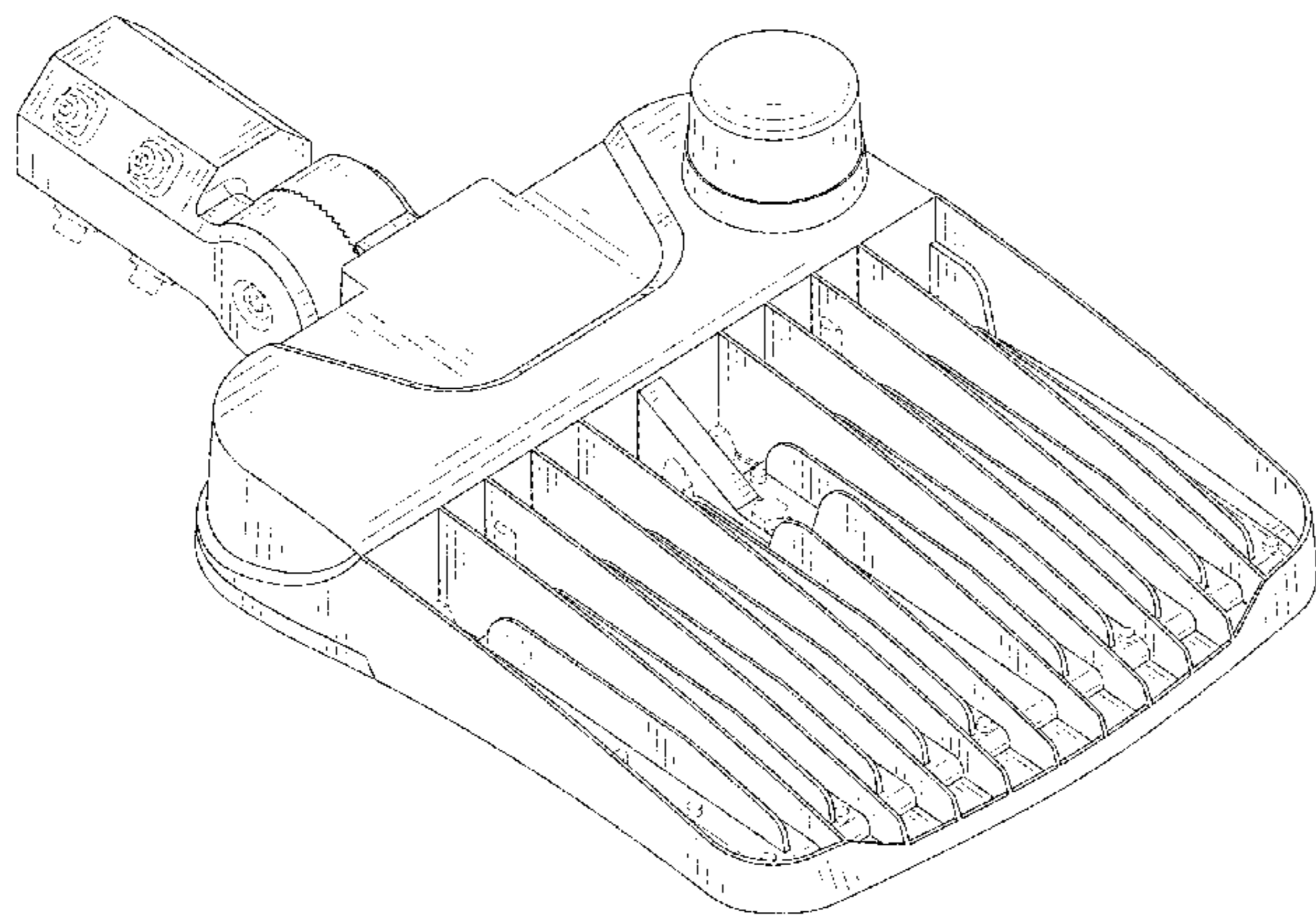
The ornamental design for a shoebox lamp, as shown and described.

**DESCRIPTION**

FIG. 1 is a top, front and left side perspective view of a shoebox light showing my new design;  
FIG. 2 is a top, rear and right side perspective view thereof;  
FIG. 3 is a bottom, rear and left side perspective view thereof;  
FIG. 4 is a top plan view thereof;  
FIG. 5 is a bottom plan view thereof;  
FIG. 6 is a left side elevational view thereof;  
FIG. 7 is a right side elevational view thereof;  
FIG. 8 is a rear elevational view thereof; and,  
FIG. 9 is a front elevational view thereof.

The broken lines in the drawings illustrate portions of the shoebox lamp which form no part of the claimed design.

**1 Claim, 9 Drawing Sheets**



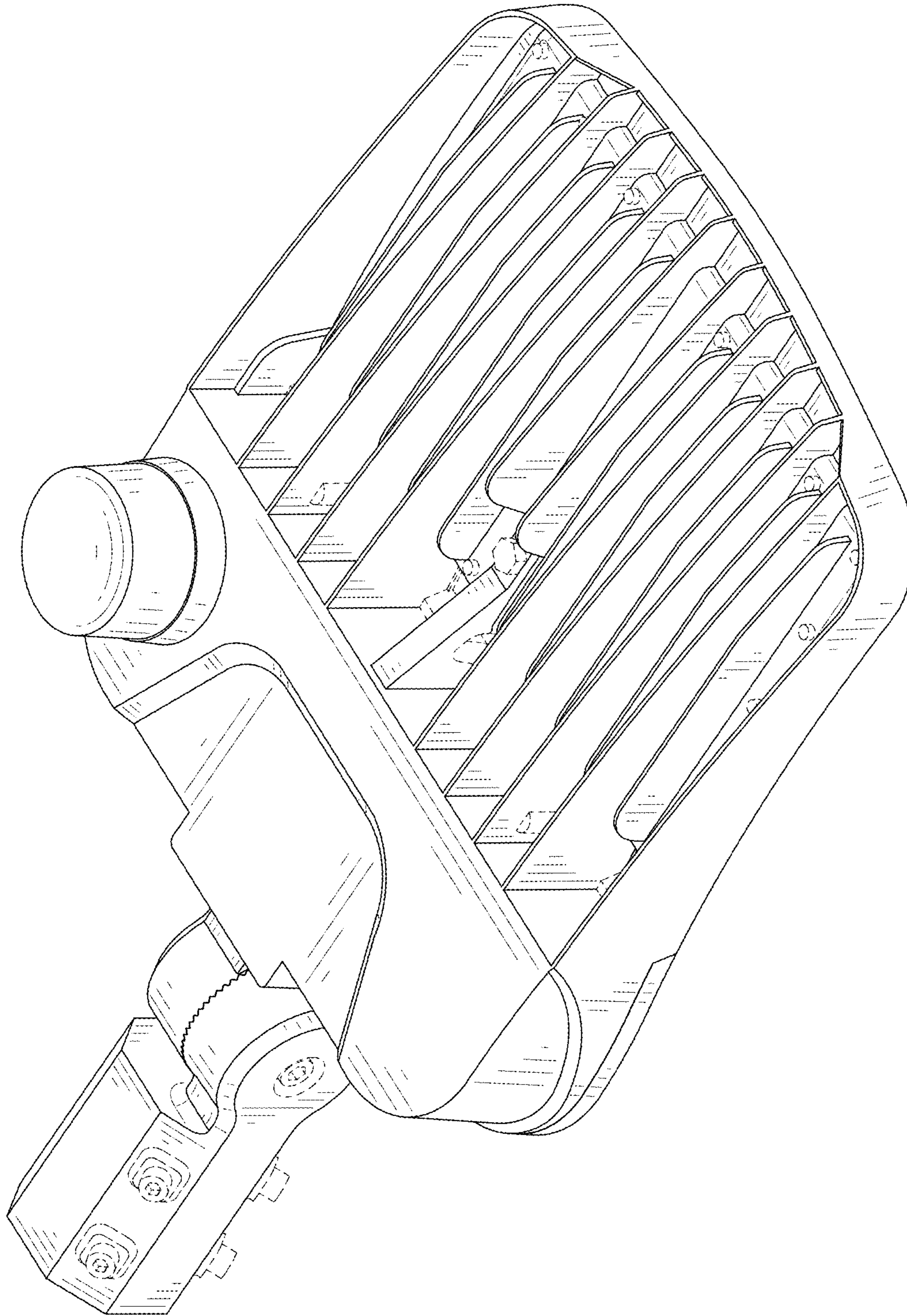


FIG. 1

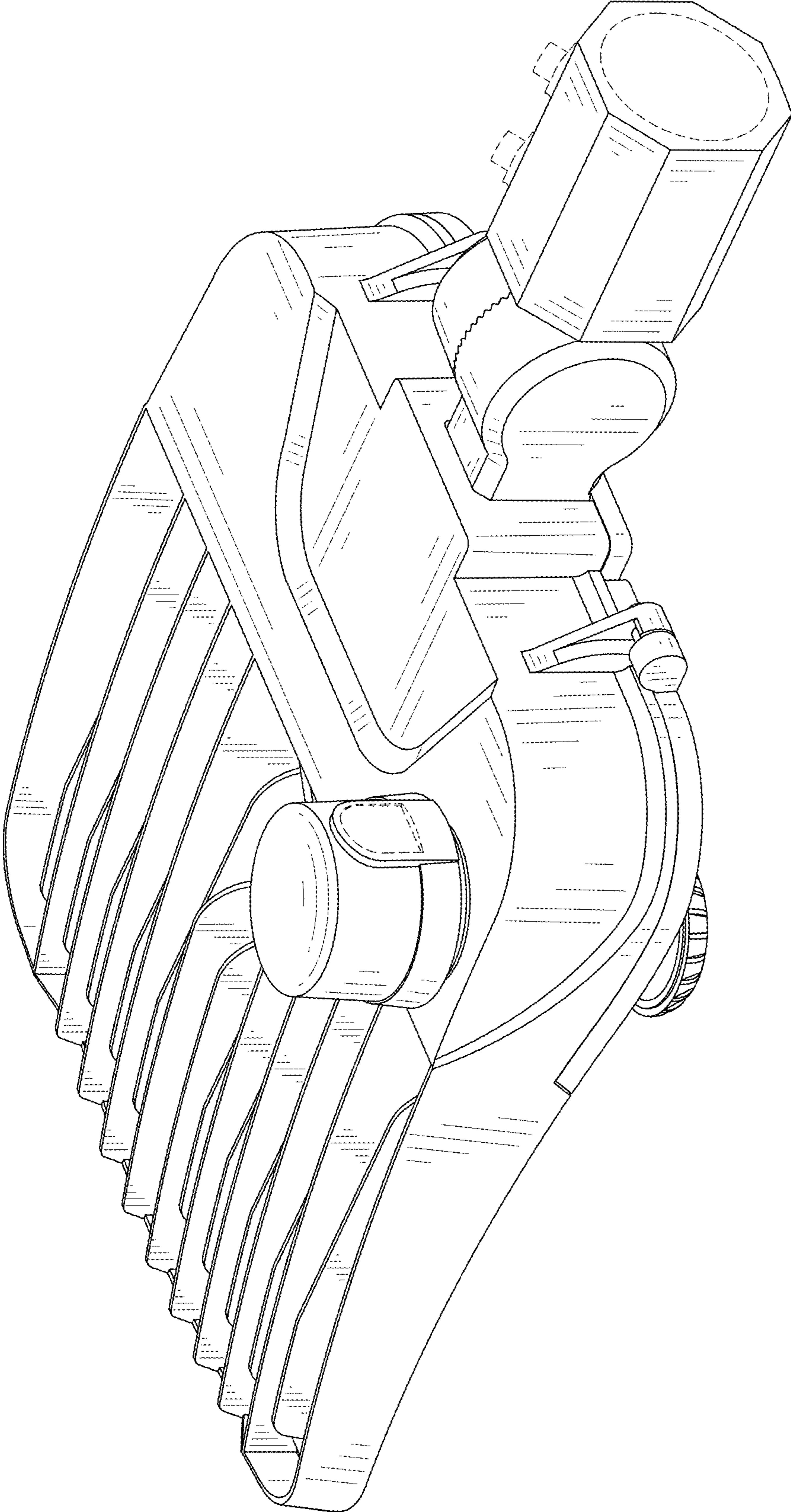


FIG. 2

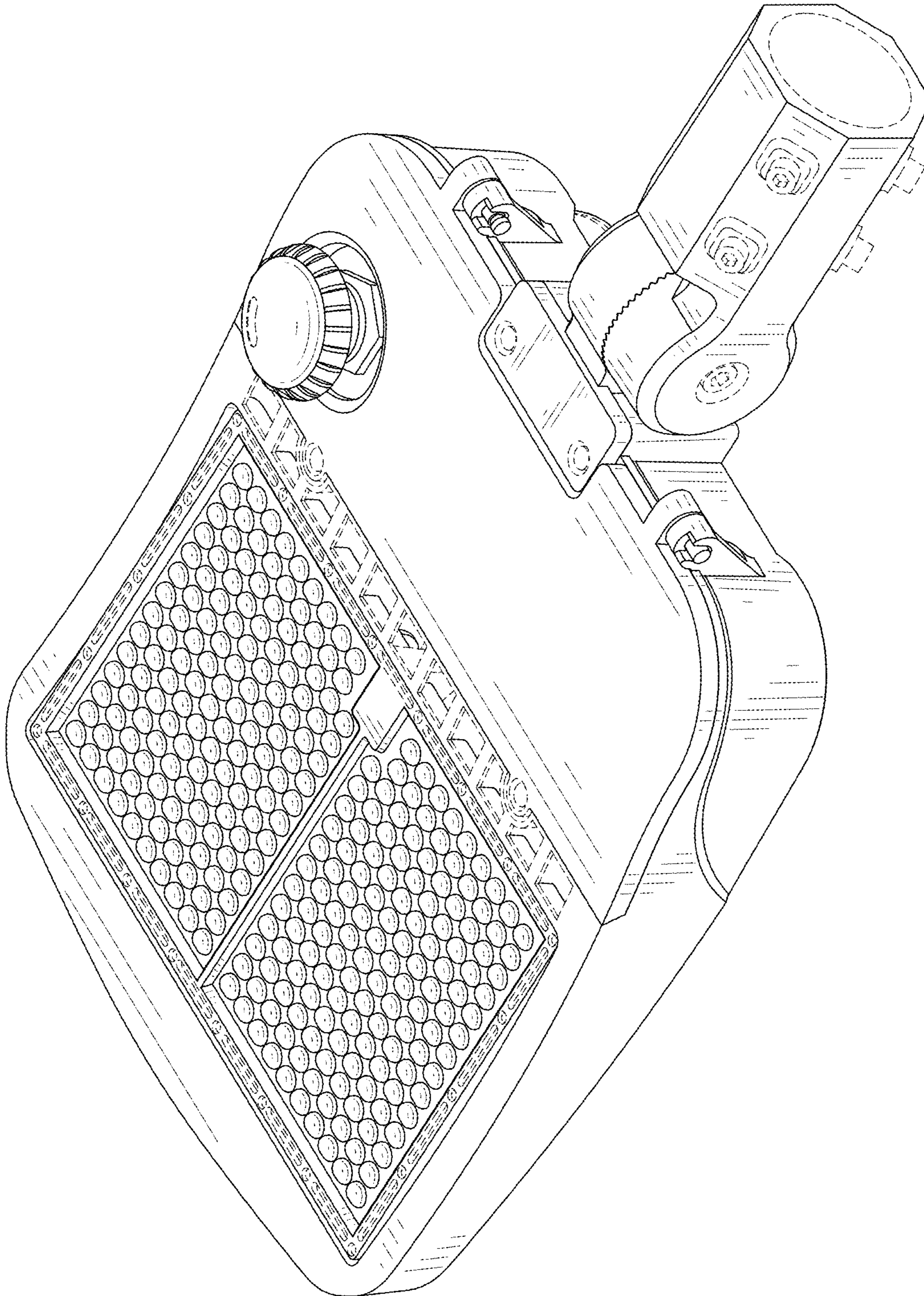


FIG. 3

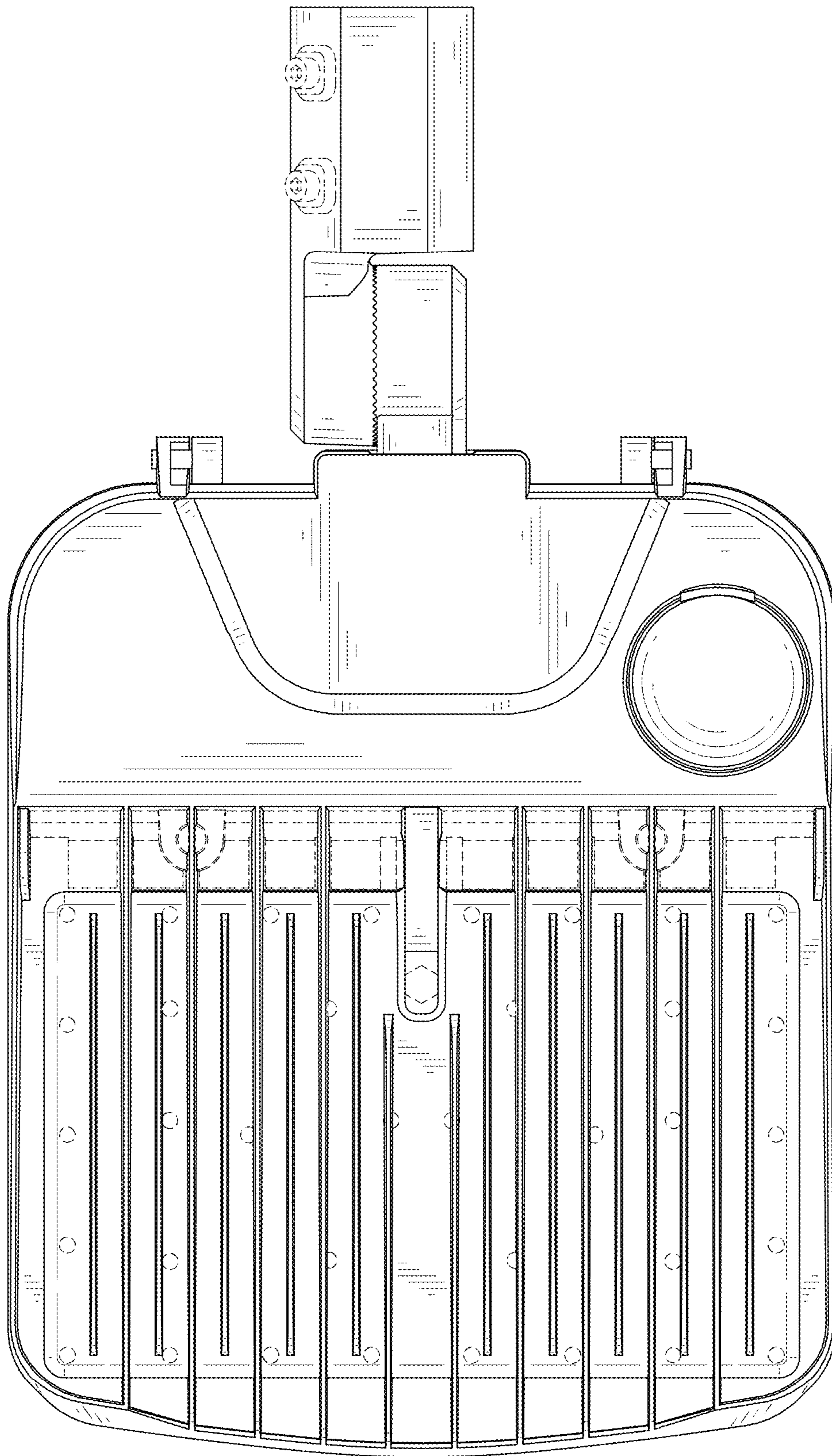


FIG. 4

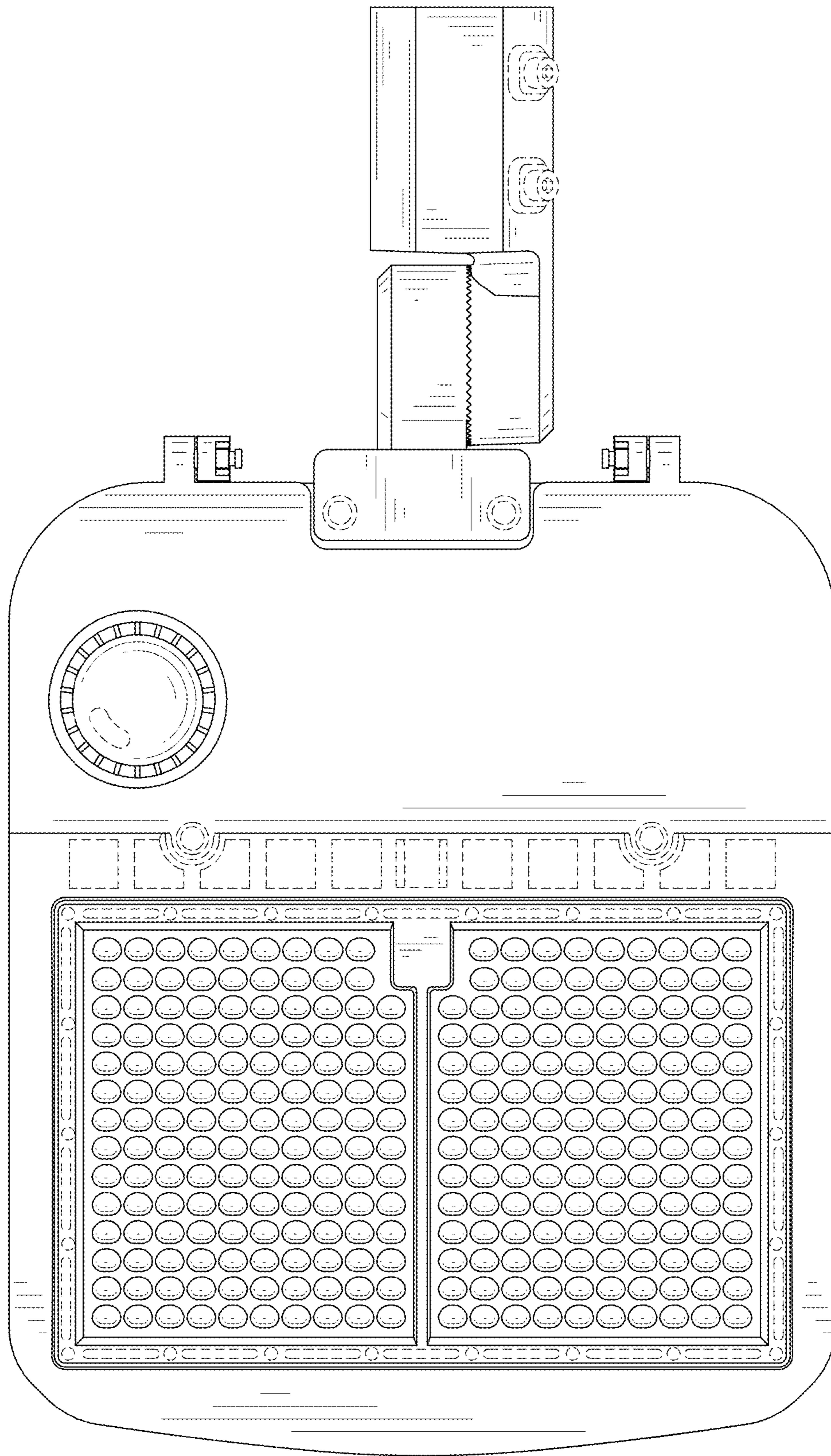


FIG. 5

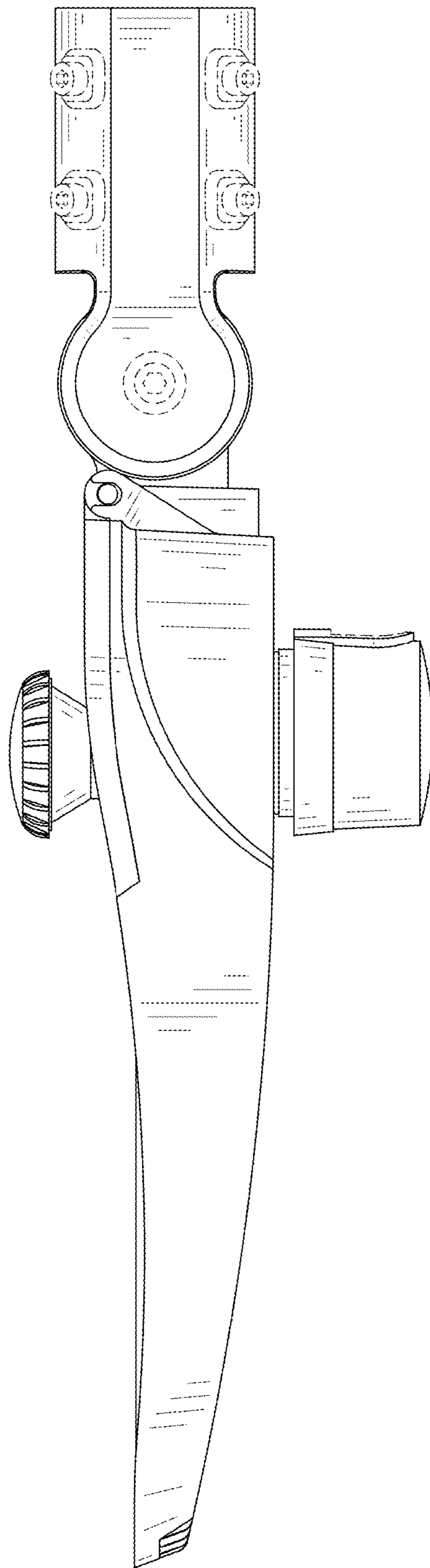


FIG. 6

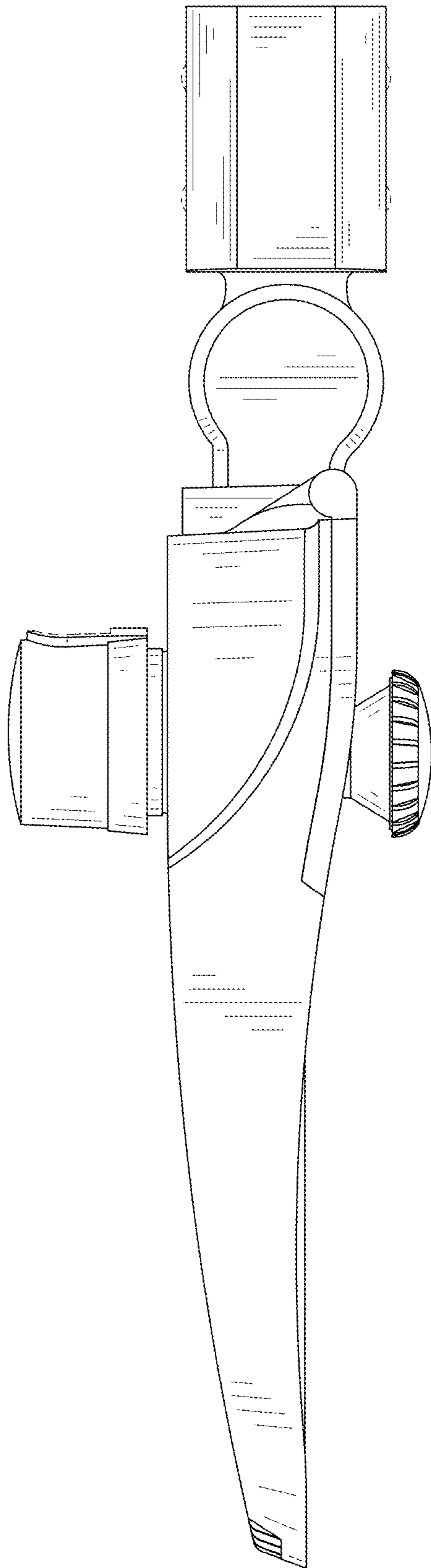


FIG. 7



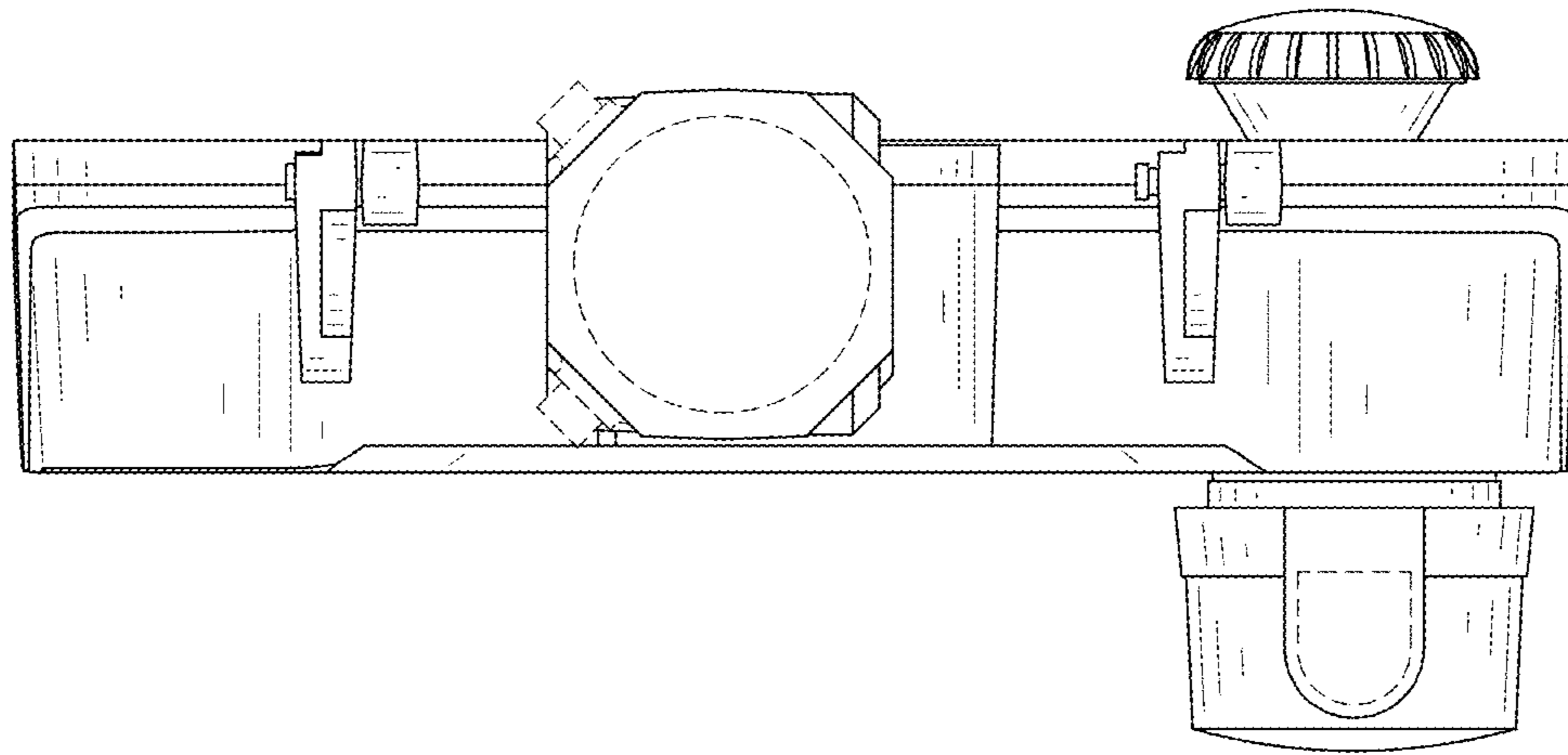


FIG. 8

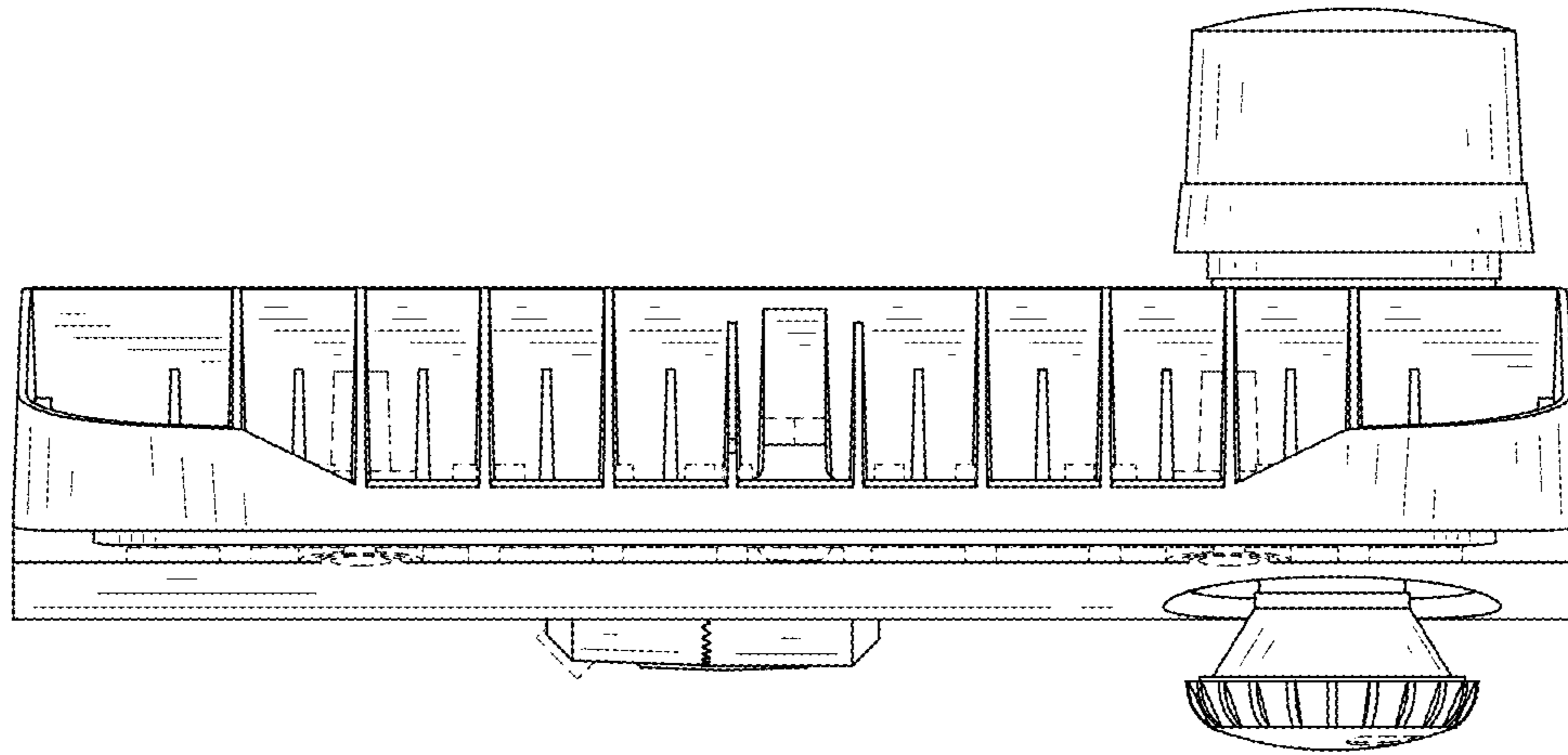


FIG. 9