



US00D870948S

(12) **United States Design Patent**
He et al.

(10) **Patent No.:** **US D870,948 S**

(45) **Date of Patent:** **** Dec. 24, 2019**

(54) **LED LAMP**

(71) Applicant: **Shenzhen Signcomplex Science & Technology Co., Limited**, Guangdong (CN)

(72) Inventors: **Qimeng He**, Guangdong (CN);
Fuqiang Zhao, Guangdong (CN)

(73) Assignee: **Shenzhen Signcomplex Science & Technology Co., Limited**, Guangdong (CN)

(**) Term: **15 Years**

(21) Appl. No.: **29/658,012**

(22) Filed: **Jul. 26, 2018**

(30) **Foreign Application Priority Data**

Jun. 12, 2018 (CN) 2018 3 0297127

(51) **LOC (12) Cl.** **26-05**

(52) **U.S. Cl.**
USPC **D26/71**

(58) **Field of Classification Search**
USPC D26/71, 72, 76, 78, 88, 89, 118
See application file for complete search history.

(56) **References Cited**

U.S. PATENT DOCUMENTS

D695,438 S *	12/2013	Liu	D26/71
D770,660 S *	11/2016	Yang	D26/71
D782,720 S *	3/2017	Moghal	D26/67
D796,719 S *	9/2017	Zhu	D26/63
9,810,421 B2 *	11/2017	Kinnune	F21K 9/60
D822,261 S *	7/2018	Demuyneck	D26/92
D831,254 S *	10/2018	Pouladian	D26/71
D850,693 S *	6/2019	Pan	D26/71
D850,694 S *	6/2019	Pan	D26/71

(Continued)

Primary Examiner — Clare E Heflin

(74) *Attorney, Agent, or Firm* — JCIPRNET

(57) **CLAIM**

The ornamental design for the LED lamp, as shown and described.

DESCRIPTION

FIG. 1 is a top perspective view of a first embodiment of the LED lamp showing our new design;

FIG. 2 is a bottom perspective view of the LED lamp of FIG. 1;

FIG. 3 is a front view of the LED lamp of FIG. 1;

FIG. 4 is a rear view of the LED lamp of FIG. 1;

FIG. 5 is a left view of the LED lamp of FIG. 1;

FIG. 6 is a right view of the LED lamp of FIG. 1;

FIG. 7 is a top view of the LED lamp of FIG. 1;

FIG. 8 is a bottom view of the LED lamp of FIG. 1;

FIG. 9 is a top perspective view of a second embodiment of the LED lamp showing our new design;

FIG. 10 is a bottom perspective view of the LED lamp of FIG. 9;

FIG. 11 is a front view of the LED lamp of FIG. 9;

FIG. 12 is a rear view of the LED lamp of FIG. 9;

FIG. 13 is a left view of the LED lamp of FIG. 9;

FIG. 14 is a right view of the LED lamp of FIG. 9;

FIG. 15 is a top view of the LED lamp of FIG. 9;

FIG. 16 is a bottom view of the LED lamp of FIG. 9;

FIG. 17 is a perspective view of a third embodiment of the LED lamp showing our new design;

FIG. 18 is a bottom perspective view of the LED lamp of FIG. 17;

FIG. 19 is a front view of the LED lamp of FIG. 17;

FIG. 20 is a rear view of the LED lamp of FIG. 17;

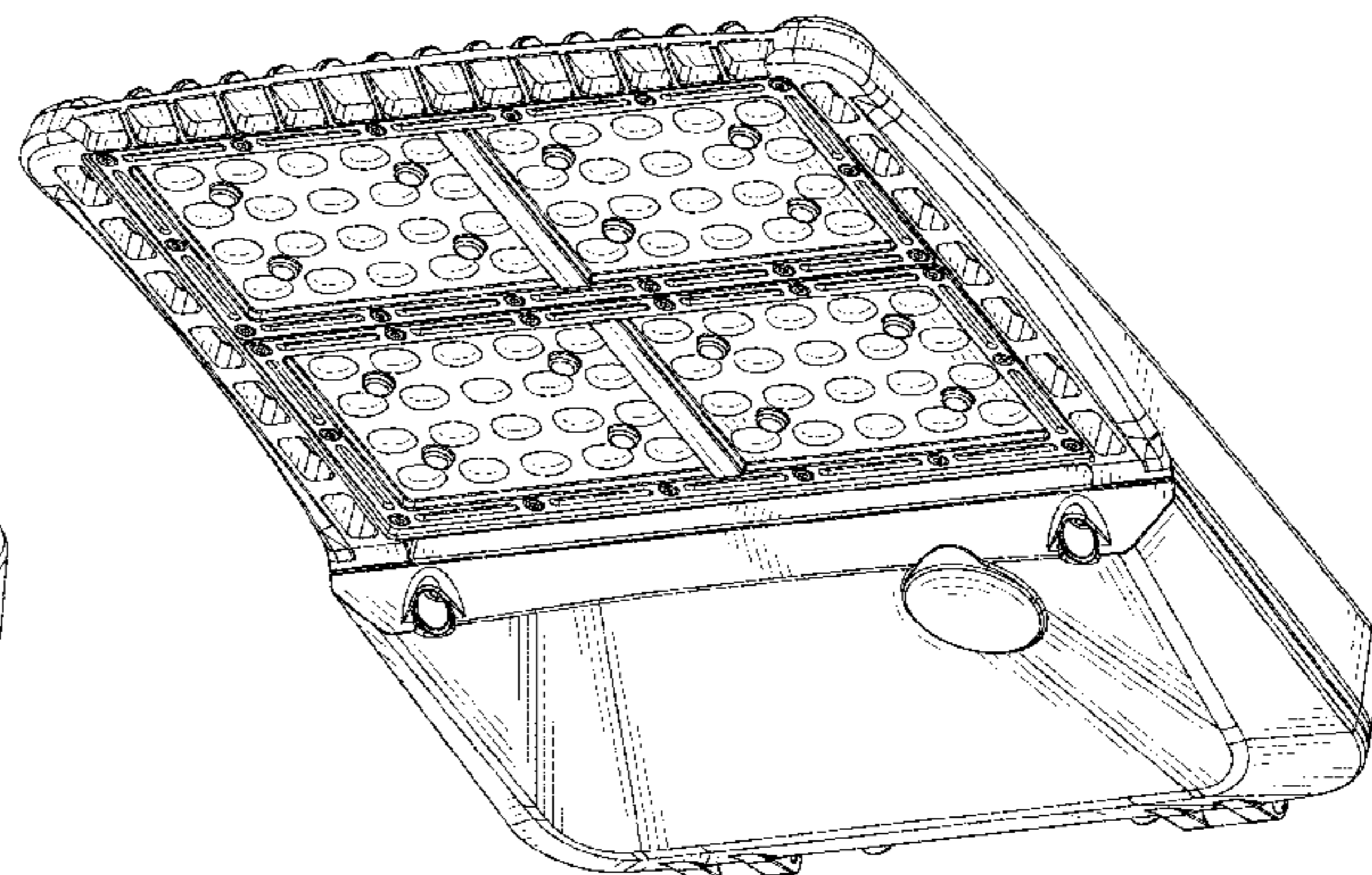
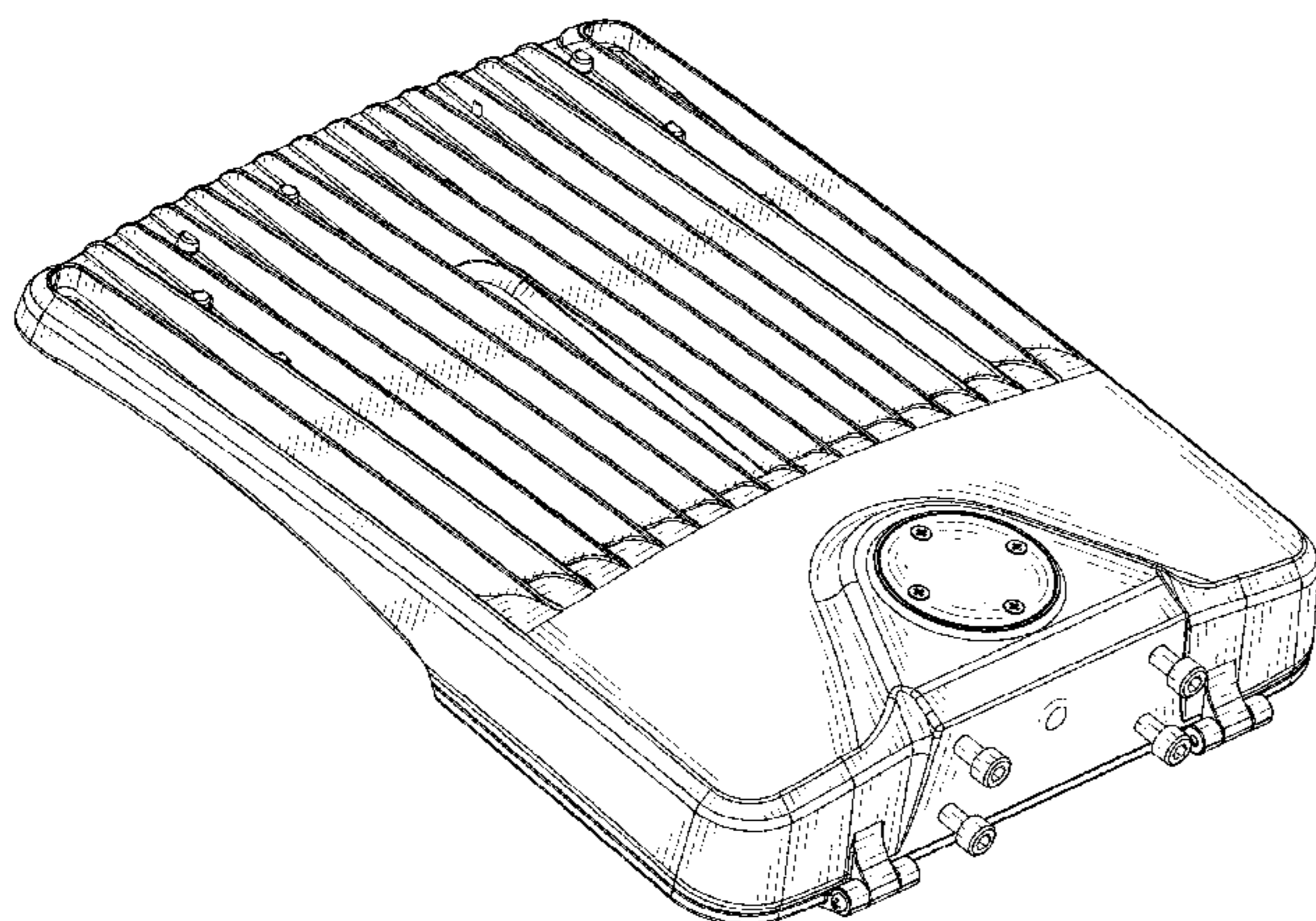
FIG. 21 is a left view of the LED lamp of FIG. 17;

FIG. 22 is a right view of the LED lamp of FIG. 17;

FIG. 23 is a top view of the LED lamp of FIG. 17; and,

FIG. 24 is a bottom view of the LED lamp of FIG. 17.

1 Claim, 17 Drawing Sheets



(56)

References Cited

U.S. PATENT DOCUMENTS

D854,721 S * 7/2019 Sohn D26/71
D856,566 S * 8/2019 Deng D26/71
2016/0320046 A1* 11/2016 Duckworth F21V 21/108
2017/0307197 A1* 10/2017 Clark F21S 8/086

* cited by examiner

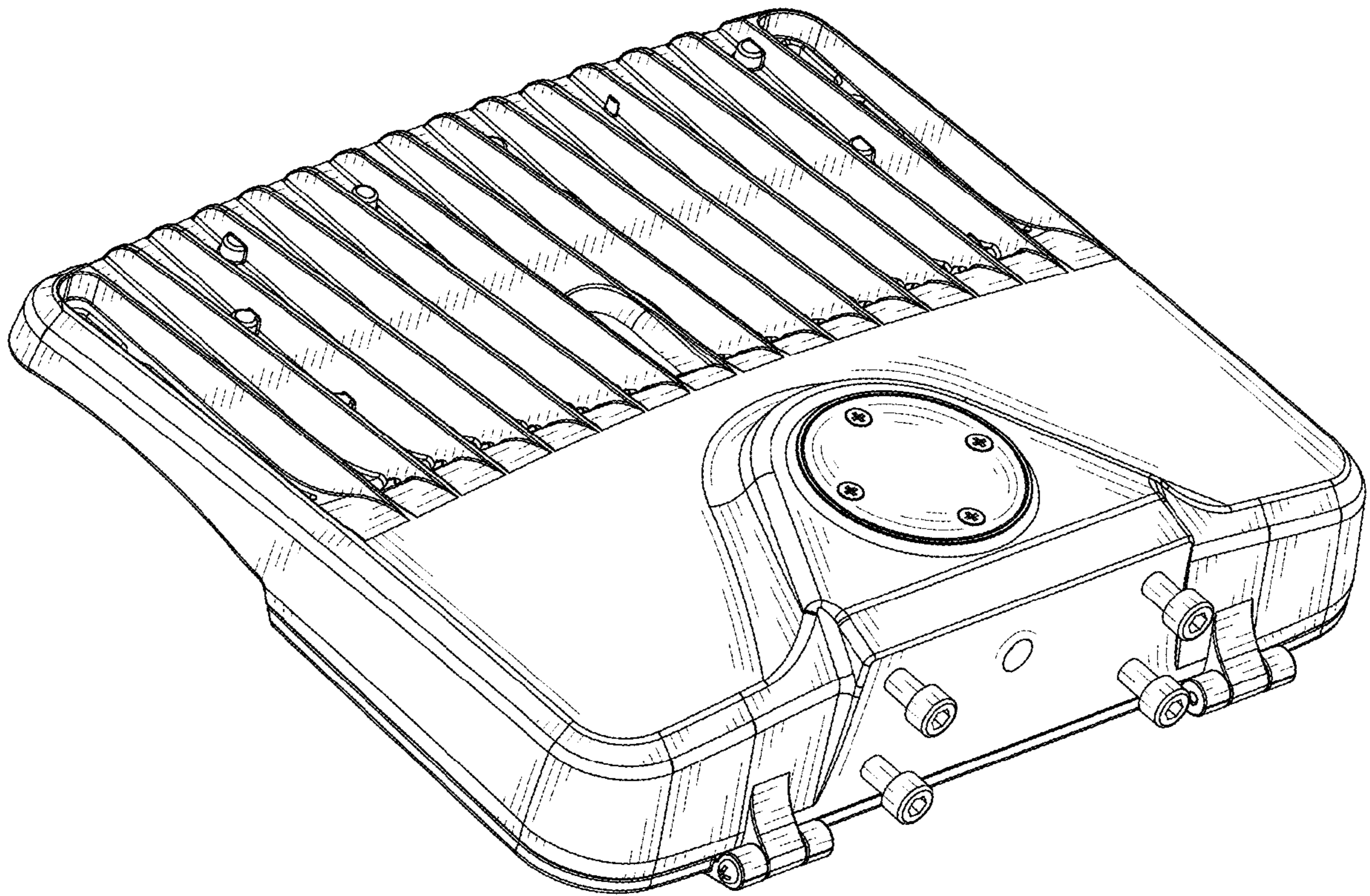


FIG. 1

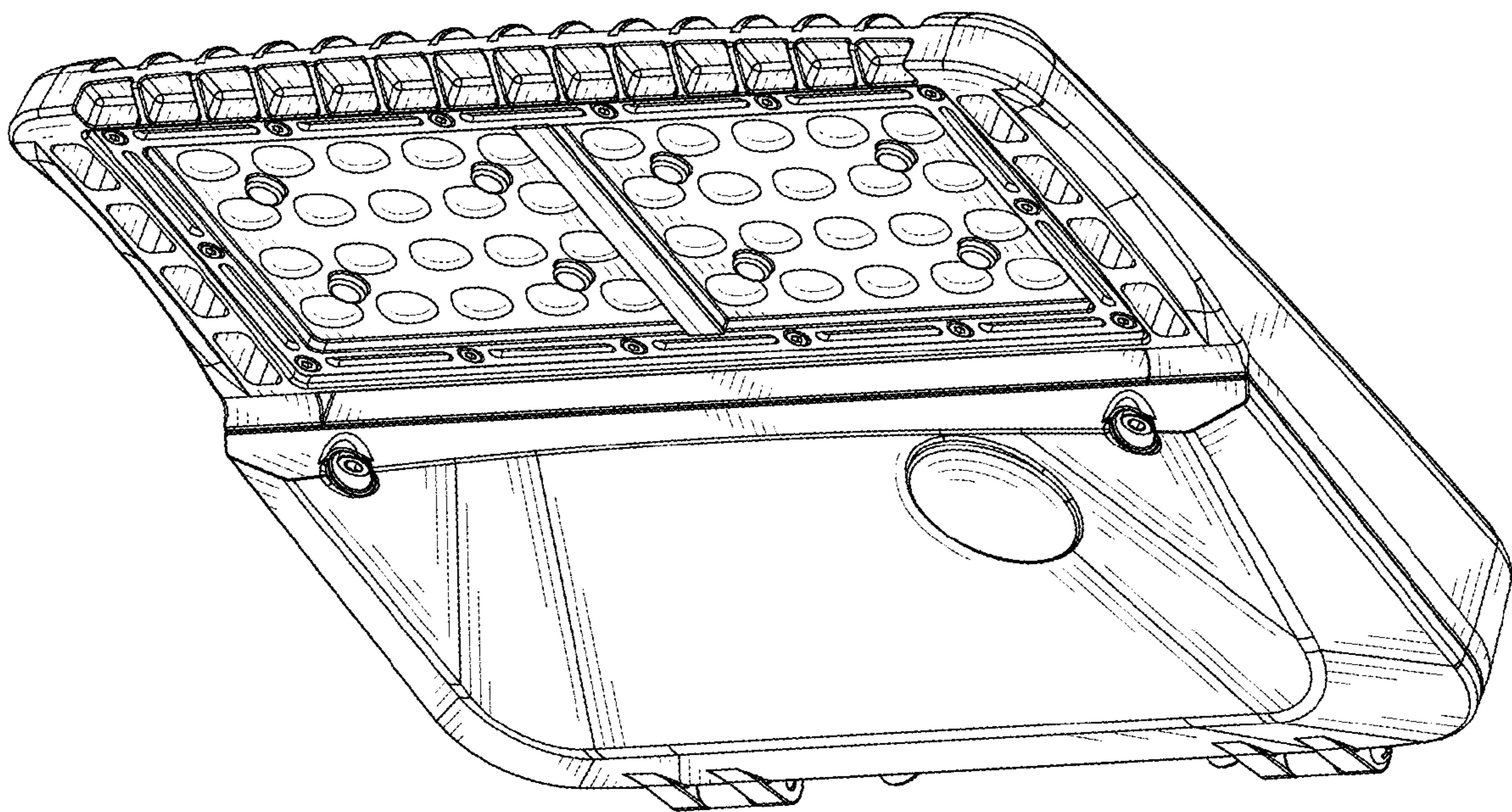


FIG. 2

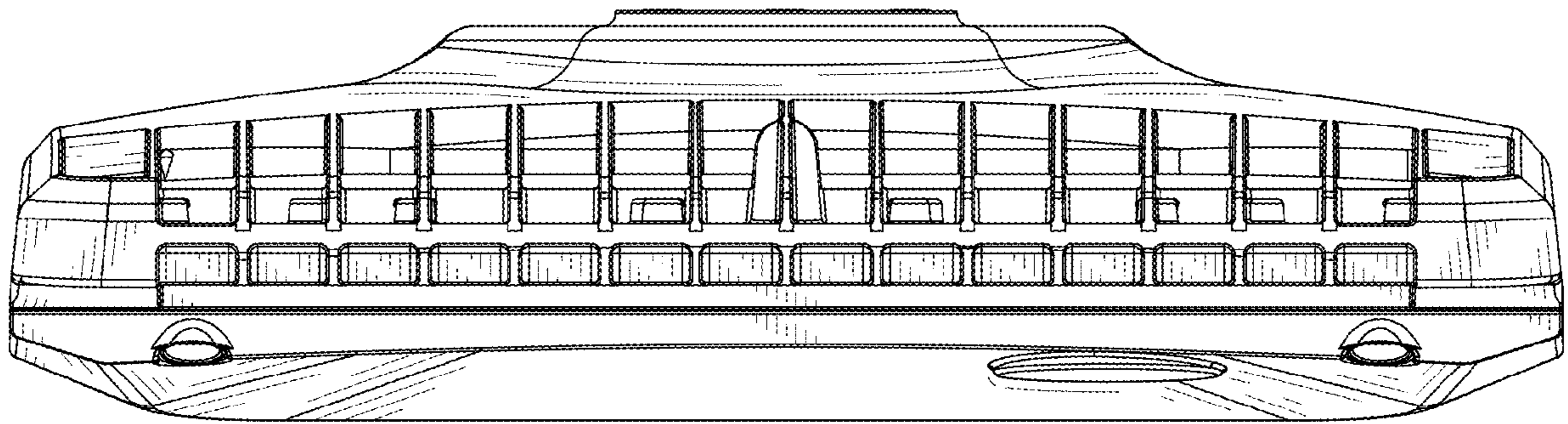


FIG. 3

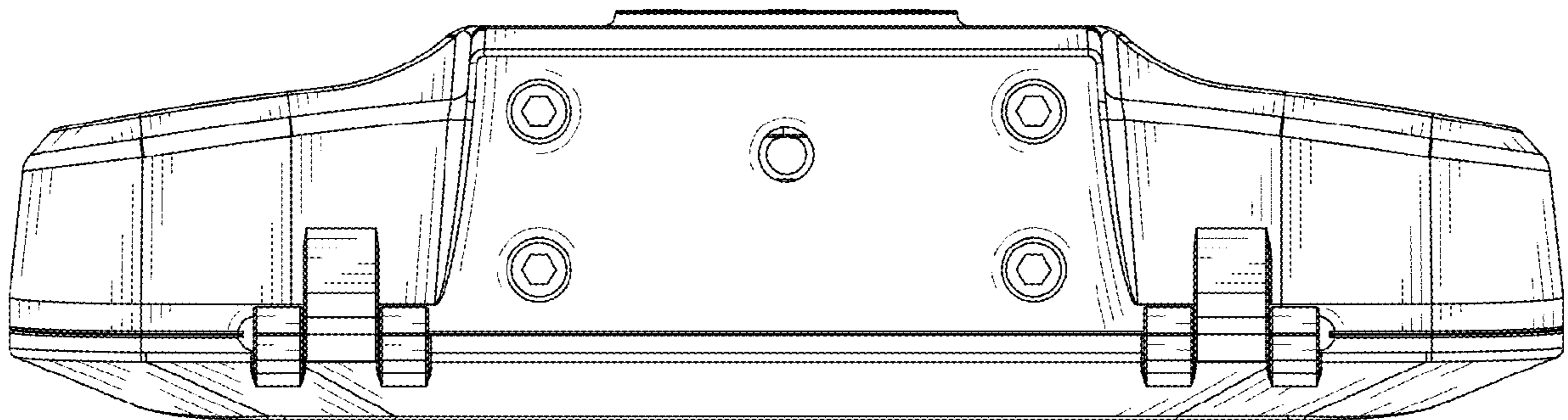


FIG. 4

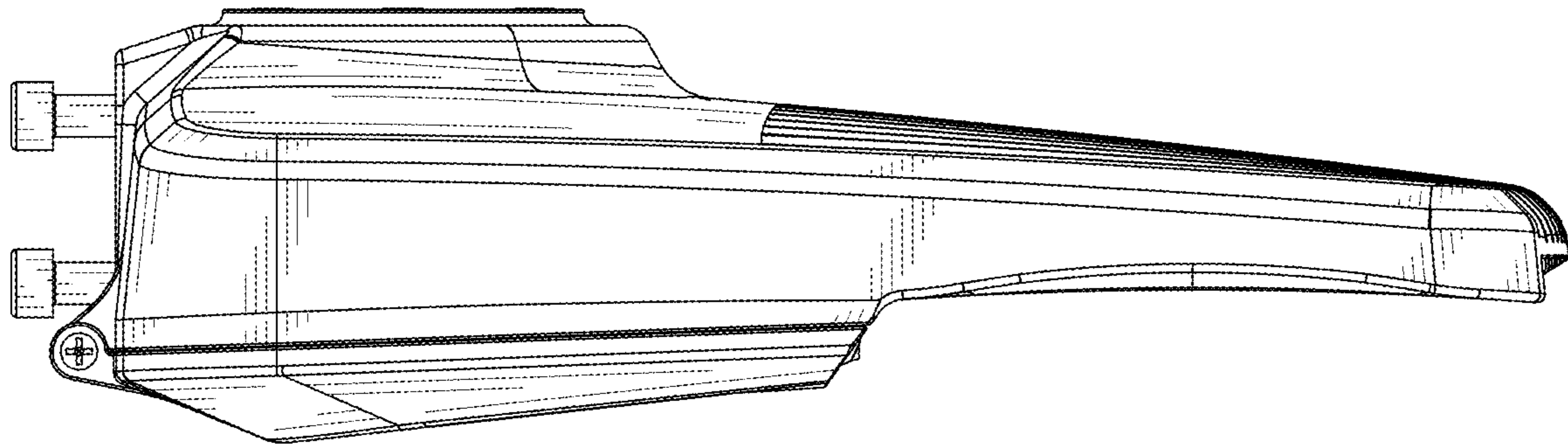


FIG. 5

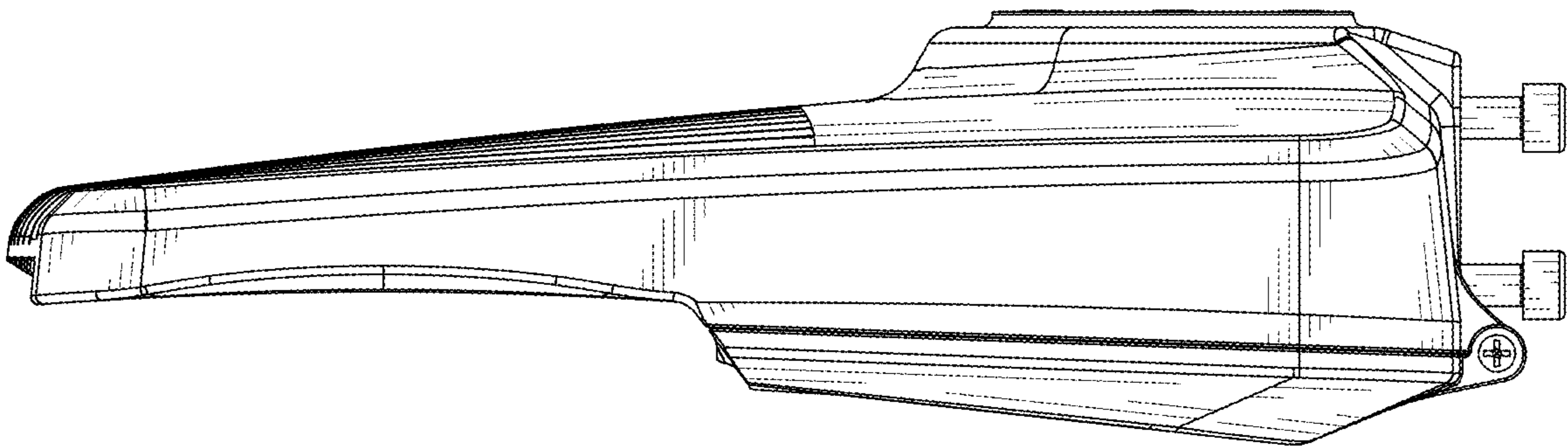


FIG. 6

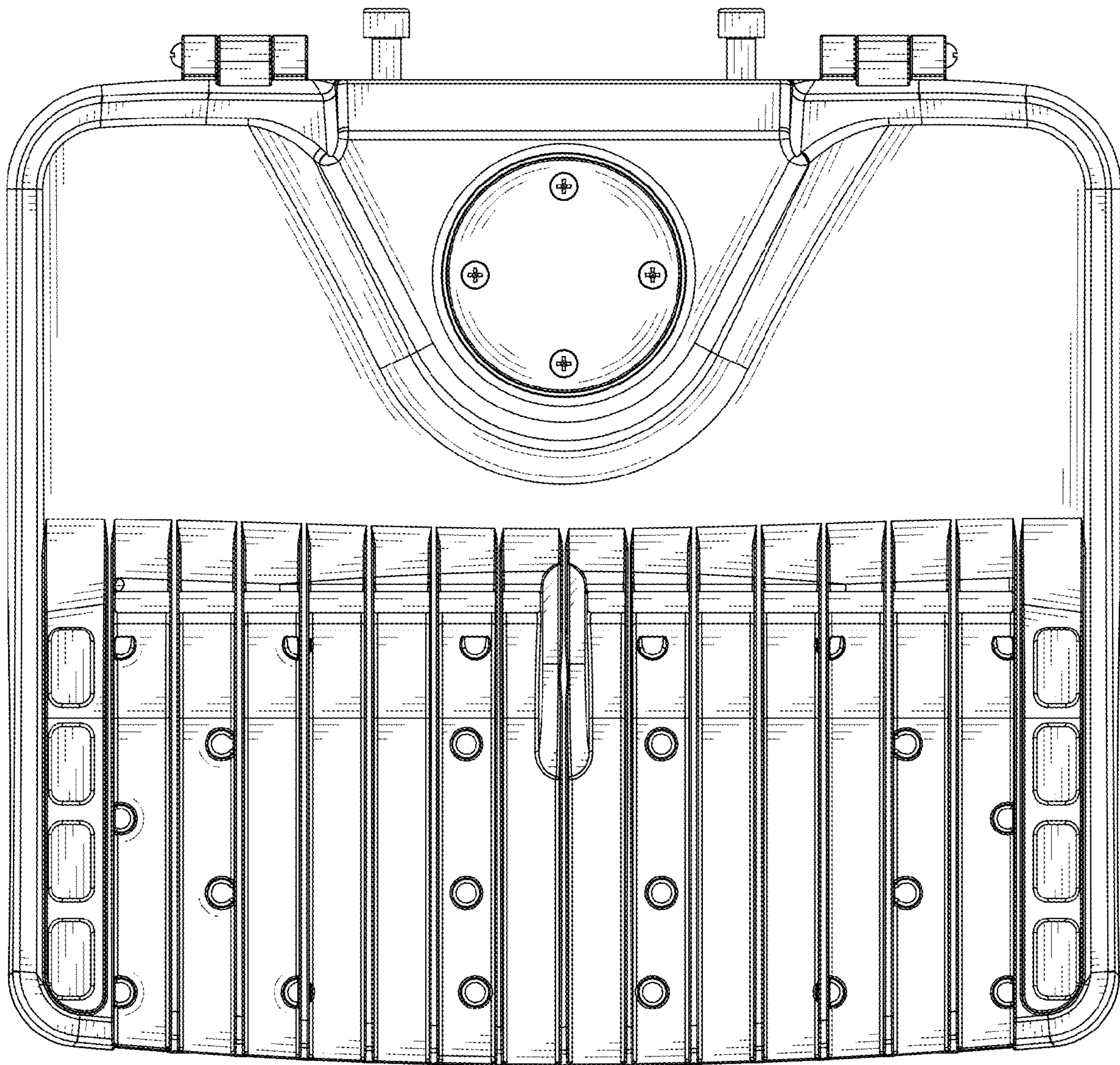


FIG. 7

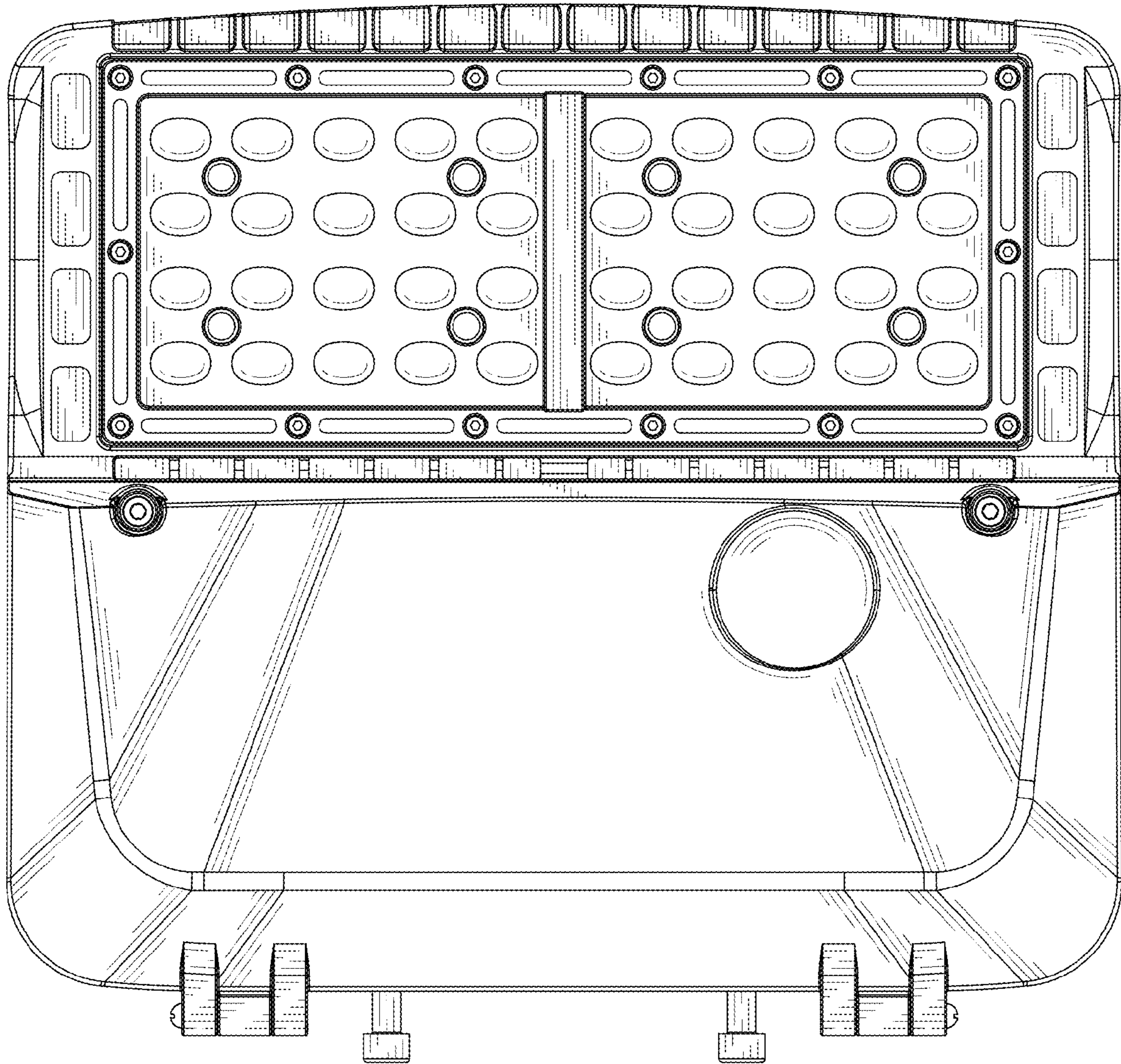


FIG. 8

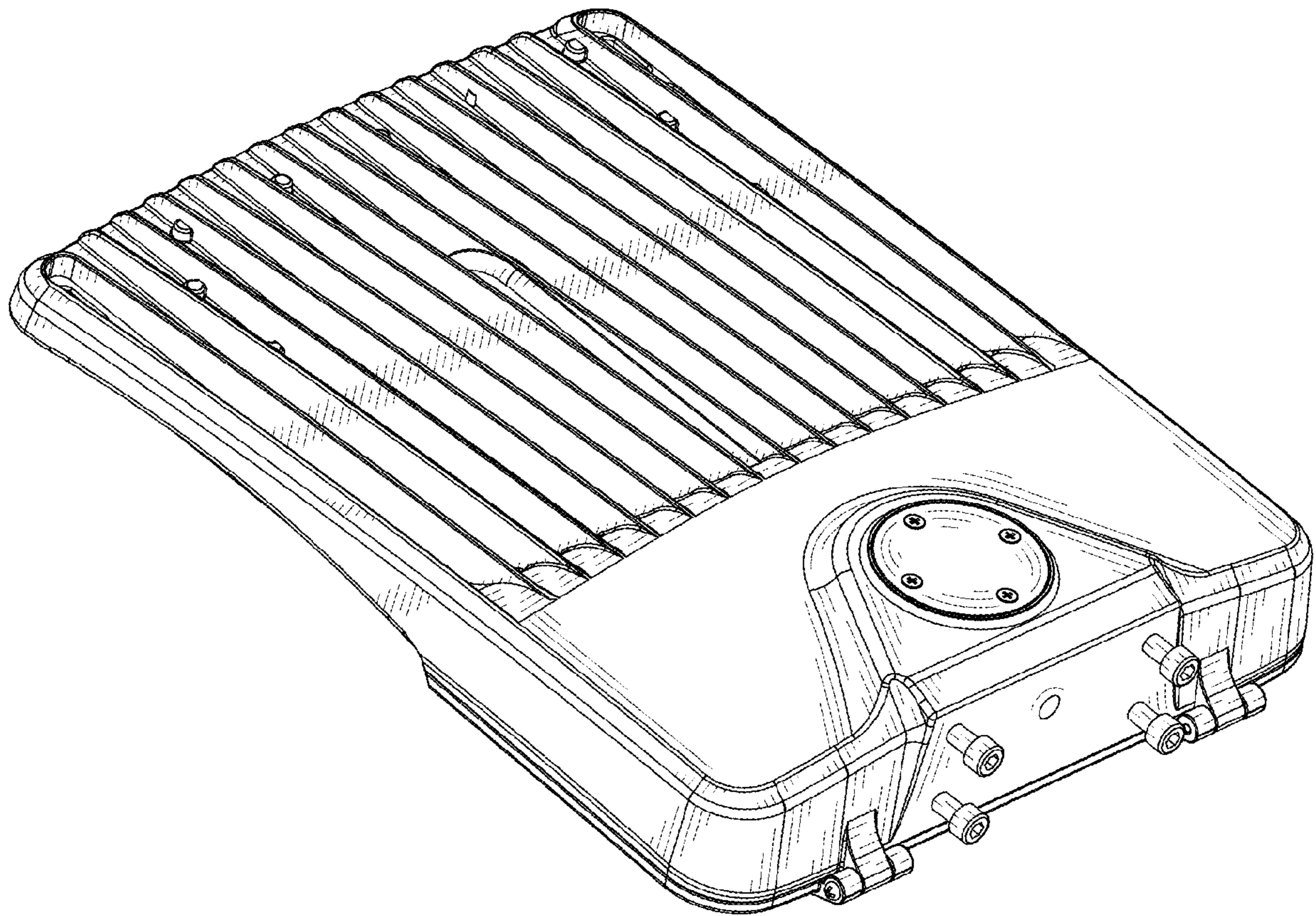


FIG. 9

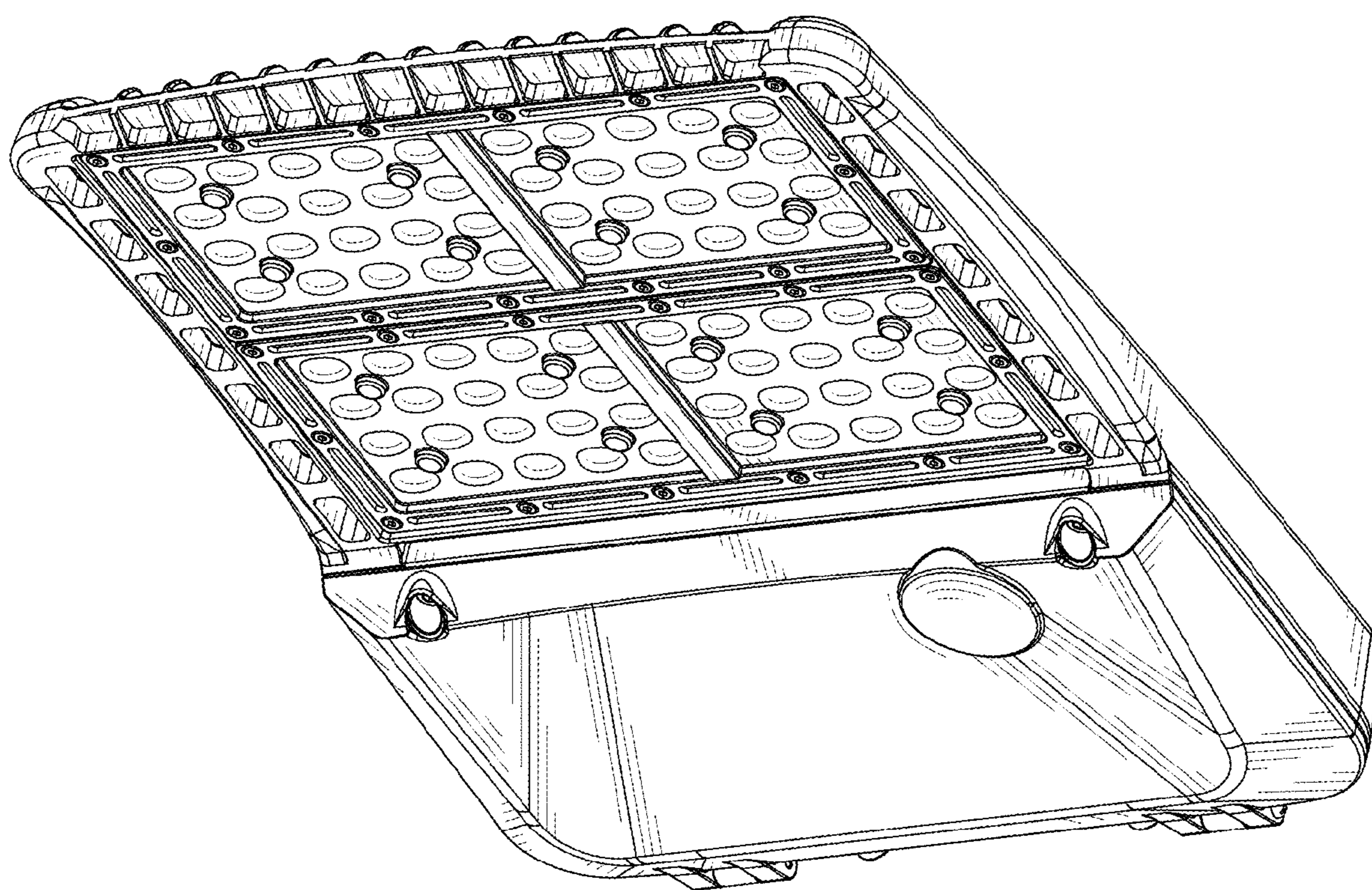


FIG. 10

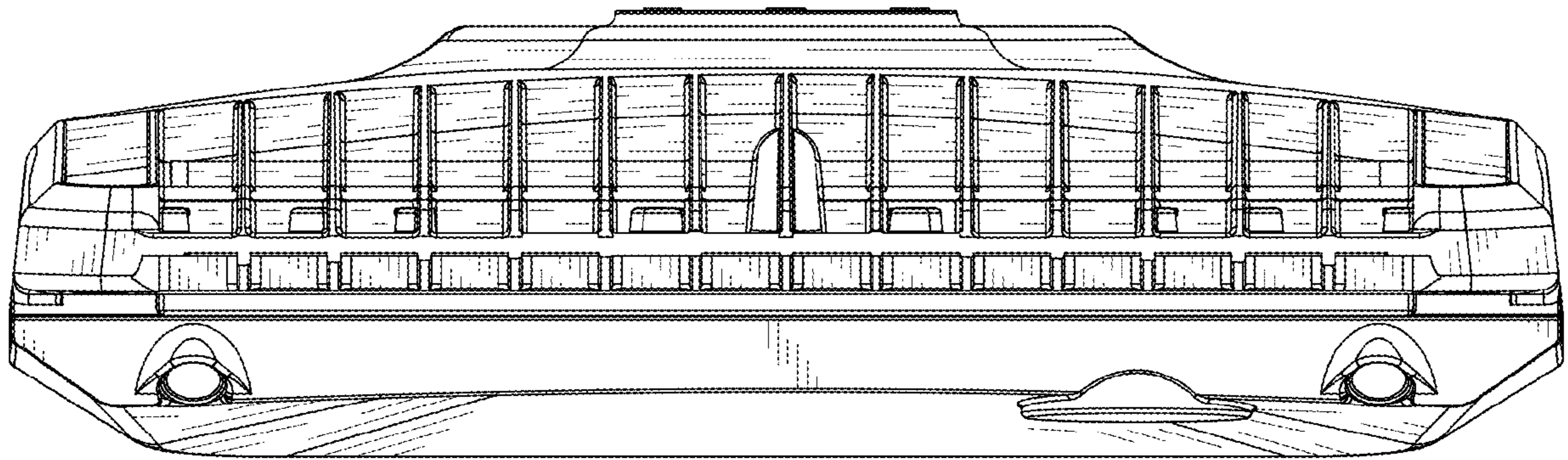


FIG. 11

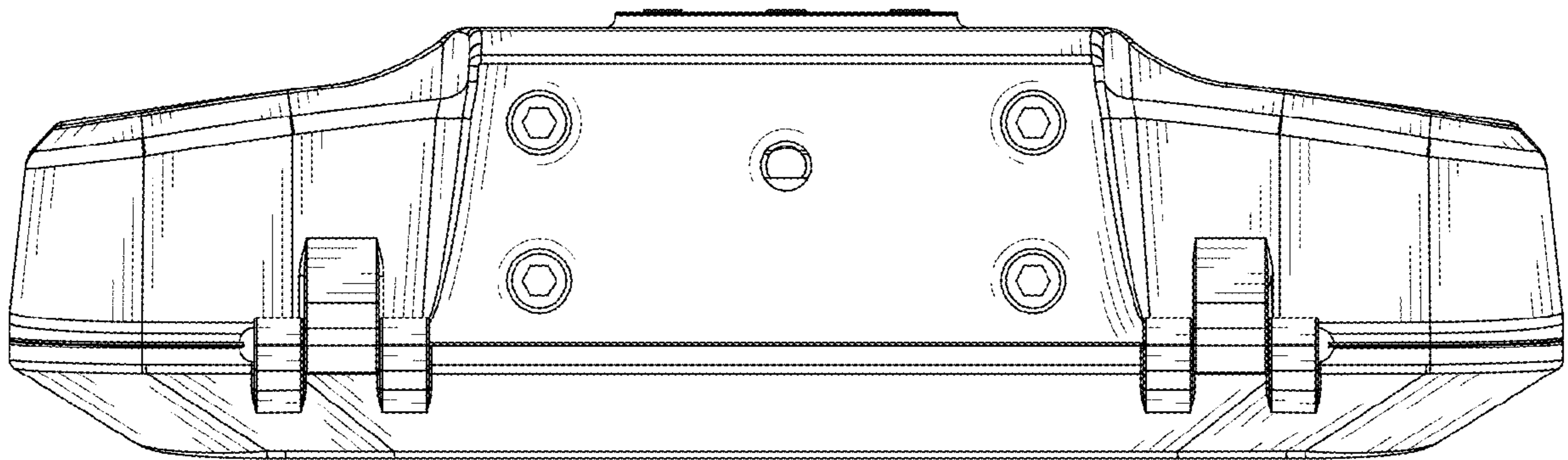


FIG. 12

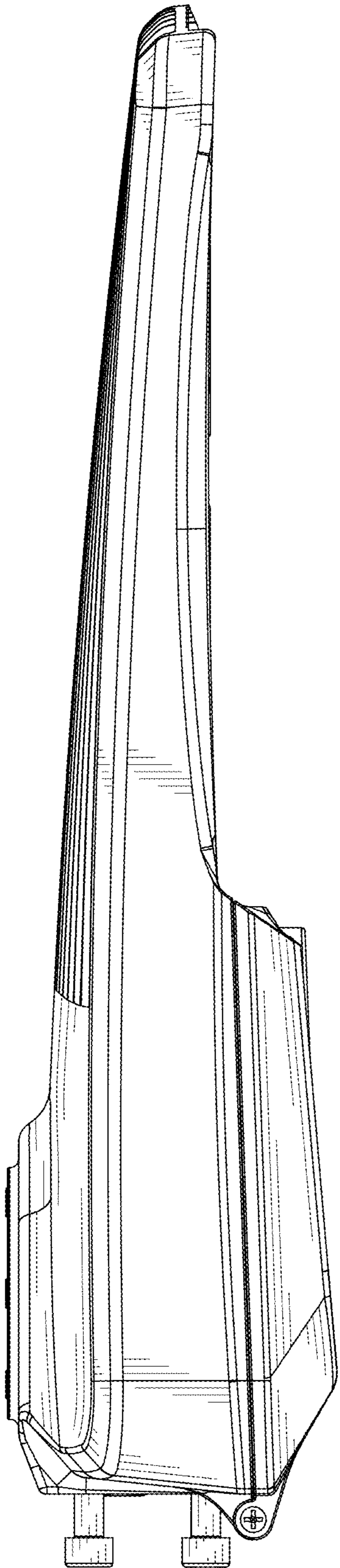


FIG. 13

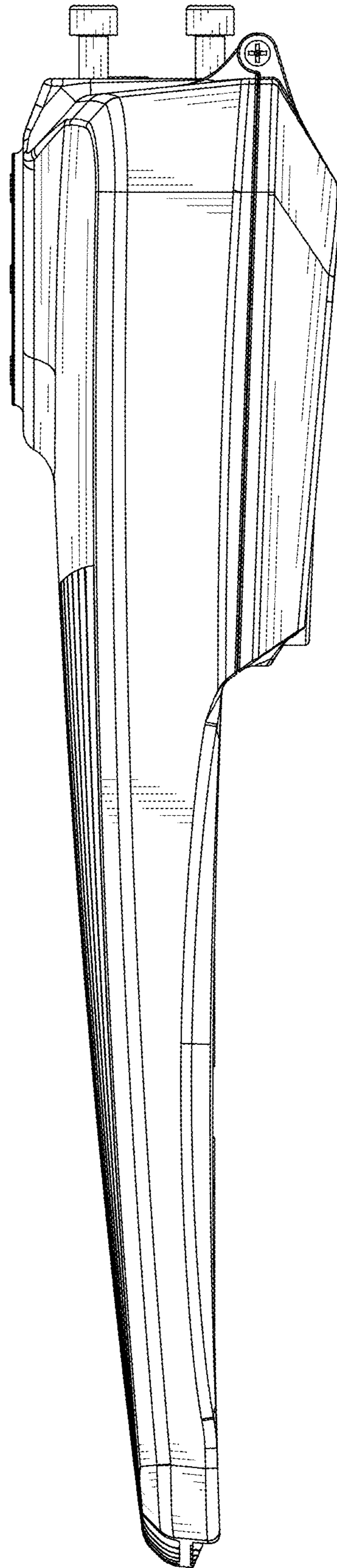


FIG. 14

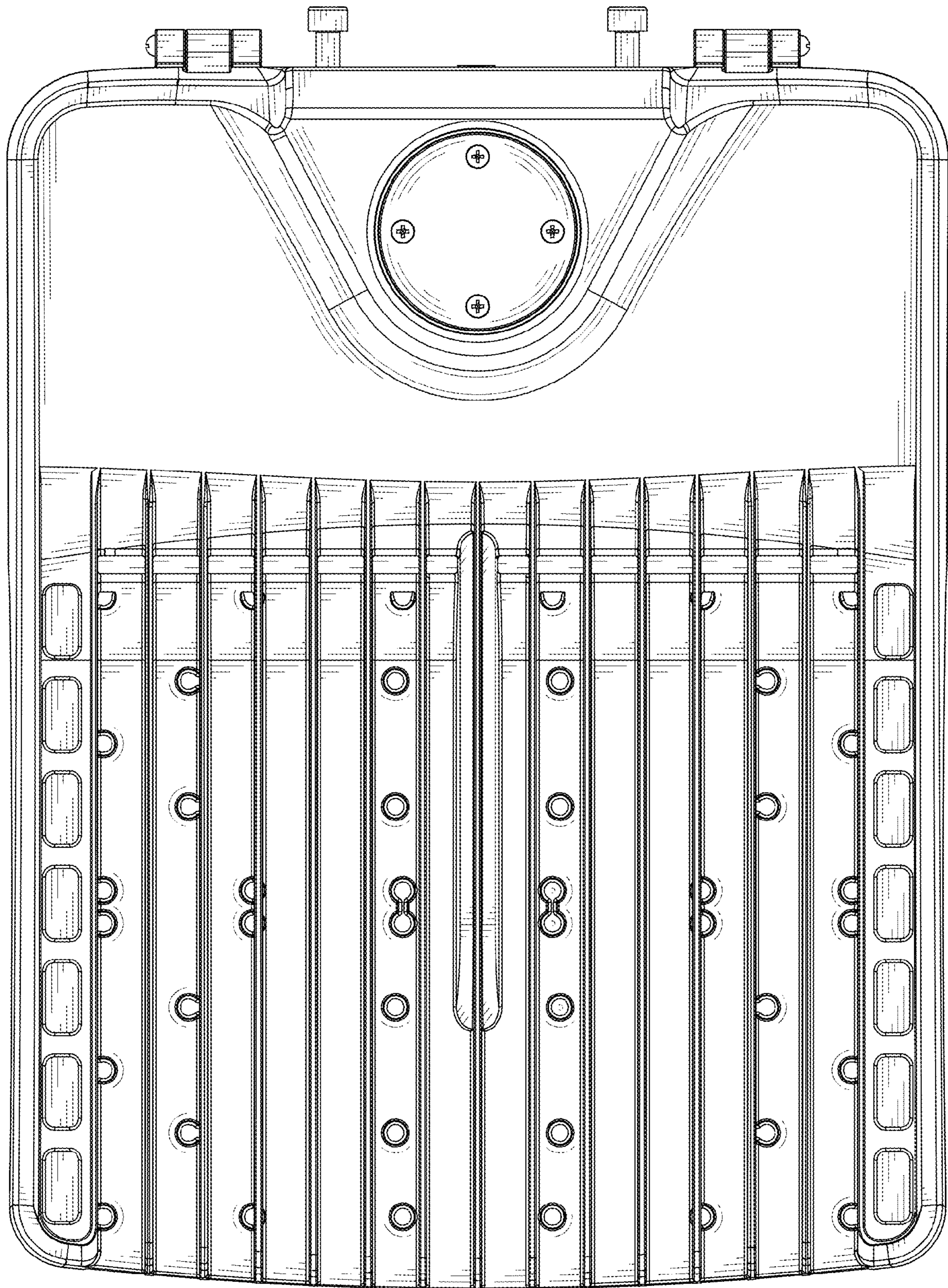


FIG. 15

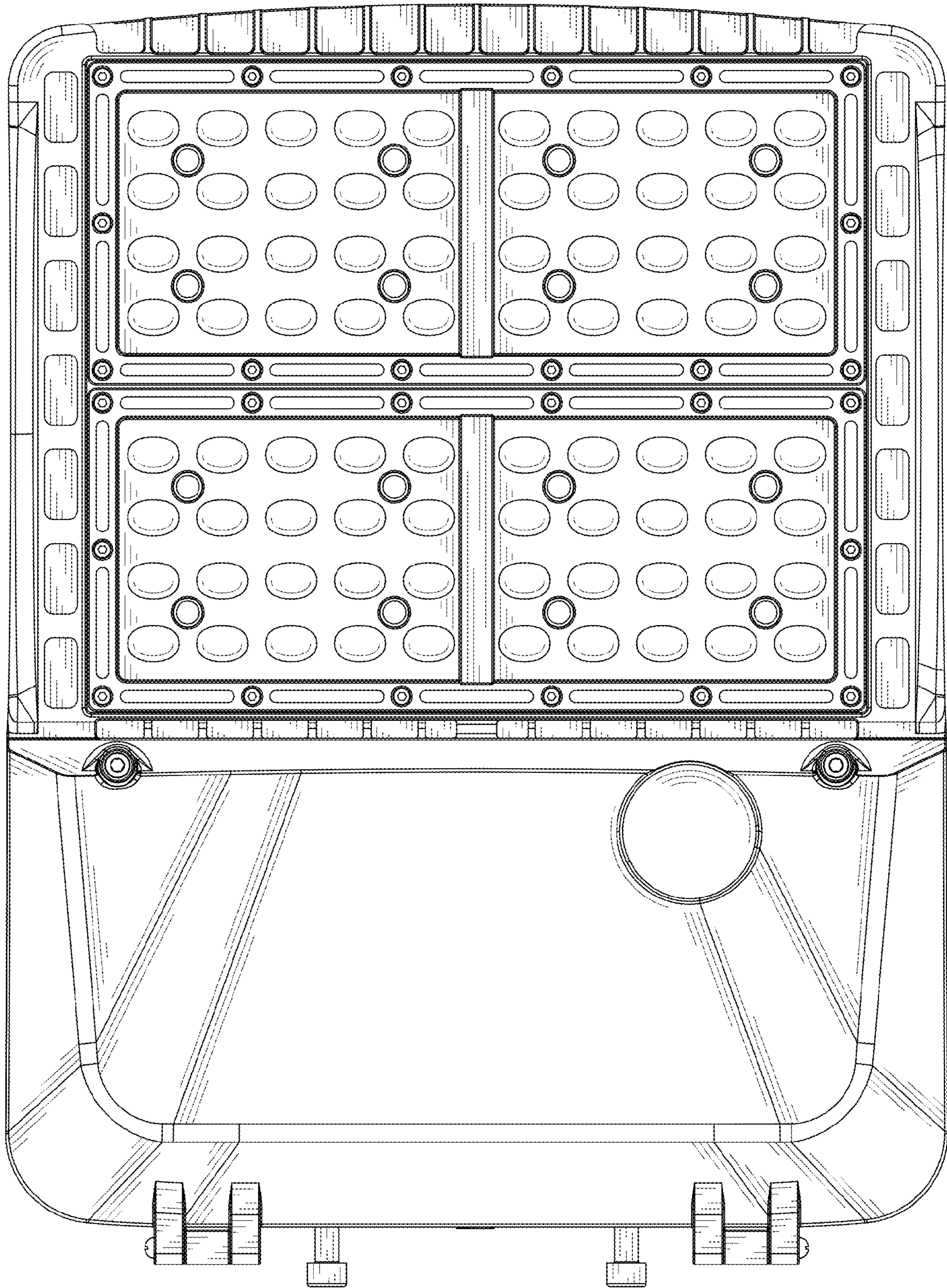


FIG. 16

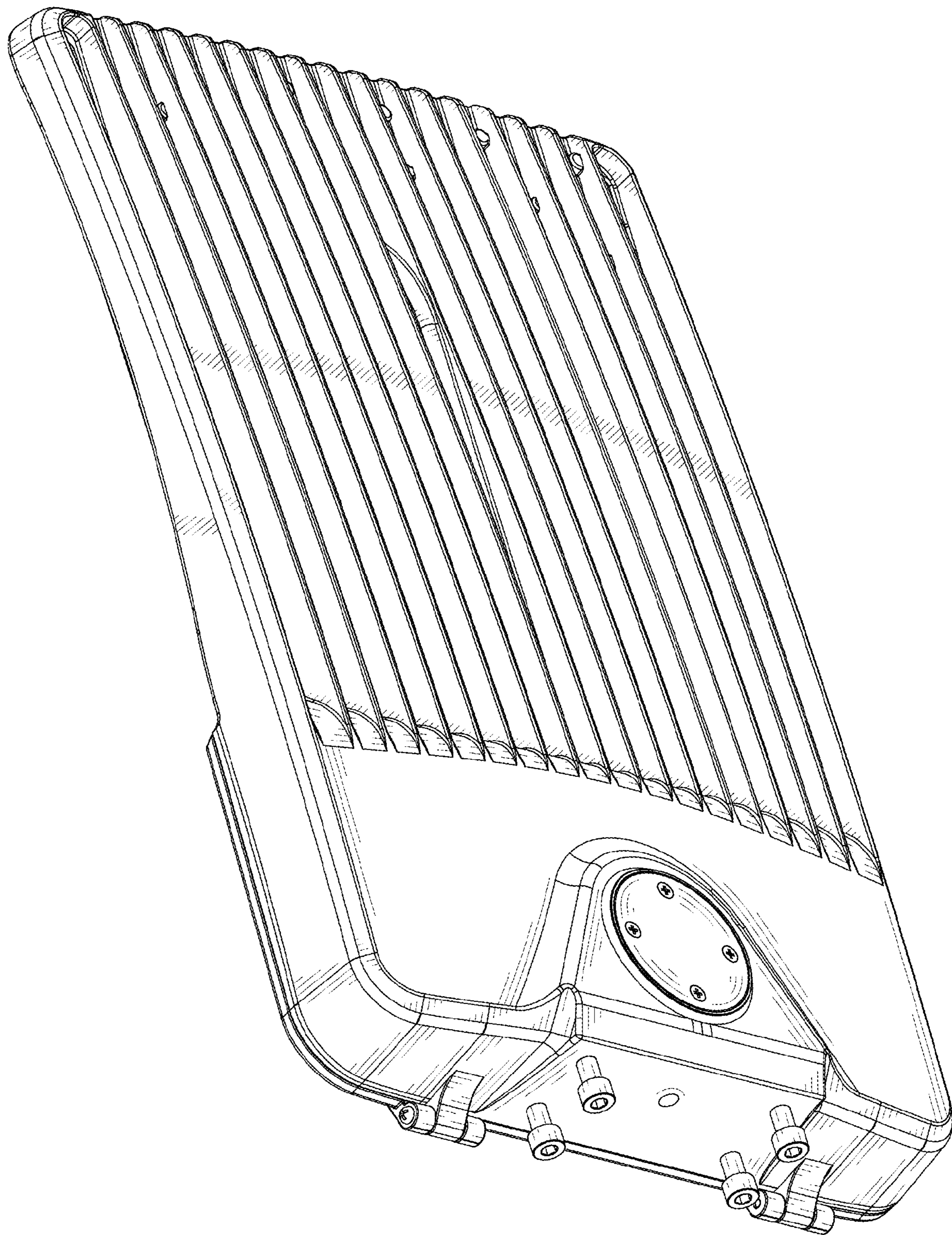


FIG. 17

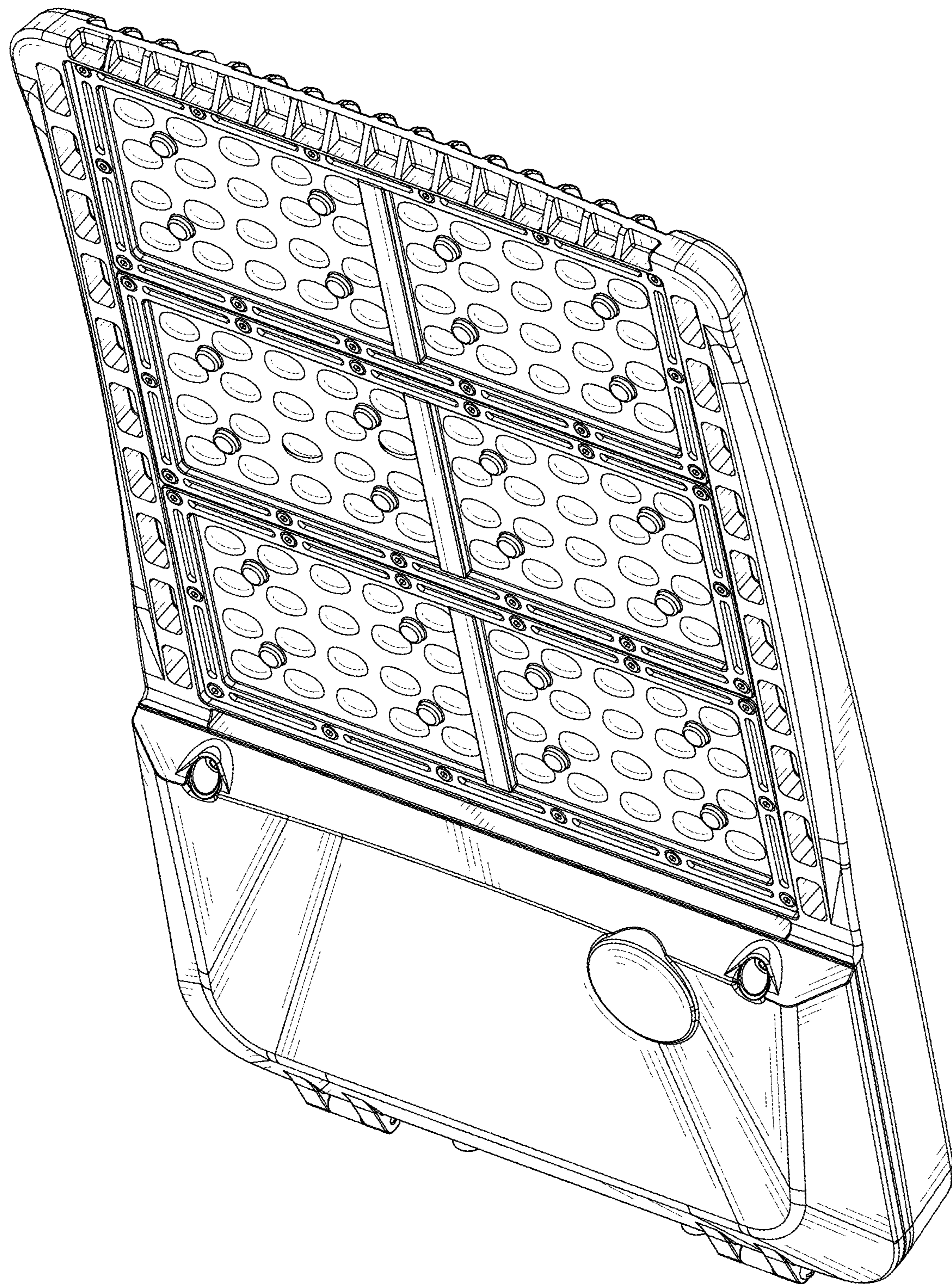


FIG. 18

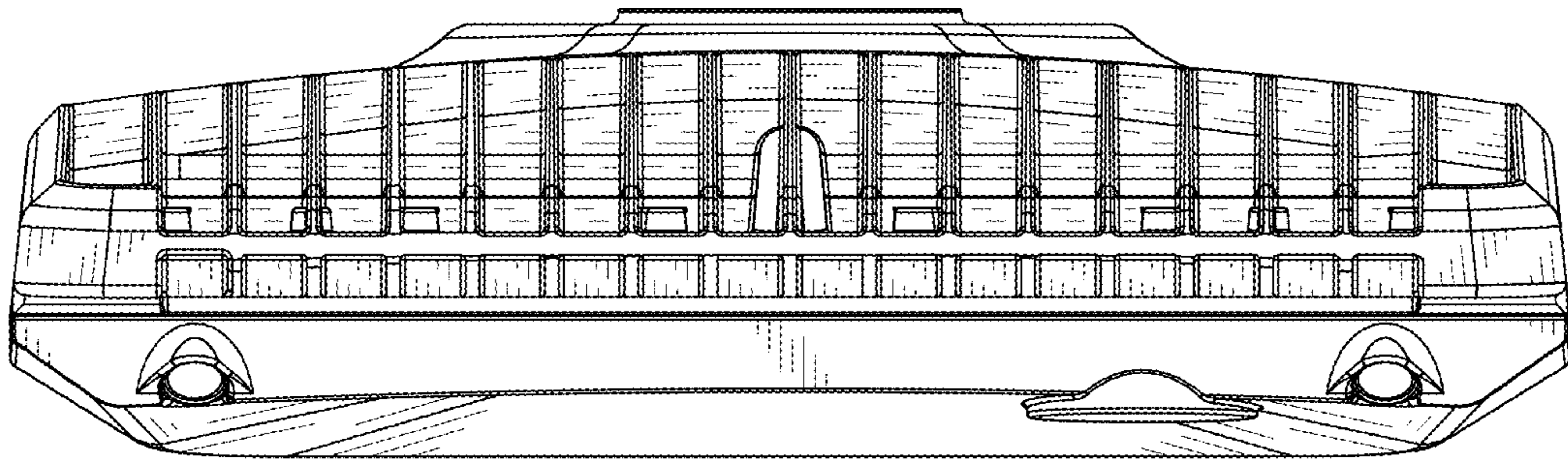


FIG. 19

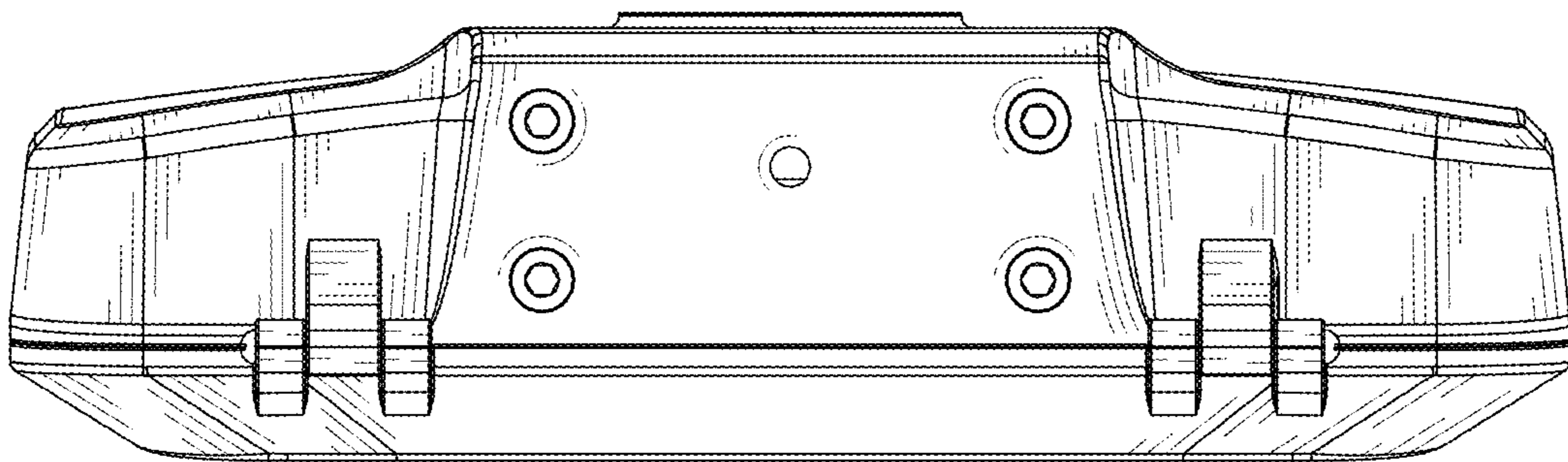


FIG. 20

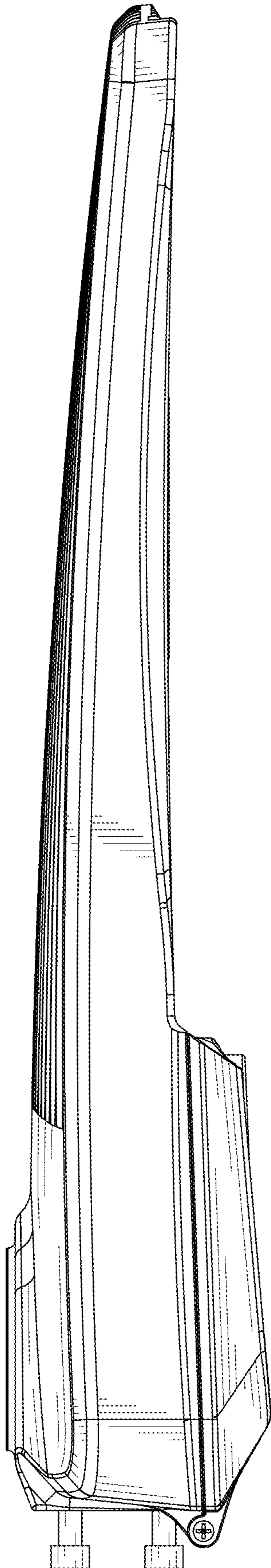


FIG. 21

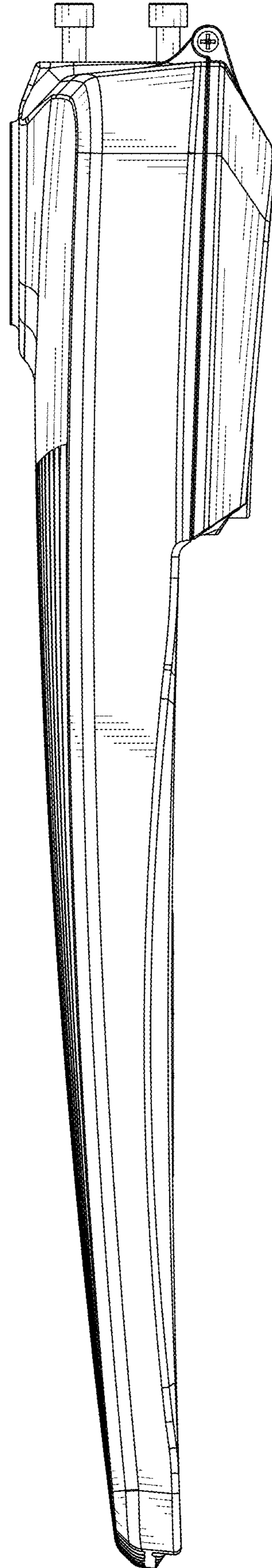


FIG. 22

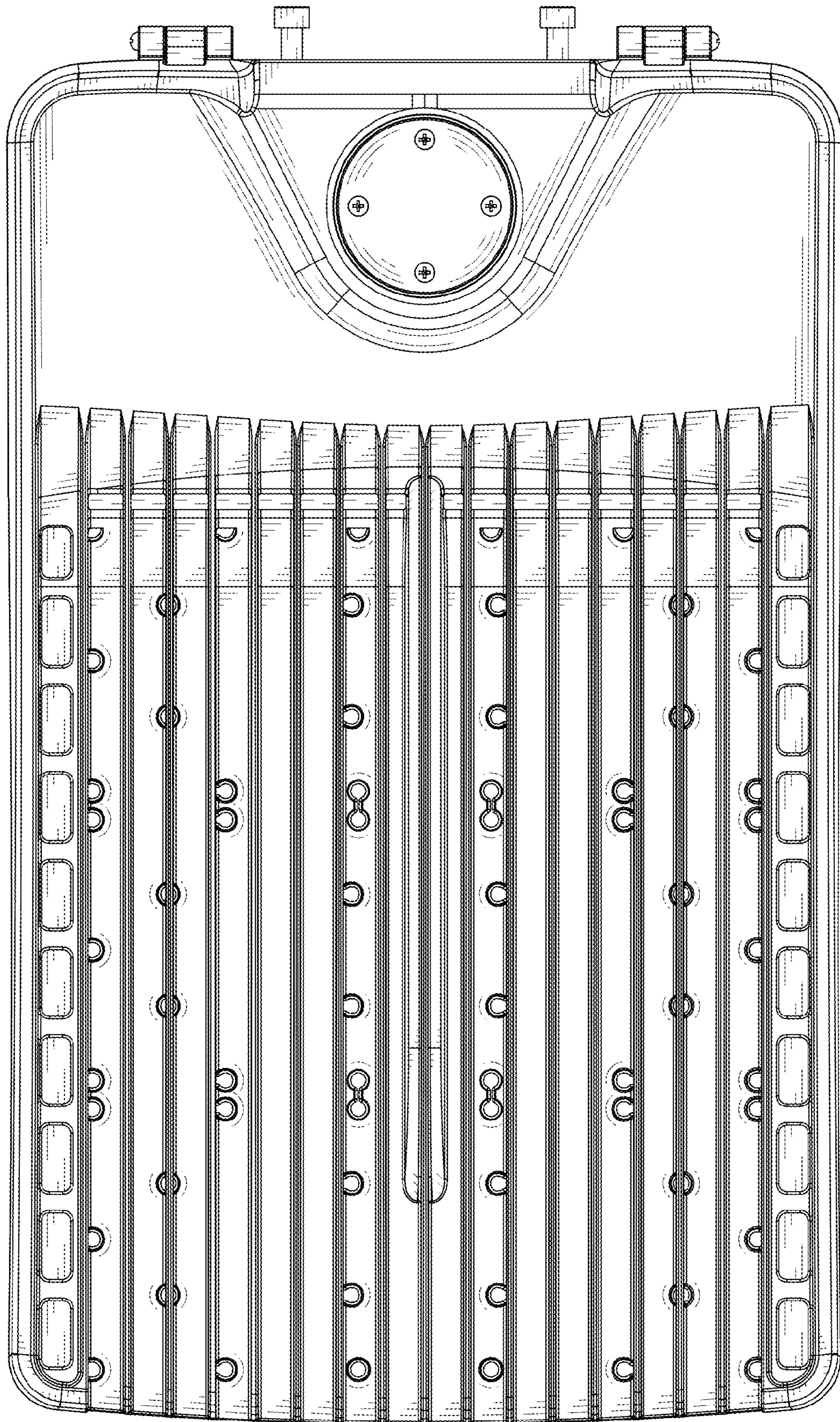


FIG. 23

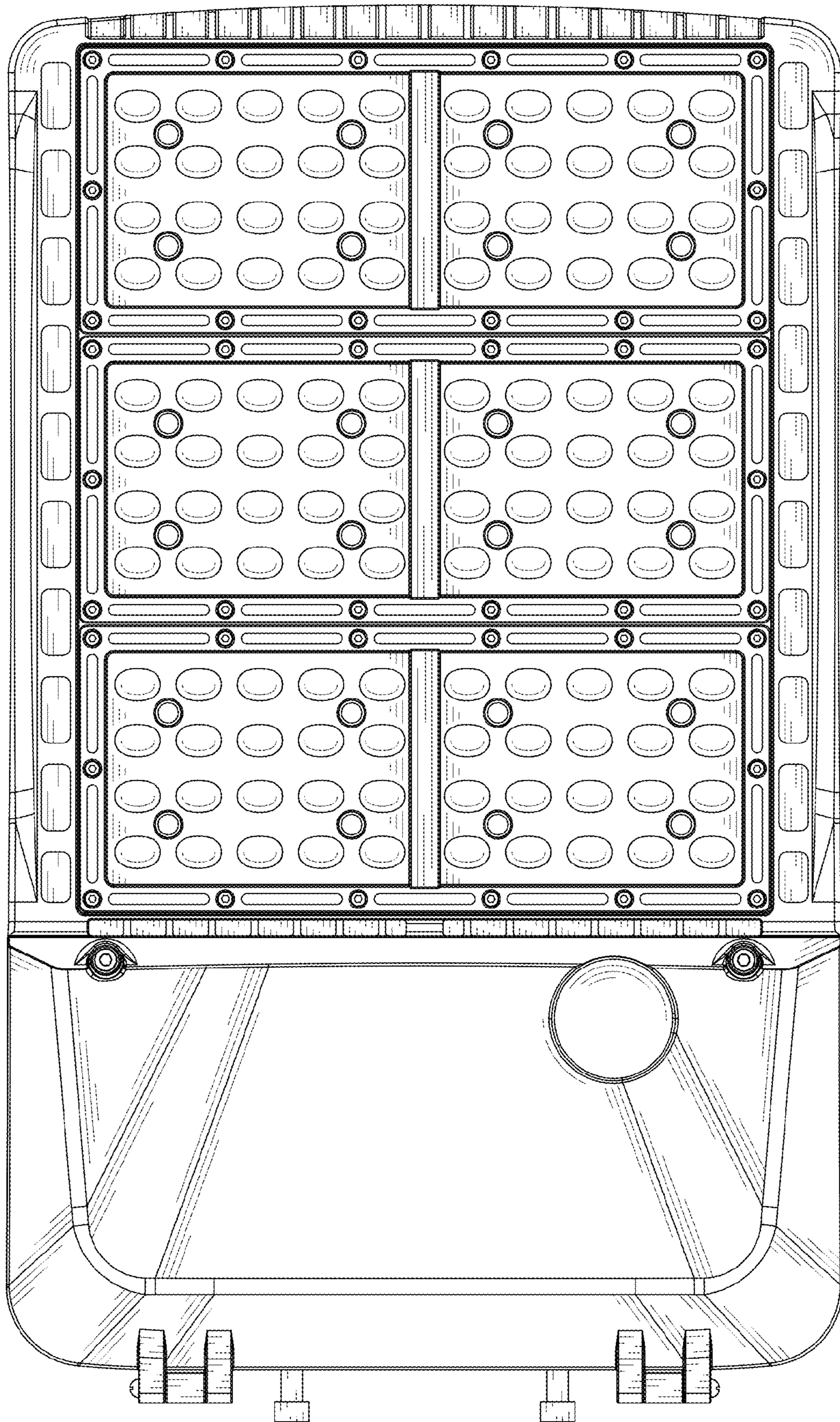


FIG. 24