



US00D870947S

(12) **United States Design Patent**
Zhang et al.

(10) **Patent No.:** **US D870,947 S**

(45) **Date of Patent:** **** Dec. 24, 2019**

(54) **SOLAR LAMP**

(71) Applicant: **Hangzhou Amplesun Solar Technology Co., Ltd.**, Hangzhou, Zhejiang (CN)

(72) Inventors: **Hongchao Zhang**, Zhejiang (CN); **Fang Hao**, Zhejiang (CN); **Hongxin Zeng**, Zhejiang (CN); **Liping Zhou**, Zhejiang (CN)

(73) Assignee: **Hangzhou Amplesun Solar Technology Co., Ltd.**, Hangzhou (CN)

(**) Term: **15 Years**

(21) Appl. No.: **29/645,777**

(22) Filed: **Apr. 30, 2018**

(30) **Foreign Application Priority Data**

Nov. 1, 2017 (CN) 2017 3 0530876

(51) **LOC (12) Cl.** **26-05**

(52) **U.S. Cl.**
USPC **D26/71**

(58) **Field of Classification Search**
USPC D26/24, 67-72, 76, 80, 81, 85-88, 92
CPC F21S 8/03; F21S 8/033; F21S 8/036; F21S 9/022; F21S 9/03; F21S 9/032; F21S 9/035; F21S 9/037; F21W 2131/10; F21W 2131/103; F21W 2131/107; F21W 2131/109
See application file for complete search history.

(56) **References Cited**

U.S. PATENT DOCUMENTS

D229,628 S * 12/1973 Wolfson D26/67
D248,184 S * 6/1978 Roberts D26/85
5,211,470 A * 5/1993 Frost F21S 8/081
362/183

D352,126 S * 11/1994 Ruud D26/24
D553,783 S * 10/2007 Loftus D26/67
D566,876 S * 4/2008 Allen D26/85
D608,040 S * 1/2010 Guercio D26/71
D653,377 S * 1/2012 Guercio D26/85
D681,864 S * 5/2013 Guercio D26/85
D757,322 S * 5/2016 Martin D26/71
D768,904 S * 10/2016 Ahrari D26/71
D822,254 S * 7/2018 Ahrari D26/71
D835,835 S * 12/2018 Radl D26/124
2001/0033487 A1 * 10/2001 Crelin F21S 8/033
362/147
2004/0037068 A1 * 2/2004 Patterson F21V 7/0016
362/147
2012/0081906 A1 * 4/2012 Verfuert F21V 23/02
362/294
2012/0147589 A1 * 6/2012 Farmer F21V 7/0083
362/84
2015/0330609 A1 * 11/2015 Ahrari F21S 2/005
362/238

* cited by examiner

Primary Examiner — Cathron C Brooks

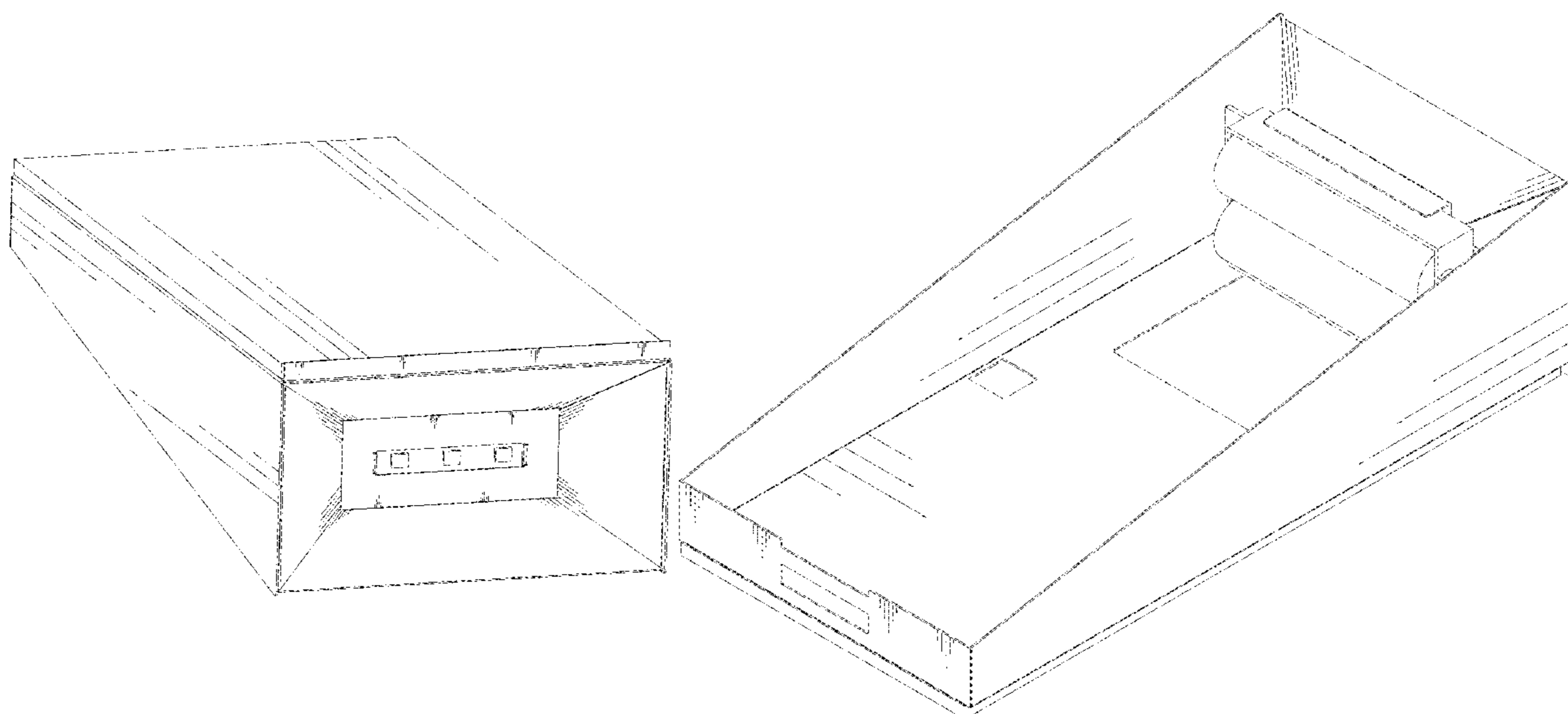
(57) **CLAIM**

The ornamental design for a solar lamp, as shown and described.

DESCRIPTION

FIG. 1 is a front elevational view of a solar lamp showing our new design;
FIG. 2 is a rear elevational view thereof;
FIG. 3 is a left side view thereof;
FIG. 4 is a right side view thereof;
FIG. 5 is a bottom plan view thereof;
FIG. 6 is a top plan view thereof;
FIG. 7 is a top perspective view thereof; and,
FIG. 8 is a bottom perspective view thereof.
The broken lines in the drawings illustrate portions of the solar lamp which form no part of the claimed design.

1 Claim, 8 Drawing Sheets



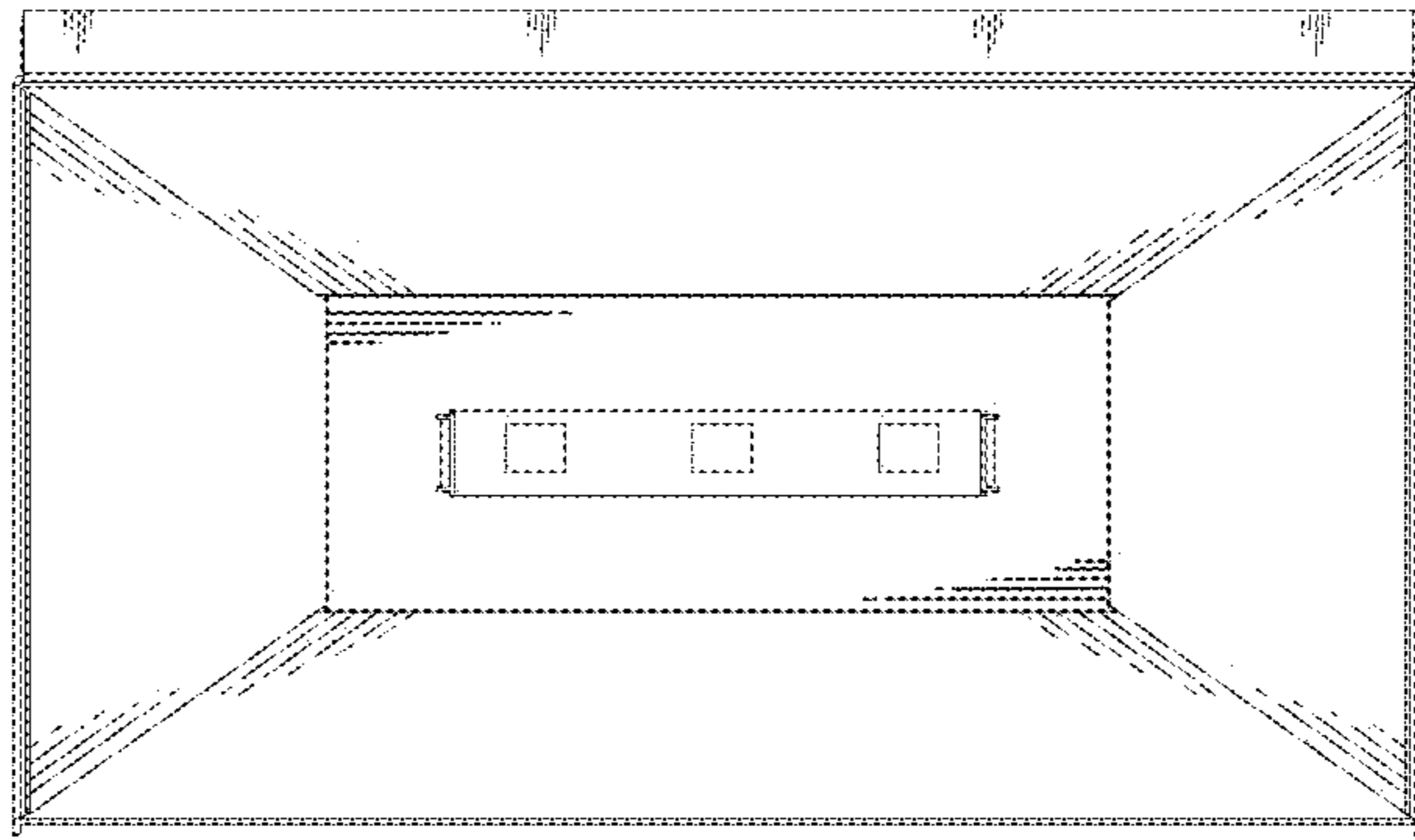


Fig. 1

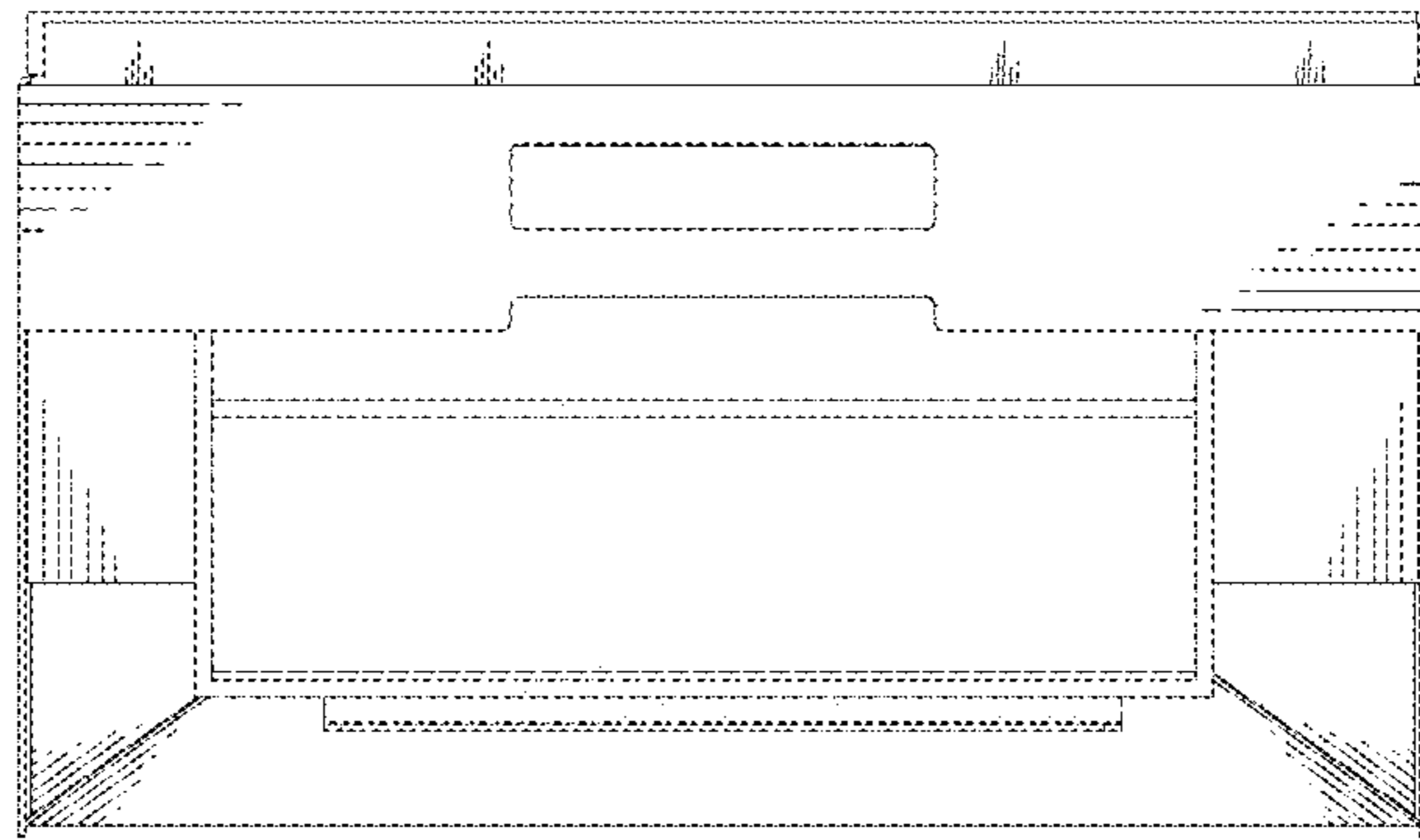


Fig. 2

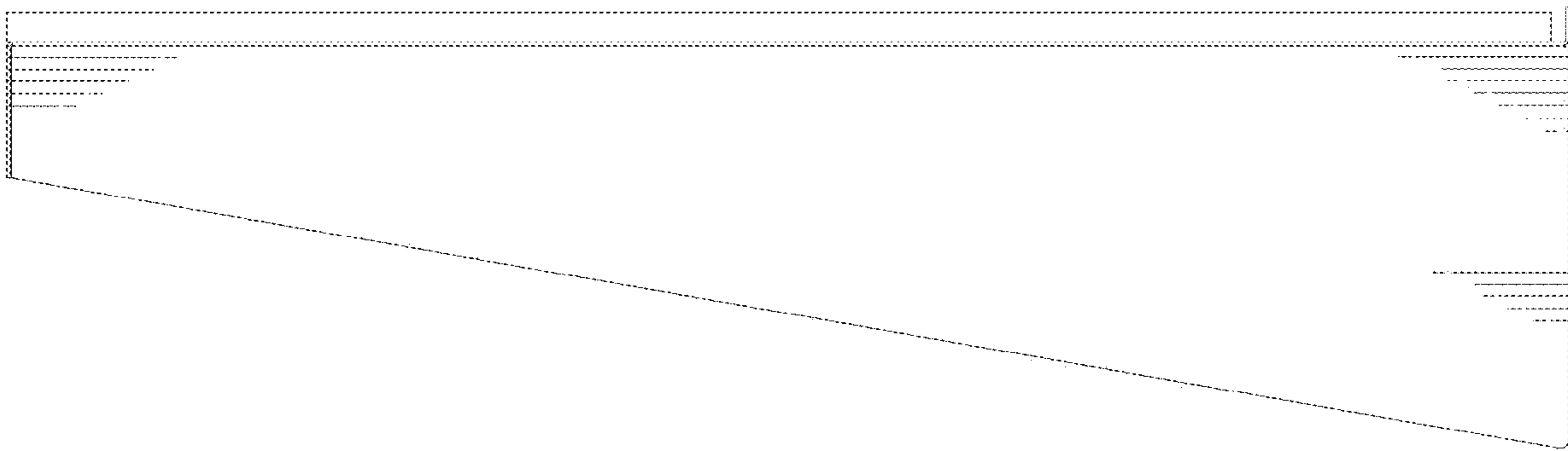


Fig. 3

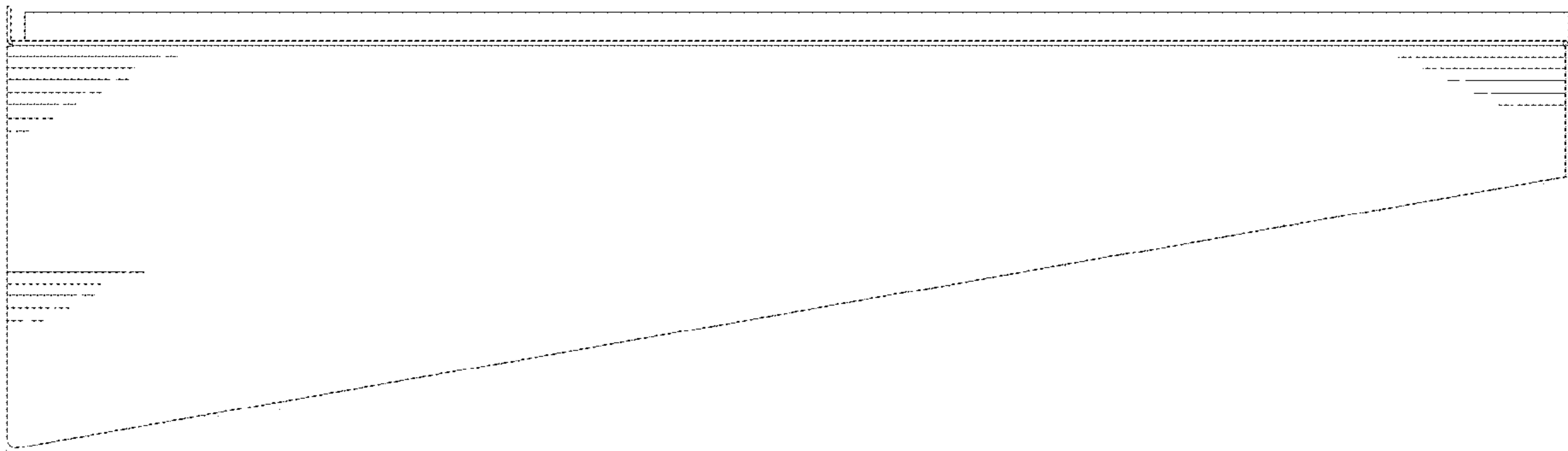


Fig. 4

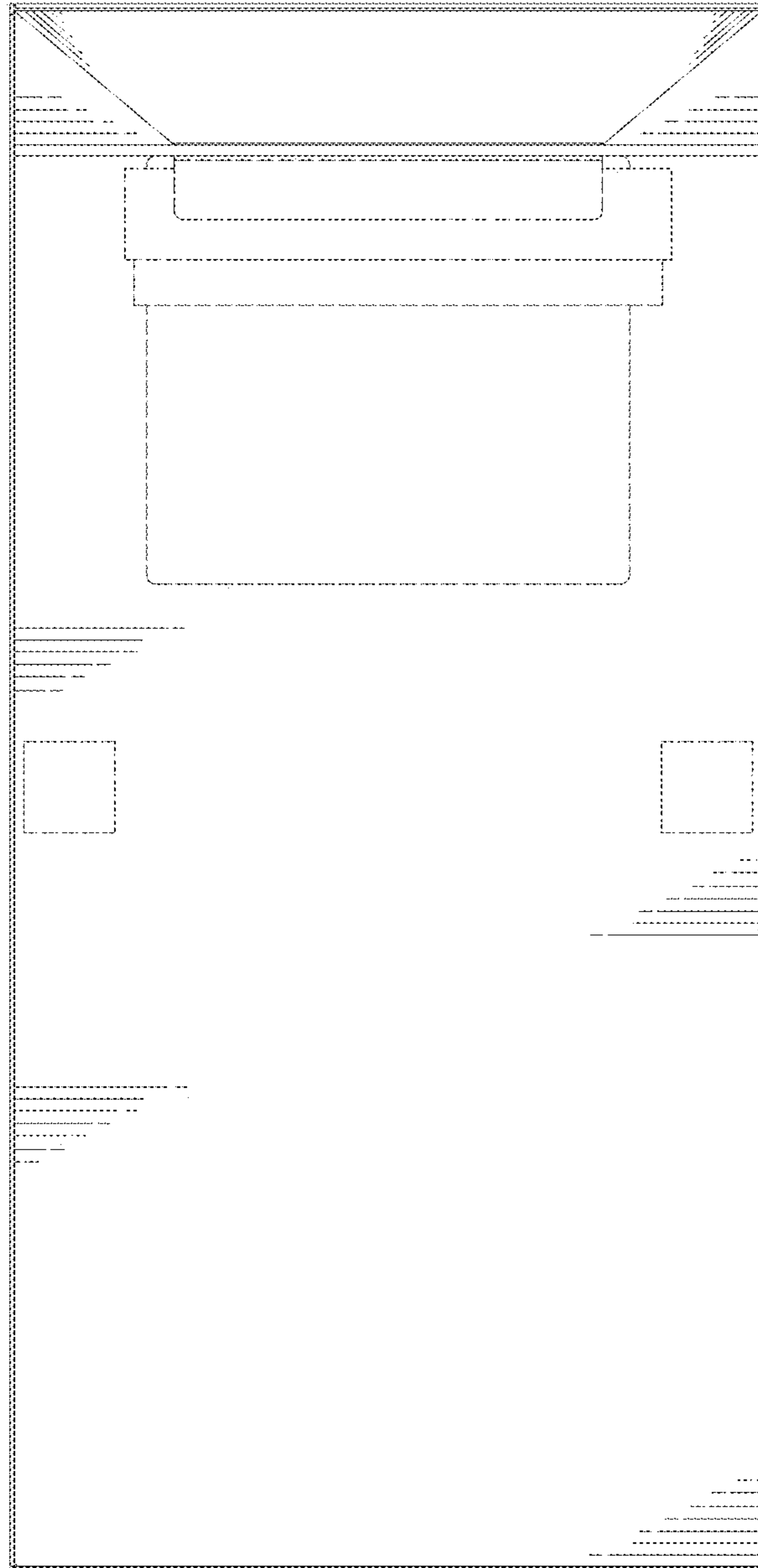


Fig. 5

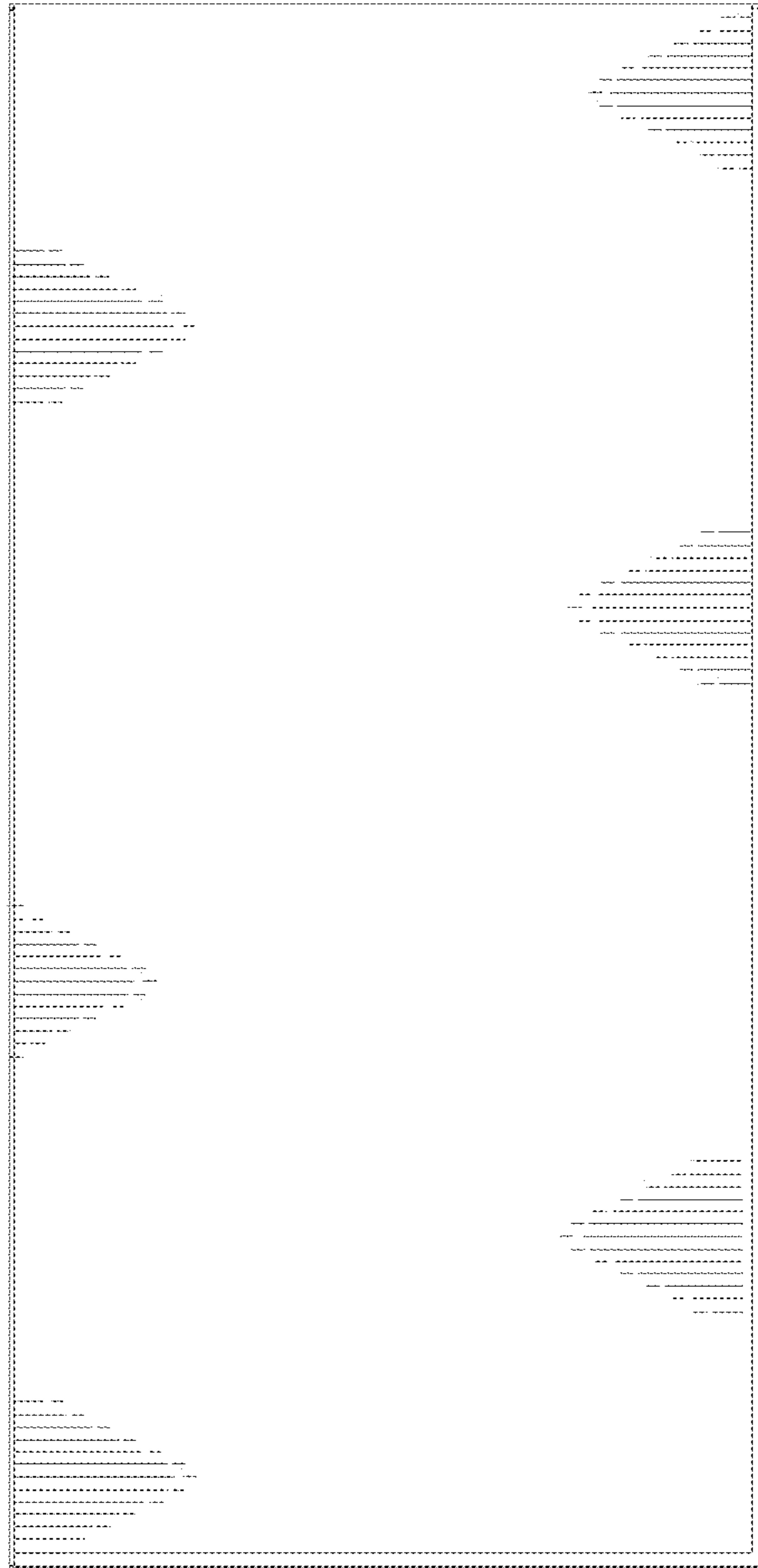


Fig. 6

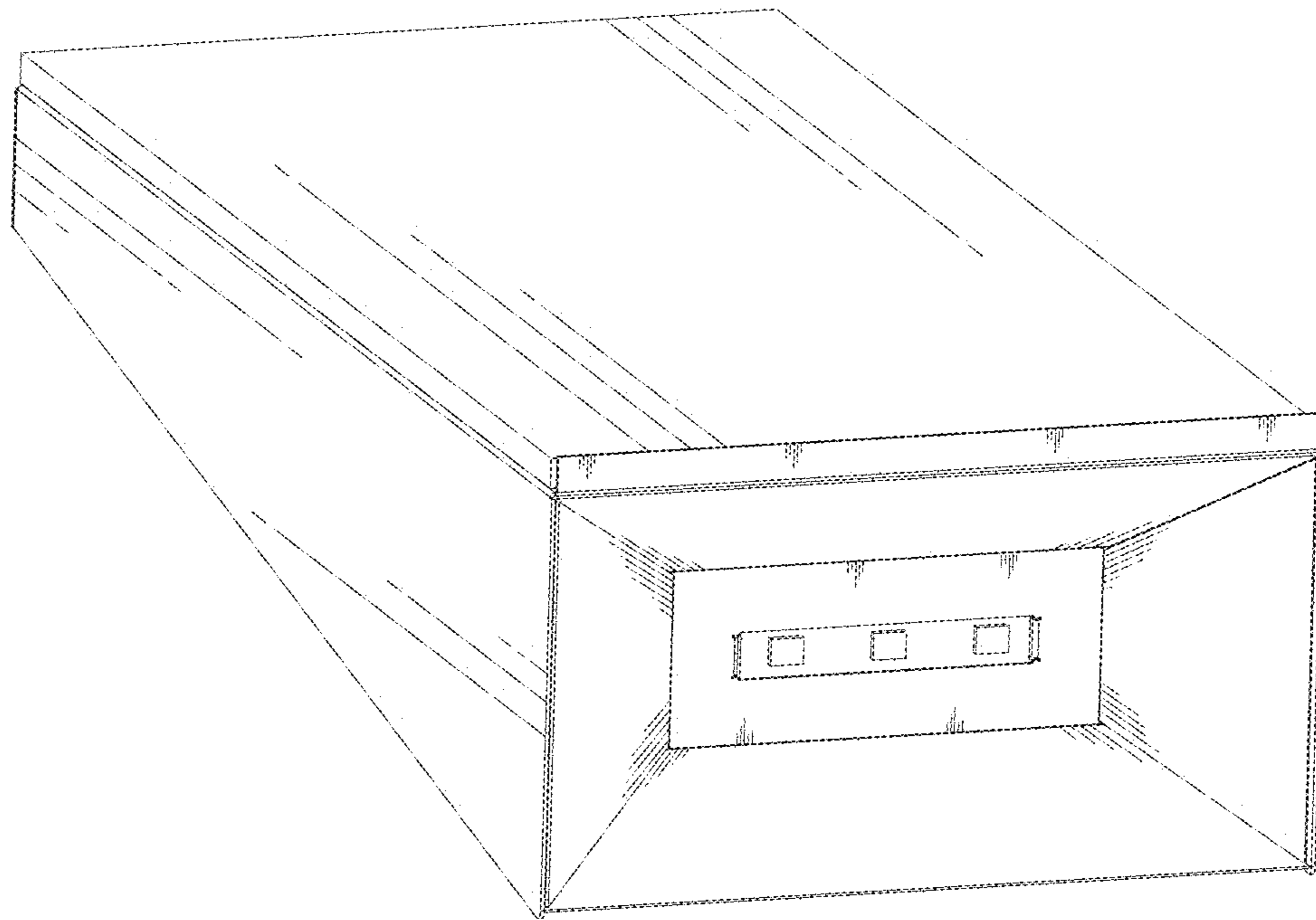


Fig. 7

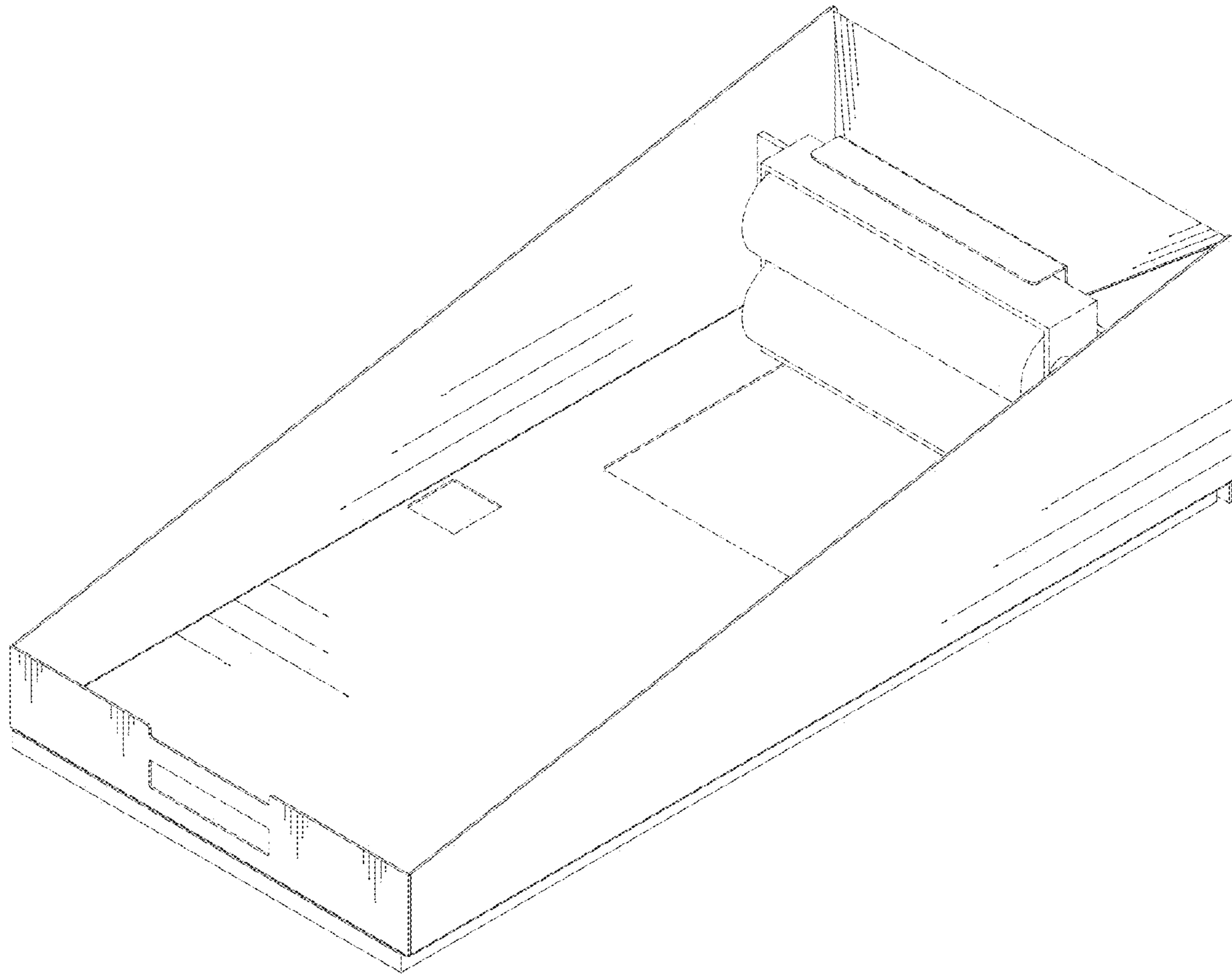


Fig. 8